



US00D717010S

(12) **United States Design Patent**
Jackson et al.

(10) **Patent No.:** **US D717,010 S**

(45) **Date of Patent:** **** Nov. 4, 2014**

(54) **PAIL**

D593,269 S * 5/2009 Weiler D32/53
D608,066 S * 1/2010 Pearl et al. D32/53
D688,018 S * 8/2013 Duquenoy et al. D32/53

(71) Applicant: **Pailpac Proprietary Limited**, New
Germany (ZA)

* cited by examiner

(72) Inventors: **Gavin Wayne Jackson**, Alverstone
(ZA); **Theodorus Daniel Moolman**, Salt
Rock (ZA)

Primary Examiner — Robin V Webster

(74) *Attorney, Agent, or Firm* — Osha Liang LLP

(73) Assignee: **Pailpac Proprietary Limited**, New
Germany (ZA)

(57)

CLAIM

The ornamental design for a pail, as shown and described.

(**) Term: **14 Years**

DESCRIPTION

(21) Appl. No.: **29/464,031**

(22) Filed: **Aug. 12, 2013**

(30) **Foreign Application Priority Data**

Feb. 12, 2013 (ZA) A2013/00297

Feb. 12, 2013 (ZA) A2013/00300

(51) **LOC (10) Cl.** **07-07**

(52) **U.S. Cl.**
USPC **D32/53**

(58) **Field of Classification Search**
USPC D32/53, 53.1, 54; 15/260–264; 220/904
See application file for complete search history.

(56) **References Cited**

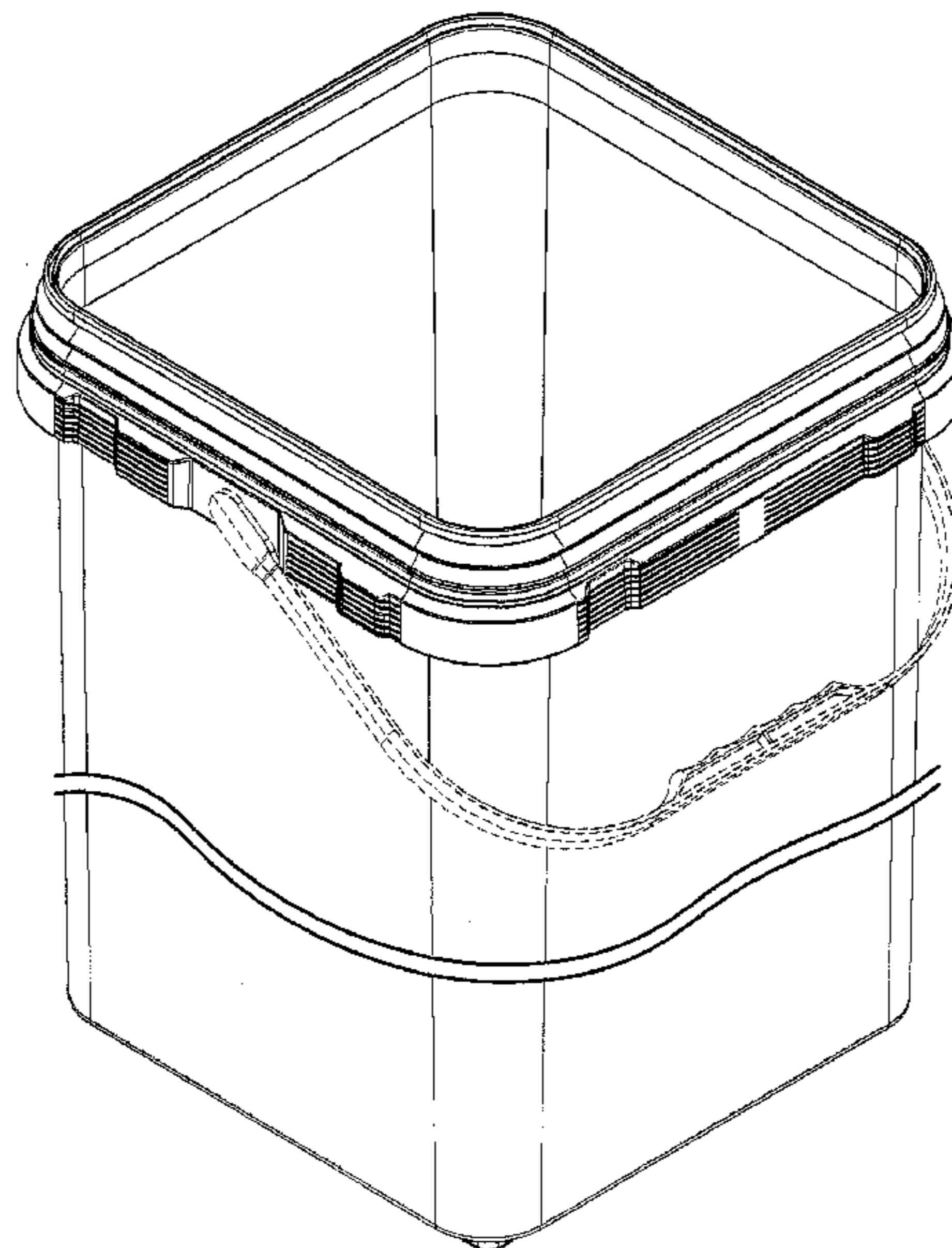
U.S. PATENT DOCUMENTS

D233,218 S * 10/1974 Lynn D32/53
3,866,791 A * 2/1975 Roper et al. 220/770
D295,093 S * 4/1988 Tapdrup D32/53
D327,555 S * 6/1992 Juergens D34/1
D506,608 S * 6/2005 Dong D3/276

FIG. 1 is a top perspective view of a pail incorporating our ornamental design;
FIG. 2 is a front view of the pail incorporating our ornamental design;
FIG. 3 is a rear view of the pail incorporating our ornamental design;
FIG. 4 is a side view of the pail incorporating our ornamental design;
FIG. 5 is an opposite side view of the pail incorporating our ornamental design;
FIG. 6 is a top view of the pail incorporating our ornamental design;
FIG. 7 is a bottom view of the pail incorporating our ornamental design;
FIG. 8 is a top perspective view of a pail incorporating an alternative embodiment of our ornamental design;
FIG. 9 is a front view of the pail of FIG. 8;
FIG. 10 is a rear view of the pail of FIG. 8;
FIG. 11 is a side view of the pail of FIG. 8;
FIG. 12 is an opposite side view of the pail of FIG. 8;
FIG. 13 is a top view of the pail of FIG. 8; and,
FIG. 14 is a bottom view of the pail of FIG. 8.

The broken line showing of a handle (B) is included for the purpose of illustrating environmental structure and forms no part of the claimed design. The article is shown broken away in the horizontal dimension to indicate an unclaimed width.

1 Claim, 14 Drawing Sheets



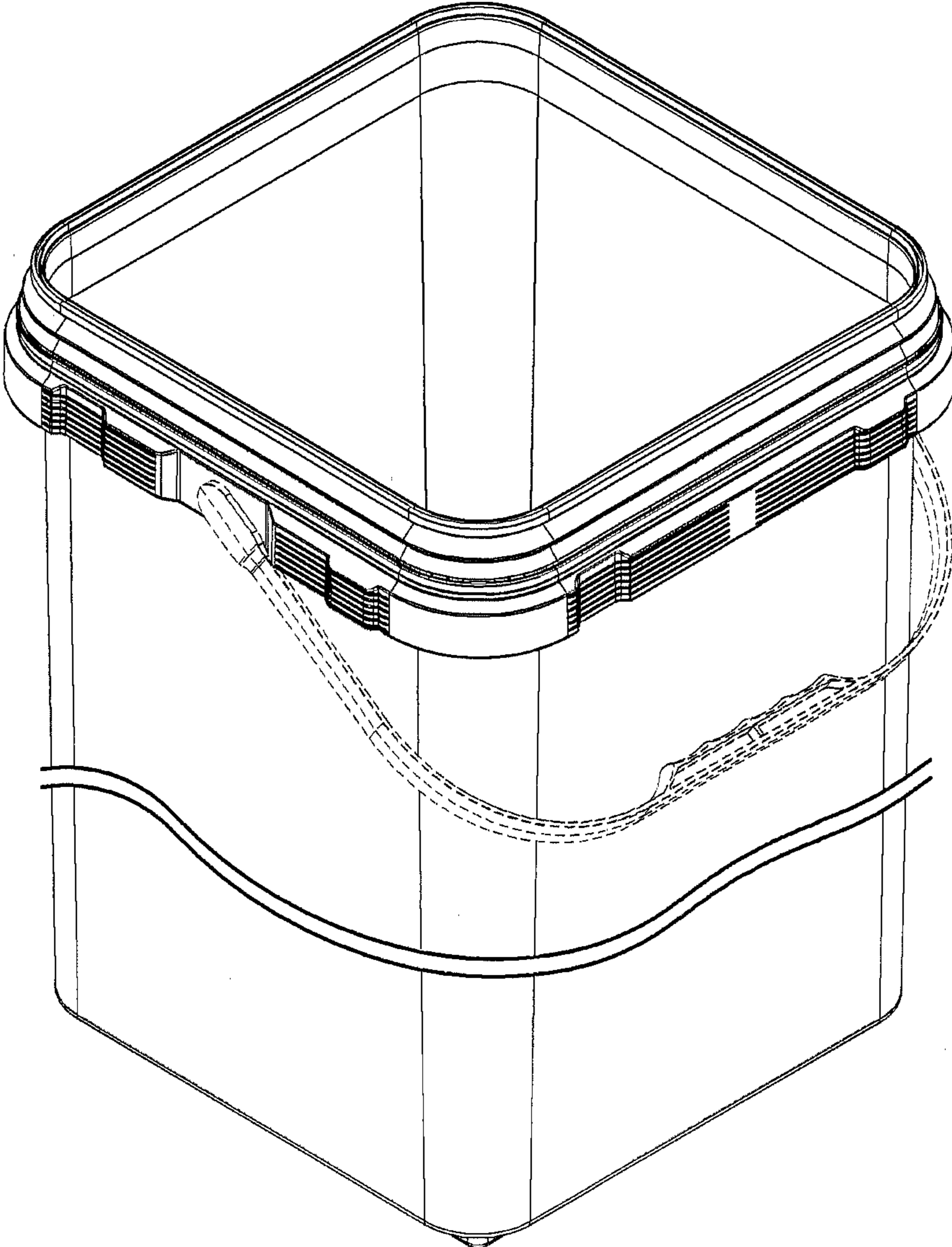


FIG 1

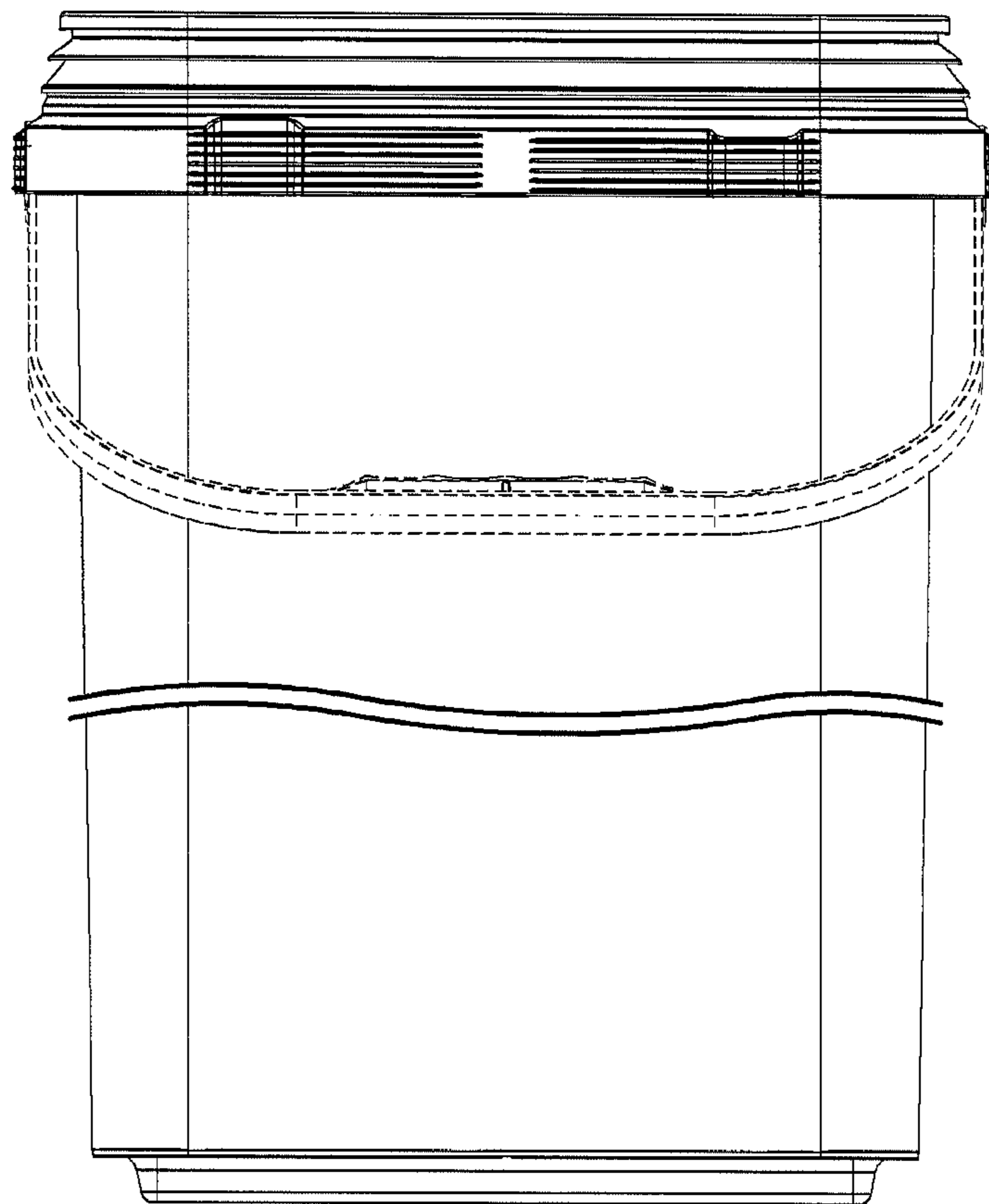


FIG 2

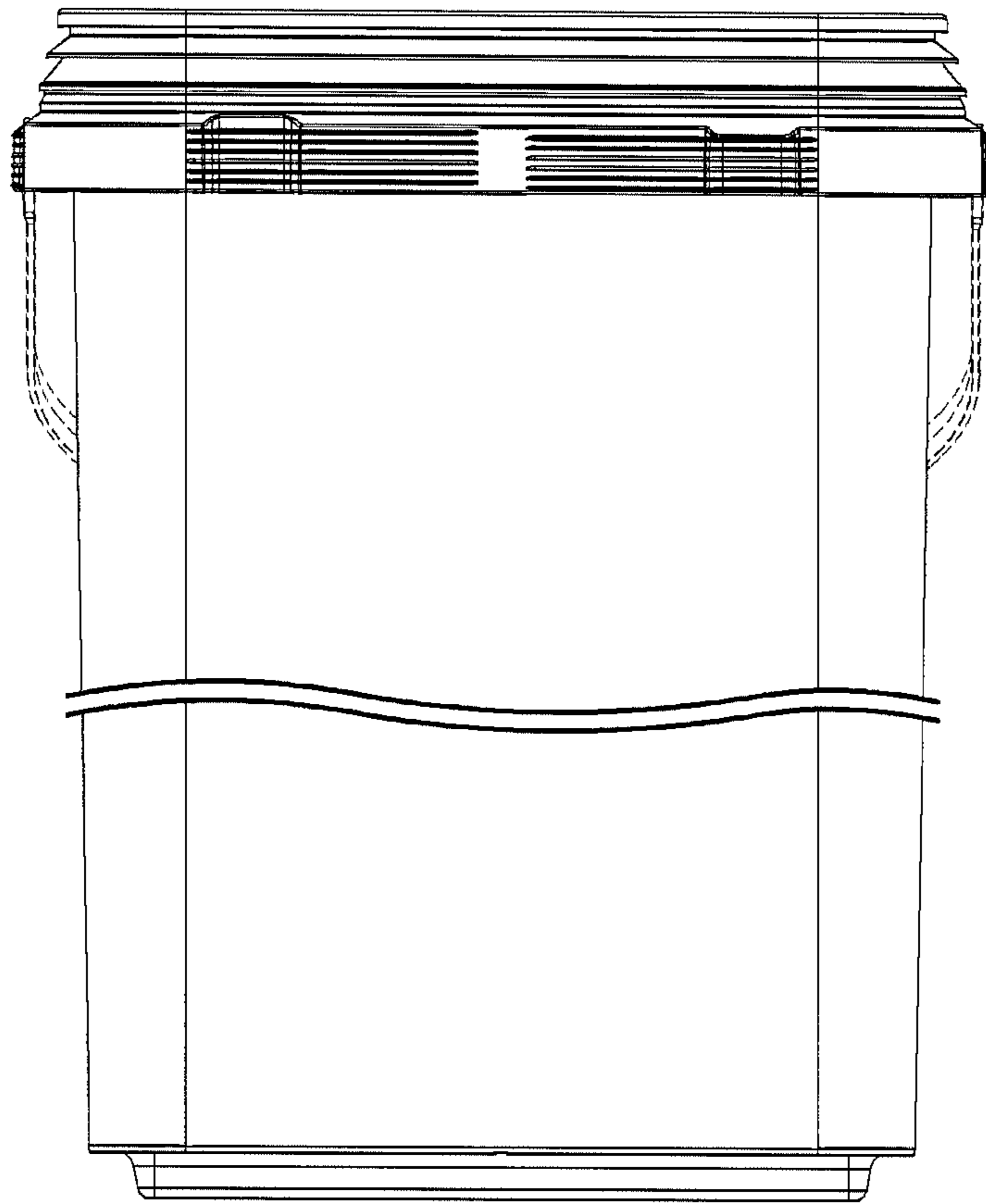


FIG 3

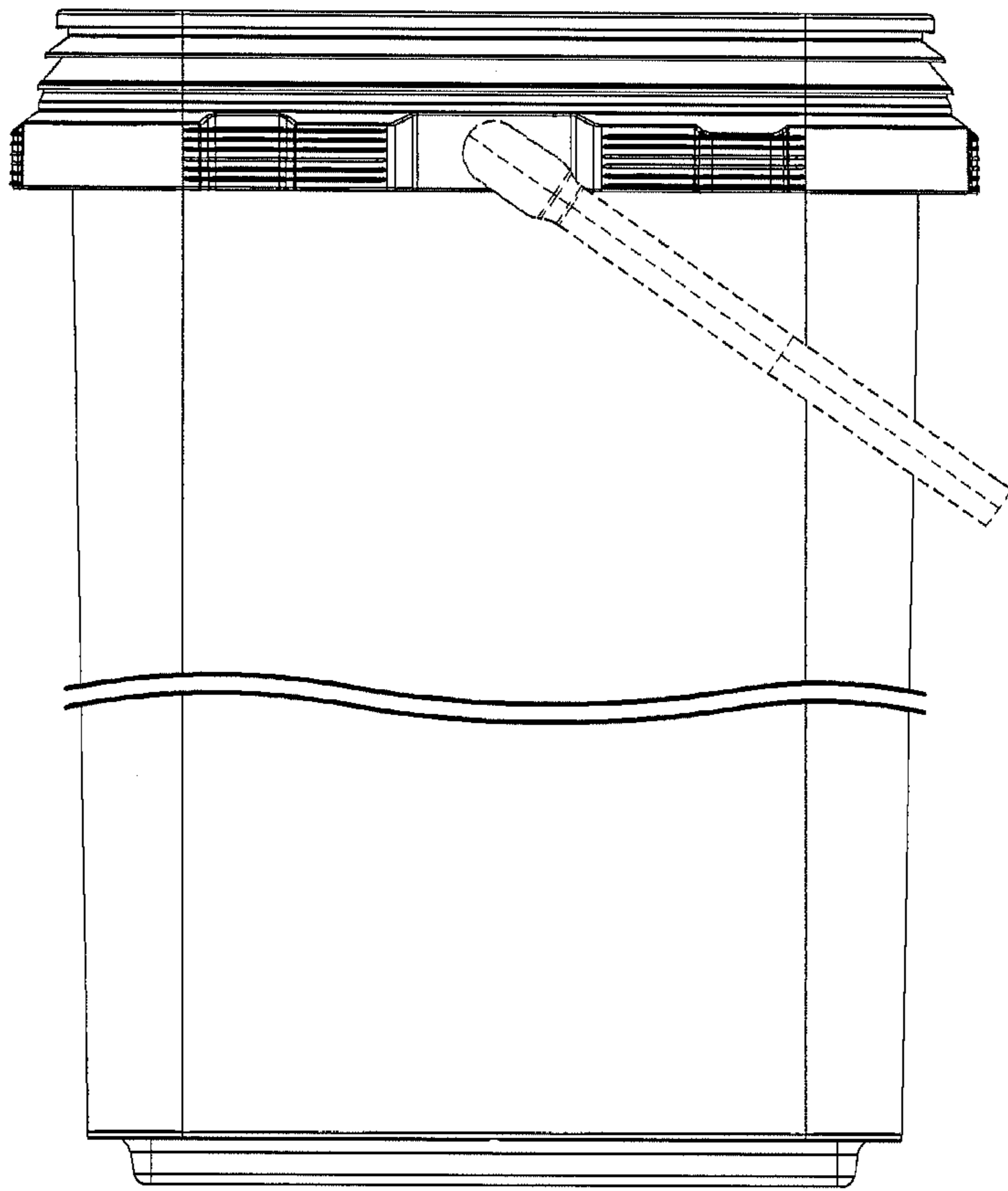


FIG 4

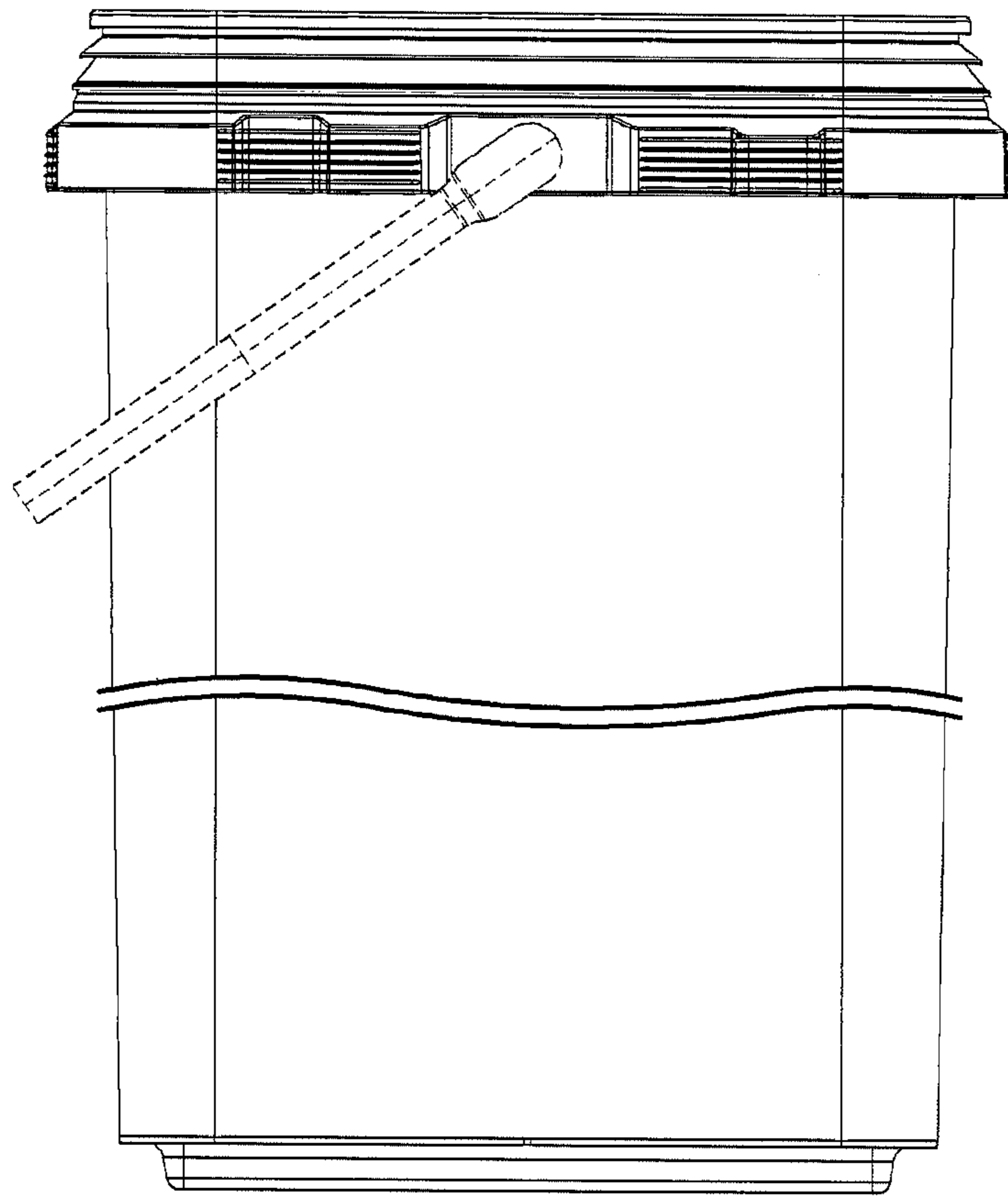


FIG 5

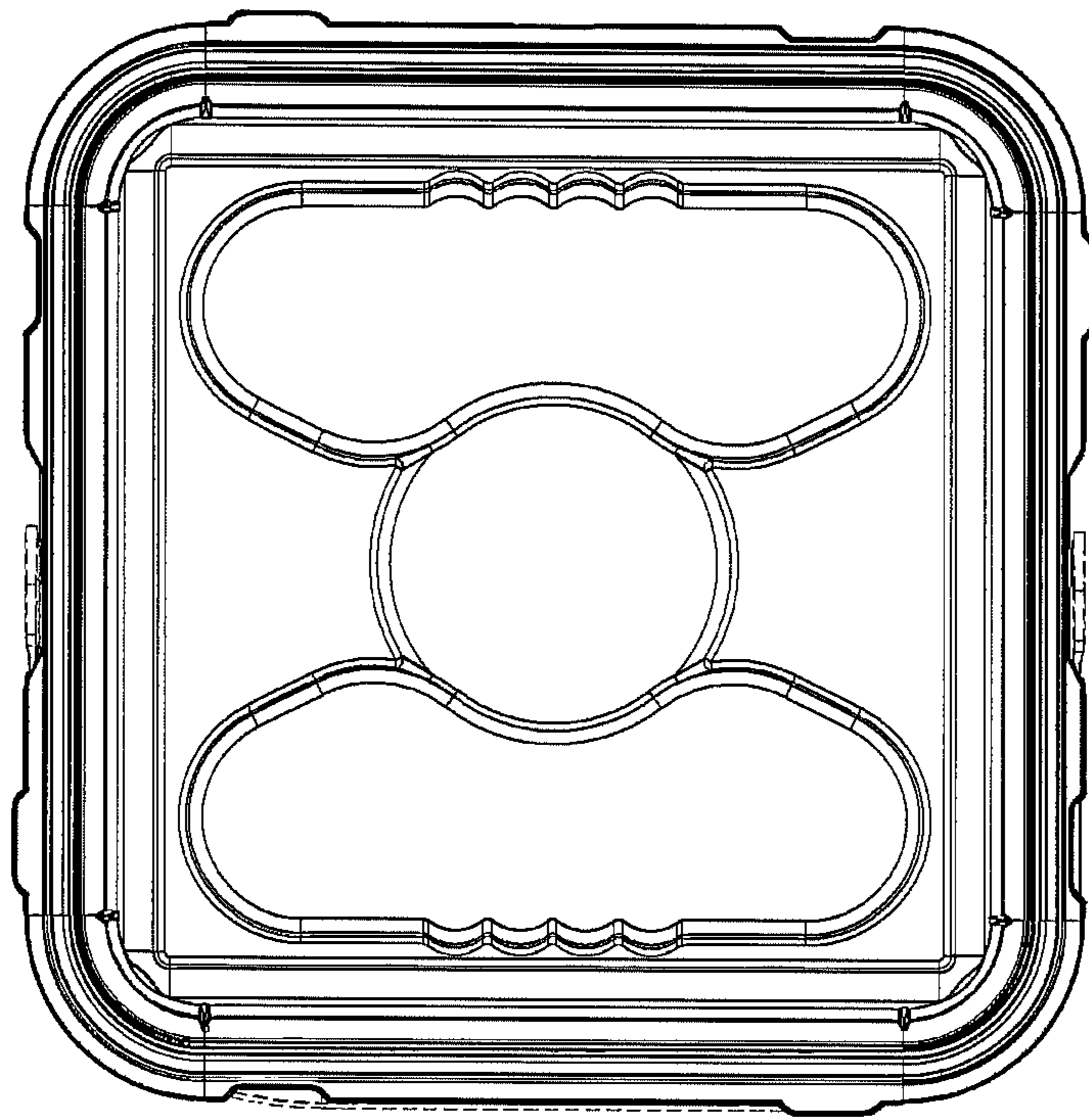


FIG 6

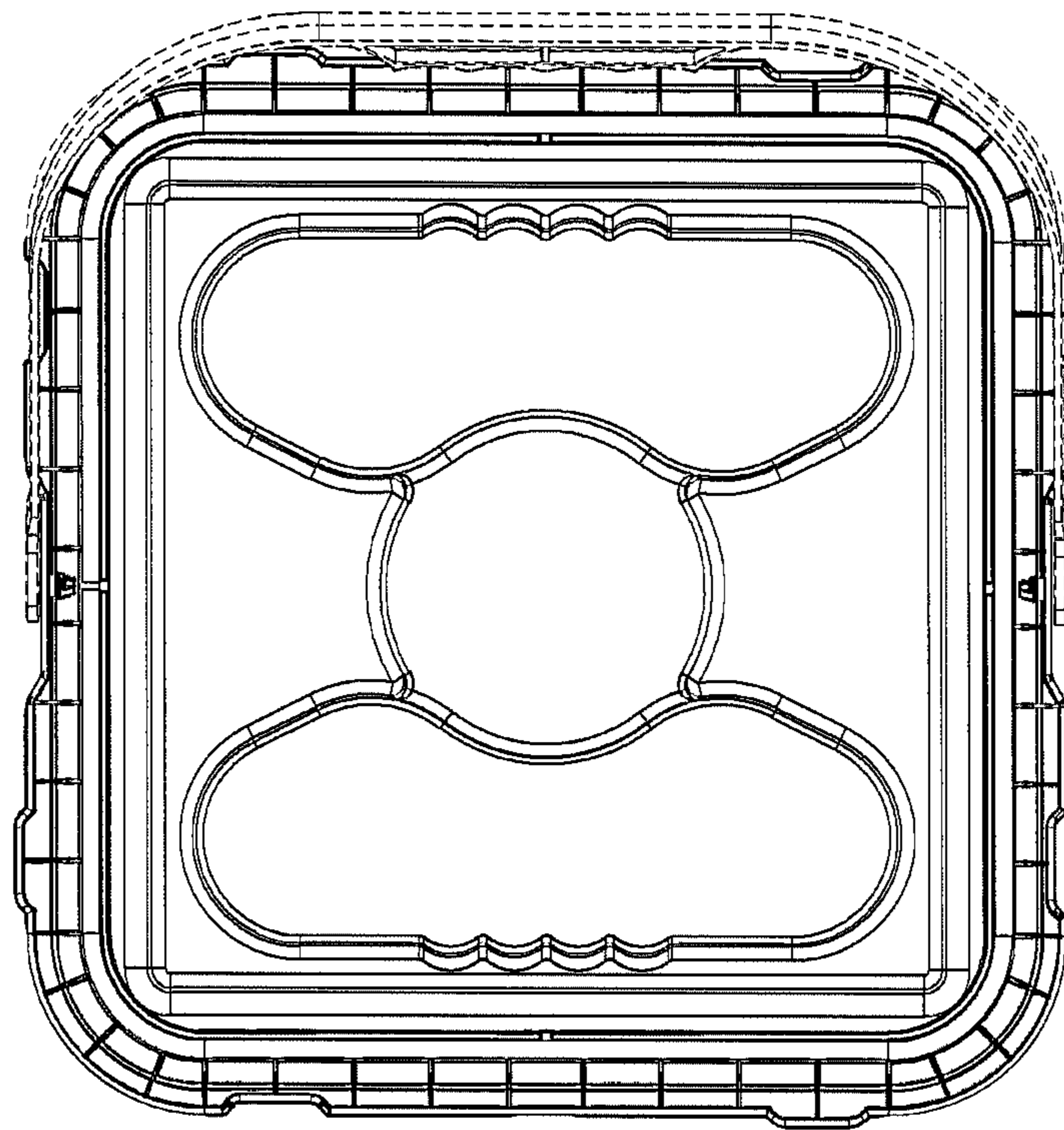


FIG 7

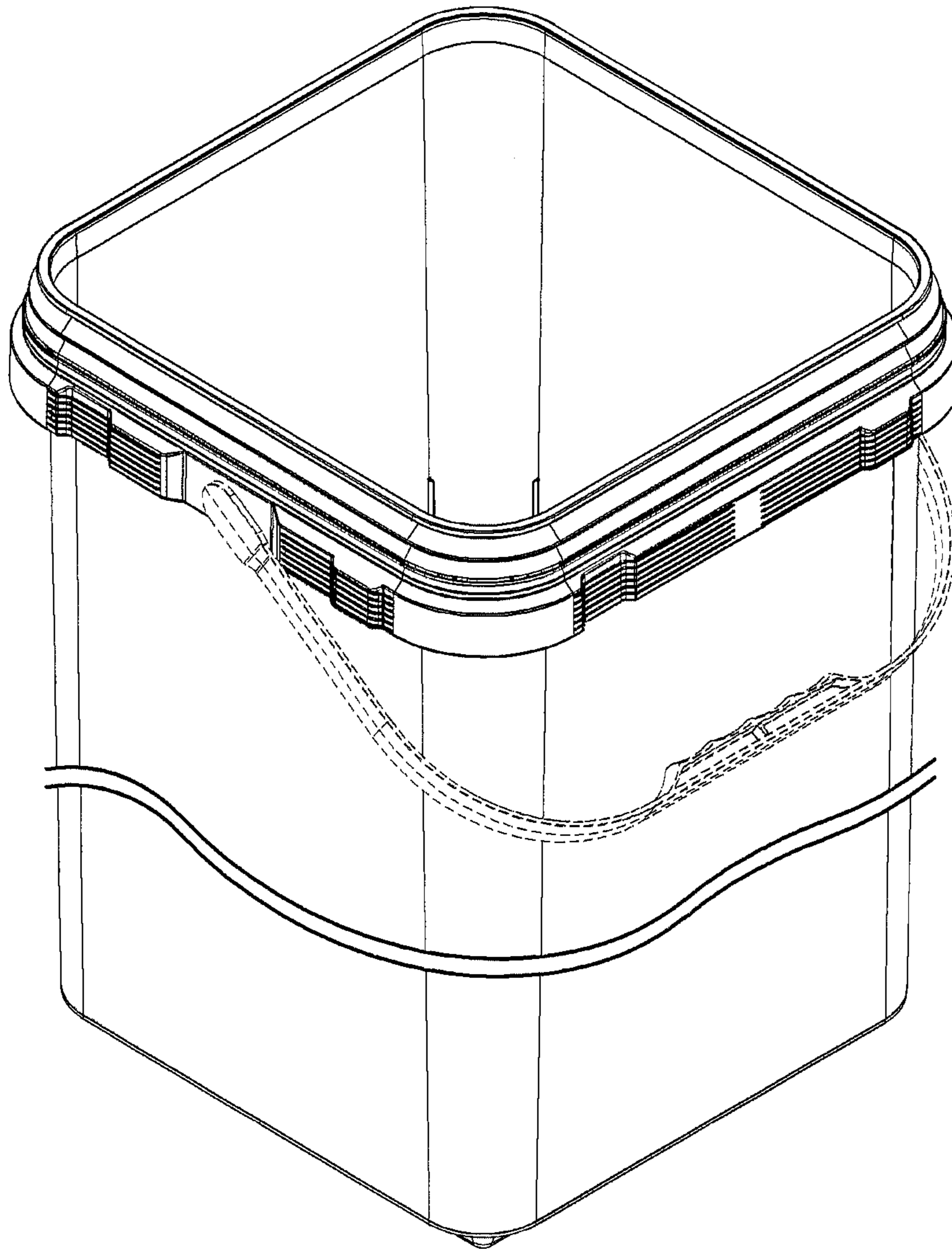


FIG 8

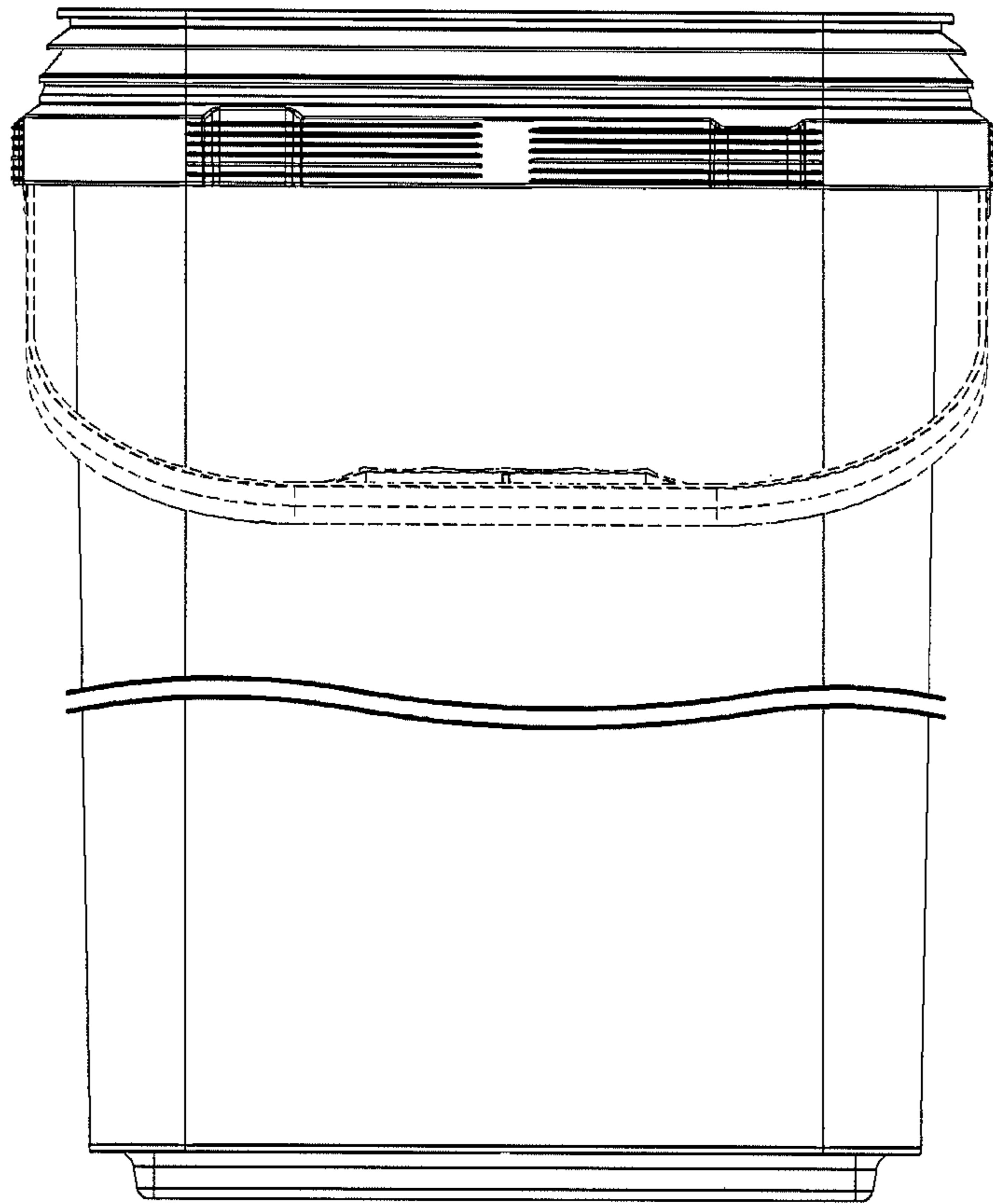


FIG 9

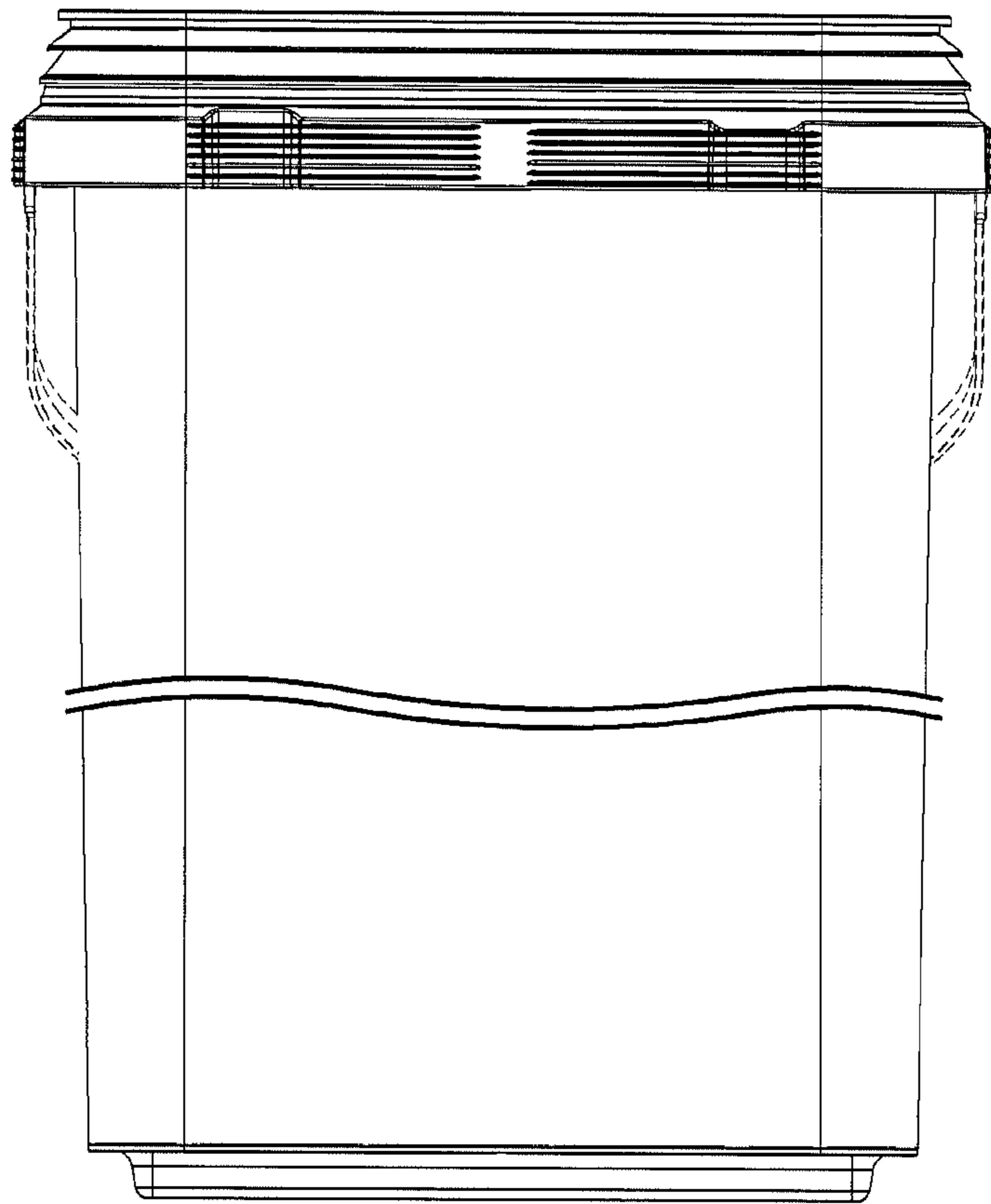


FIG 10

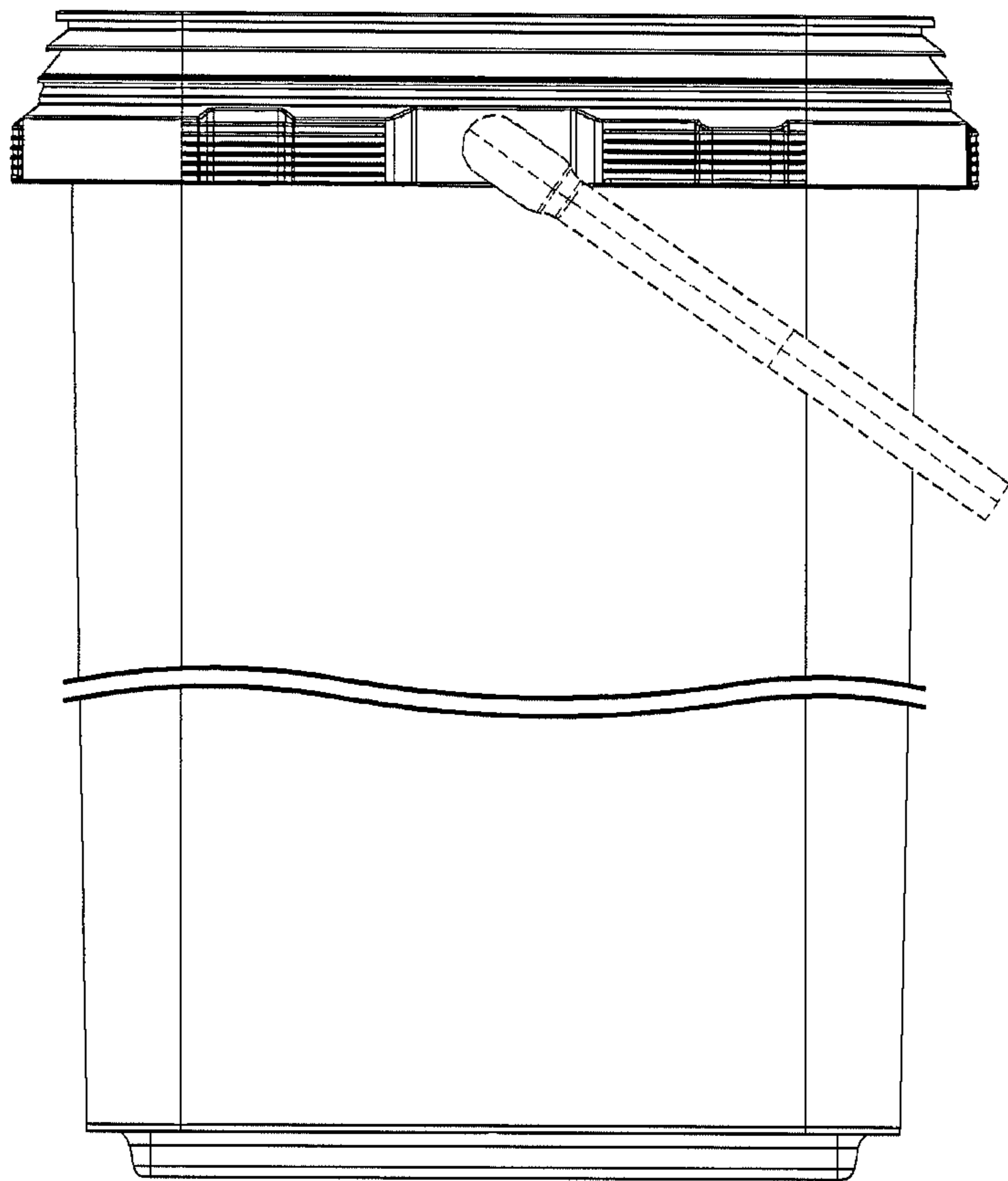


FIG 11

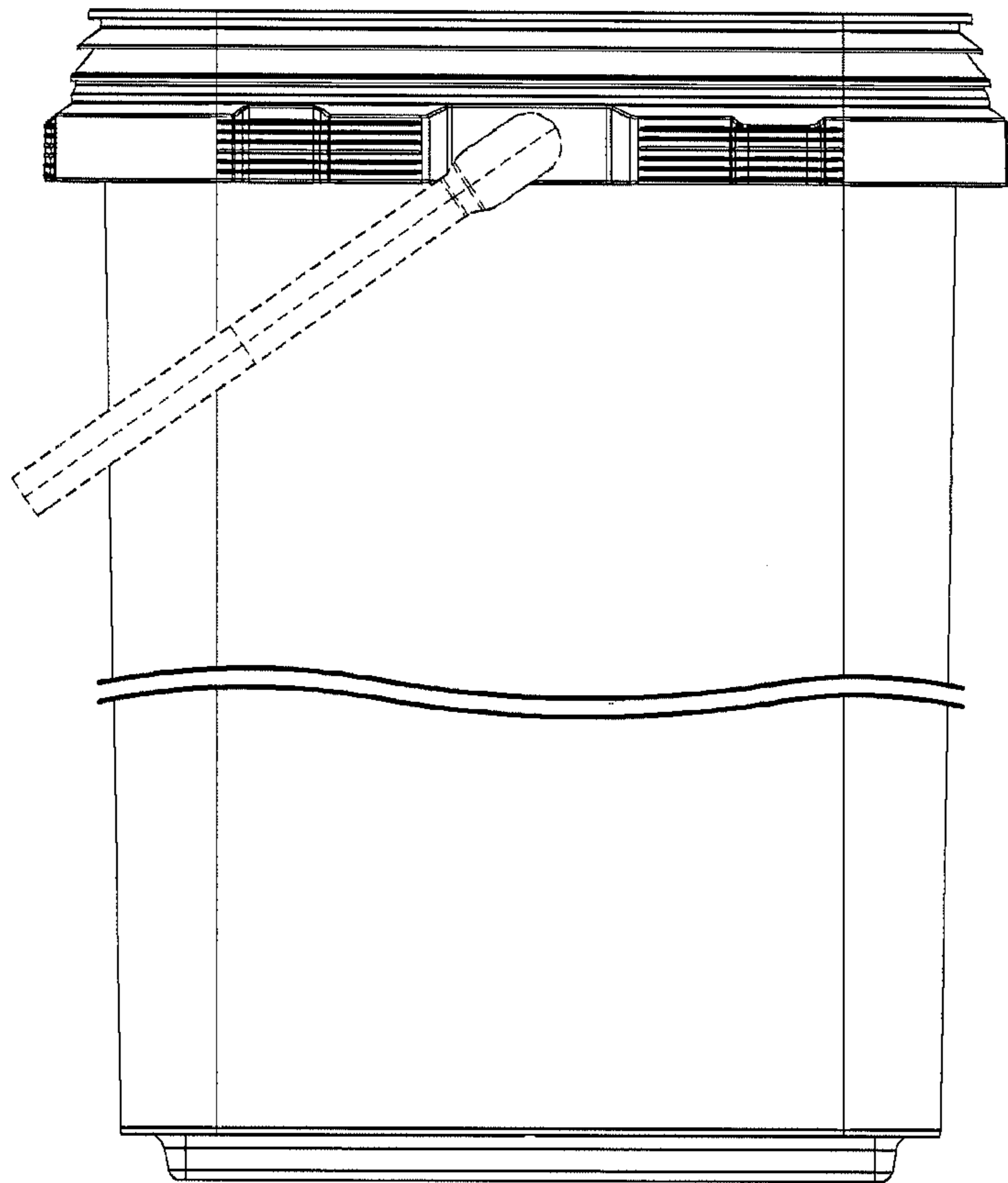


FIG 12

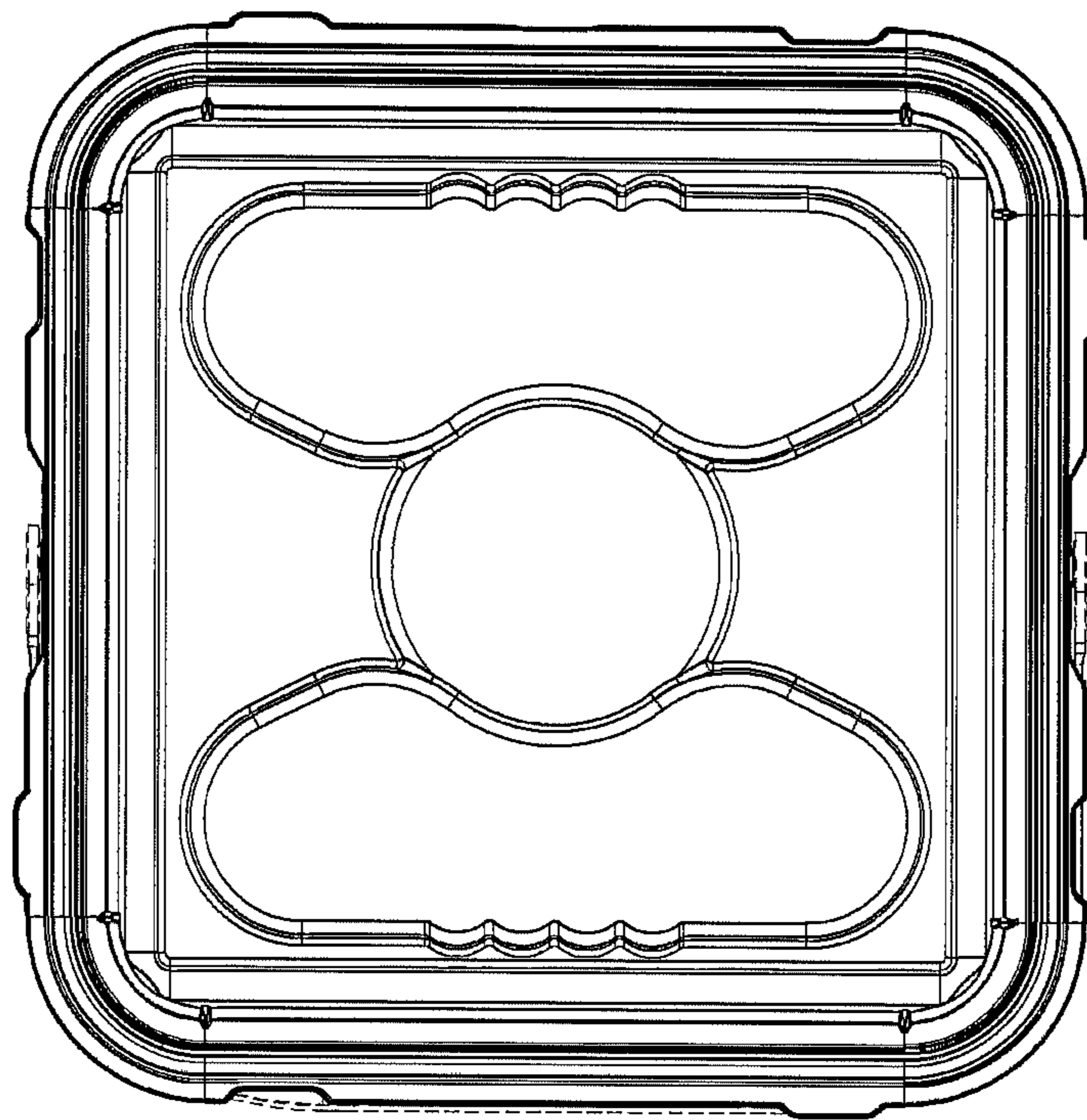


FIG 13

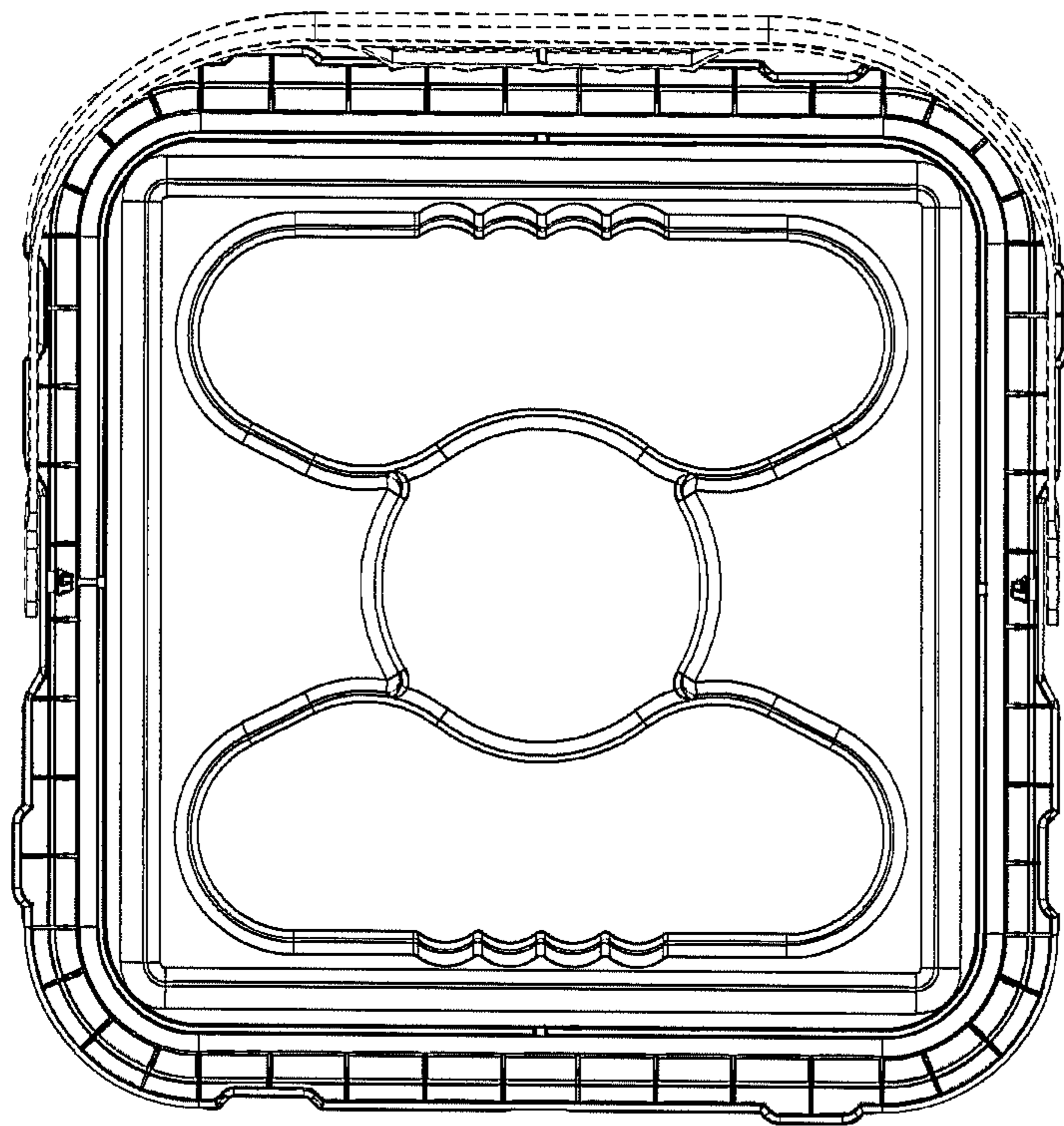


FIG 14

UNITED STATES PATENT AND TRADEMARK OFFICE
CERTIFICATE OF CORRECTION

PATENT NO. : D717,010 S
APPLICATION NO. : 29/464031
DATED : November 4, 2014
INVENTOR(S) : Gavin Wayne Jackson et al.

Page 1 of 1

It is certified that error appears in the above-identified patent and that said Letters Patent is hereby corrected as shown below:

Title Page

Description, under Fig. 14, line 1, "showing of a handle (B) is included" should be
--showing of a handle is included--.

Signed and Sealed this
Twenty-sixth Day of May, 2015



Michelle K. Lee
Director of the United States Patent and Trademark Office