



US00D717007S

(12) **United States Design Patent**
Miksovsky et al.

(10) **Patent No.:** **US D717,007 S**
(45) **Date of Patent:** **** Nov. 4, 2014**

- (54) **LEASH**
- (71) Applicant: **Pawgear, Inc.**, San Francisco, CA (US)
- (72) Inventors: **Christopher A. Miksovsky**, San Francisco, CA (US); **Clint N. Slone**, San Francisco, CA (US)
- (73) Assignee: **Pawgear, Inc.**, San Francisco, CA (US)
- (**) Term: **14 Years**
- (21) Appl. No.: **29/458,420**
- (22) Filed: **Jun. 19, 2013**
- (51) **LOC (10) Cl.** **30-04**
- (52) **U.S. Cl.**
USPC **D30/153**
- (58) **Field of Classification Search**
CPC ... A01K 27/00; A01K 27/003; A01K 27/004;
A01K 27/005; A01K 27/006; A01K 27/008
USPC D30/144, 151, 152, 153, 199; 119/712,
119/720, 769, 770, 771, 772, 792, 793, 794,
119/795, 797, 798
See application file for complete search history.

(56) **References Cited**

U.S. PATENT DOCUMENTS

3,332,398	A *	7/1967	Mintz	119/797
3,603,295	A *	9/1971	Shuman	119/795
4,763,609	A *	8/1988	Kulik	119/797
5,038,719	A *	8/1991	McDonough	119/772
5,146,876	A *	9/1992	McPhail	119/798
5,361,726	A *	11/1994	Harris et al.	119/797
5,456,213	A *	10/1995	Beauchamp	119/793
5,806,467	A *	9/1998	Arakawa	119/771
6,467,437	B2 *	10/2002	Donovan et al.	119/798
6,532,903	B2 *	3/2003	Prusia et al.	119/792
6,626,131	B2 *	9/2003	Moulton, III	119/770
6,834,621	B1 *	12/2004	O'Neill	119/771

6,851,393	B2 *	2/2005	Bremm	119/770
7,096,827	B2 *	8/2006	Sporn	119/797
7,743,735	B2 *	6/2010	Weinberg	119/795

(Continued)

OTHER PUBLICATIONS

Photo 1 of a Soft Trainer Leash, Jul. 2009.

(Continued)

Primary Examiner — Martie K Holtje

(74) *Attorney, Agent, or Firm* — Beyer Law Group LLP

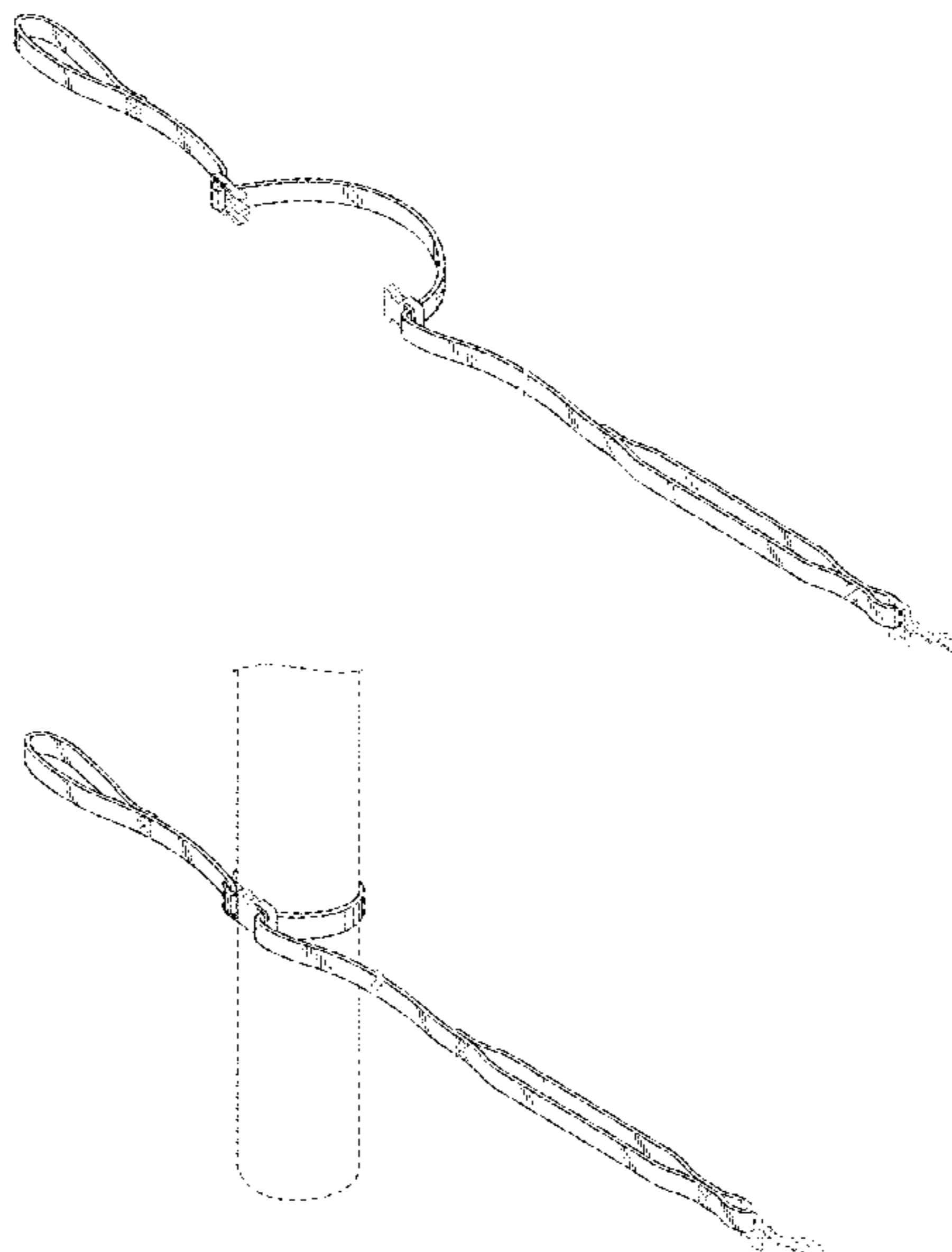
(57) **CLAIM**

We claim the ornamental design for a leash, substantially as shown and described.

DESCRIPTION

FIG. 1 is a left front perspective view of a leash showing our new design;
 FIG. 2 is a left side elevational view thereof;
 FIG. 3 is a left front perspective view thereof in an alternate configuration;
 FIG. 4 is a left front perspective view thereof in a second alternate configuration;
 FIG. 5 is a front elevational view in a fully extended configuration;
 FIG. 6 is a rear elevational view of FIG. 5; and,
 FIG. 7 is a left side elevational view of FIG. 5, the right side elevational view being a mirror image thereof.
 The structural features depicted by broken lines have been shown for the purpose of illustrating portions of the leash that form no part of the claimed design.
 The cylindrical structure in FIGS. 3 and 4 has been shown for the purpose of illustrating an environmental feature that forms no part of the claimed design.
 The thin solid lines in the drawing have been provided to illustrate flat and contoured surfaces and are not a claimed surface pattern.

1 Claim, 7 Drawing Sheets



(56)

References Cited

OTHER PUBLICATIONS

U.S. PATENT DOCUMENTS

D654,231	S *	2/2012	Clayton	D30/153
8,267,050	B1 *	9/2012	Hatcher et al.	119/797
2002/0023595	A1 *	2/2002	Kaufman	119/797
2006/0266301	A1 *	11/2006	Perkitny	119/770
2012/0037091	A1 *	2/2012	Wang	119/793

Photo 2 of a leash, Jul. 2009.

Photo 3 of a leash and collar, Jul. 2009.

* cited by examiner

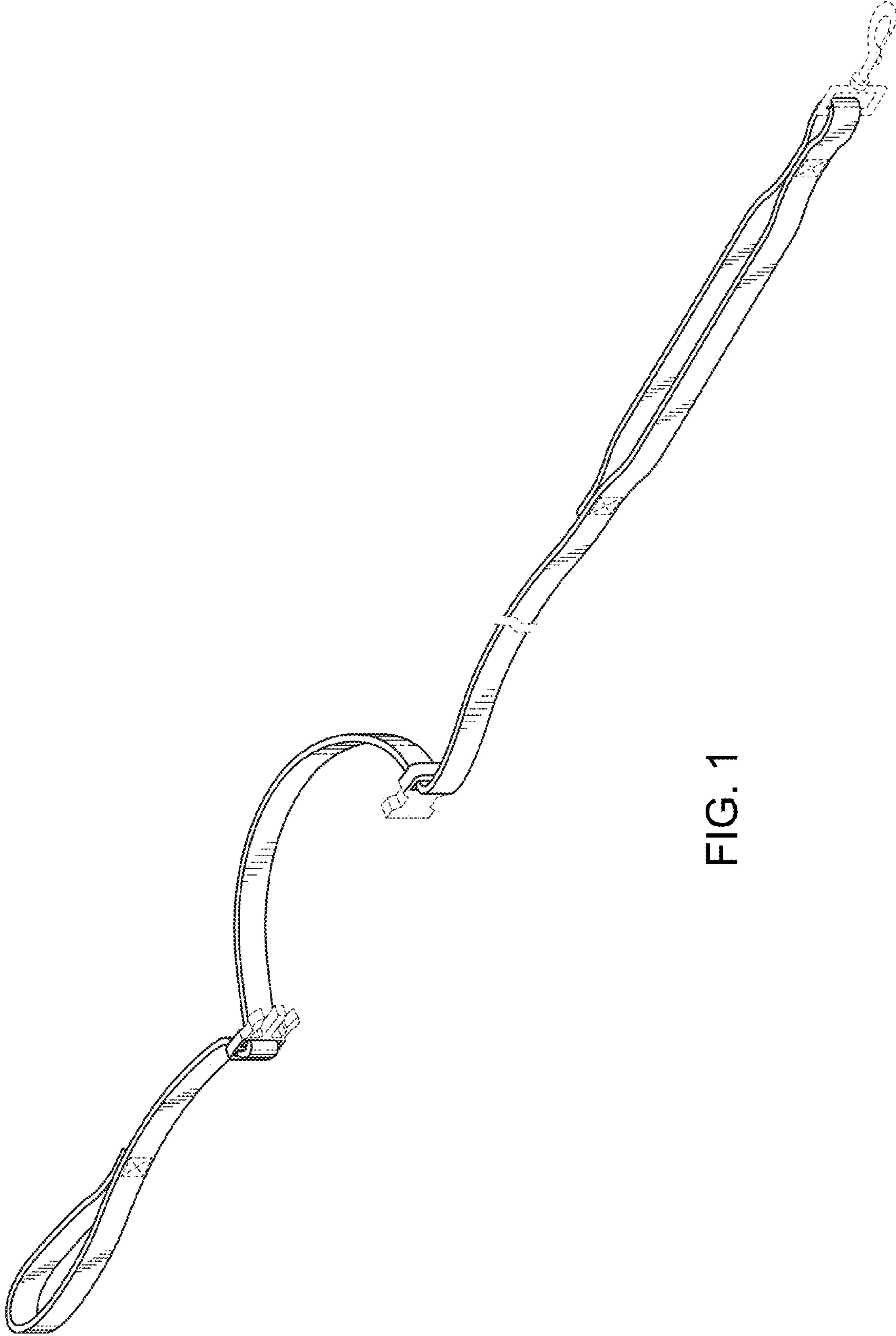


FIG. 1

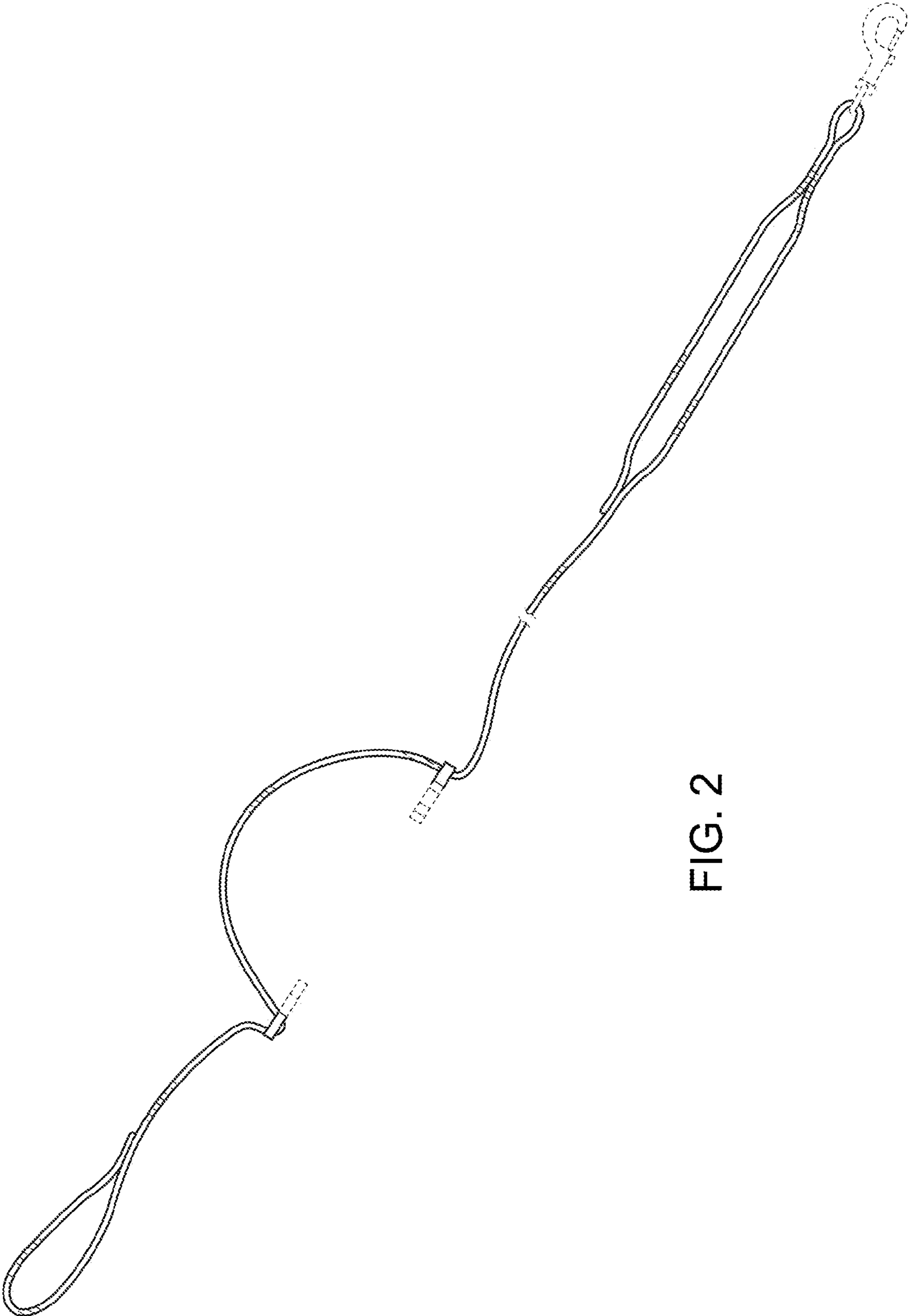


FIG. 2

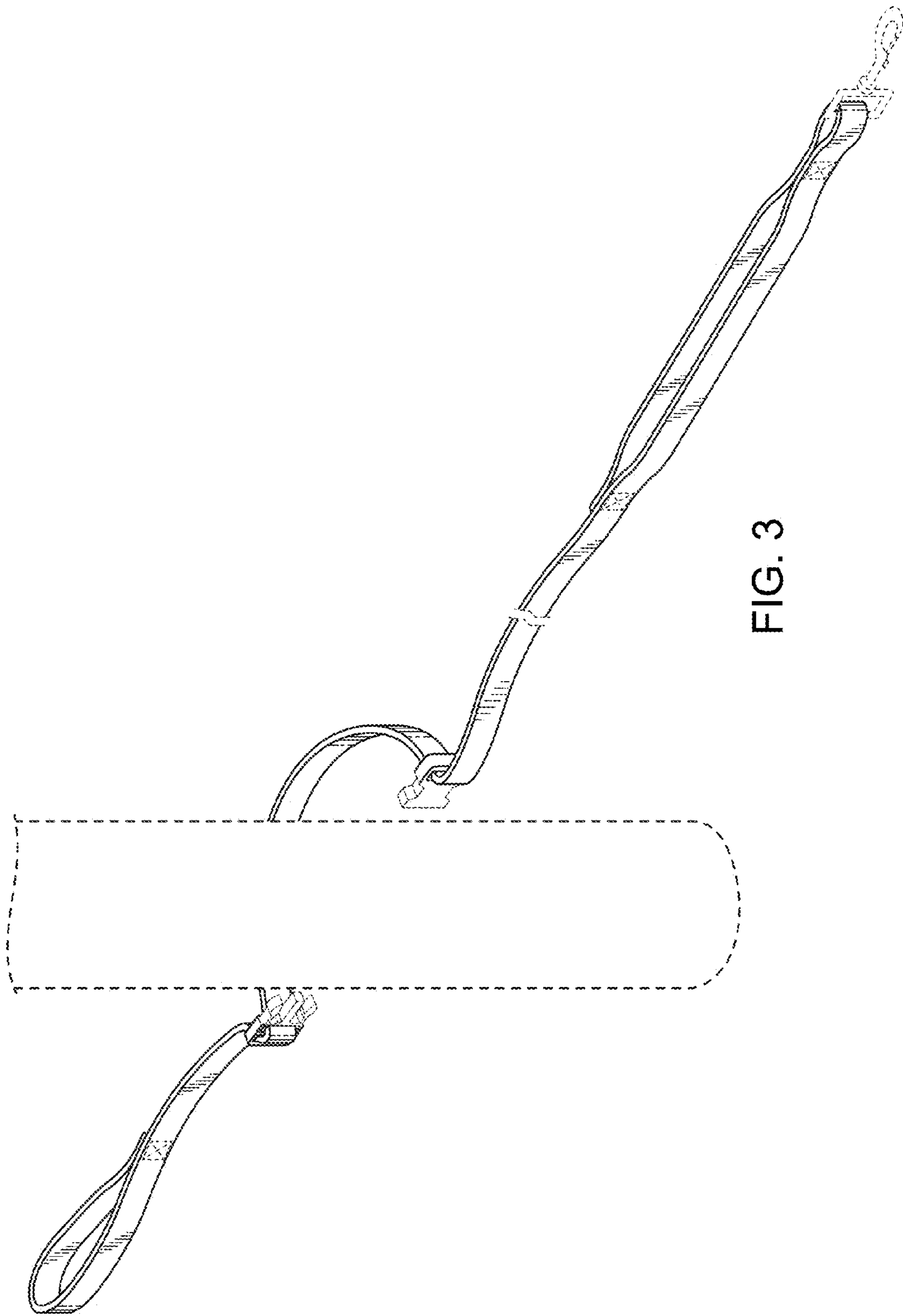


FIG. 3

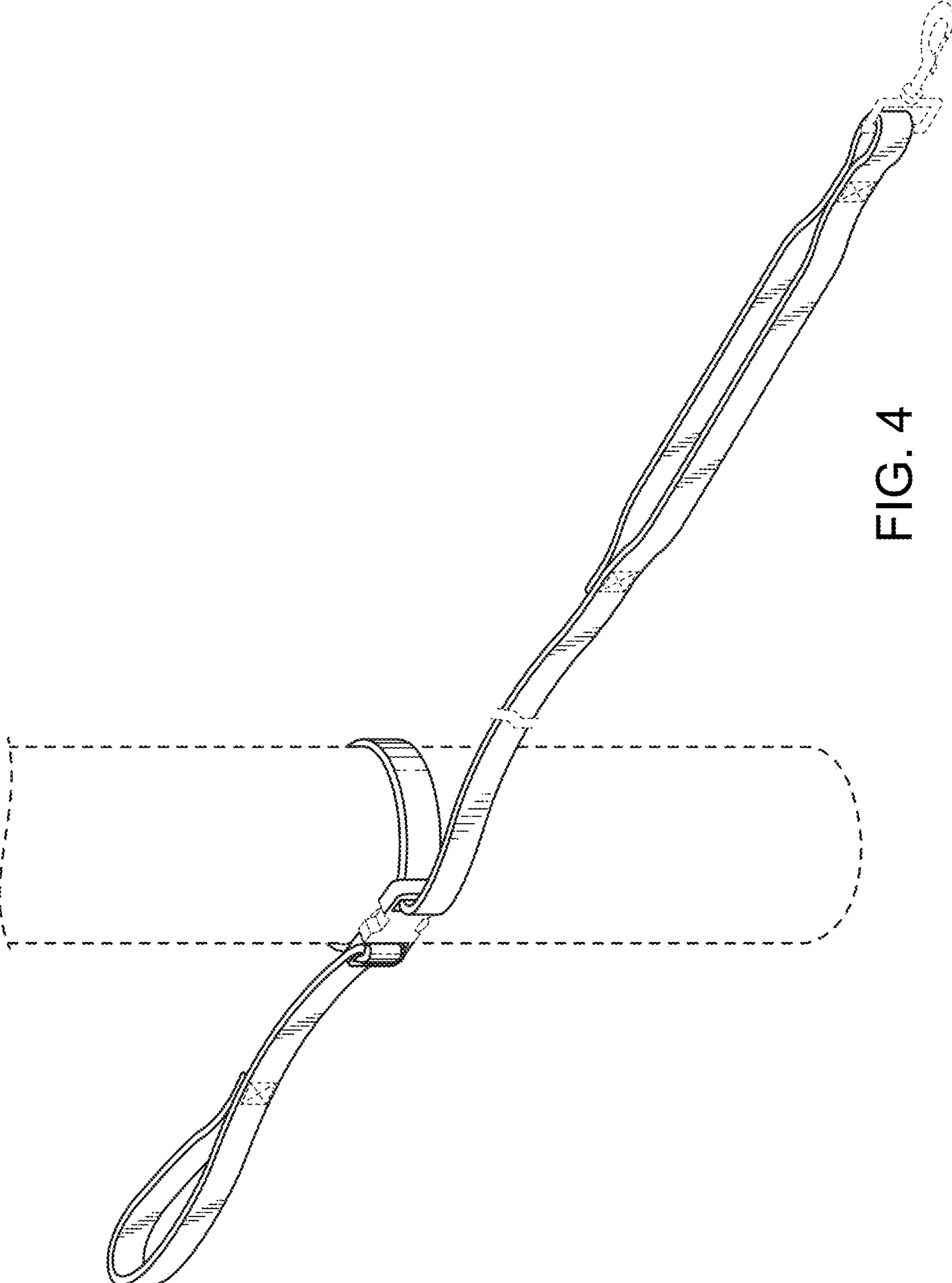


FIG. 4

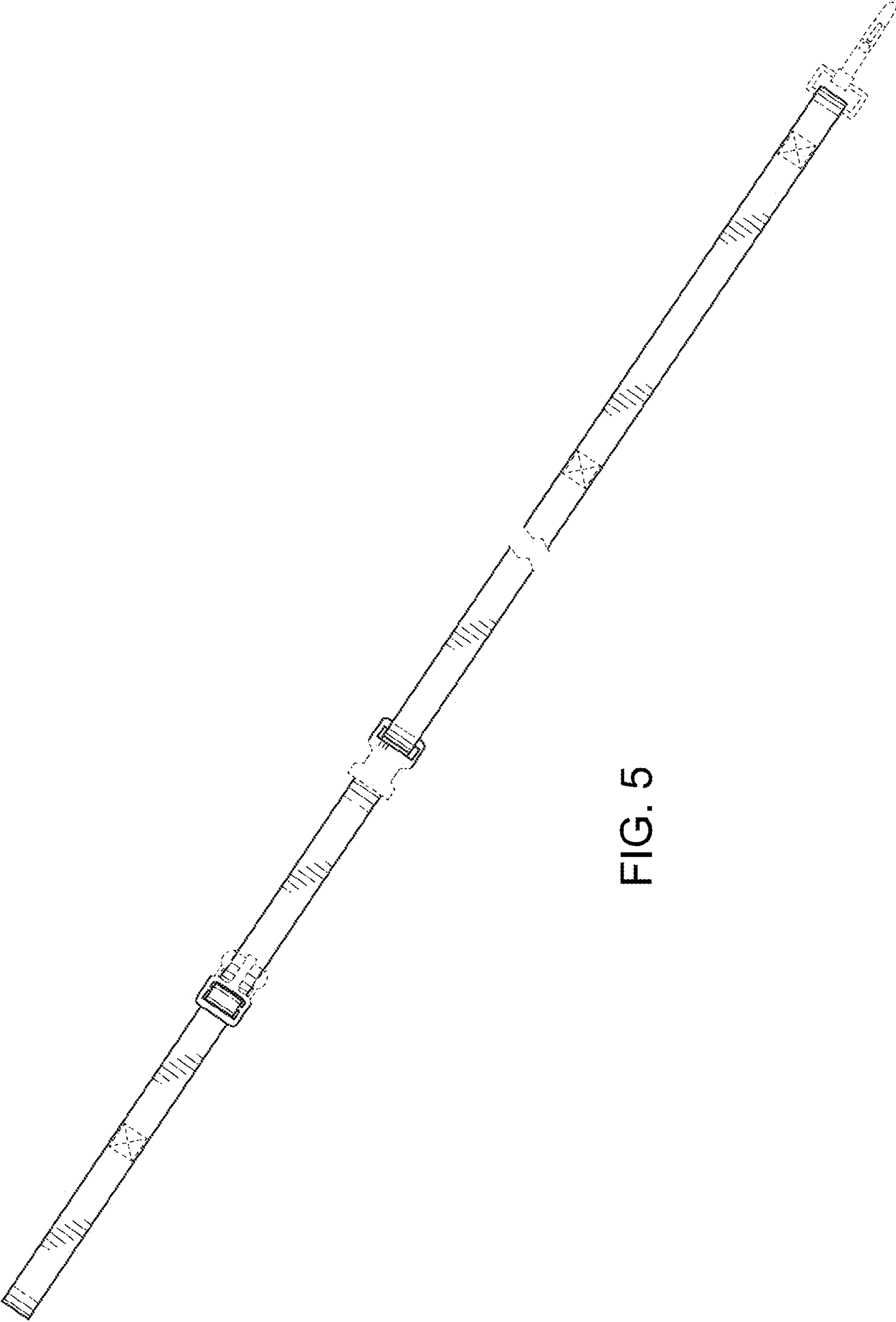


FIG. 5

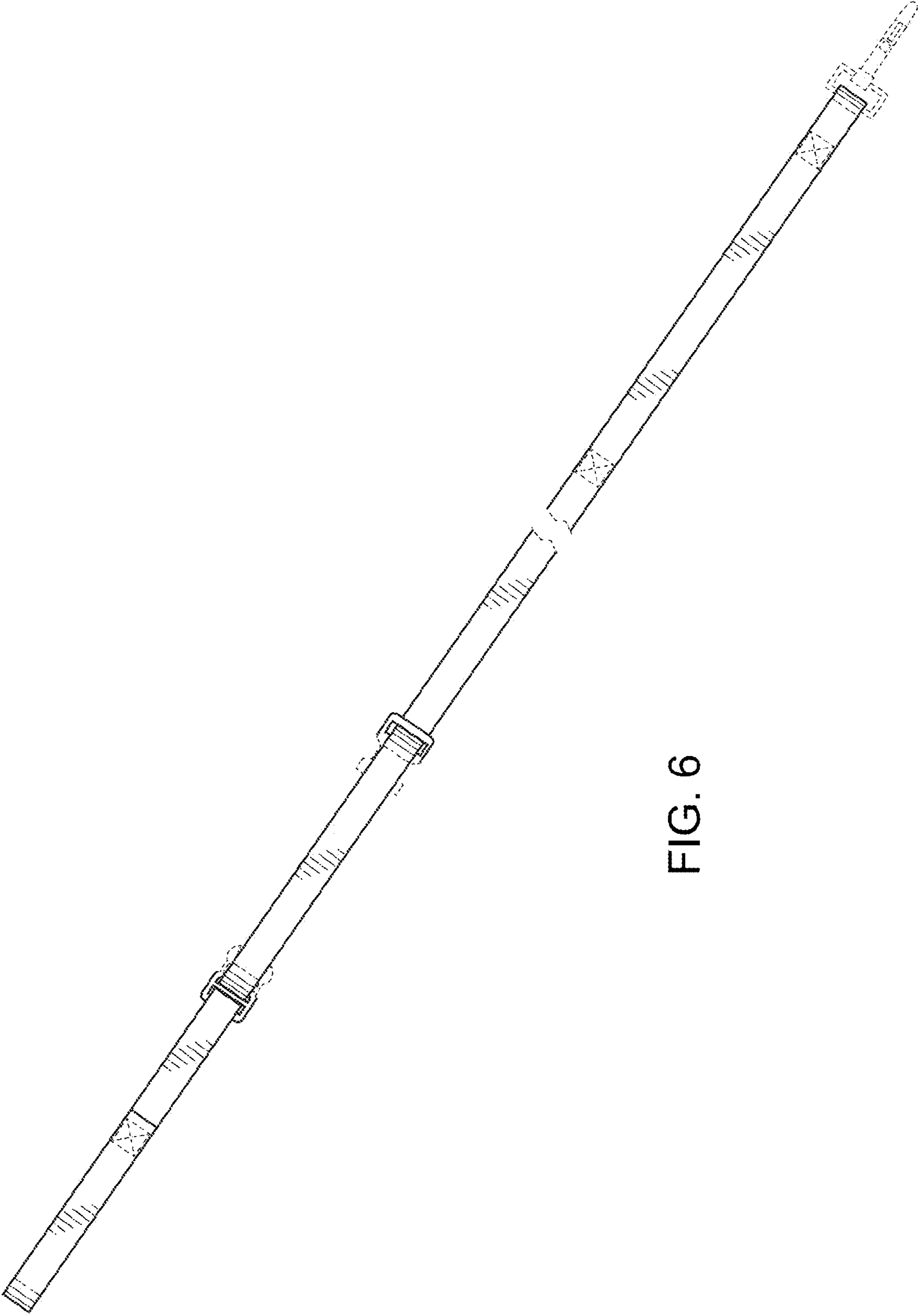


FIG. 6

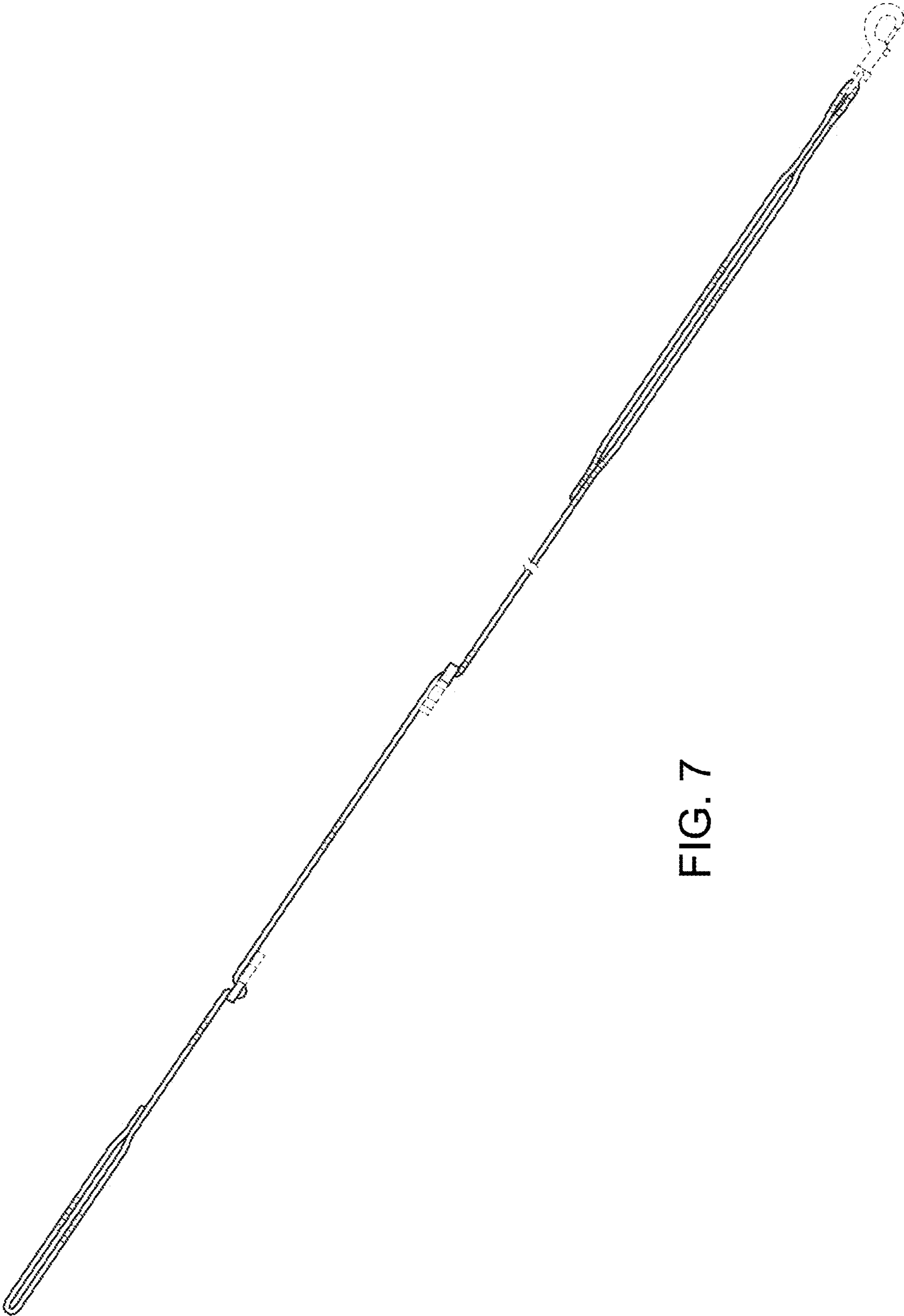


FIG. 7