



US00D717006S

(12) **United States Design Patent**  
**Alfonso**

(10) **Patent No.:** **US D717,006 S**

(45) **Date of Patent:** **\*\* Nov. 4, 2014**

(54) **FOOD BOWL FOR PETS**

(71) Applicant: **Lazaro G. Alfonso**, Miami, FL (US)

(72) Inventor: **Lazaro G. Alfonso**, Miami, FL (US)

(\*\*) Term: **14 Years**

(21) Appl. No.: **29/443,516**

(22) Filed: **Jan. 18, 2013**

(51) **LOC (10) Cl.** ..... **30-03**

(52) **U.S. Cl.**

USPC ..... **D30/129**

(58) **Field of Classification Search**

USPC ..... D30/121, 122, 129-133; 119/61.5,  
119/51.01, 61.56, 51.03, 59, 62, 63, 51.5,  
119/57.8, 74, 61.54, 61.55, 712, 174, 215,  
119/61.57, 61.4; 604/61-63; 221/270, 268;  
D8/1; 220/23.87, 630, 737, 743, 9.4,  
220/495.01, 574, 212, 255, 23.83, 573.4,  
220/574.3; D23/213, 214, 233; 47/79, 48.5,  
47/40.5, 44, 47, 39, 45; 239/280, 530,  
239/532, 569, 556; D7/700, 398; 141/331,  
141/345, 333, 334, 337, 391; 138/155;  
D11/143, 144, 152; 222/400.7;  
137/322; 473/560; 273/129 R;  
294/54.5, 55, 1.4; 248/407, 408, 423,  
248/295.11, 297.21, 297.31

See application file for complete search history.

(56) **References Cited**

**U.S. PATENT DOCUMENTS**

1,552,076 A \* 9/1925 Mosier ..... 119/72  
D160,121 S \* 9/1950 Pokras ..... D7/541  
D182,973 S \* 6/1958 Reinecke ..... D7/505  
3,441,003 A \* 4/1969 Lister et al. .... 119/61.53  
D230,033 S \* 1/1974 Goldman et al. .... D30/130  
D244,216 S \* 5/1977 Gerber ..... D30/129  
D259,669 S \* 6/1981 Peterson ..... D30/130  
4,357,905 A \* 11/1982 Carpenter ..... 119/61.53

D273,430 S \* 4/1984 Salinas ..... D30/130  
D289,208 S \* 4/1987 Fanciullo ..... D30/129  
D294,531 S \* 3/1988 Neunzig ..... D30/130  
D296,371 S \* 6/1988 Lorenzana et al. .... D30/122  
D299,771 S \* 2/1989 Kennedy ..... D30/130  
D303,169 S \* 8/1989 Hovey ..... D30/130  
4,896,627 A \* 1/1990 Riddell ..... 119/51.5  
4,922,858 A \* 5/1990 Ahrens ..... 119/73  
4,953,506 A \* 9/1990 Sanders ..... 119/61.53  
D313,203 S \* 12/1990 Carlson ..... D11/153  
D313,489 S \* 1/1991 Conner ..... D30/130  
D314,454 S \* 2/1991 Ahuna ..... D30/129  
5,000,123 A \* 3/1991 Morse et al. .... 119/61.54  
D316,918 S \* 5/1991 Harris ..... D30/130  
5,069,166 A \* 12/1991 Ahuna ..... 119/61.53  
5,069,167 A \* 12/1991 Kasselmann ..... 119/61.53  
5,109,800 A \* 5/1992 Williams ..... 119/61.53  
5,125,363 A \* 6/1992 McGaha ..... 119/51.5  
D329,307 S \* 9/1992 Lamela et al. .... D30/131  
5,165,365 A \* 11/1992 Thompson ..... 119/61.53  
5,205,242 A \* 4/1993 Kasselmann ..... 119/61.53

(Continued)

*Primary Examiner* — Susan Moon Lee

(74) *Attorney, Agent, or Firm* — Albert Bordas, P.A.

(57) **CLAIM**

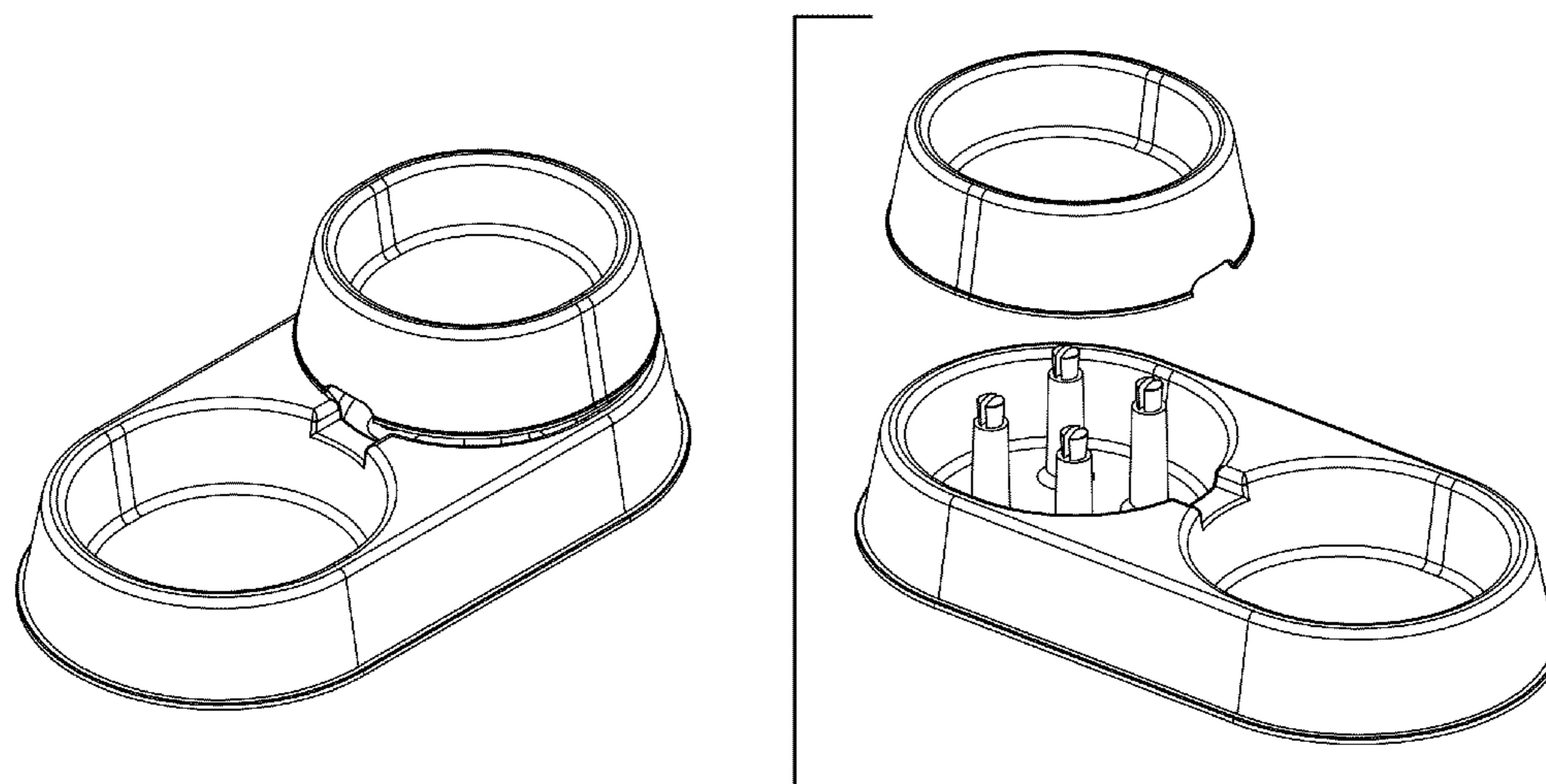
The ornamental design for a food bowl for pets, as shown and described.

**DESCRIPTION**

FIG. 1 is a top plan view of a food bowl for pets;  
FIG. 2 is a front elevational view thereof, the rear elevational view being a mirror image thereof;  
FIG. 3 is a bottom view thereof;  
FIG. 4 is a left elevational view thereof,  
FIG. 5 is a right elevational view thereof;  
FIG. 6 is an isometric view thereof; and,  
FIG. 7 is an exploded view thereof, wherein one bowl is shown detached.

The claimed food bowl for pets is used to keep ants and other insects away from pet food placed therein.

**1 Claim, 3 Drawing Sheets**



(56)

References Cited

U.S. PATENT DOCUMENTS

5,245,948	A *	9/1993	McClellan	119/51.5	6,478,277	B2 *	11/2002	Winquest	248/346.01
5,253,609	A *	10/1993	Partelow et al.	119/61.53	6,484,437	B2 *	11/2002	Roberts	43/109
D342,352	S *	12/1993	Embrey	D30/129	D467,045	S *	12/2002	Tsengas	D30/130
D342,353	S *	12/1993	Anastasi	D30/130	D485,208	S *	1/2004	Fan	D11/143
5,277,149	A *	1/1994	East	119/51.5	D486,273	S *	2/2004	Tsengas	D30/130
D346,465	S *	4/1994	Russell et al.	D30/130	D486,274	S *	2/2004	Tsengas	D30/130
D353,232	S *	12/1994	Chrisco	D30/130	D489,847	S *	5/2004	Tsengas	D30/130
D362,090	S *	9/1995	Baldwin et al.	D30/130	6,735,901	B1 *	5/2004	Bellehumeur	43/132.1
5,467,738	A *	11/1995	Cass	119/61.53	D490,745	S *	6/2004	Fan	D11/143
5,485,806	A *	1/1996	Watanabe	119/51.5	D491,697	S *	6/2004	Tsengas	D30/130
D367,736	S *	3/1996	Goetz	D30/130	D497,041	S *	10/2004	Plante	D30/130
5,501,176	A *	3/1996	Tully	119/61.57	6,854,419	B1 *	2/2005	Tsengas	119/51.5
D373,858	S *	9/1996	Chen	D30/130	6,860,229	B1 *	3/2005	Craft	119/61.5
5,564,362	A *	10/1996	Fiveash	119/51.5	D512,801	S *	12/2005	Kratzer et al.	D30/130
5,577,461	A *	11/1996	Sebastian et al.	119/51.5	7,219,622	B1 *	5/2007	Powers	119/61.53
D377,243	S *	1/1997	Fiveash	D30/130	D556,954	S *	12/2007	May	D30/129
5,619,952	A *	4/1997	Walker	119/61.53	D558,931	S *	1/2008	Hood et al.	D30/130
5,632,228	A *	5/1997	Ybarra	119/51.5	D559,472	S *	1/2008	Abinanti et al.	D30/129
D379,684	S *	6/1997	Dennis	D30/130	D563,608	S *	3/2008	Kitchen	D30/129
D393,107	S *	3/1998	Tsengas	D30/121	D602,653	S *	10/2009	Mendenhall	D30/130
5,730,082	A *	3/1998	Newman	119/51.5	D621,560	S *	8/2010	McMurphy	D30/133
5,730,083	A *	3/1998	Walker	83/699.41	D636,945	S *	4/2011	Anderson et al.	D30/129
5,775,255	A *	7/1998	Louviere, III	119/51.5	D654,230	S *	2/2012	Tedaldi et al.	D30/129
5,794,564	A *	8/1998	Paro	119/61.53	D659,914	S *	5/2012	Lipscomb	D30/132
D402,425	S *	12/1998	Lacz et al.	D30/121	D667,175	S *	9/2012	McMurphy	D30/133
5,857,427	A *	1/1999	Kelley	119/61.56	8,360,005	B1 *	1/2013	Allen	119/61.53
5,857,428	A *	1/1999	Gitzen	119/61.53	D682,482	S *	5/2013	Nelson	D30/129
5,881,671	A *	3/1999	Riedl	119/61.53	D689,245	S *	9/2013	Rowe et al.	D30/132
6,125,790	A *	10/2000	Breedwell	119/51.5	D694,477	S *	11/2013	Rowe et al.	D30/132
6,145,474	A *	11/2000	Lemkin	119/61.5	D709,654	S *	7/2014	Lipscomb et al.	D30/132
6,167,840	B1 *	1/2001	White et al.	119/61.53	8,800,493	B2 *	8/2014	Harding	119/61.57
D466,256	S *	11/2002	Kaplan	D30/129	8,807,082	B1 *	8/2014	Alfonso	119/61.53
					2004/0244703	A1 *	12/2004	Lehman	119/61.53
					2008/0011236	A1 *	1/2008	Paez	119/61.53
					2010/0170447	A1 *	7/2010	Pridgen, Jr.	119/61.53

\* cited by examiner

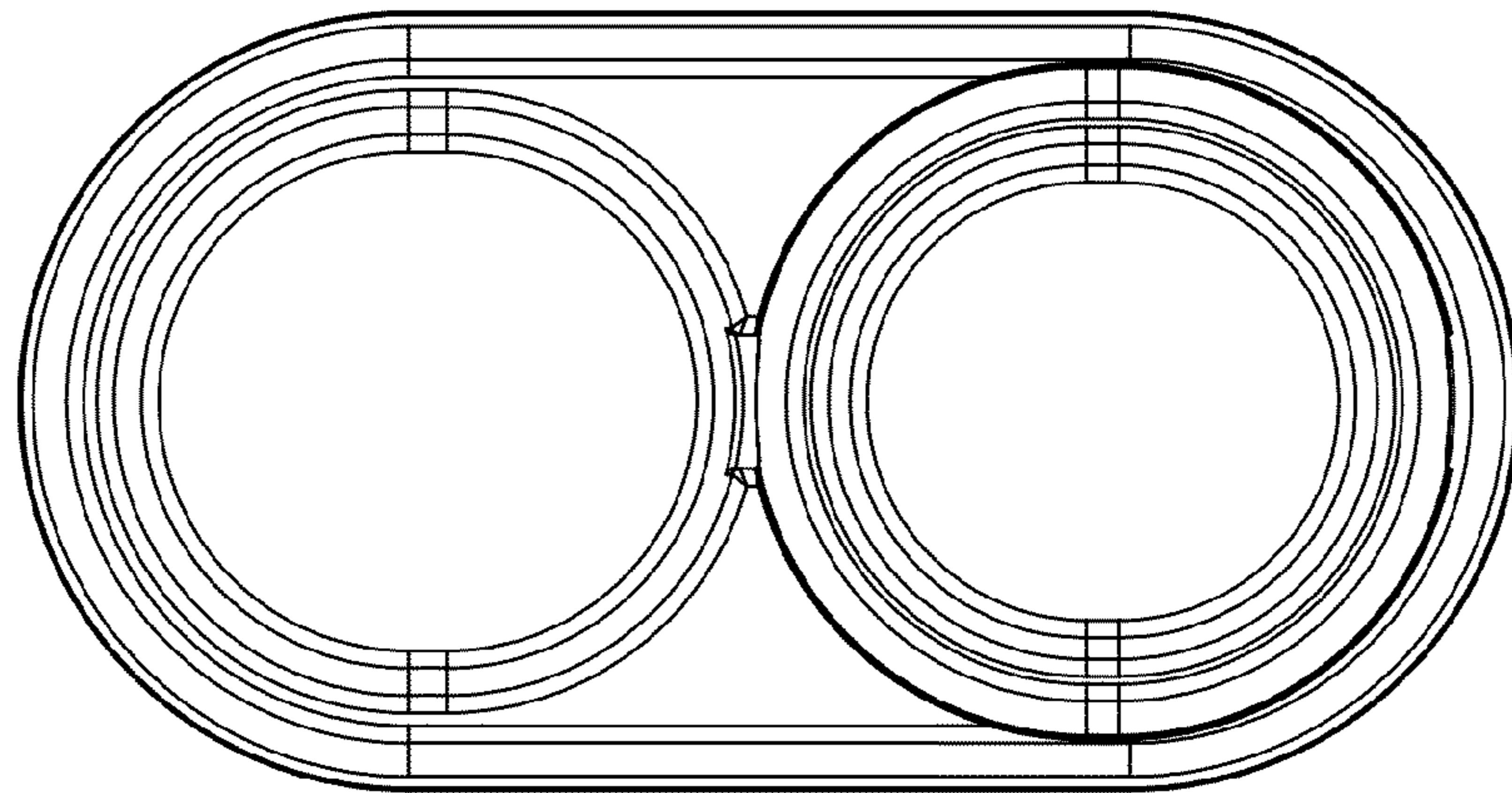


Fig. 1

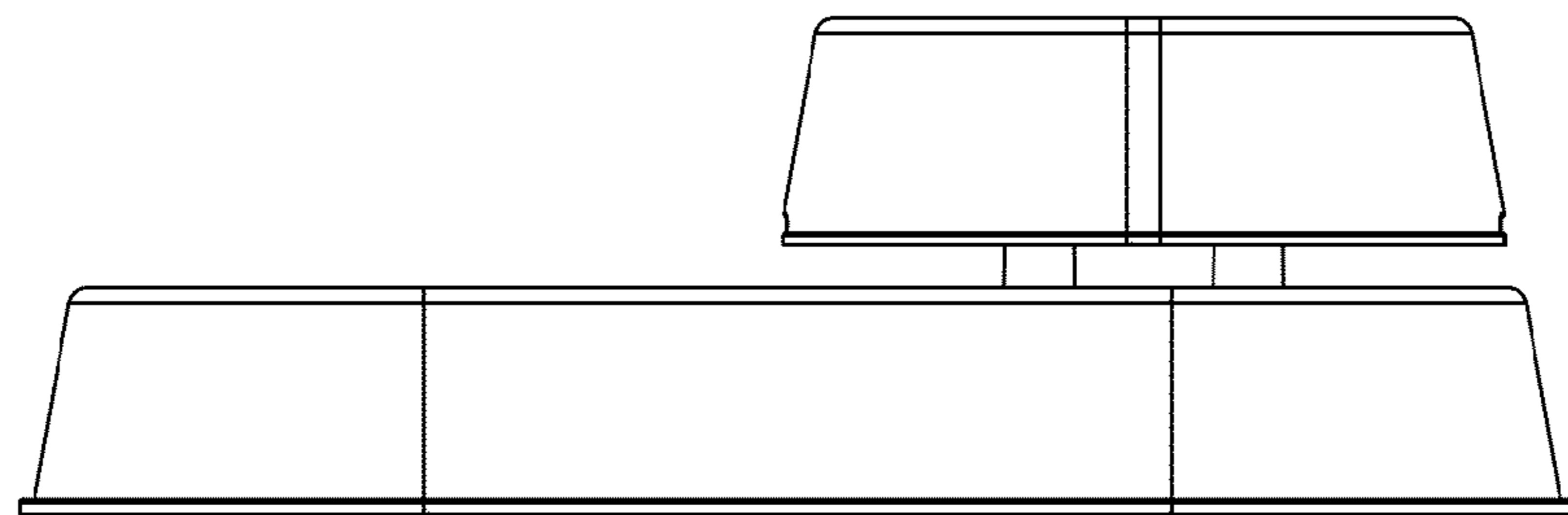


Fig. 2

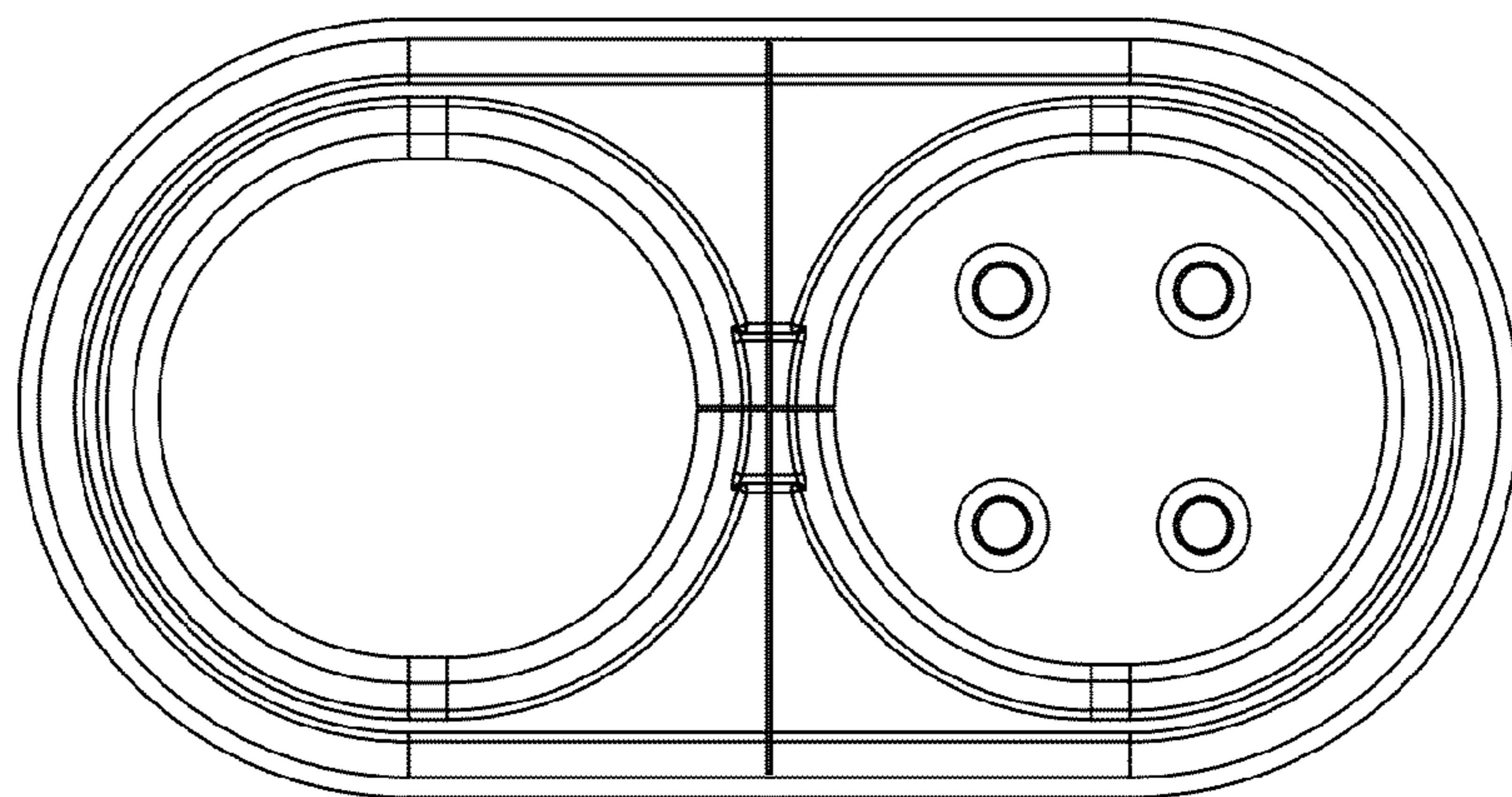


Fig. 3

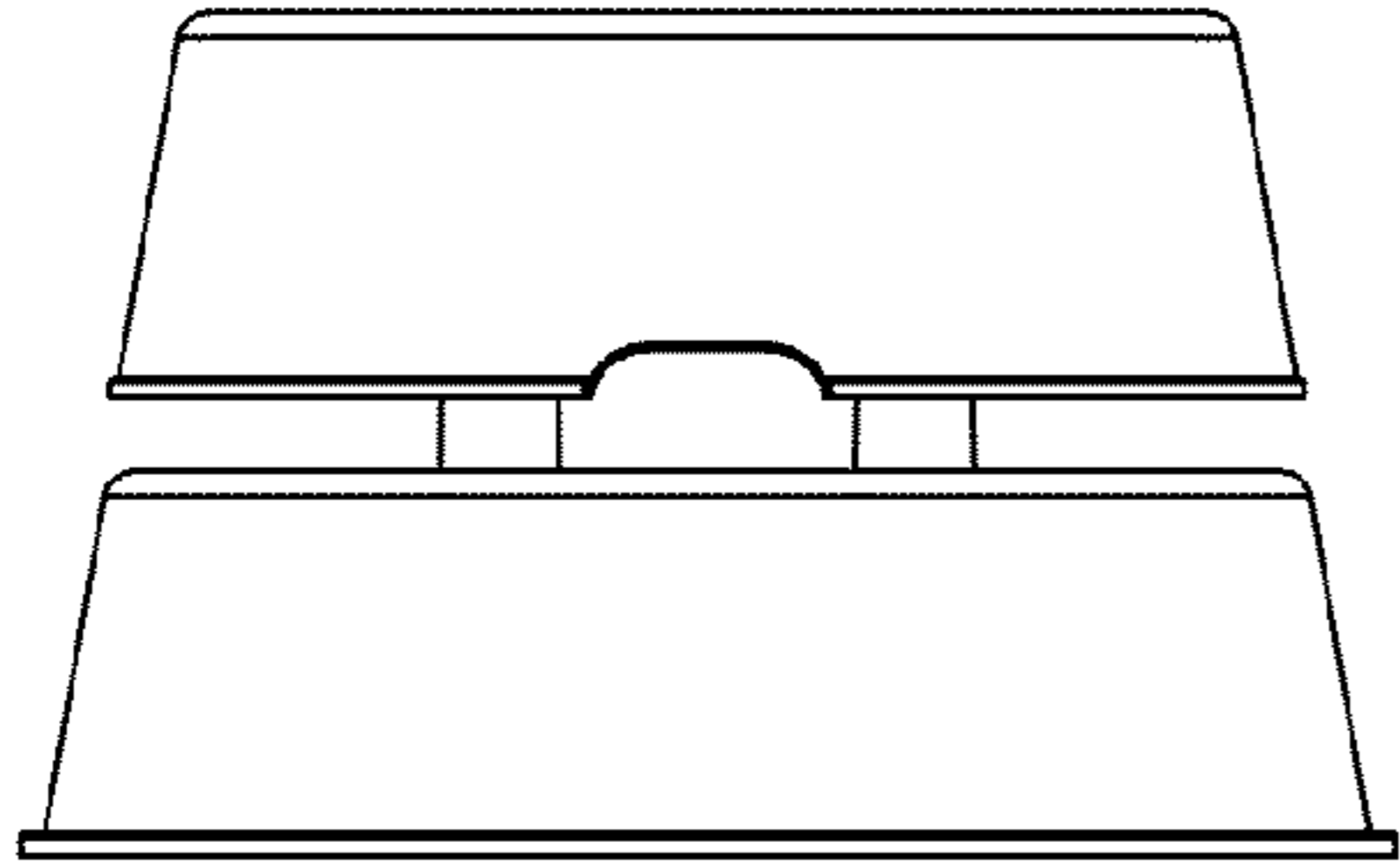


Fig. 4

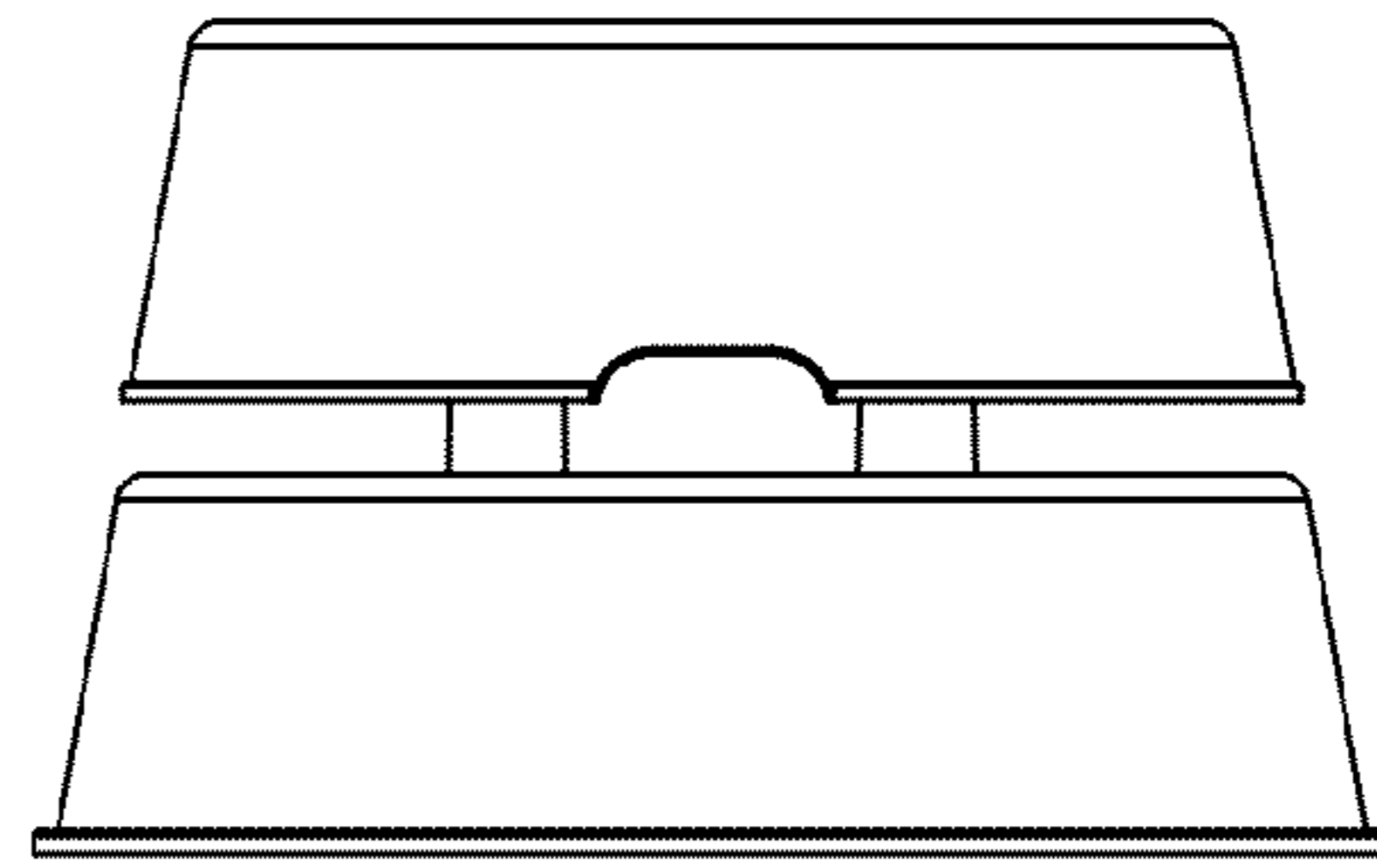


Fig. 5

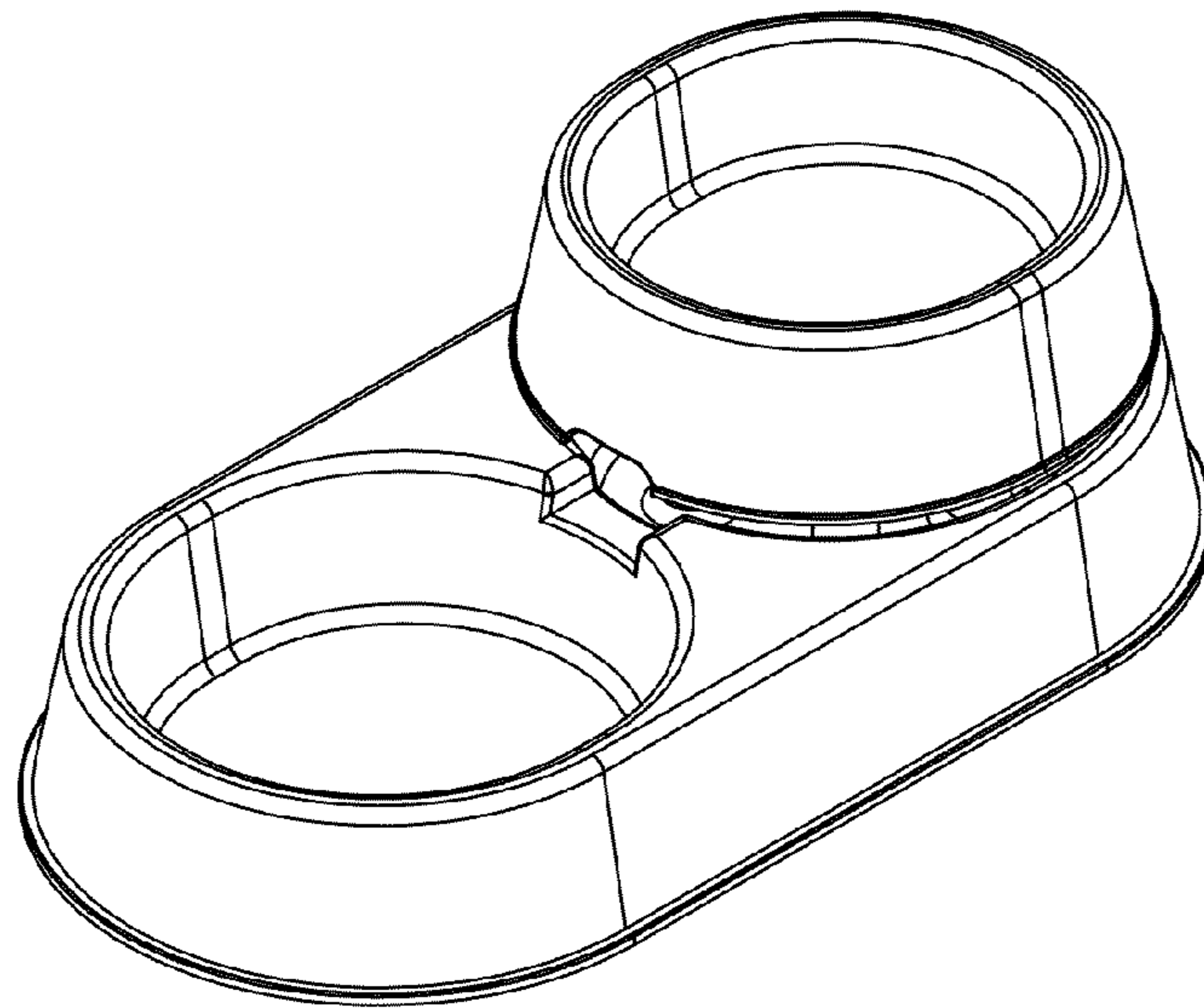


Fig. 6

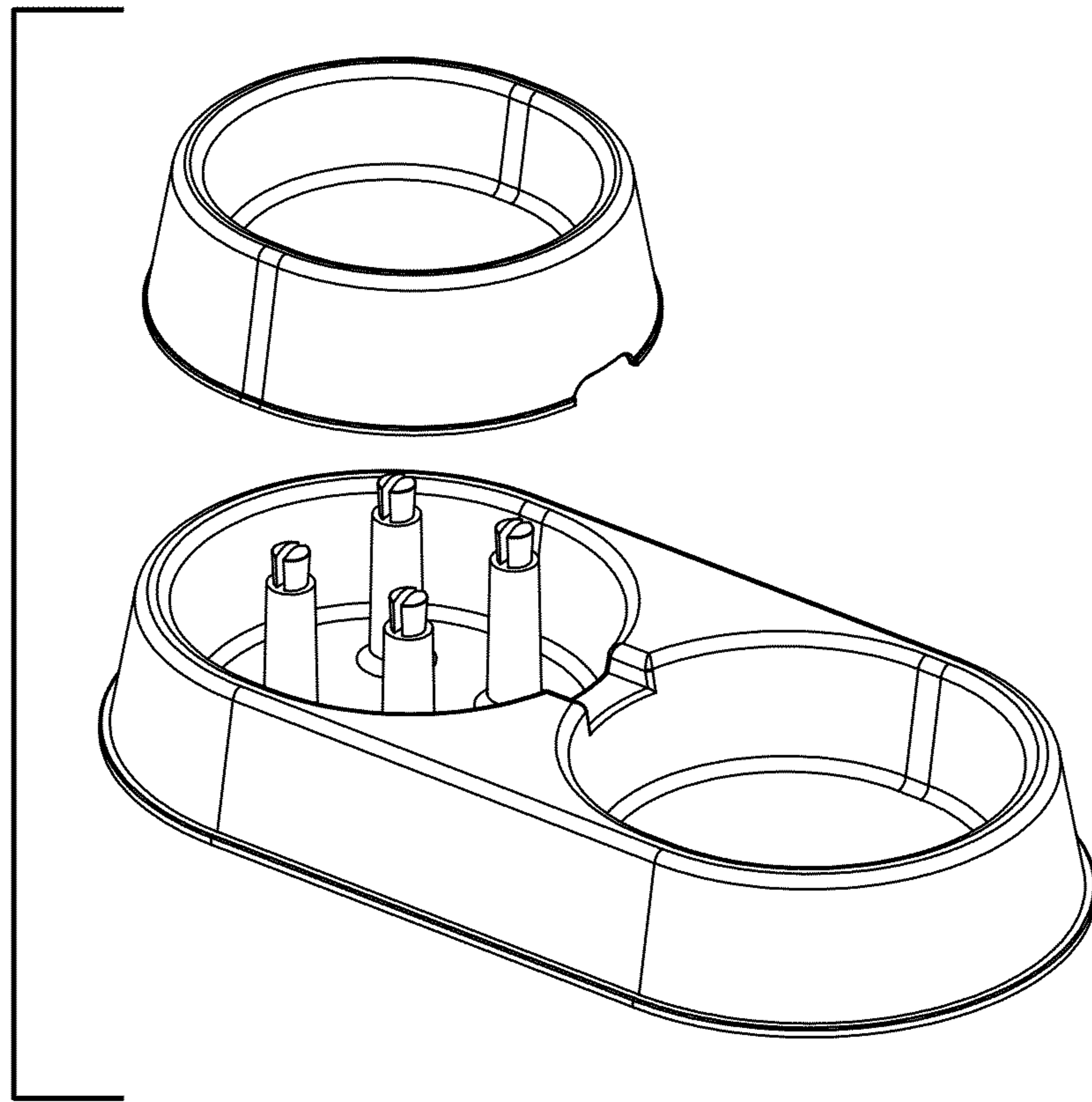


Fig. 7