



US00D717005S

(12) **United States Design Patent**
Skaggs

(10) **Patent No.:** **US D717,005 S**

(45) **Date of Patent:** **** Nov. 4, 2014**

(54) **PET CARRIER**

(71) Applicant: **Craig Skaggs**, Troy, IL (US)

(72) Inventor: **Craig Skaggs**, Troy, IL (US)

(73) Assignee: **Pet Cooler Carrier, LLC**, Troy, IL (US)

(**) Term: **14 Years**

(21) Appl. No.: **29/446,011**

(22) Filed: **Feb. 19, 2013**

(51) **LOC (10) Cl.** **30-02**

(52) **U.S. Cl.**
USPC **D30/108; D30/109**

(58) **Field of Classification Search**
USPC D30/108-109, 112-117, 160-161;
119/452-453, 474, 481-482, 489, 491,
119/494, 496-498, 501, 513-514
See application file for complete search history.

(56) **References Cited**

U.S. PATENT DOCUMENTS

315,925	A	4/1885	Evans	
3,577,957	A	5/1971	Sandig	
3,985,104	A	10/1976	Klemer	
4,899,693	A	2/1990	Arnold	
D308,429	S *	6/1990	VanSkiver	D30/109
5,016,570	A *	5/1991	Henson	119/497
5,154,137	A *	10/1992	Stanaland	119/496
D331,131	S *	11/1992	Quillen	D30/109
D331,649	S *	12/1992	Saja	D30/161
D333,537	S *	2/1993	Muse, Jr.	D30/114
5,245,951	A	9/1993	Nicholson	
5,349,924	A	9/1994	Hooper, Jr.	
5,692,386	A	12/1997	Casey, Sr.	
5,761,992	A	6/1998	Gallo	
5,887,436	A	3/1999	Duddleston	
D412,223	S *	7/1999	Medhurst	D30/109

6,196,975	B1	3/2001	Labrecque et al.	
D445,222	S	7/2001	Ross	
6,427,631	B1 *	8/2002	Ross	119/496
6,840,193	B2 *	1/2005	Kost et al.	119/482
D545,507	S *	6/2007	Harper et al.	D30/108
D546,005	S *	7/2007	Harper et al.	D30/108
7,322,314	B1	1/2008	Sweeney	
7,347,164	B2	3/2008	Axelrod et al.	
D566,907	S *	4/2008	Barca	D30/109
7,513,217	B1	4/2009	Leach	
D603,112	S *	10/2009	Pergolski	D30/161
D608,954	S *	1/2010	Tharp	D30/109
D615,251	S *	5/2010	Scherbing	D30/109

(Continued)

OTHER PUBLICATIONS

Skaggs, Craig; "Pet Carrier"; Design U.S. Appl. No. 29/445,635; filed Feb. 14, 2013.

Primary Examiner — Cathy A MacCormac
(74) *Attorney, Agent, or Firm* — Polsinelli PC

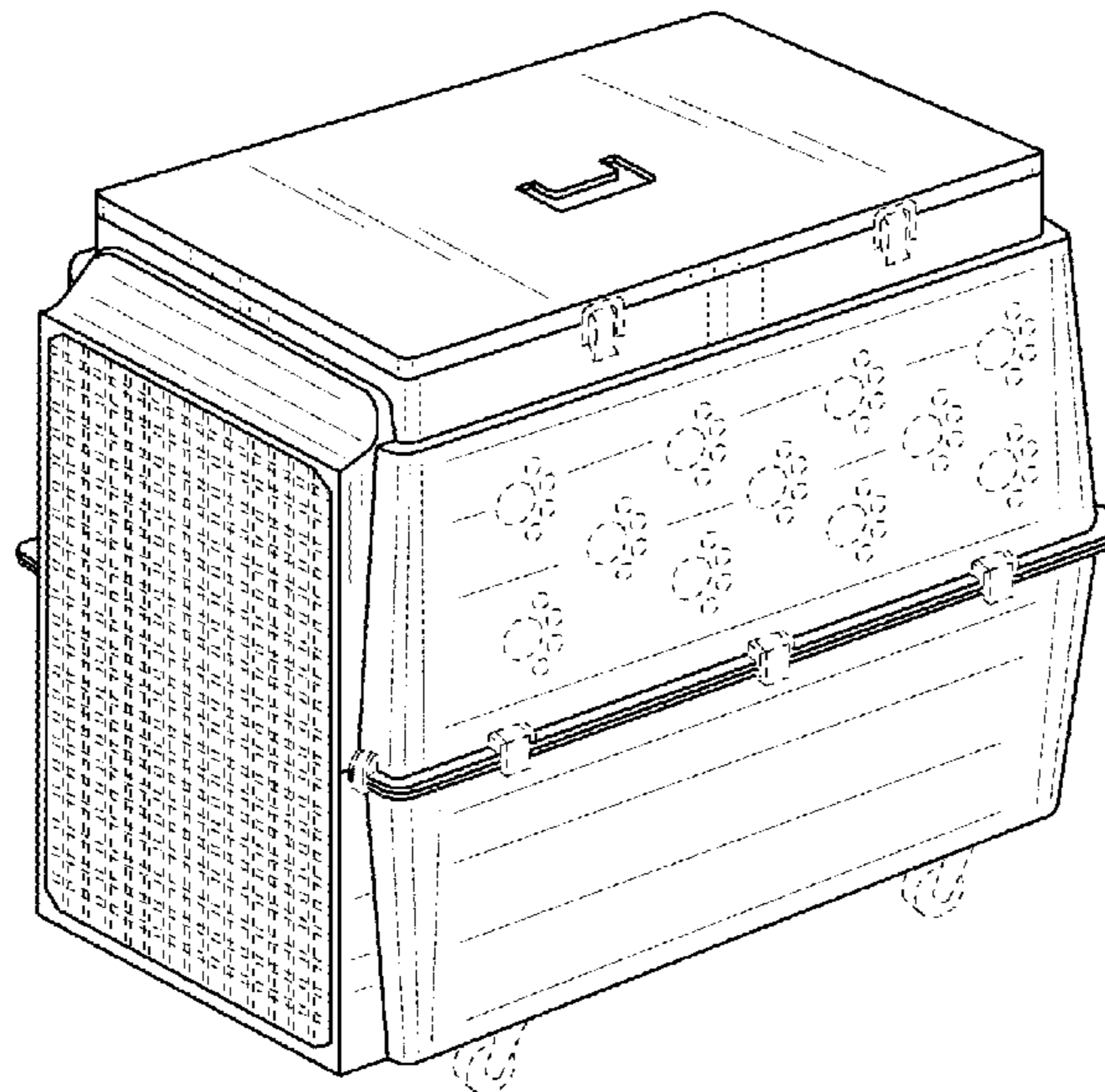
(57) **CLAIM**

The ornamental design for a pet carrier, as shown and described.

DESCRIPTION

FIG. 1 is a front perspective view of the pet carrier; FIG. 2 is a front view of the pet carrier; FIG. 3 is a rear view of the pet carrier; FIG. 4 is a left side view of the pet carrier; FIG. 5 is a right side view of the pet carrier; FIG. 6 is a top view of the pet carrier; and, FIG. 7 is a bottom view of the pet carrier. The broken lines showing in FIGS. 1-7 are included for the purpose of illustrating portions of the pet carrier that form no part of the claimed design.

1 Claim, 3 Drawing Sheets



US D717,005 S

Page 2

(56)

References Cited

U.S. PATENT DOCUMENTS

		D678,623 S	3/2013	Iranyi et al.	
		D680,696 S *	4/2013	Hammel	D30/108
		2010/0043716 A1	2/2010	Klanke	
	7,779,645 B2	8/2010	Heimbach		
	7,984,624 B2	7/2011	Leitner		
	D671,691 S *	11/2012	Neilan	D30/108	* cited by examiner

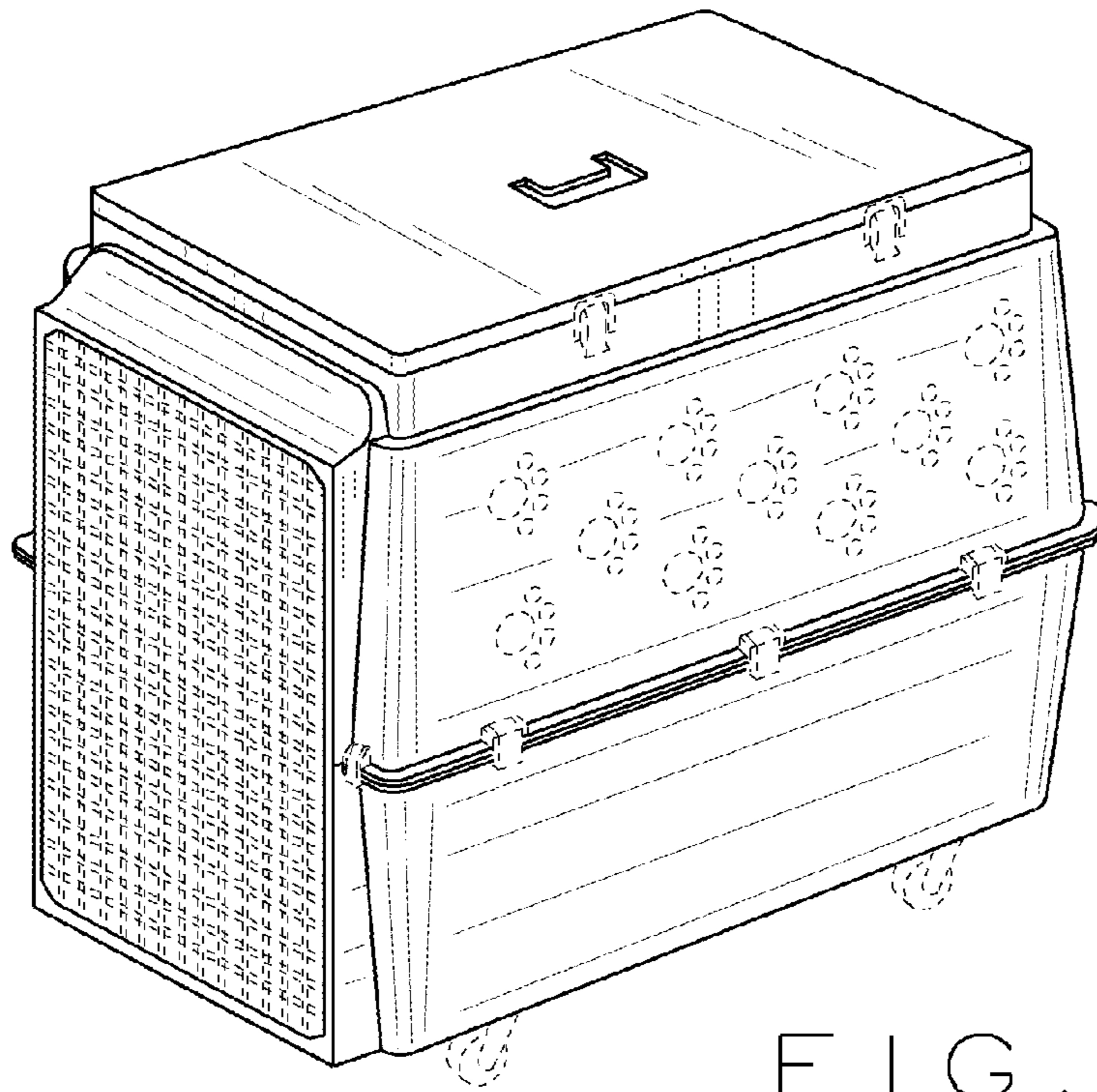


FIG. 1

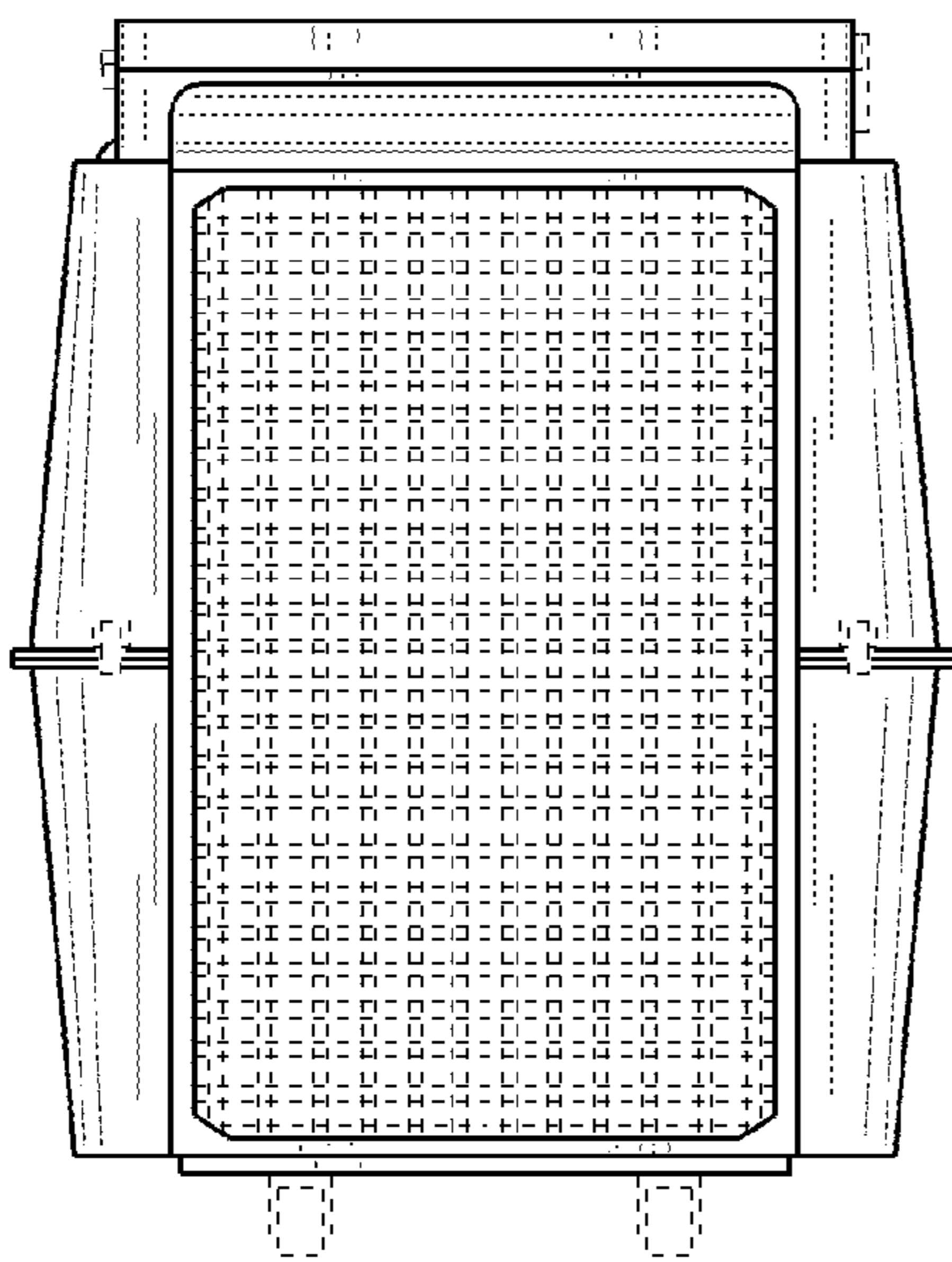


FIG. 2

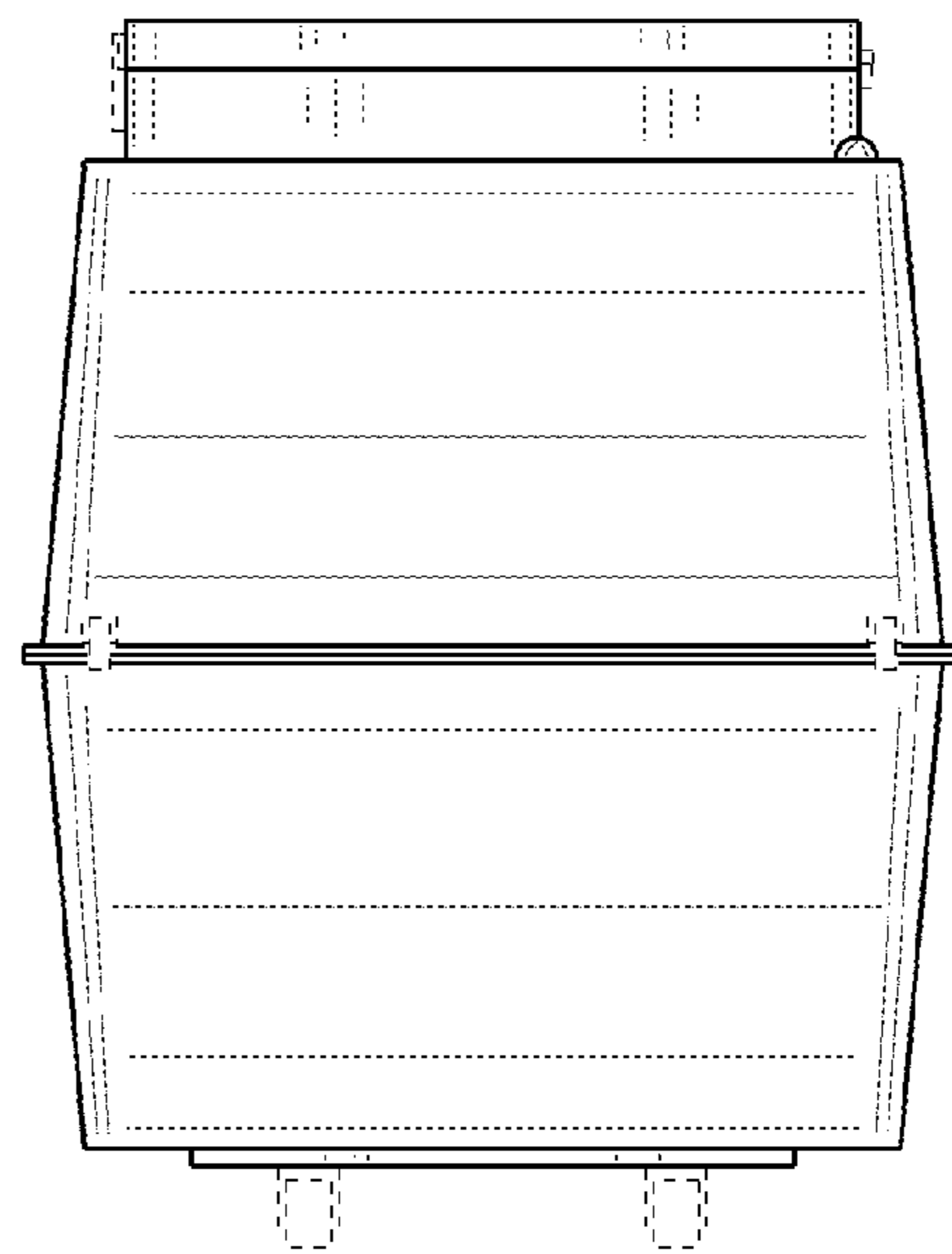


FIG. 3

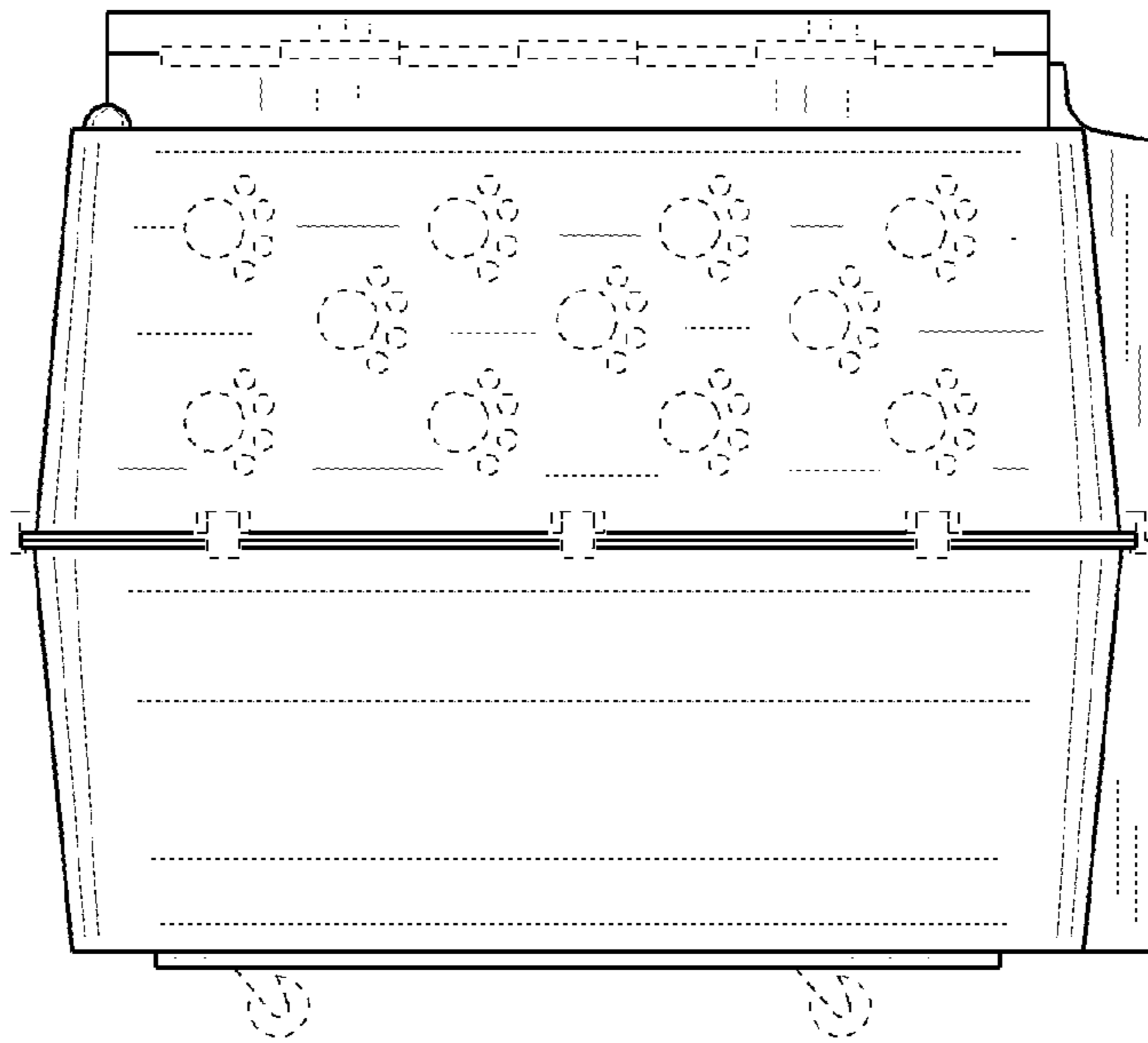


FIG. 4

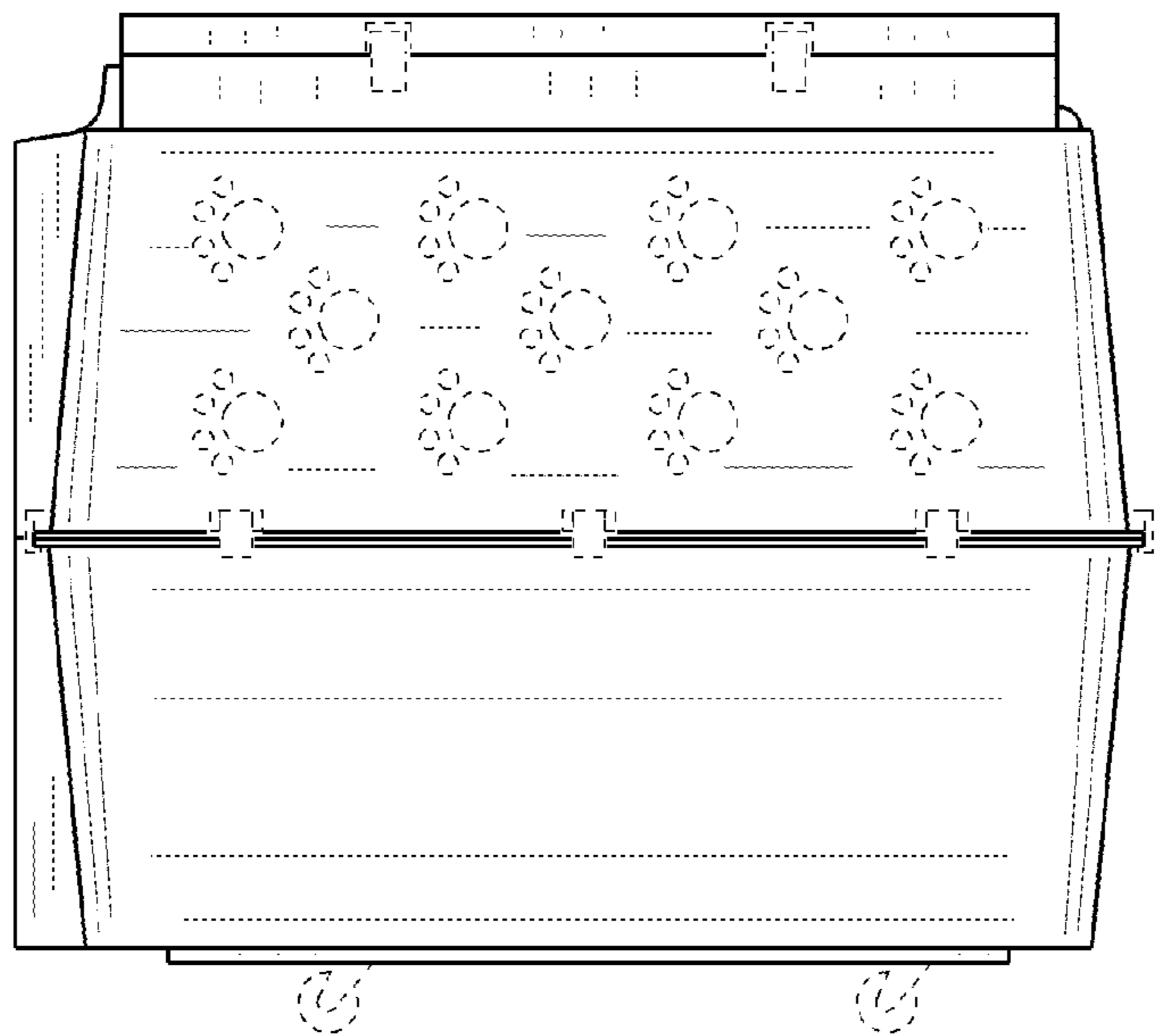


FIG. 5

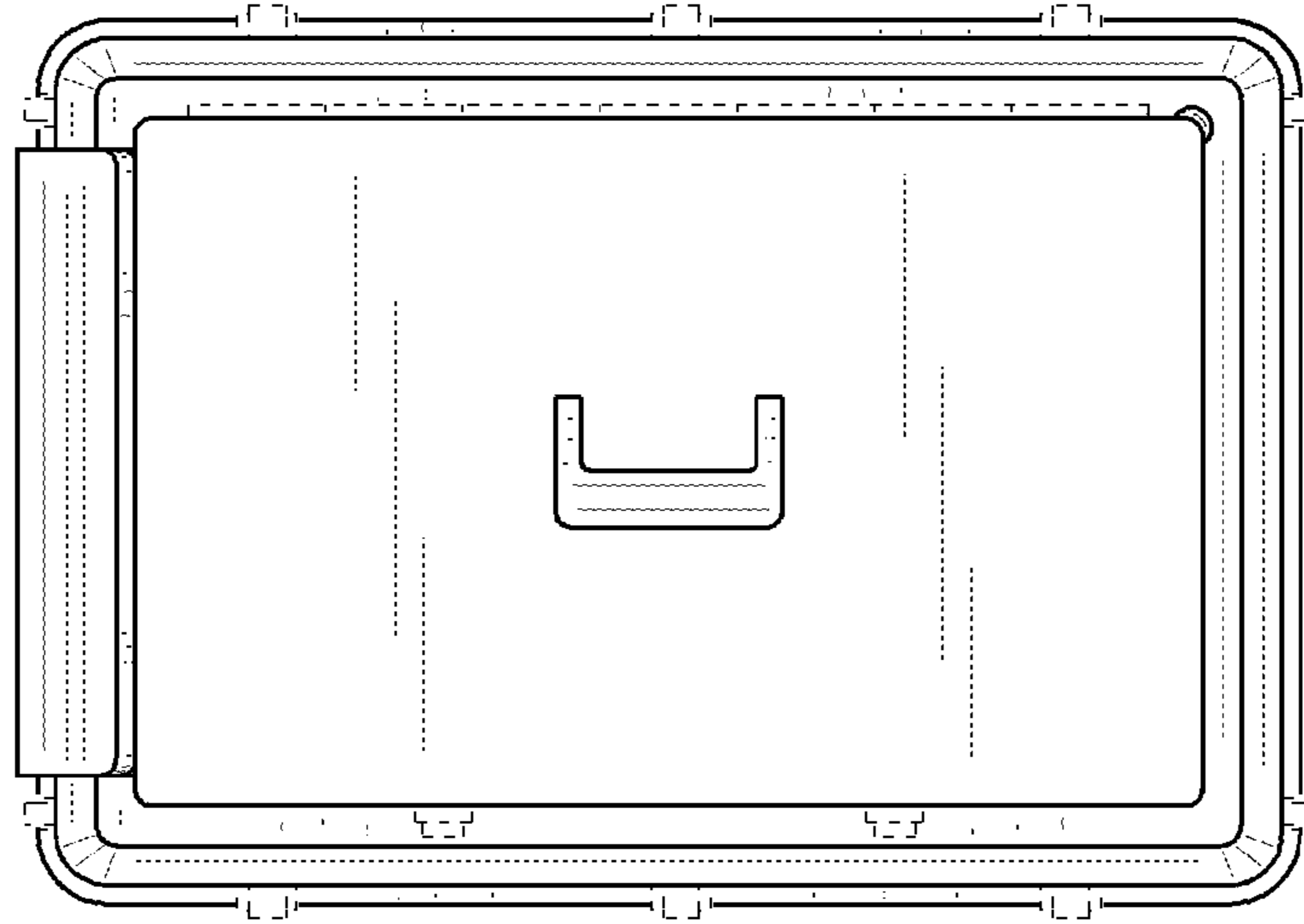


FIG. 6

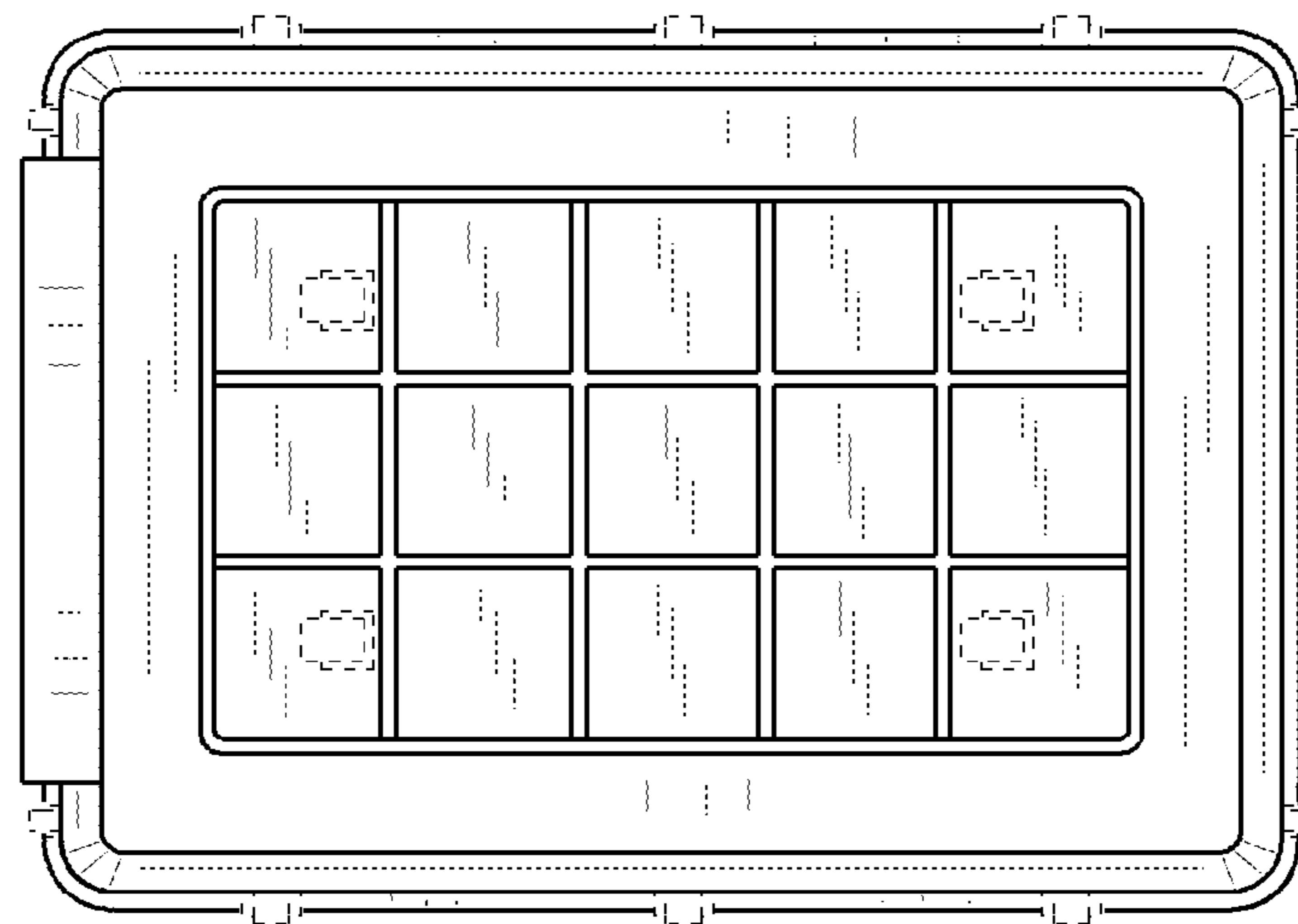


FIG. 7