



US00D717002S

(12) **United States Design Patent**  
**Johnston**

(10) **Patent No.:** **US D717,002 S**  
(45) **Date of Patent:** **\*\* Nov. 4, 2014**

(54) **TWEEZERS**

(71) Applicant: **Andrew H. Johnston**, Ketchum, ID  
(US)

(72) Inventor: **Andrew H. Johnston**, Ketchum, ID  
(US)

(\*\*) Term: **14 Years**

(21) Appl. No.: **29/485,754**

(22) Filed: **Mar. 21, 2014**

(51) **LOC (10) Cl.** ..... **28-03**

(52) **U.S. Cl.**  
USPC ..... **D28/55**

(58) **Field of Classification Search**  
CPC .. B25B 9/02; A45D 26/0076; A45D 26/0066;  
A45D 26/0071; A61B 17/29  
USPC ..... D28/55; D24/143; 606/210-211;  
294/99.2  
See application file for complete search history.

(56) **References Cited**

**U.S. PATENT DOCUMENTS**

1,174,004	A *	2/1916	Greenwald	.....	294/99.2
3,167,981	A *	2/1965	Kern	.....	294/99.2
3,265,068	A *	8/1966	Holohan	.....	606/210
3,906,957	A	9/1975	Weston		
4,318,313	A	3/1982	Tartaglia		

D272,664	S *	2/1984	Jones	.....	D28/55
4,707,922	A	11/1987	Hosak-Robb		
4,761,028	A *	8/1988	Dulebohn	.....	294/99.2
4,877,280	A	10/1989	Milano		
4,964,663	A	10/1990	Jermyn		
5,019,091	A *	5/1991	Porat et al.	.....	606/205
D415,276	S *	10/1999	Bell	.....	D28/55
6,916,054	B1	7/2005	Baldesberger		
2012/0209316	A1 *	8/2012	Tarleton et al.	.....	606/210

\* cited by examiner

*Primary Examiner* — Jennifer Rivard

(74) *Attorney, Agent, or Firm* — Pedersen and Company, PLLC; Ken J. Pedersen; Barbara S. Pedersen

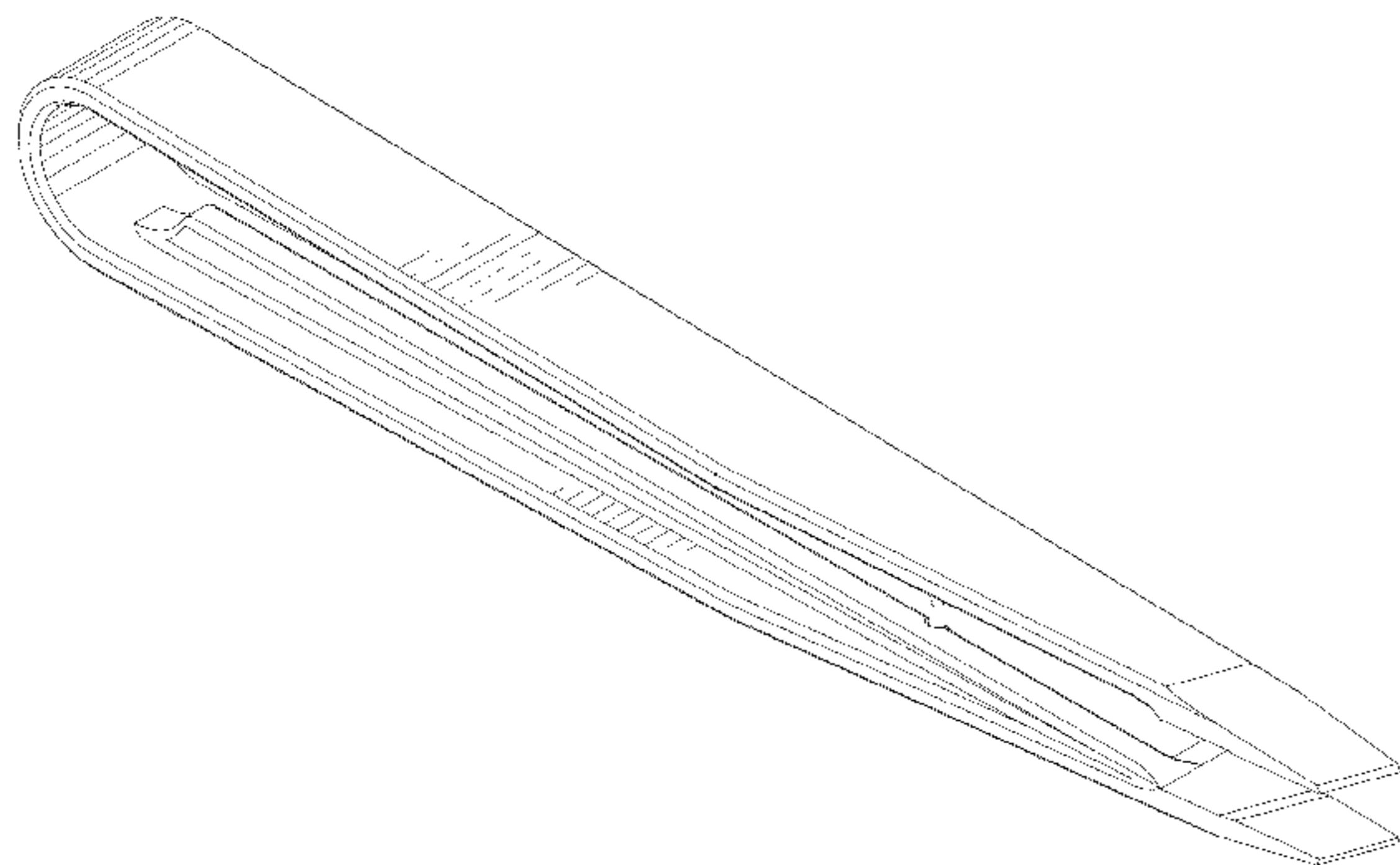
(57) **CLAIM**

The ornamental design for tweezers, as shown and described.

**DESCRIPTION**

FIG. 1 is a top, perspective view of the tweezers design.  
FIG. 2 is a right side view of the embodiment depicted in FIG. 1.  
FIG. 3 is a left side view of the embodiment depicted in FIG. 1.  
FIG. 4 is a top view of the embodiment depicted in FIG. 1.  
FIG. 5 is a bottom view of the embodiment depicted in FIG. 1.  
FIG. 6 is a front view of the embodiment depicted in FIG. 1; and,  
FIG. 7 is a back view of the embodiment depicted in FIG. 1.

**1 Claim, 2 Drawing Sheets**



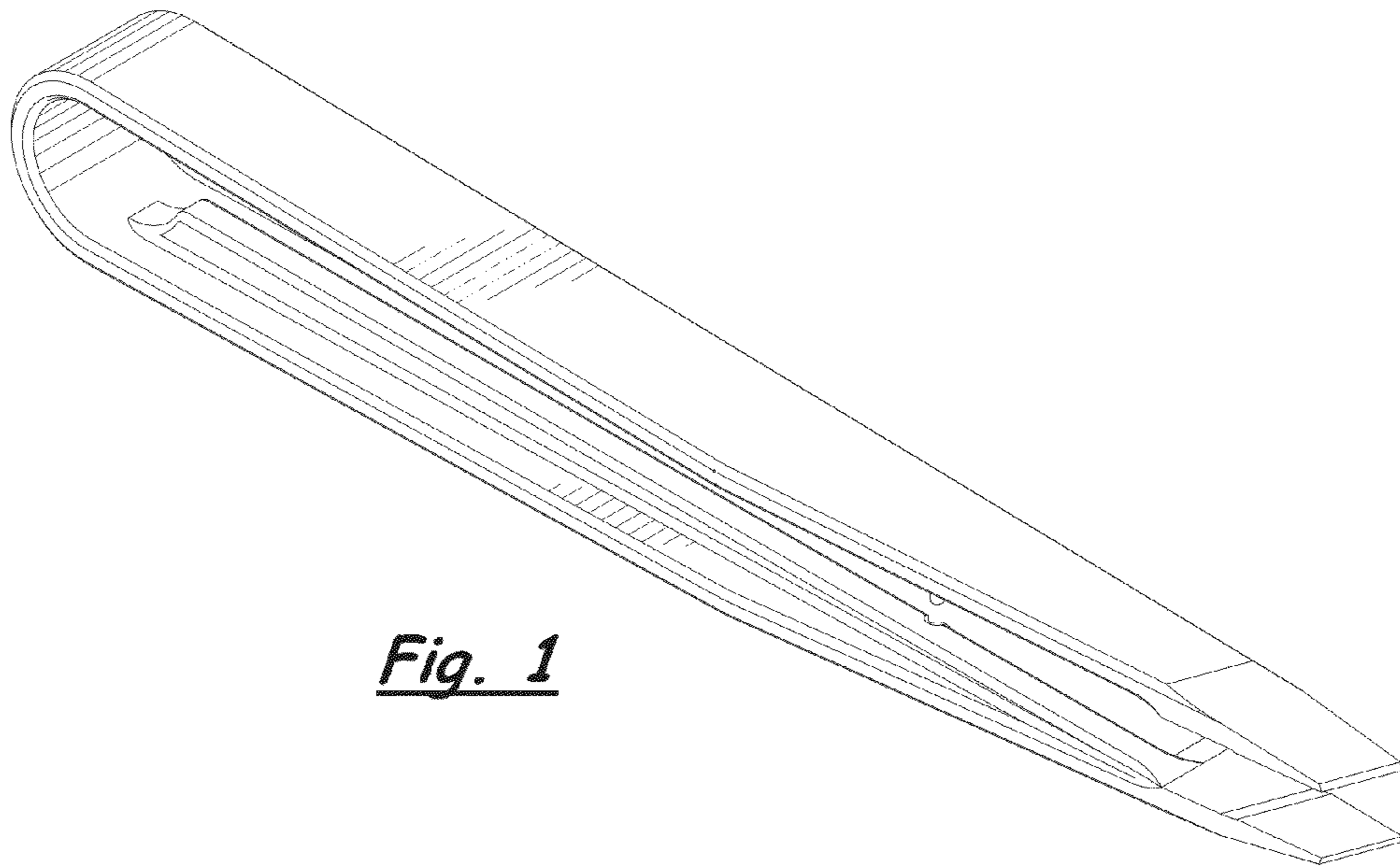


Fig. 1

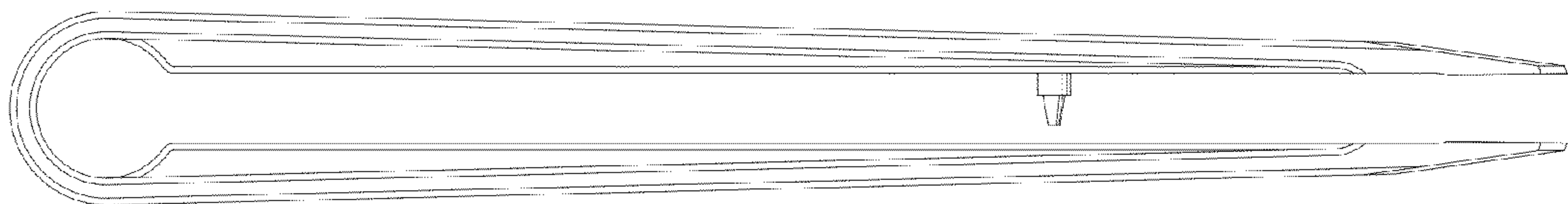


Fig. 2

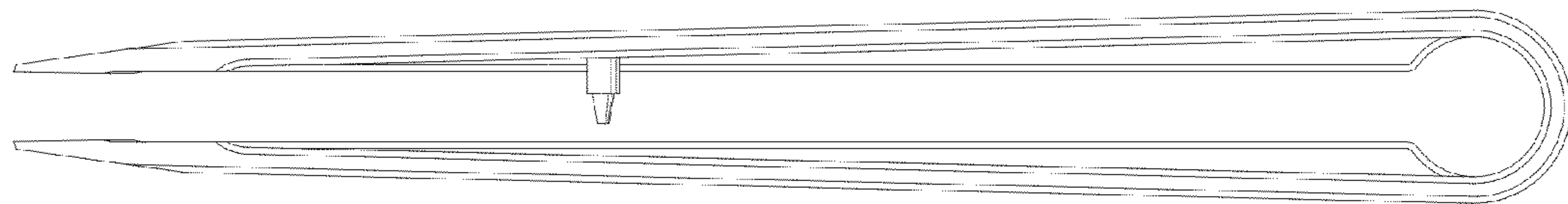


Fig. 3

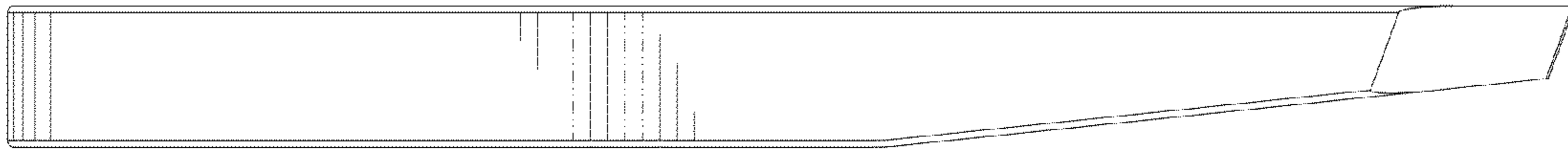


Fig. 4

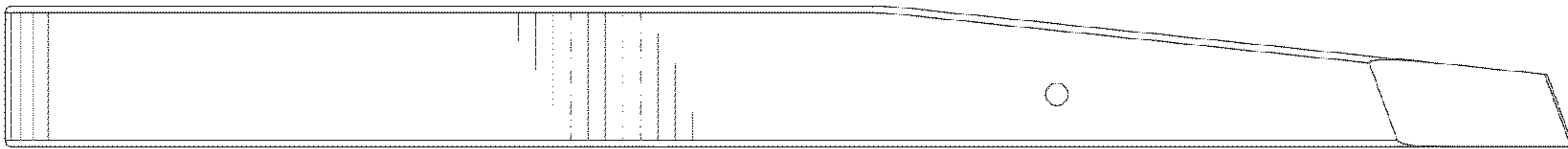


Fig. 5

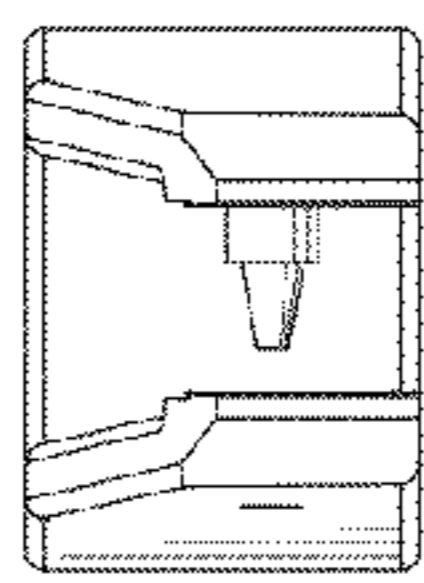


Fig. 6

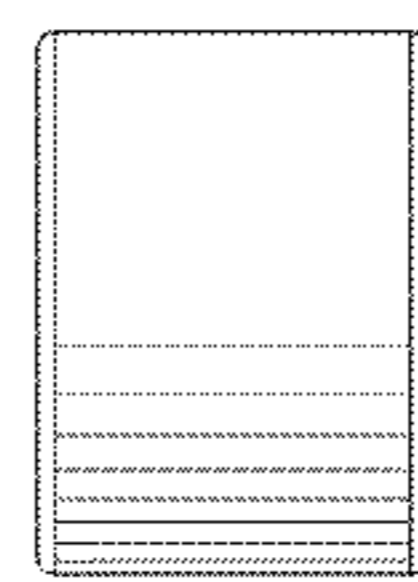


Fig. 7