



US00D716999S

(12) **United States Design Patent**  
**Americano**

(10) **Patent No.:** **US D716,999 S**

(45) **Date of Patent:** **\*\* \*Nov. 4, 2014**

(54) **HAIR DRYER**

(75) Inventor: **Giovanni Americano**, Urganano (IT)

(73) Assignee: **Conair Corporation**, Stamford, CT (US)

(\*) Notice: This patent is subject to a terminal disclaimer.

(\*\*) Term: **14 Years**

(21) Appl. No.: **29/359,814**

(22) Filed: **Apr. 15, 2010**

(51) **LOC (10) Cl.** ..... **28-03**

(52) **U.S. Cl.**

CPC ..... **A45D 20/122** (2013.01)

USPC ..... **D28/13**

(58) **Field of Classification Search**

USPC ..... D28/12-19; 34/96-101; 392/380-385; 219/222

See application file for complete search history.

(56) **References Cited**

**U.S. PATENT DOCUMENTS**

|            |   |         |              |       |        |
|------------|---|---------|--------------|-------|--------|
| D499,209 S | * | 11/2004 | Ikesaki      | ..... | D28/13 |
| D528,698 S | * | 9/2006  | Rizzuto, Jr. | ..... | D28/13 |
| D600,404 S | * | 9/2009  | Leung        | ..... | D28/13 |
| D604,898 S | * | 11/2009 | Parodi       | ..... | D28/13 |
| D604,901 S | * | 11/2009 | Yu           | ..... | D28/13 |
| D606,248 S | * | 12/2009 | Leung        | ..... | D28/13 |

|            |   |         |        |       |        |
|------------|---|---------|--------|-------|--------|
| D606,249 S | * | 12/2009 | Leung  | ..... | D28/13 |
| D615,243 S | * | 5/2010  | Parodi | ..... | D28/13 |
| D617,048 S | * | 6/2010  | Kim    | ..... | D28/13 |
| D627,510 S | * | 11/2010 | Zabala | ..... | D28/13 |

\* cited by examiner

*Primary Examiner* — Zenia Bennett

(74) *Attorney, Agent, or Firm* — Carter, DeLuca, Farrell & Schmidt LLP

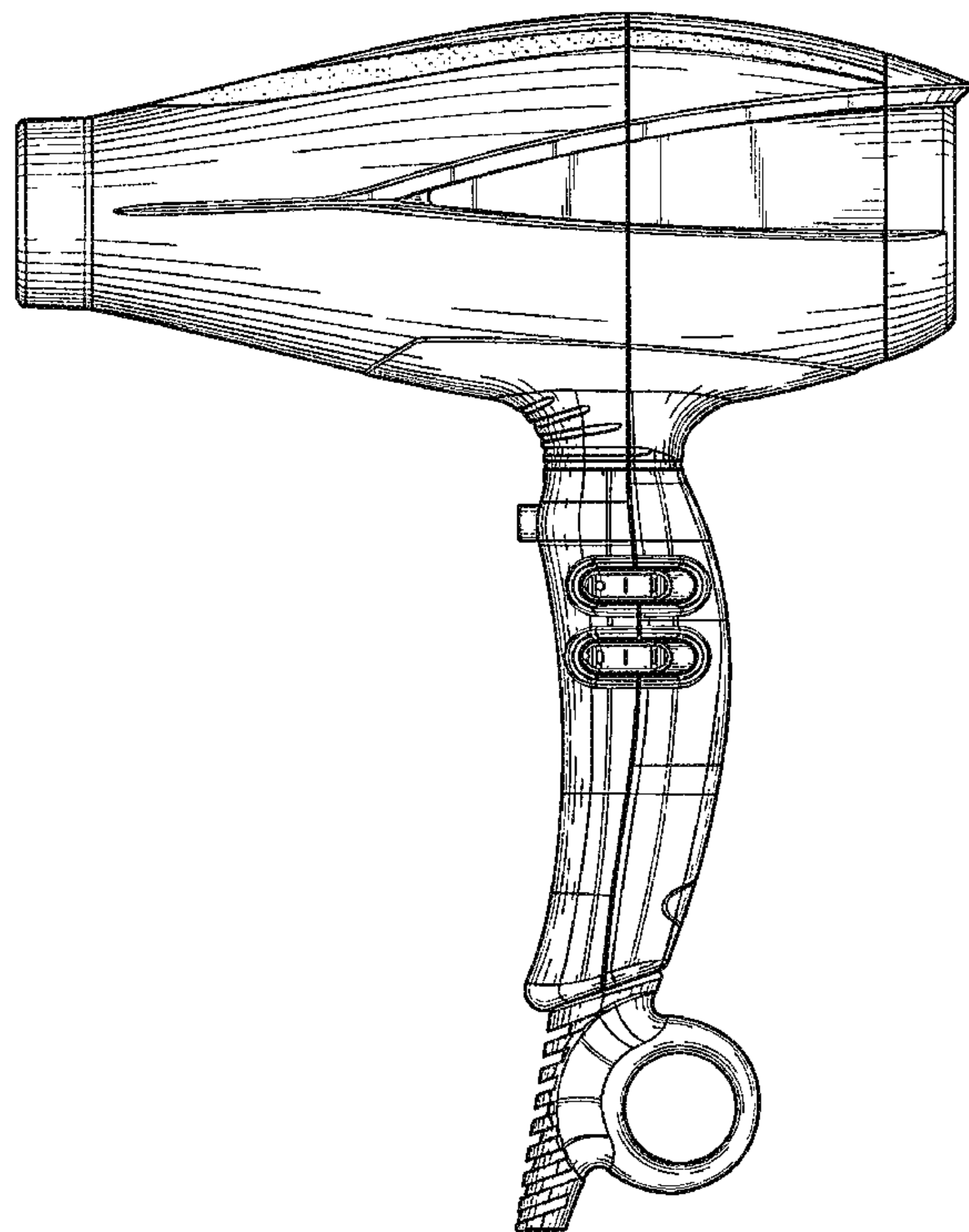
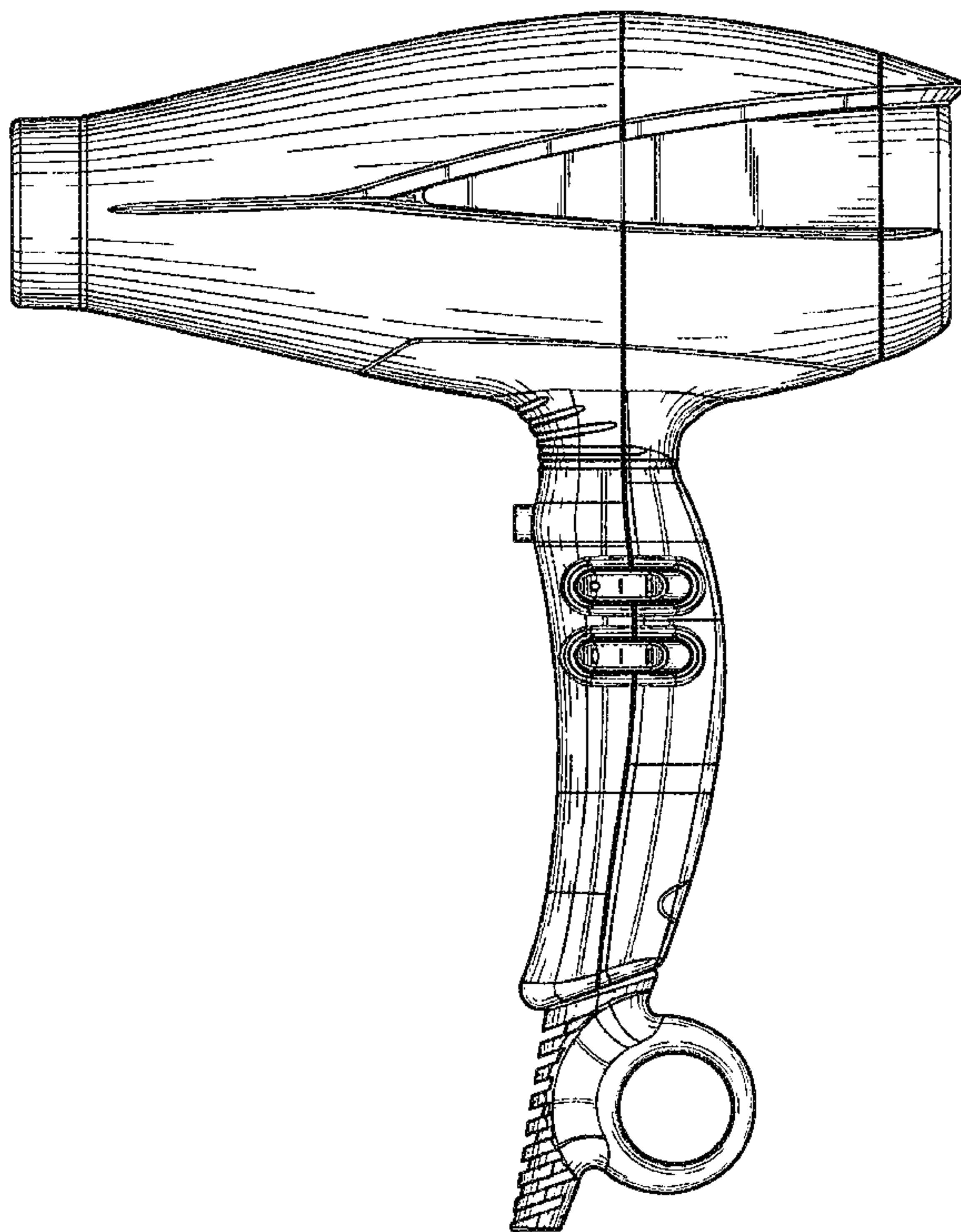
(57) **CLAIM**

The ornamental design for a hair dryer, as shown and described.

**DESCRIPTION**

FIG. 1 is a front view of an embodiment of a hair dryer according to the present invention;  
 FIG. 2 is a left side view of the hair dryer in FIG. 1;  
 FIG. 3 is a right side view of the hair dryer in FIG. 1;  
 FIG. 4 is a back side view of the hair dryer in FIG. 1;  
 FIG. 5 is a top view of the hair dryer in FIG. 1;  
 FIG. 6 is a bottom view of the hair dryer in FIG. 1;  
 FIG. 7 is a perspective view of the hair dryer in FIG. 1;  
 FIG. 8 is a front view of another embodiment of a hair dryer according to the present invention;  
 FIG. 9 is a left side view of the hair dryer in FIG. 8;  
 FIG. 10 is a right side view of the hair dryer in FIG. 8;  
 FIG. 11 is a back side view of the hair dryer in FIG. 8;  
 FIG. 12 is a top view of the hair dryer in FIG. 8;  
 FIG. 13 is a bottom view of the hair dryer in FIG. 8; and,  
 FIG. 14 is a perspective view of the hair dryer in FIG. 8.

**1 Claim, 14 Drawing Sheets**



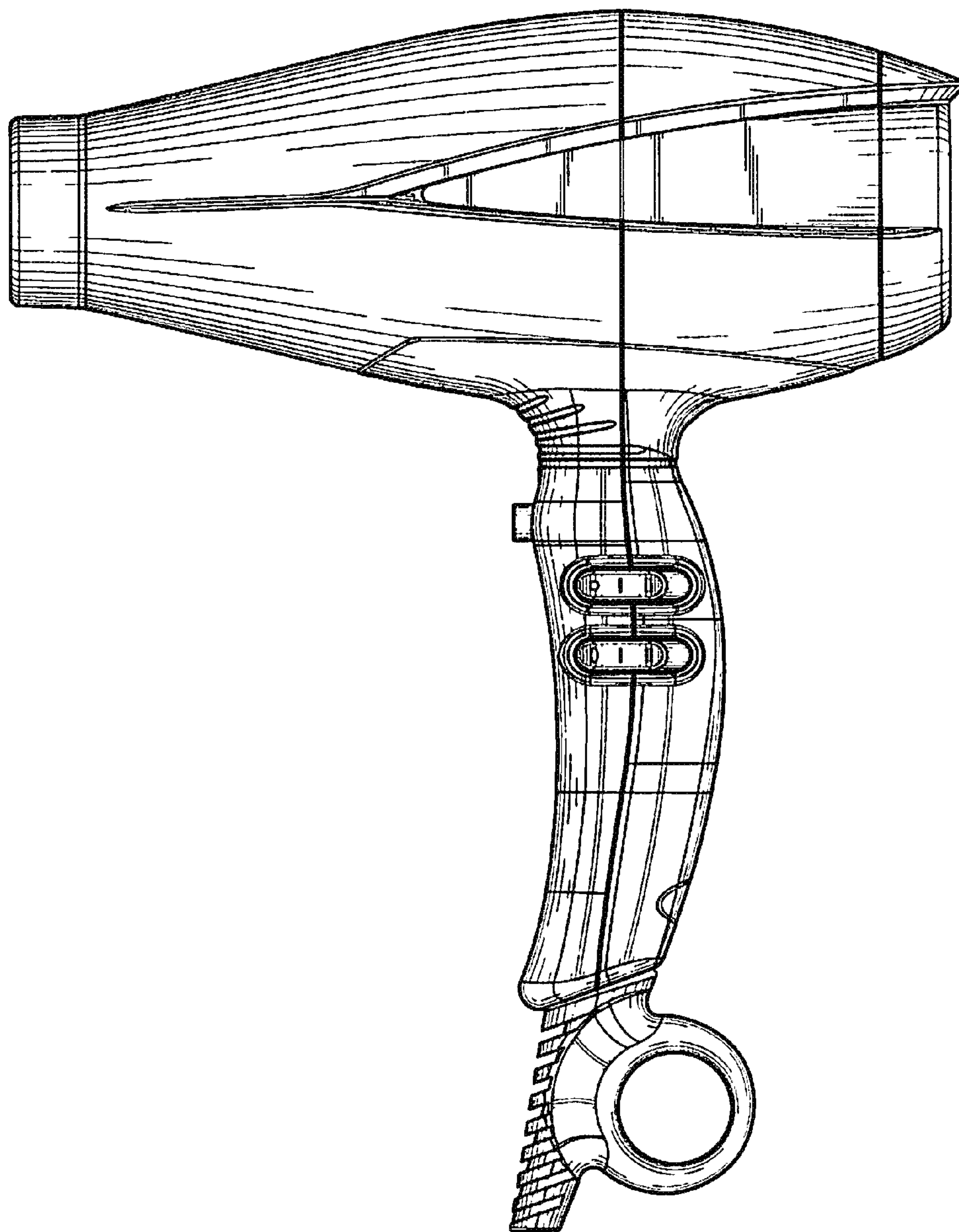


FIG. 1

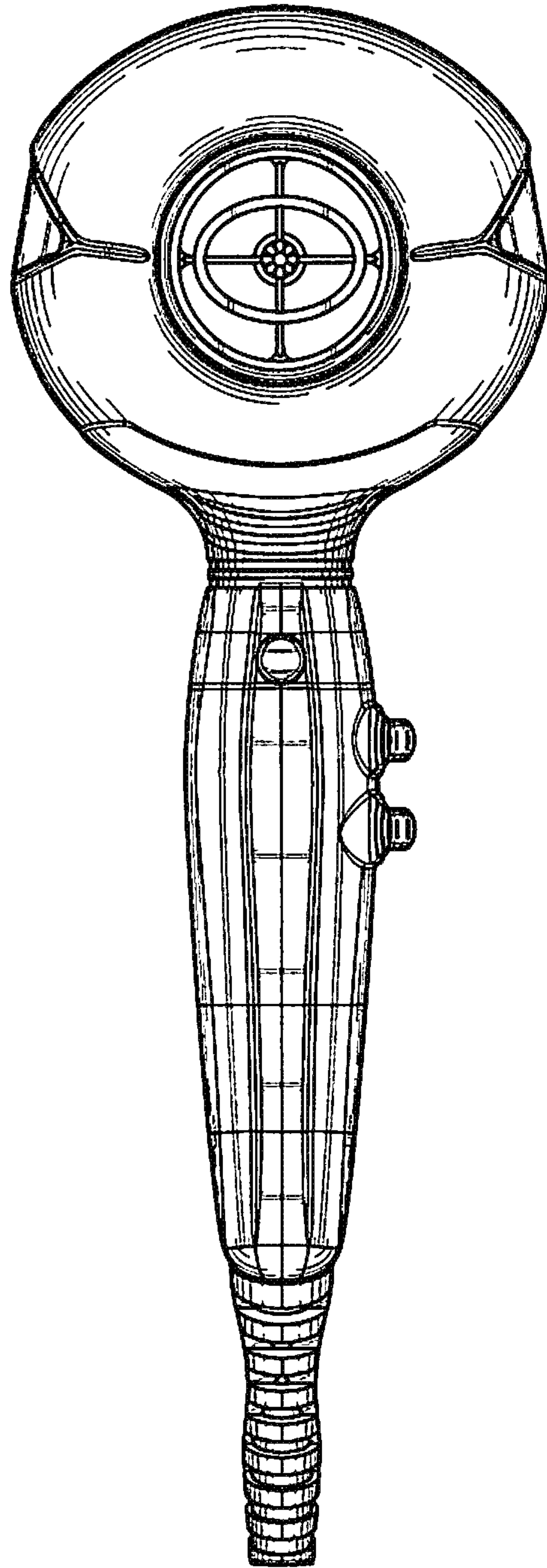


FIG. 2



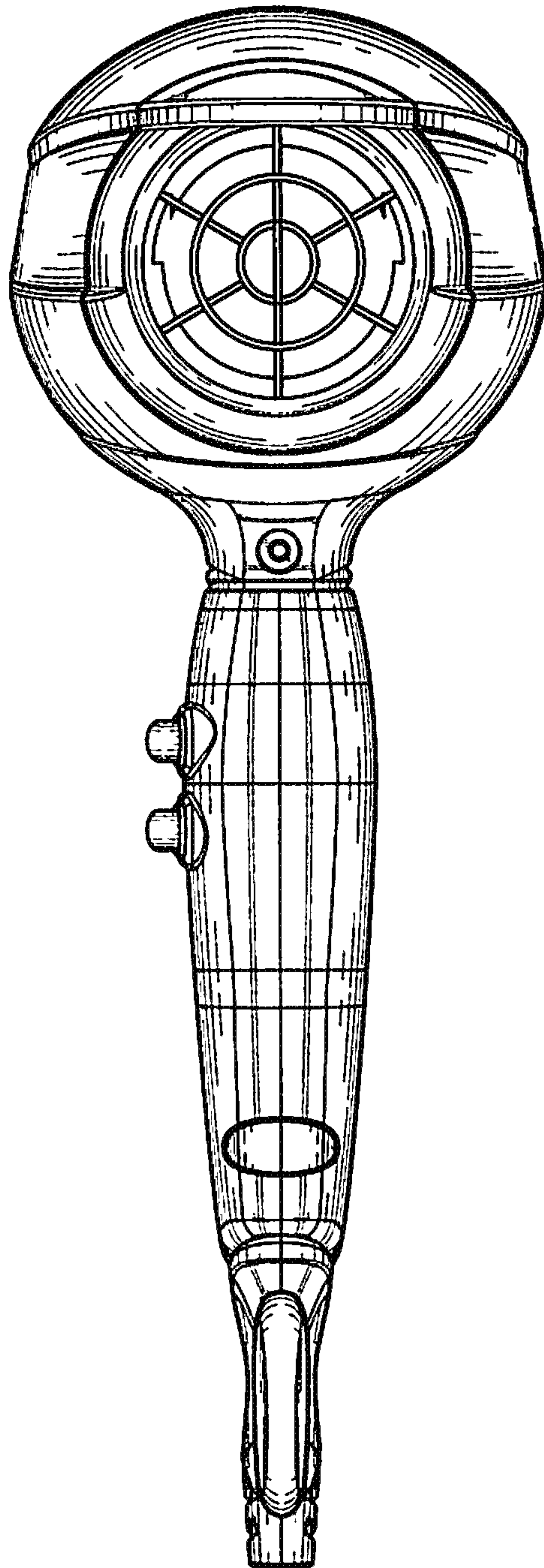


FIG. 3

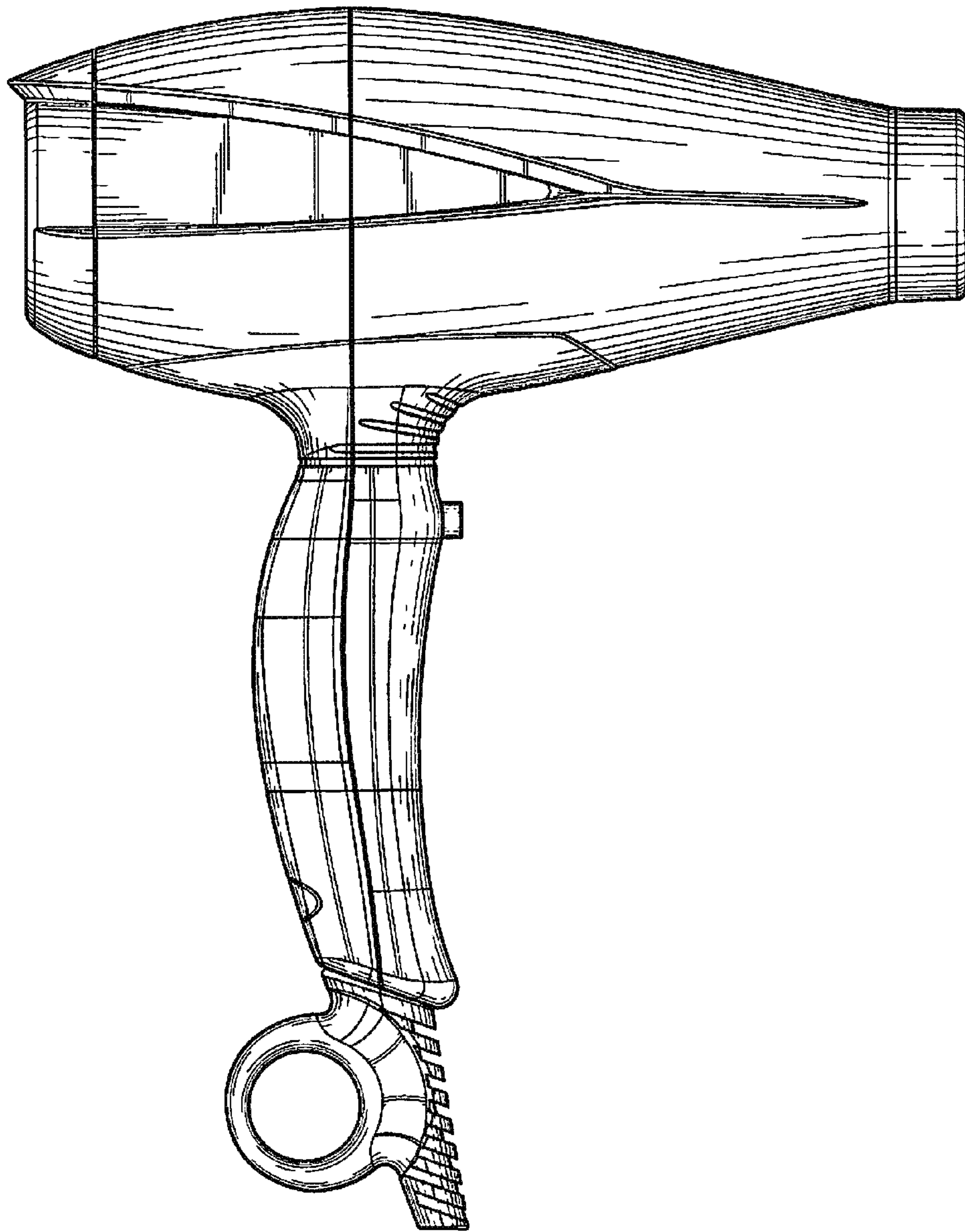


FIG. 4

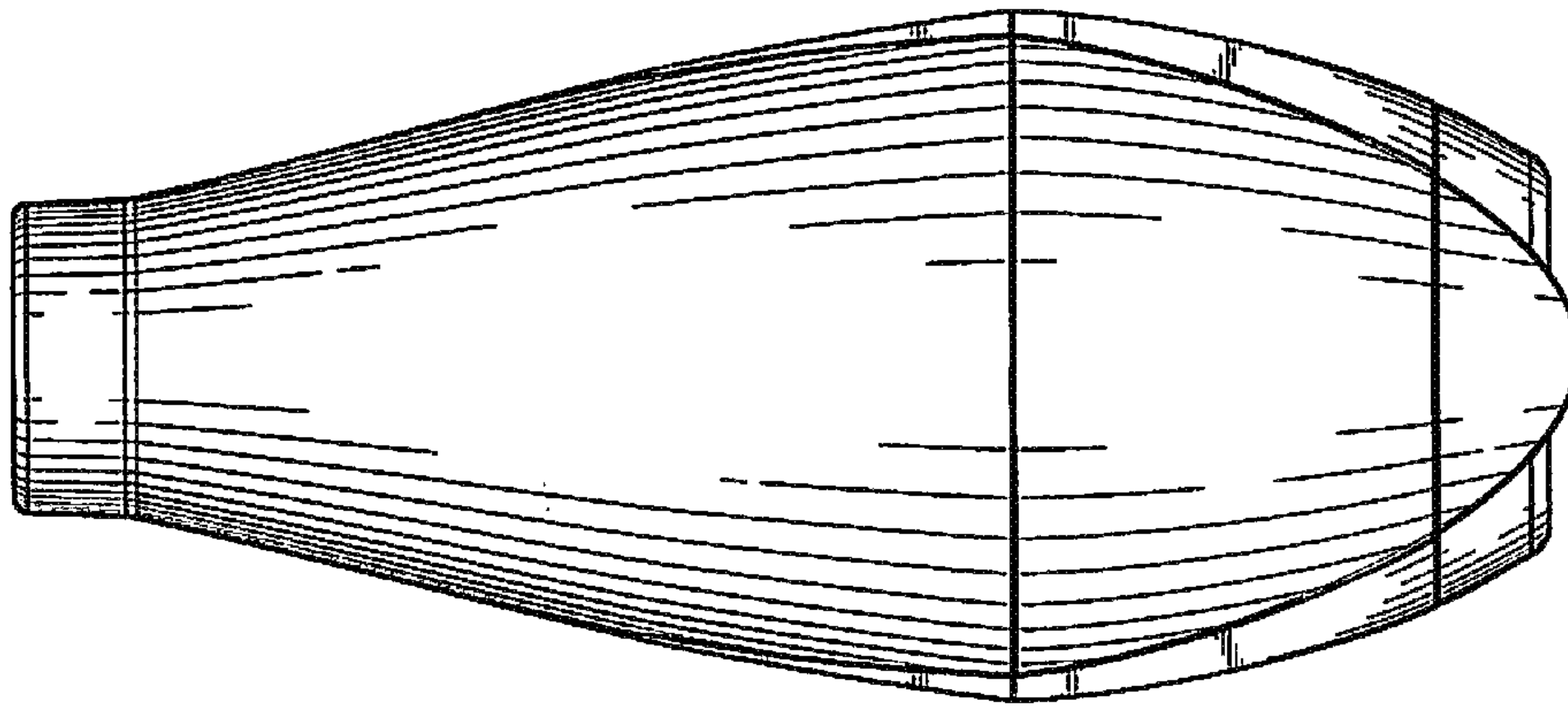


FIG. 5

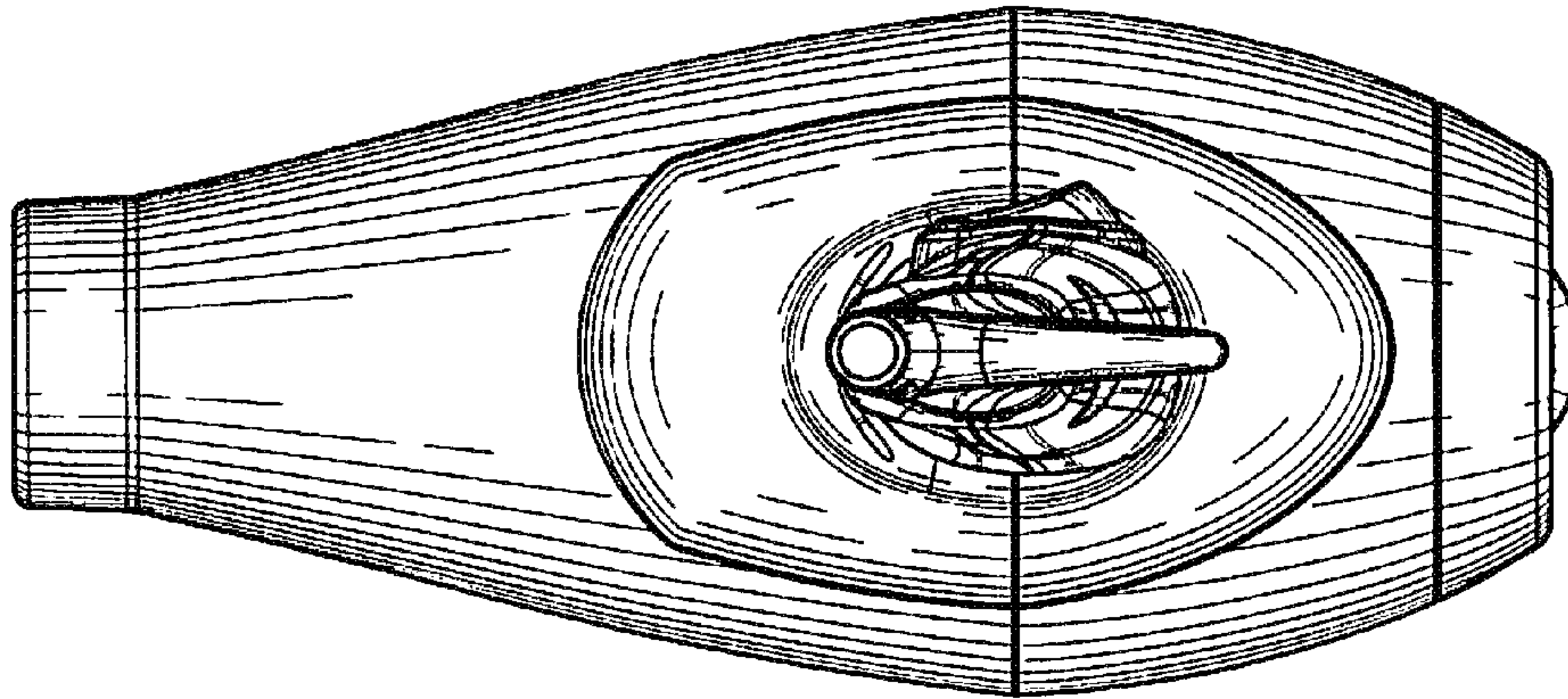


FIG. 6

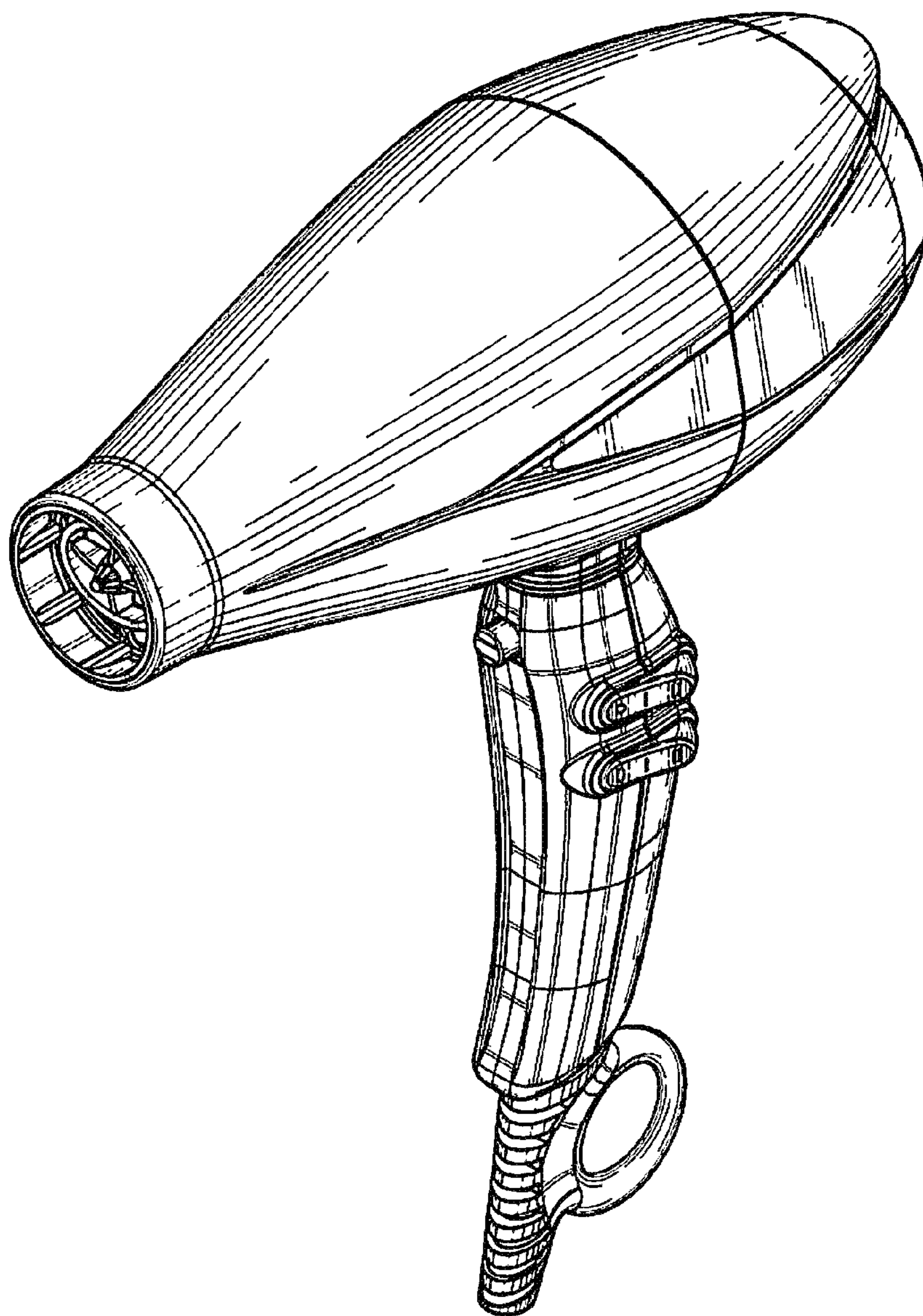


FIG. 7



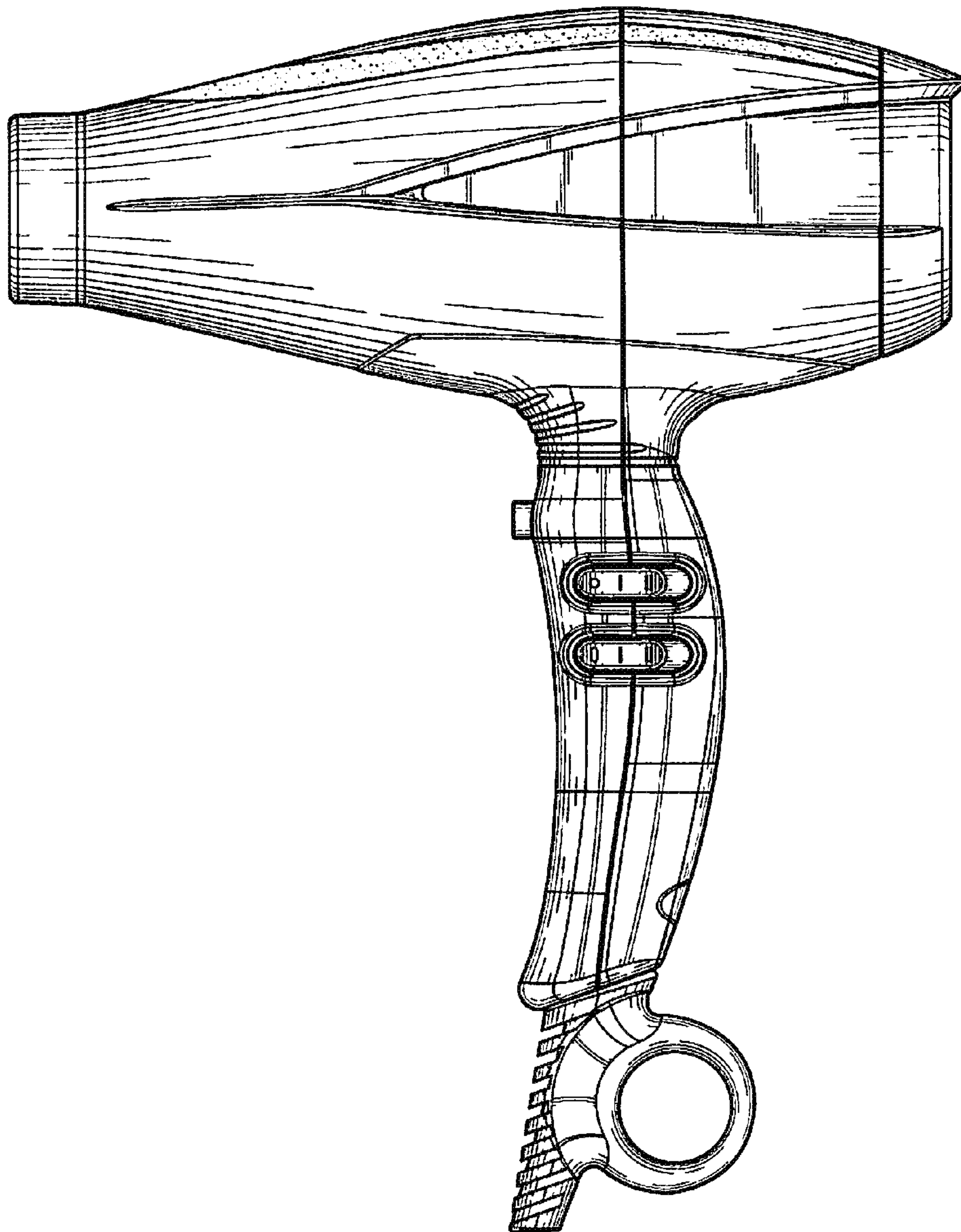


FIG. 8

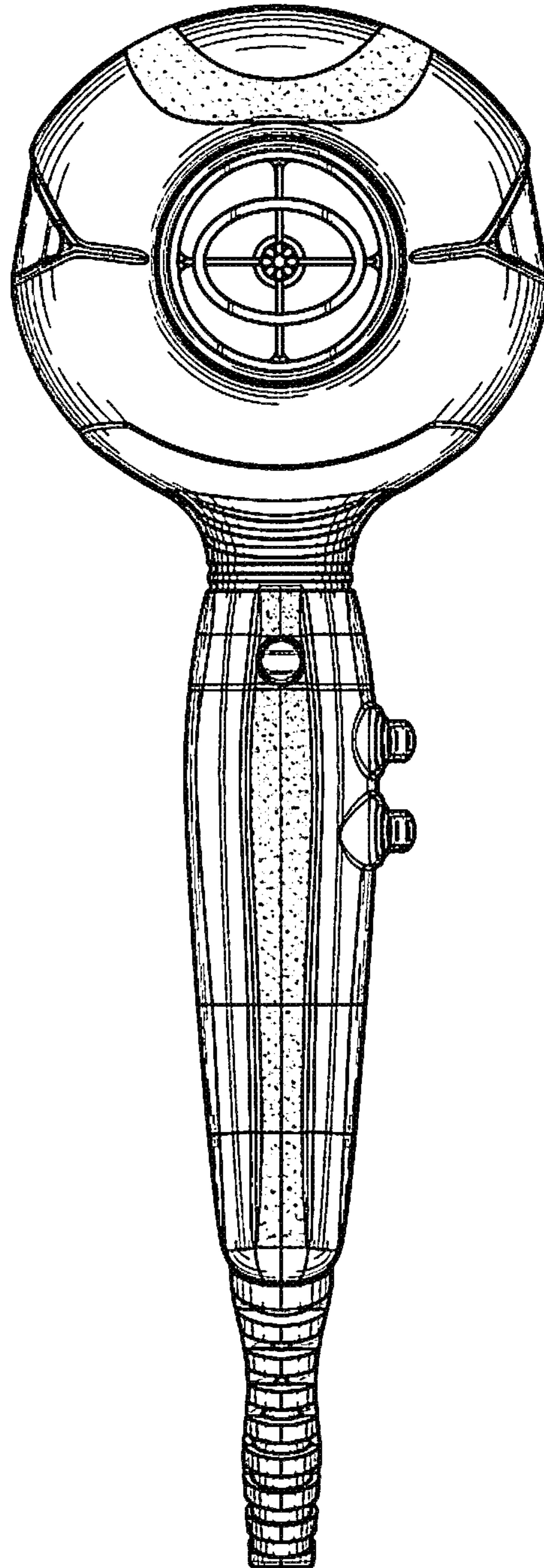


FIG. 9

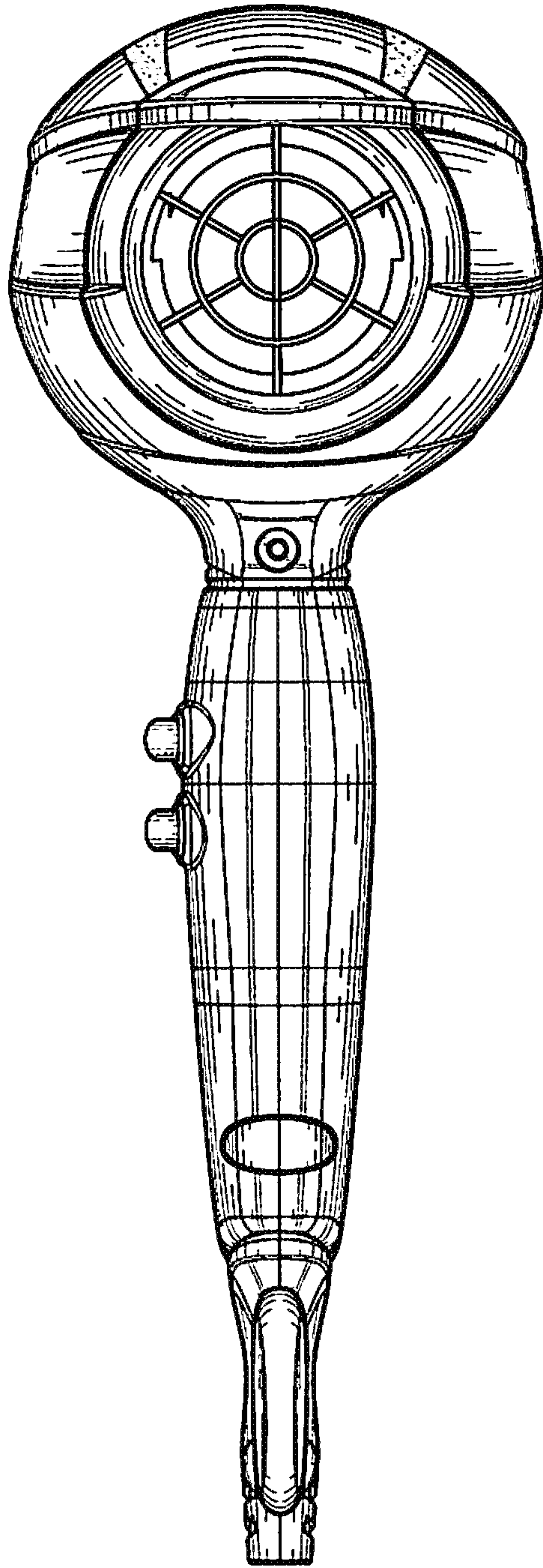


FIG. 10

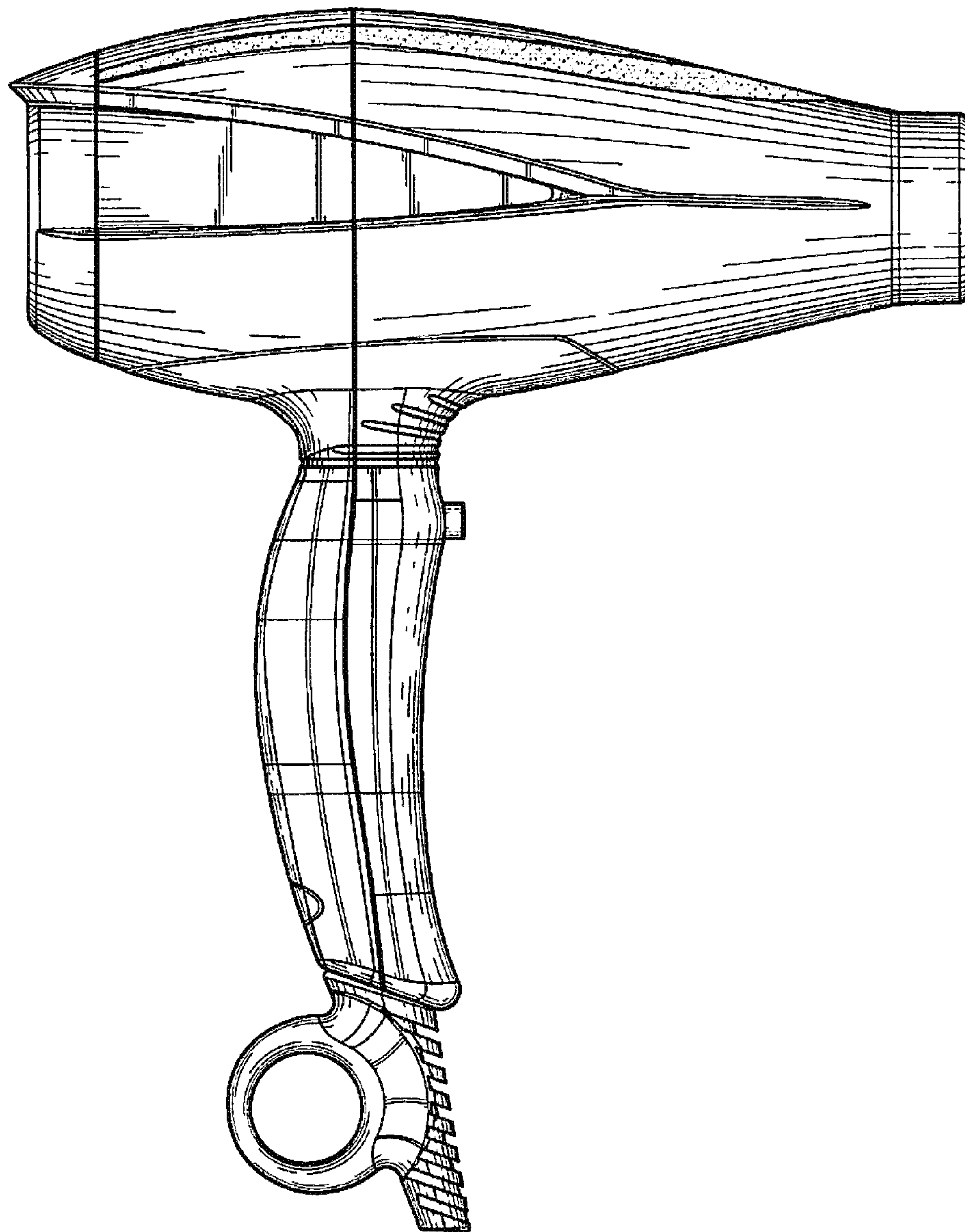


FIG. 11



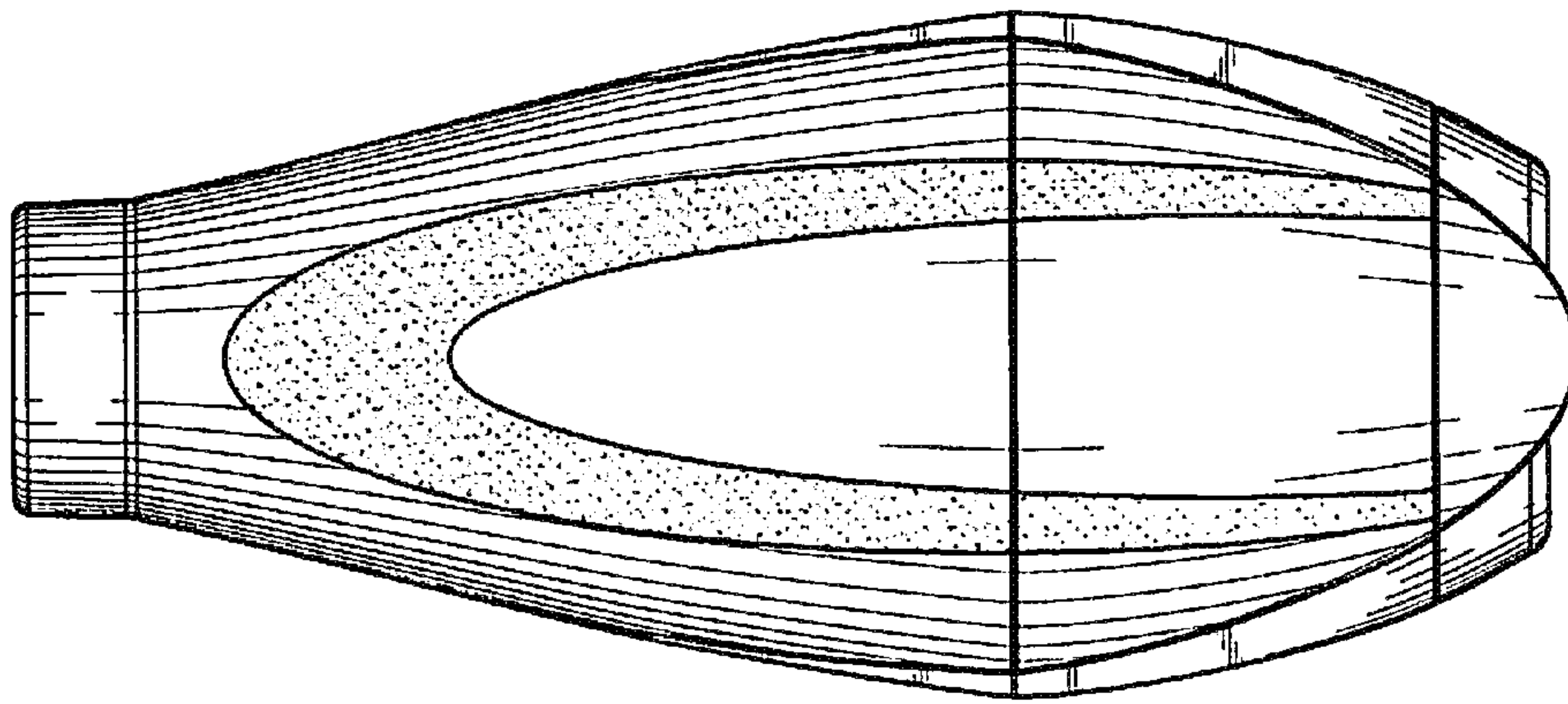


FIG. 12

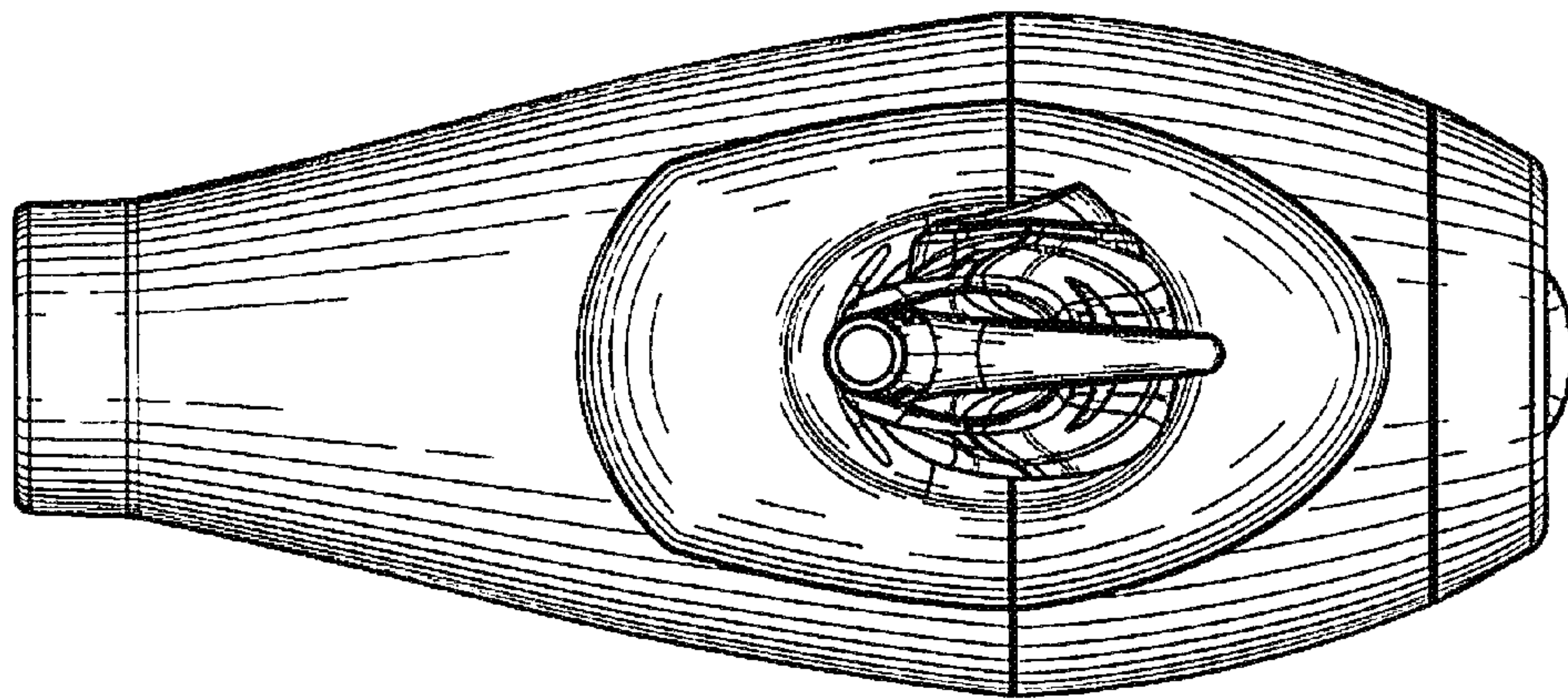


FIG. 13

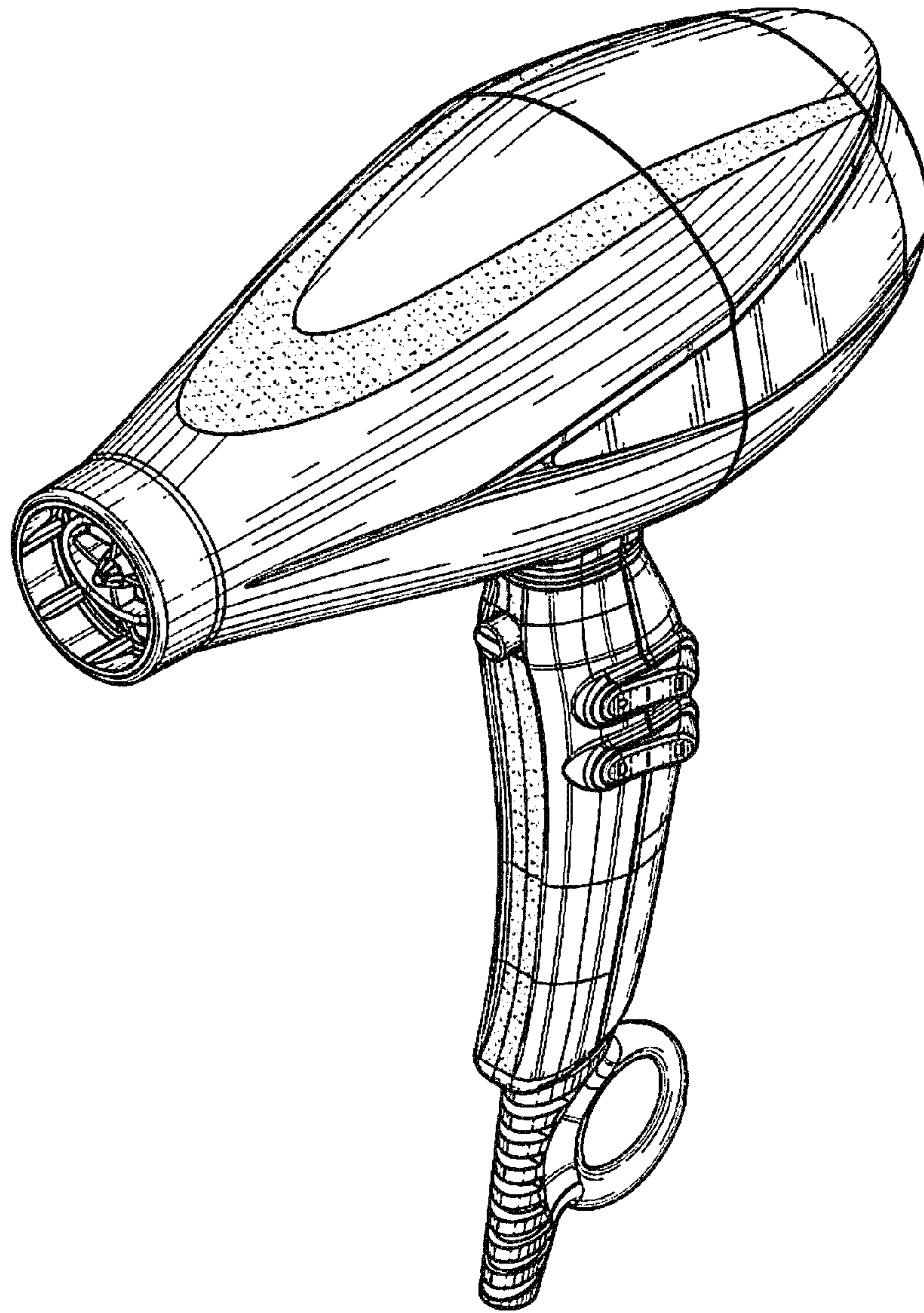


FIG. 14