



US00D716996S

(12) **United States Design Patent**
Schuyler

(10) **Patent No.:** **US D716,996 S**
(45) **Date of Patent:** **** Nov. 4, 2014**

(54) **LIGHT FIXTURE**

(71) Applicant: **Swarovski Lighting, Ltd.**, Plattsburgh,
NY (US)
(72) Inventor: **Andrew Schuyler**, Colchester, VT (US)
(73) Assignee: **Swarovski Lighting, Ltd.**, Plattsburgh,
NY (US)

(**) Term: **14 Years**
(21) Appl. No.: **29/489,643**
(22) Filed: **May 1, 2014**

Related U.S. Application Data

(62) Division of application No. 29/473,162, filed on Nov.
19, 2013, now Pat. No. Des. 709,243.
(51) **LOC (10) Cl.** **26-99**
(52) **U.S. Cl.**
USPC **D26/145; D26/87**
(58) **Field of Classification Search**
USPC D26/80-84, 86, 87, 88, 90, 143, 144,
D26/145, 152-155; 362/147, 404-408, 431,
362/432
See application file for complete search history.

(56) **References Cited**

U.S. PATENT DOCUMENTS

1,492,010 A * 4/1924 Williamson 362/392
D72,077 S * 3/1927 Aglow D26/144
D72,451 S * 4/1927 Seidell D26/155
D91,114 S * 11/1933 Hildebrand D26/145
D422,740 S * 4/2000 Hsu D26/87
D431,666 S * 10/2000 Hsieh D26/86
D441,485 S * 5/2001 Dolan D26/86
D481,150 S * 10/2003 Lee D26/81
D499,203 S * 11/2004 Bayer D26/154
D558,918 S * 1/2008 Rhodes D26/145
D575,438 S * 8/2008 Young D26/87
D578,700 S * 10/2008 Chen D26/81
D587,388 S * 2/2009 Pan D26/59

D588,293 S * 3/2009 Walsh D26/81
D602,190 S * 10/2009 Sperling D26/81
D605,348 S * 12/2009 Miranda D26/144
D610,737 S * 2/2010 Chandler D26/81
D629,141 S * 12/2010 Sperling D26/87
D665,118 S * 8/2012 Lastimoso D26/81
D694,950 S * 12/2013 Orozco D26/144
D707,388 S * 6/2014 Park D26/155
D709,243 S * 7/2014 Schuyler D26/144

OTHER PUBLICATIONS

Kolarz Montblanc Crystal Chandelier Chrome, printout available
online on Nov. 19, 2013 at: [http://lighting-deluxe.co.uk/chandeliers/
616-kolarz-montblanc-crystal-chandelier-chrome-9008447189112.
html](http://lighting-deluxe.co.uk/chandeliers/616-kolarz-montblanc-crystal-chandelier-chrome-9008447189112.html), 1 page.
Kolarz Montblanc Candle Sconce in Chrome Plated, printout avail-
able online on Nov. 19, 2013 at: [http://www.wayfair.co.uk/Kolarz-
Montblanc-Candle-Sconce-in-Chrome-Plated-0230.62.5.KpSsT-
KOD2070.html](http://www.wayfair.co.uk/Kolarz-Montblanc-Candle-Sconce-in-Chrome-Plated-0230.62.5.KpSsT-KOD2070.html), 1 page.

* cited by examiner

Primary Examiner — Clare E Heflin

(74) *Attorney, Agent, or Firm* — Heslin Rothenberg Farley
& Mesiti P.C.

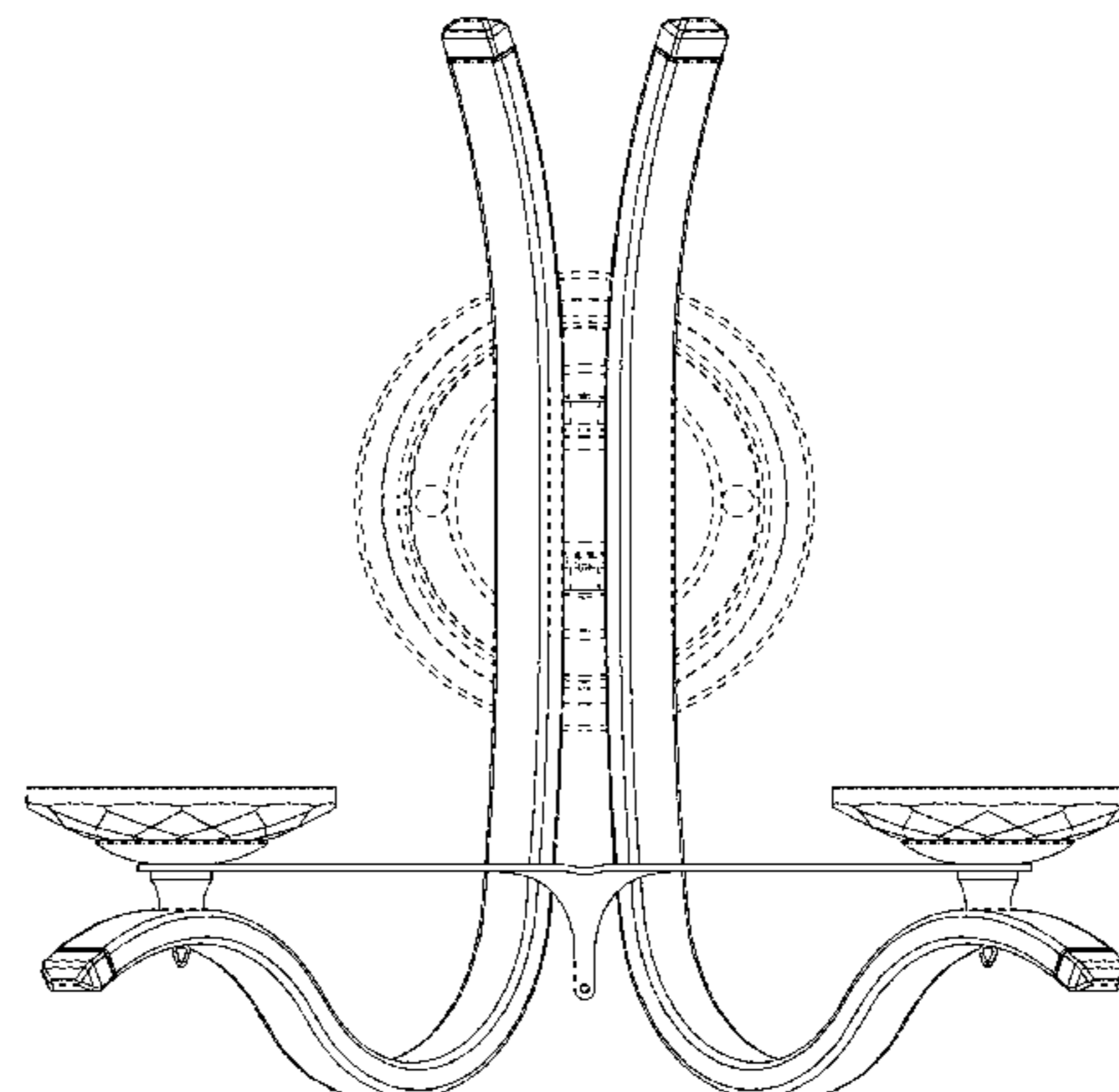
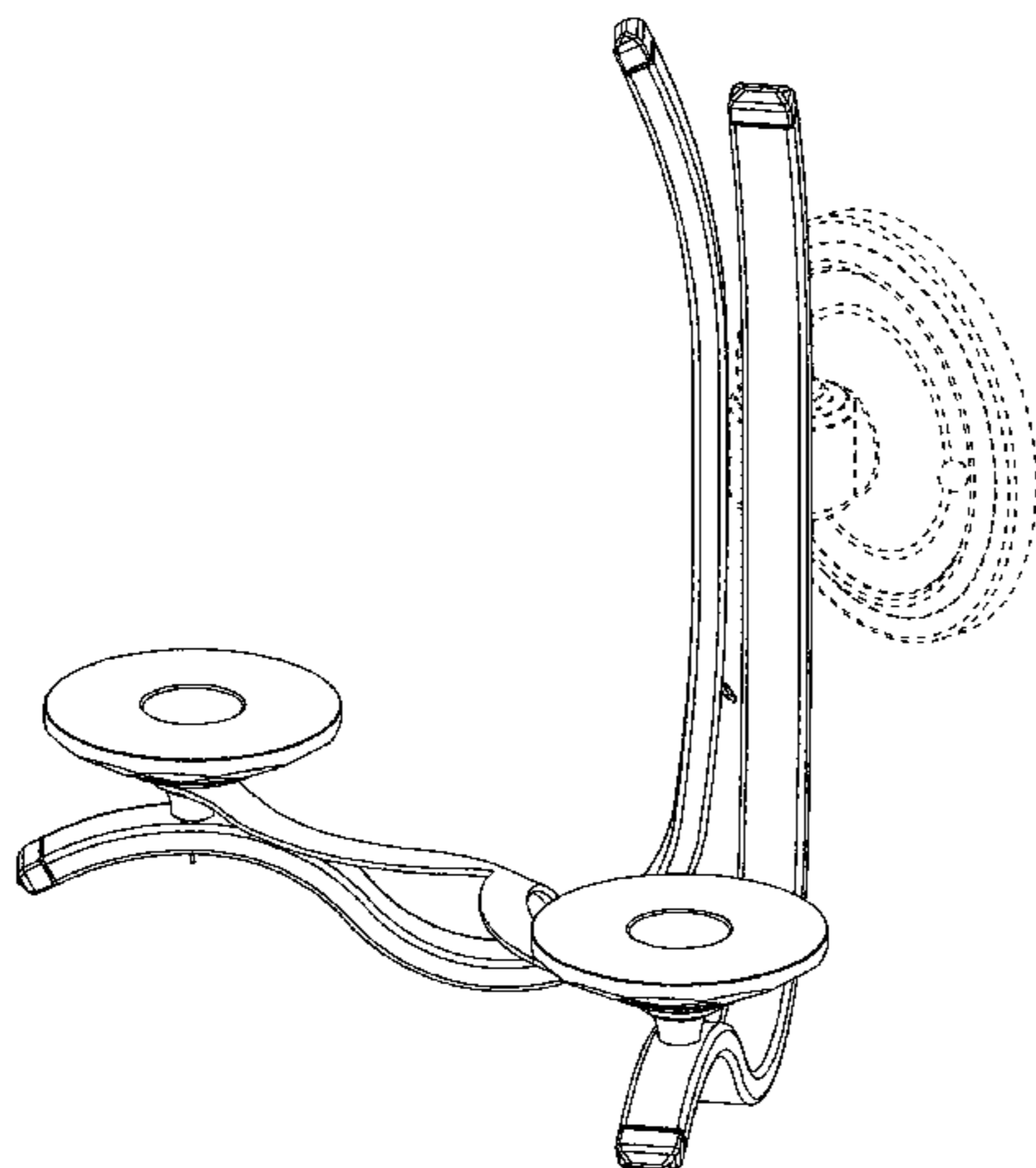
(57) **CLAIM**

The ornamental design for a light fixture, as shown and
described.

DESCRIPTION

FIG. 1 is a perspective view of the light fixture of the present
invention;
FIG. 2 is a front elevation view thereof;
FIG. 3 is a right side elevation view thereof;
FIG. 4 is a rear elevation view thereof;
FIG. 5 is a left side elevation view thereof;
FIG. 6 is a top plan view thereof; and,
FIG. 7 is a bottom plan view thereof.
The broken lines in the figures are for illustrative purposes
only and form no part of the claimed invention.

1 Claim, 7 Drawing Sheets



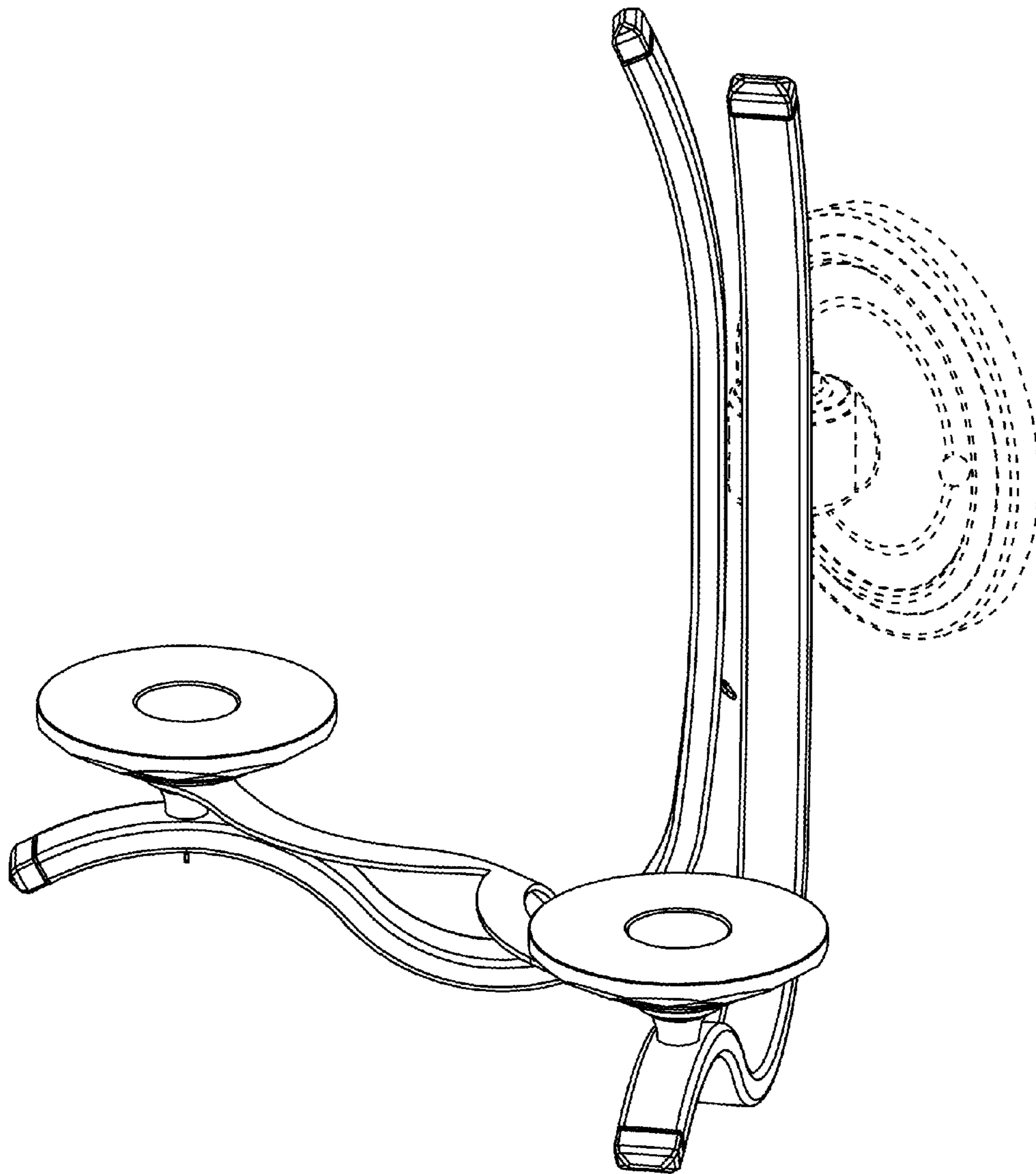


FIG. 1

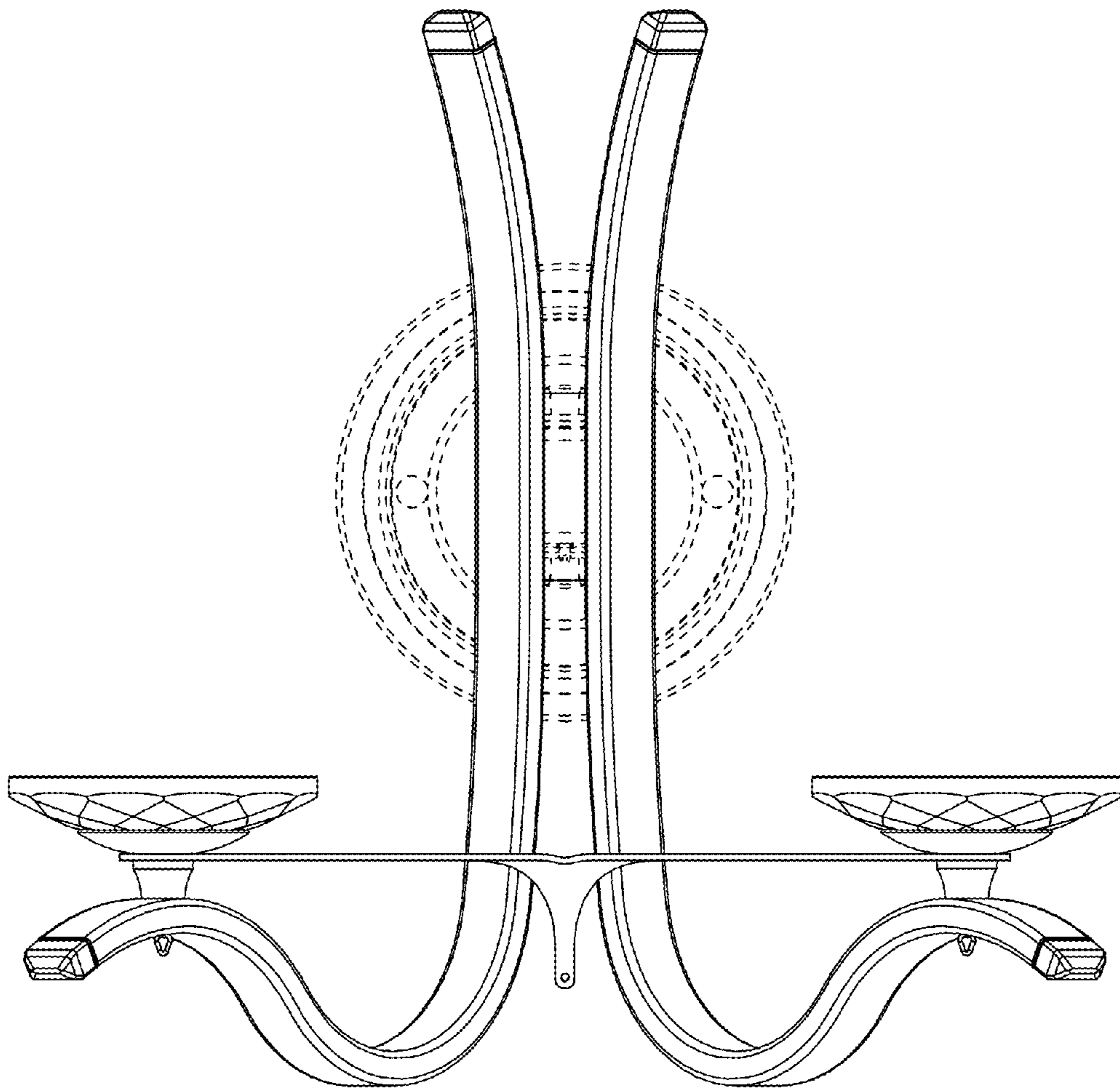


FIG. 2

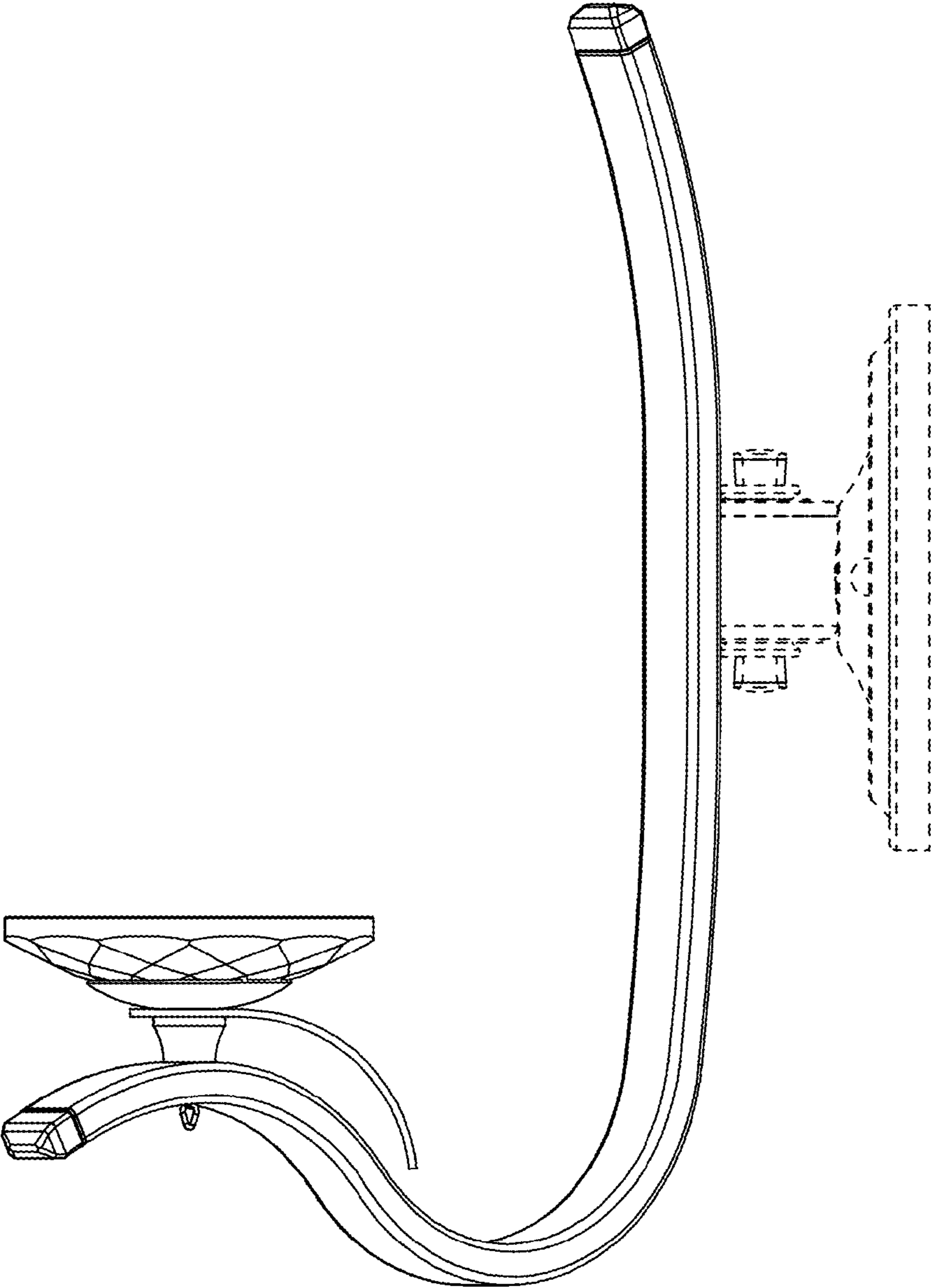


FIG. 3

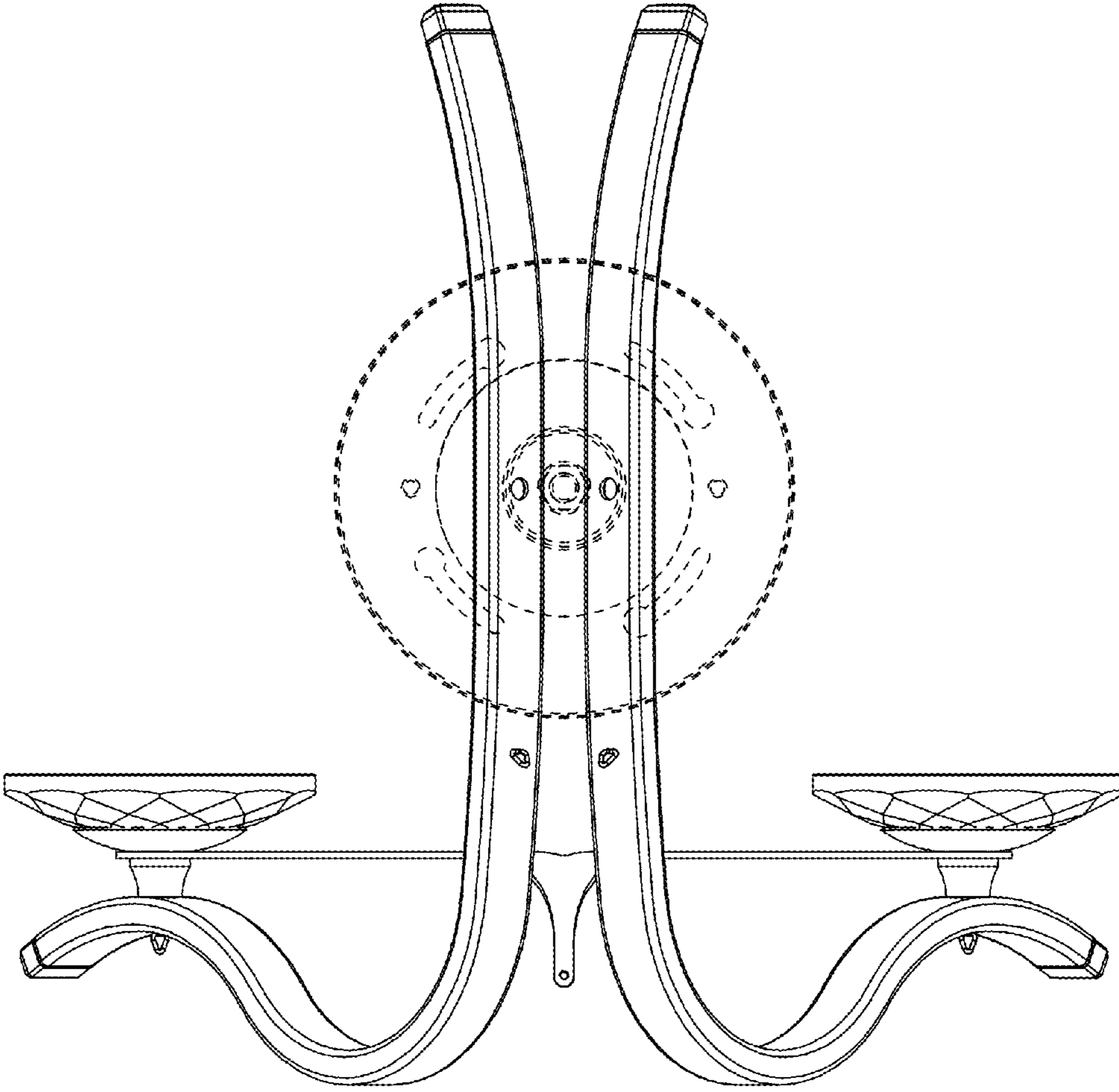


FIG. 4

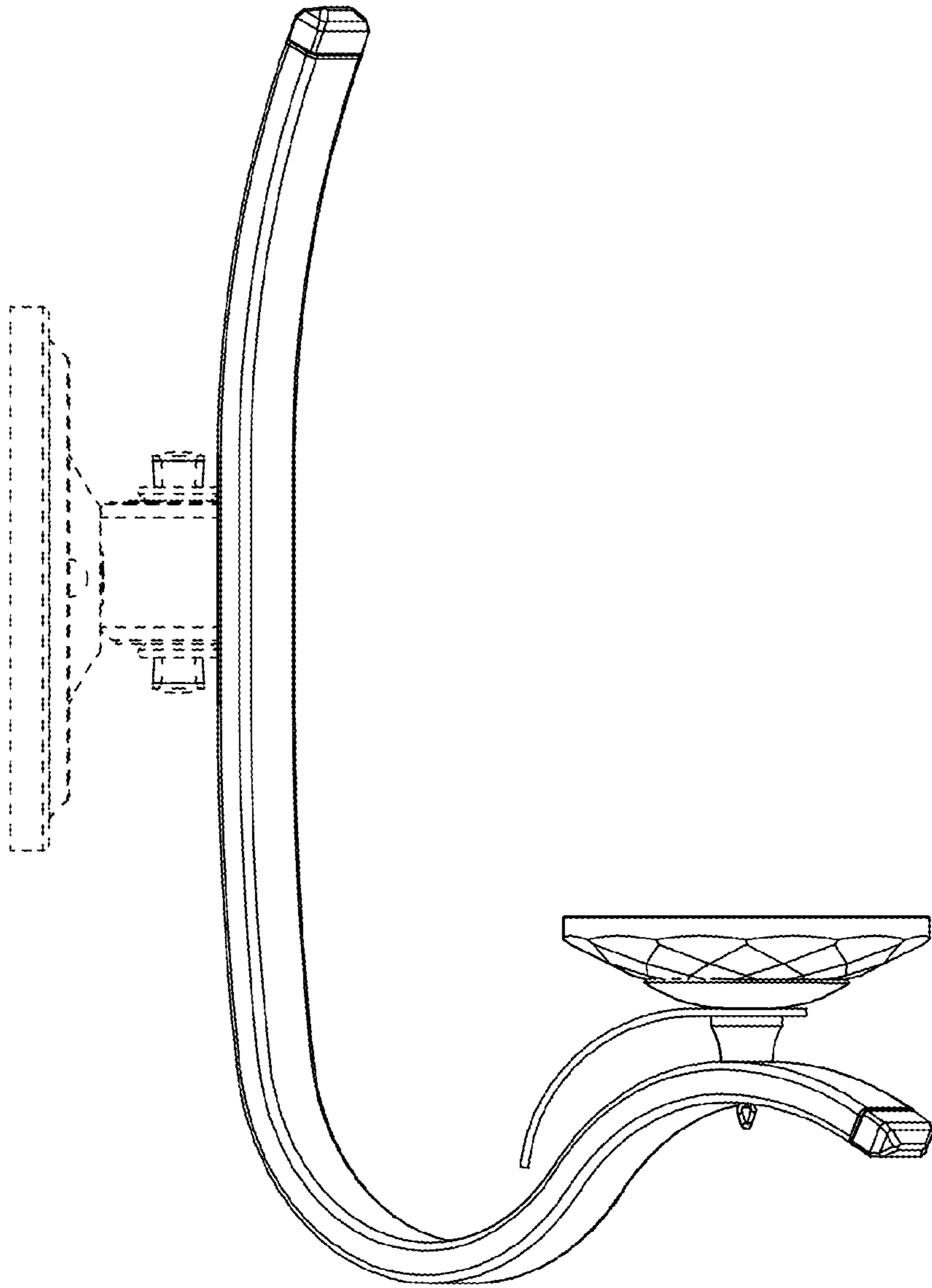


FIG. 5

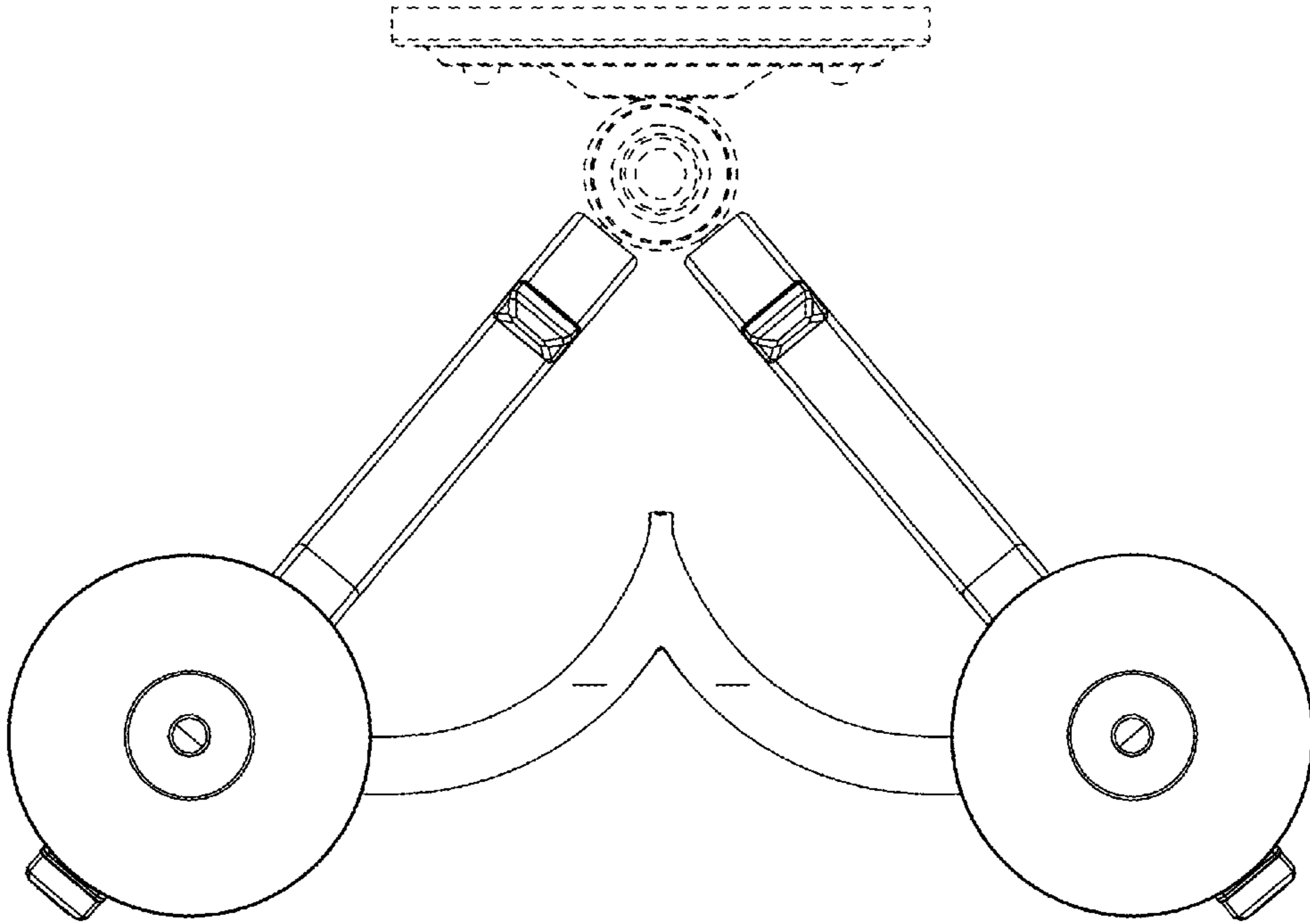


FIG. 6

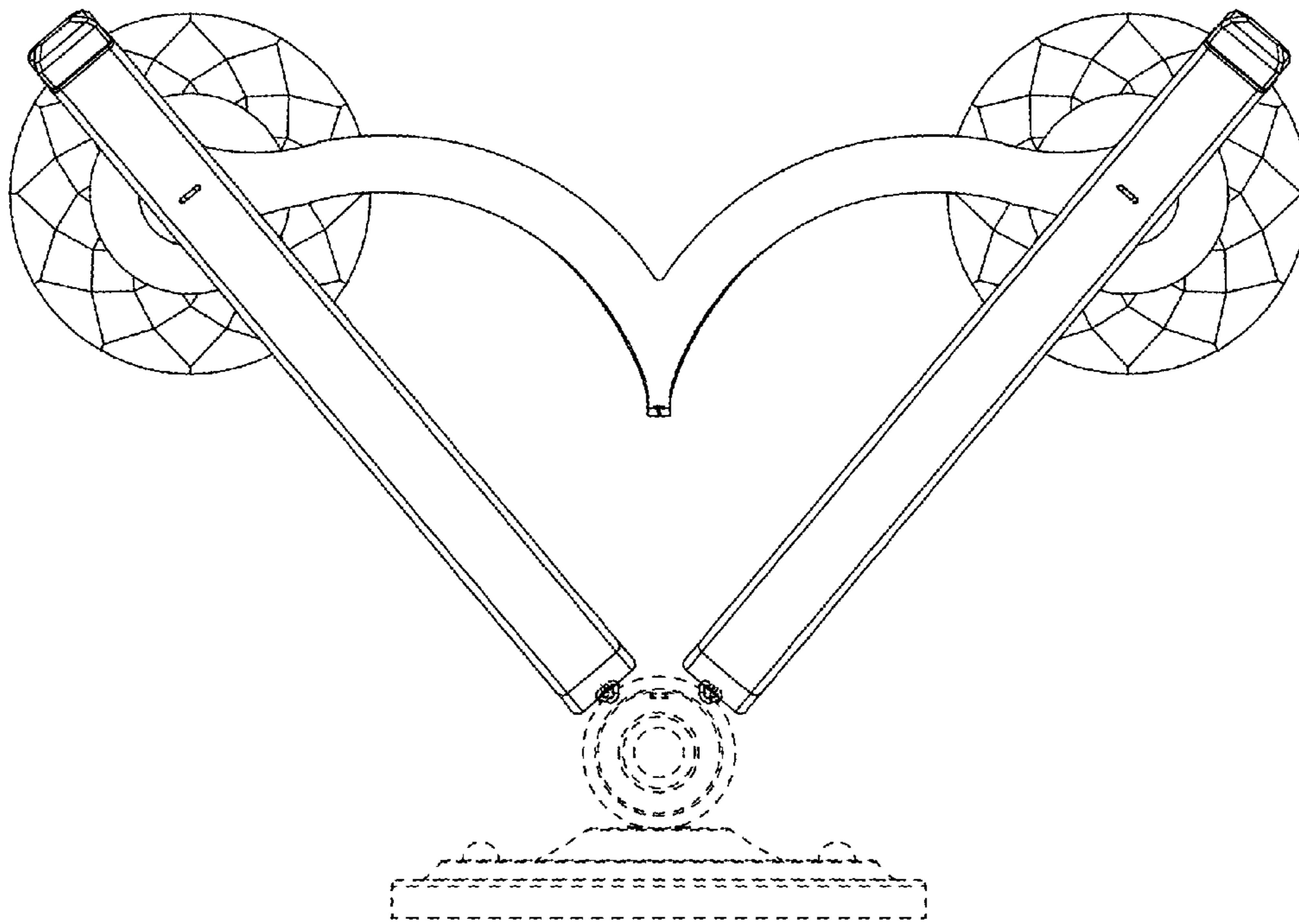


FIG. 7