



US00D716995S

(12) **United States Design Patent**
Zhu et al.

(10) **Patent No.:** **US D716,995 S**

(45) **Date of Patent:** **** Nov. 4, 2014**

(54) **PANEL LAMP**

(71) Applicant: **Kinglumi Co., Limited**, Shenzhen (CN)

(72) Inventors: **Dongliang Zhu**, Shenzhen (CN);
Huaifeng Xu, Shenzhen (CN)

(73) Assignee: **Kinglumi Co., Limited**, Shenzhen (CN)

(**) Term: **14 Years**

(21) Appl. No.: **29/486,887**

(22) Filed: **Apr. 3, 2014**

(51) **LOC (10) Cl.** **26-99**

(52) **U.S. Cl.**
USPC **D26/122**

(58) **Field of Classification Search**
USPC D26/85, 86, 89, 87, 113, 120, 122, 124,
D26/125, 118, 119, 128, 92, 65, 64, 63, 66,
D26/67, 69, 1, 2, 74, 75, 76, 78; 362/364,
362/362, 342, 223, 236, 247, 224, 147;
D13/179, 180

See application file for complete search history.

(56) **References Cited**

U.S. PATENT DOCUMENTS

3,209,142	A *	9/1965	Michel et al.	362/236
4,117,532	A *	9/1978	Arbib	362/358
D284,110	S *	6/1986	Mullins	D26/76
D339,203	S *	9/1993	Namenye et al.	D26/85
D365,409	S *	12/1995	Lu	D26/77
D395,727	S *	6/1998	Thorton, Jr.	D26/76
D404,164	S *	1/1999	Vakil	D26/85
D413,402	S *	8/1999	Ranieri et al.	D26/74
D463,059	S *	9/2002	Verfuerth	D26/78
D486,262	S *	2/2004	Chen	D26/77
7,036,957	B2 *	5/2006	Paravantsos	362/247
D531,326	S *	10/2006	Folliard	D25/163
D592,786	S *	5/2009	Bisberg et al.	D26/76
D623,340	S *	9/2010	Verfuerth et al.	D26/120
D632,006	S *	2/2011	Verfuerth et al.	D26/118
8,100,551	B2 *	1/2012	Mayfield et al.	362/223
D677,818	S *	3/2013	Steele et al.	D26/74

D677,820	S *	3/2013	Mayfield et al.	D26/74
D677,823	S *	3/2013	Haverfield	D26/85
D678,597	S *	3/2013	Lehman et al.	D26/120
D690,869	S *	10/2013	Katz et al.	D26/74
2006/0023450	A1 *	2/2006	Chung et al.	362/246
2008/0278943	A1 *	11/2008	Van Der Poel	362/240

* cited by examiner

Primary Examiner — Kevin Rudzinski

(74) *Attorney, Agent, or Firm* — Hodgson Russ LLP

(57) **CLAIM**

The ornamental design for a panel lamp, as shown and described.

DESCRIPTION

A portion of the disclosure of this patent document contains material which is subject to copyright protection. This patent document may show and/or describe matter which is or may become trade dress of the owner. The copyright and trade dress owner has no objection to the facsimile reproduction by anyone of the patent disclosure as it appears in the Patent and Trademark Office patent files or records, but otherwise reserves all copyright and trade dress rights whatsoever.

FIG. 1 is bottom perspective view of the panel lamp showing my new design;

FIG. 2 is a top perspective view thereof;

FIG. 3 is a front view thereof, the rear view being mirror symmetrical;

FIG. 4 is a left side view thereof, the right side view being mirror symmetrical;

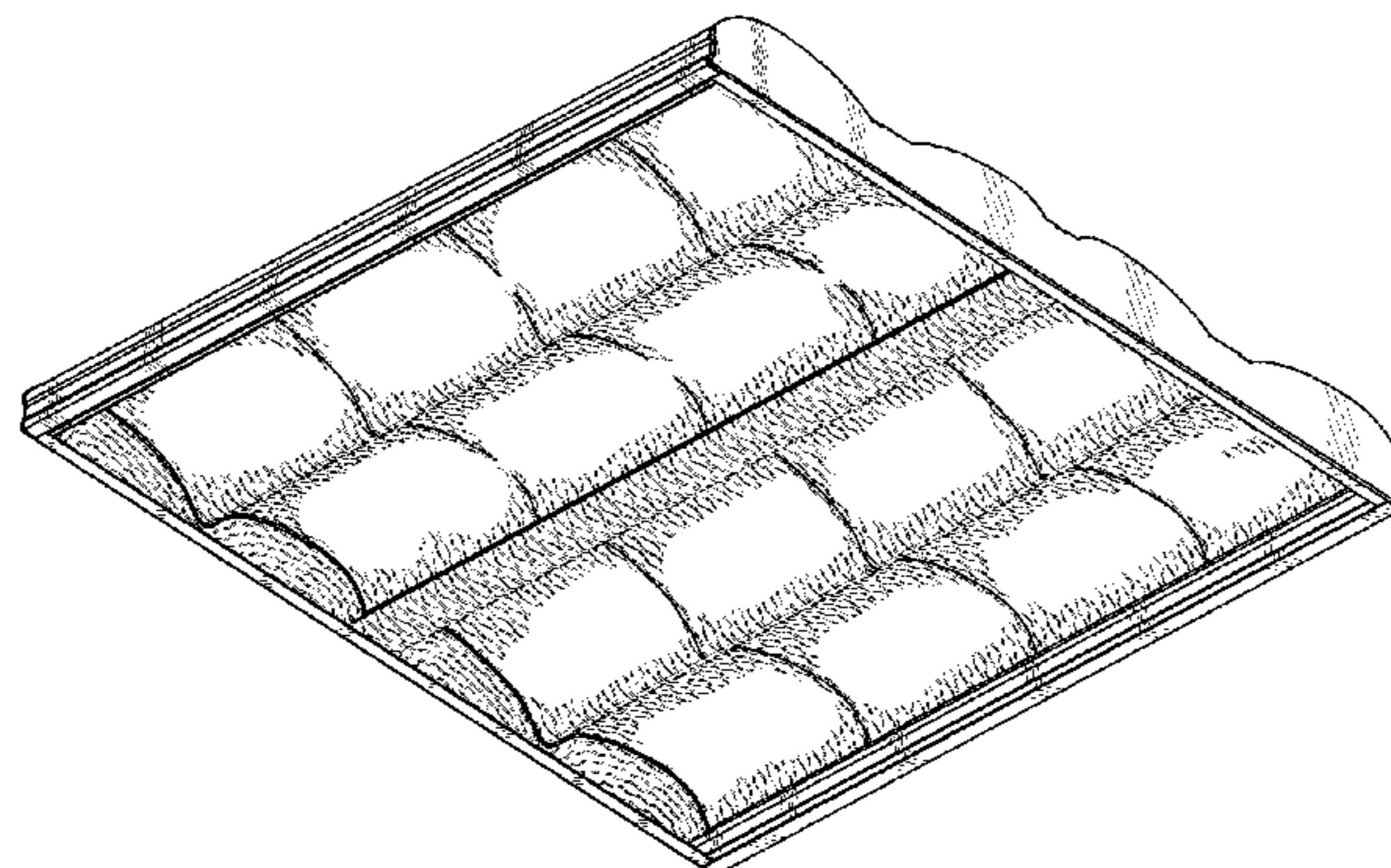
FIG. 5 is a top view thereof;

FIG. 6 is a bottom view thereof; and,

FIG. 7 is an enlarged portion of the panel lamp showing the grooved pattern in detail.

The grooved pattern is partially shown in FIGS. 1 and 6 for ease of illustration. It should be understood that the grooved pattern repeats uniformly throughout the removed portions. The broken line of FIG. 7 is used to indicate a boundary line that does not form a part of the claimed design.

1 Claim, 7 Drawing Sheets



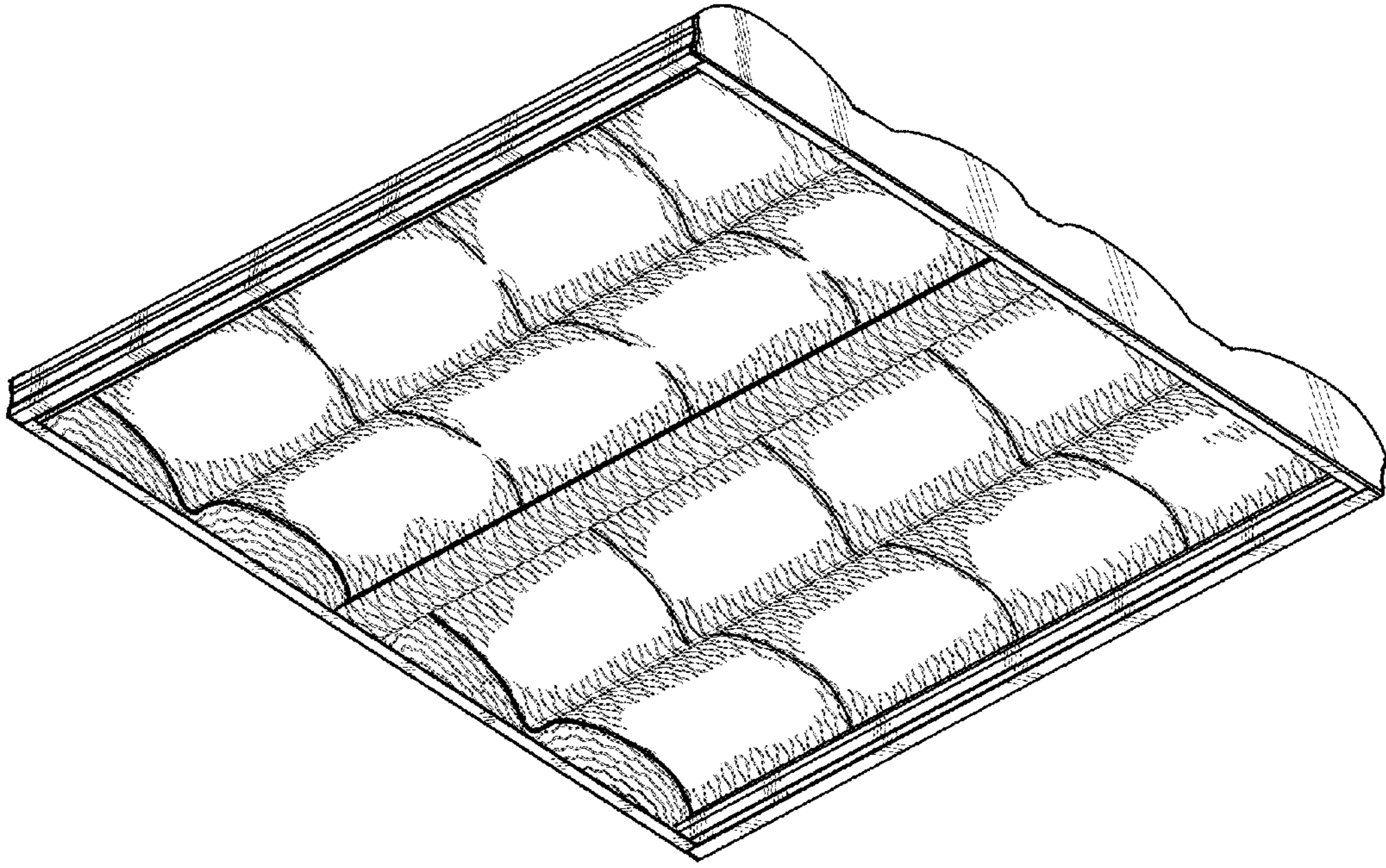


Fig.1

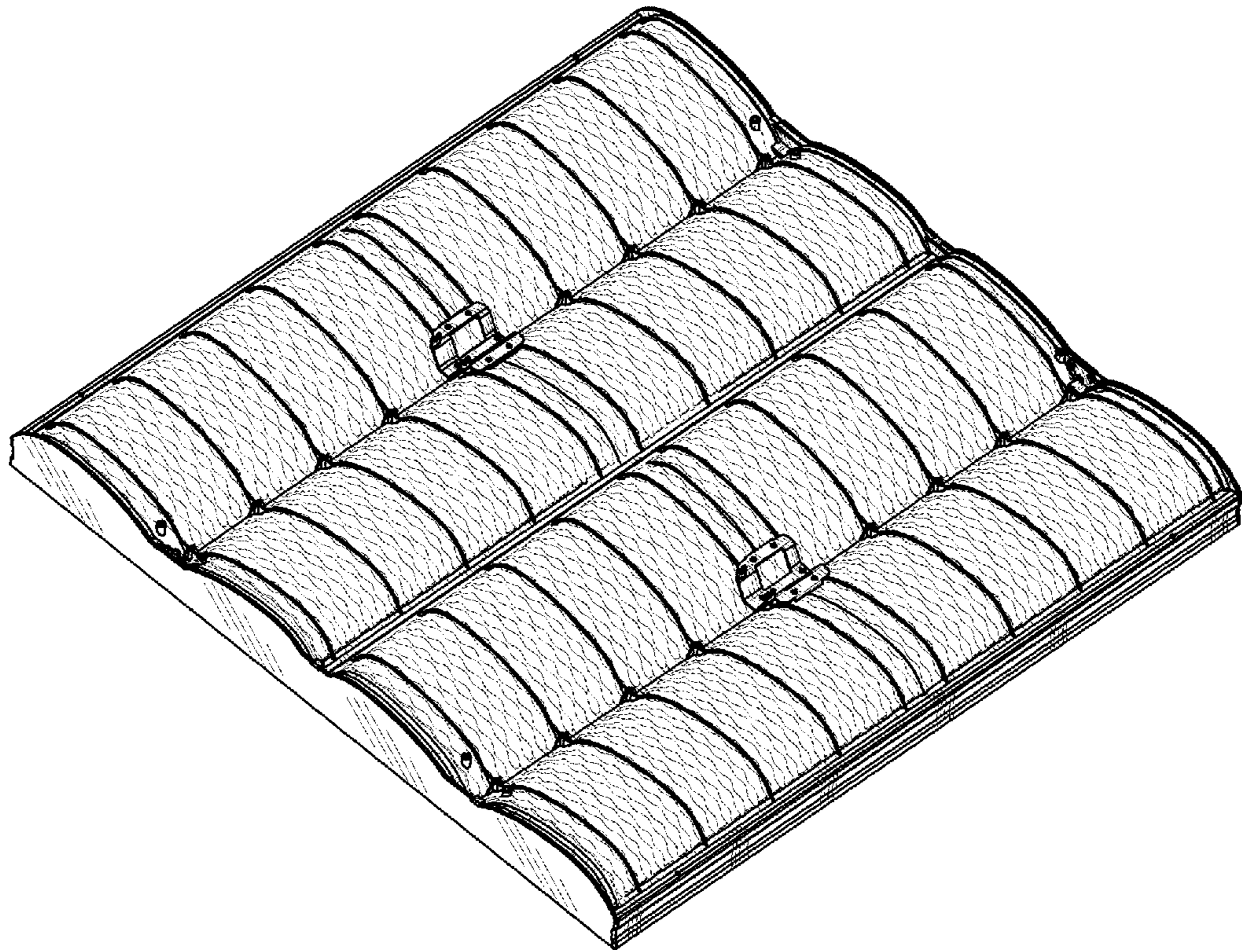


Fig.2

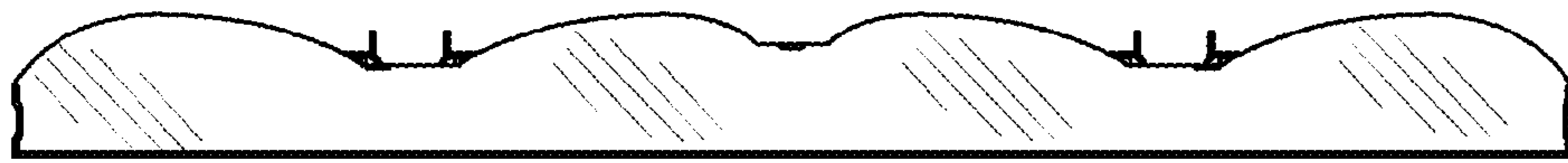


Fig.3

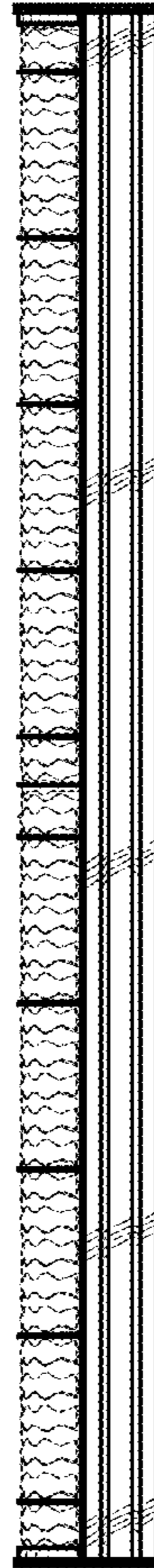


Fig.4

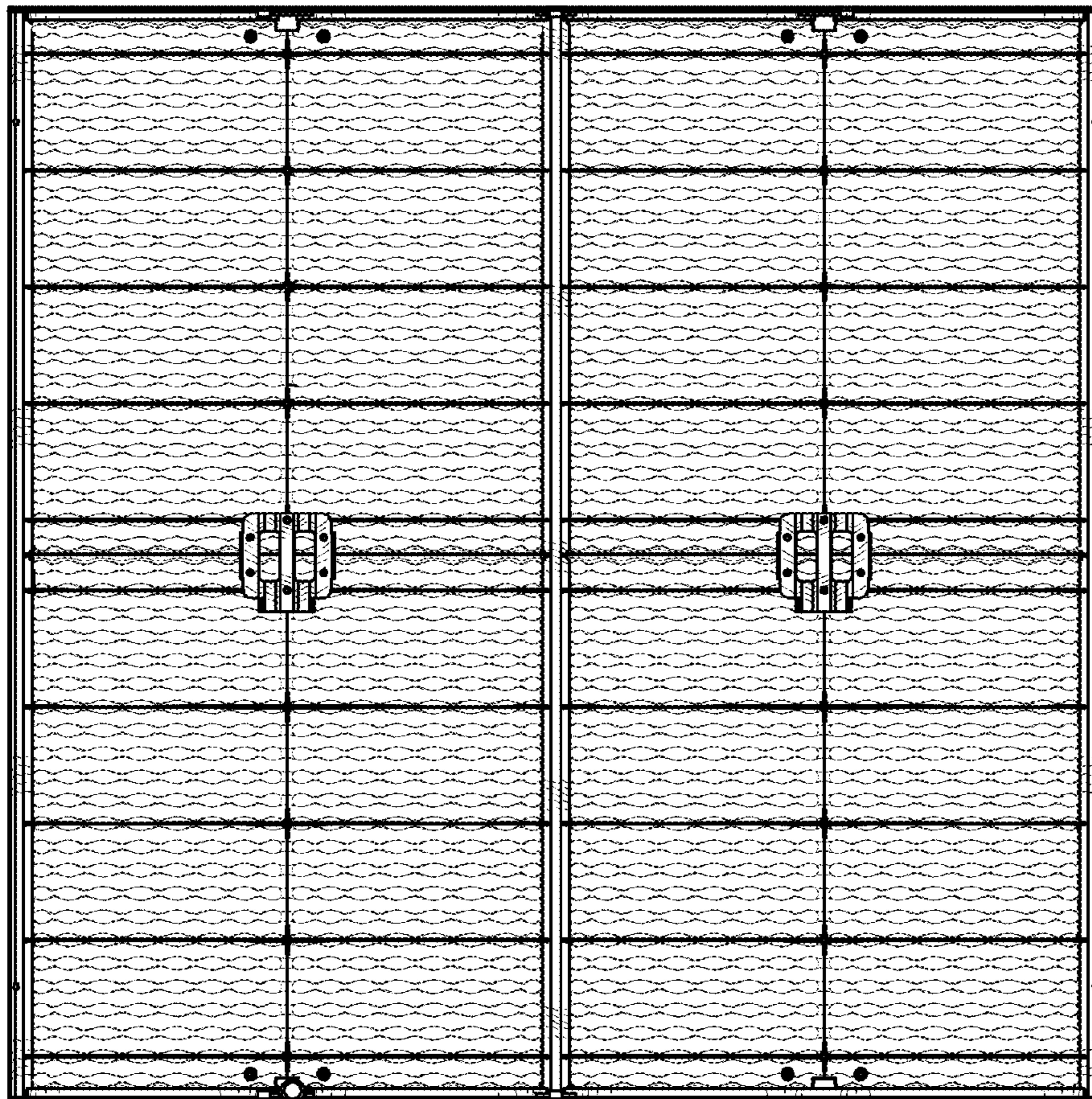


Fig.5

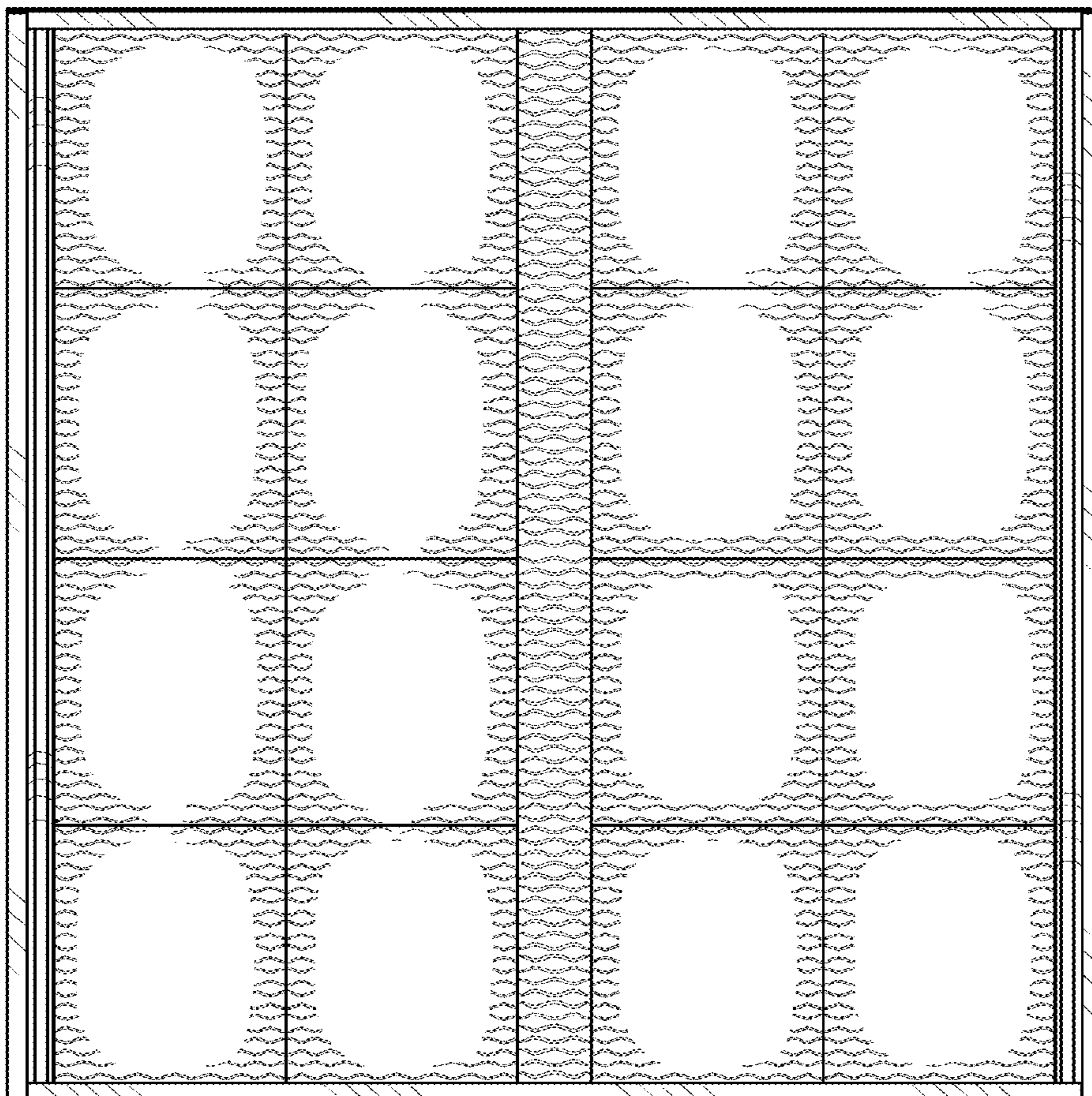


Fig.6

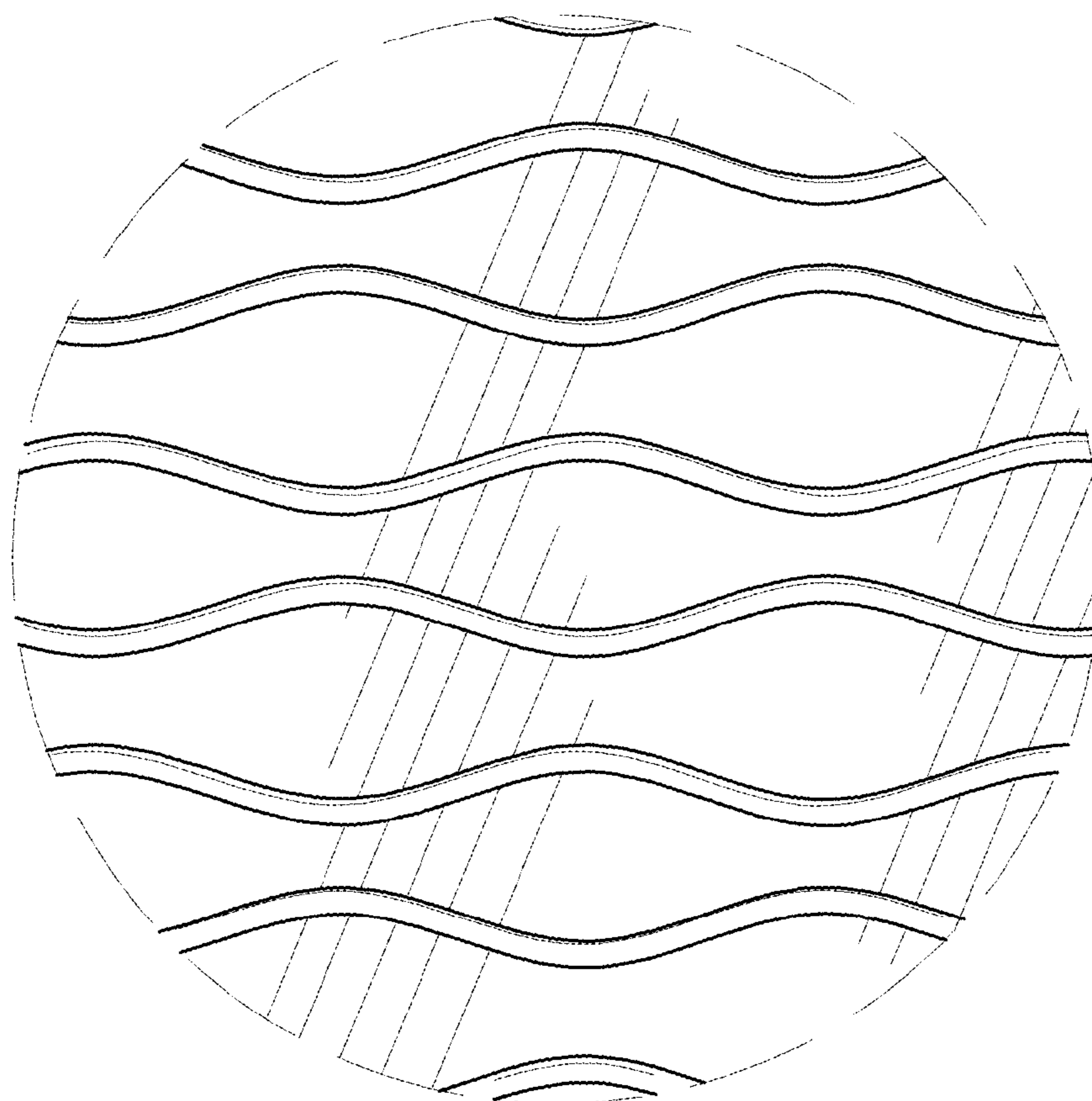


Fig. 7