



US00D716992S

(12) **United States Design Patent**
Kitts

(10) **Patent No.:** **US D716,992 S**

(45) **Date of Patent:** **** Nov. 4, 2014**

(54) **LAMP**

(71) Applicant: **Hubbardton Forge LLC**, Castleton, VT (US)

(72) Inventor: **David Kitts**, Rutland, VT (US)

(73) Assignee: **Hubbardton Forge, LLC**, Castleton, VT (US)

(**) Term: **14 Years**

(21) Appl. No.: **29/477,596**

(22) Filed: **Dec. 24, 2013**

(51) **LOC (10) Cl.** **26-03**

(52) **U.S. Cl.**
USPC **D26/88**

(58) **Field of Classification Search**
USPC D26/72, 80, 81, 82, 83, 84, 88, 90, 91,
D26/118, 135; 362/147, 404-408
See application file for complete search history.

(56) **References Cited**

U.S. PATENT DOCUMENTS

D32,572 S *	4/1900	Martin	D26/72
D35,581 S *	1/1902	Hawks	D26/72
D38,288 S *	10/1906	Humphrey	D26/84
D43,347 S *	12/1912	Rubin	D26/88
D74,790 S *	3/1928	Guth	D26/88
D105,452 S *	7/1937	Poling	D26/88
D343,250 S *	1/1994	Fouke et al.	D26/88
D343,252 S *	1/1994	Belisle	D26/88

D344,606 S *	2/1994	Fouke et al.	D26/88
D350,622 S *	9/1994	Gruber et al.	D26/88
D402,075 S *	12/1998	Hudak et al.	D26/88
D488,880 S *	4/2004	Rahn	D26/72
D659,888 S *	5/2012	Shin et al.	D26/90

OTHER PUBLICATIONS

Wafers and Slats pendant #18-116-302-10-G115 shown on p. 137 of the Hubbardton Forge 2007 Catalog. (2 pages-includes front cover of catalog).*

* cited by examiner

Primary Examiner — Clare E Heflin

(74) *Attorney, Agent, or Firm* — Bourque and Associates, PA

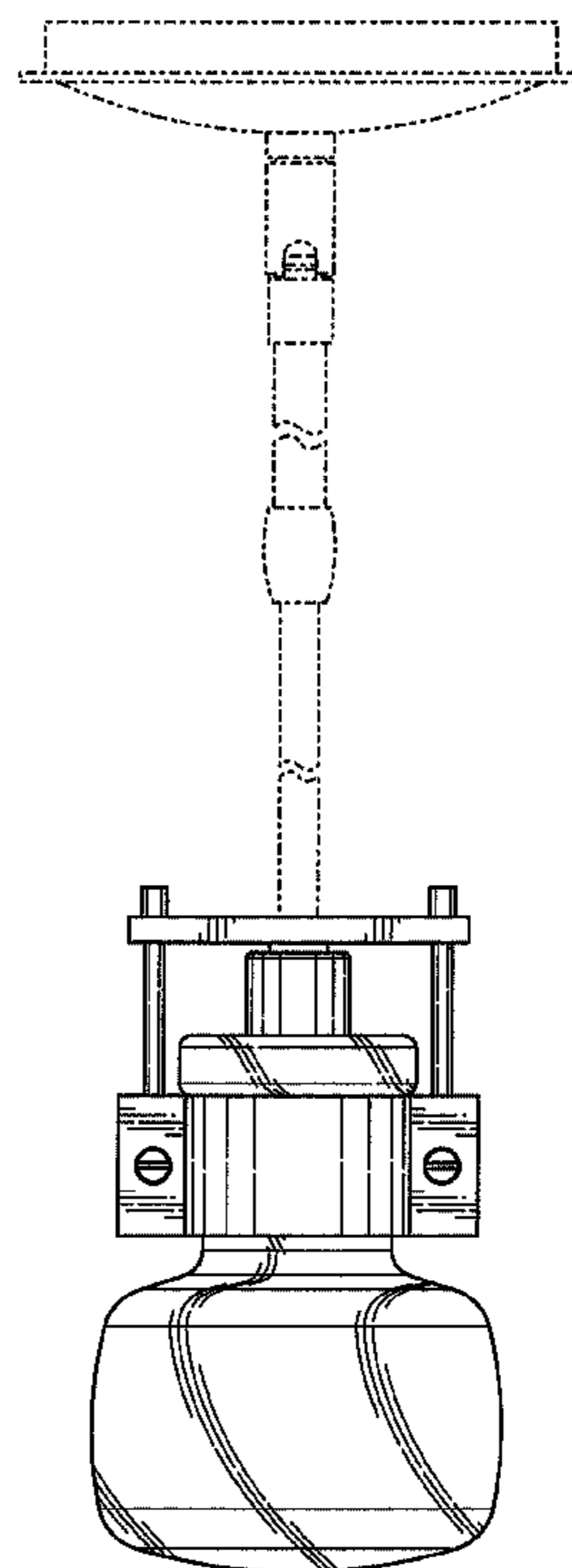
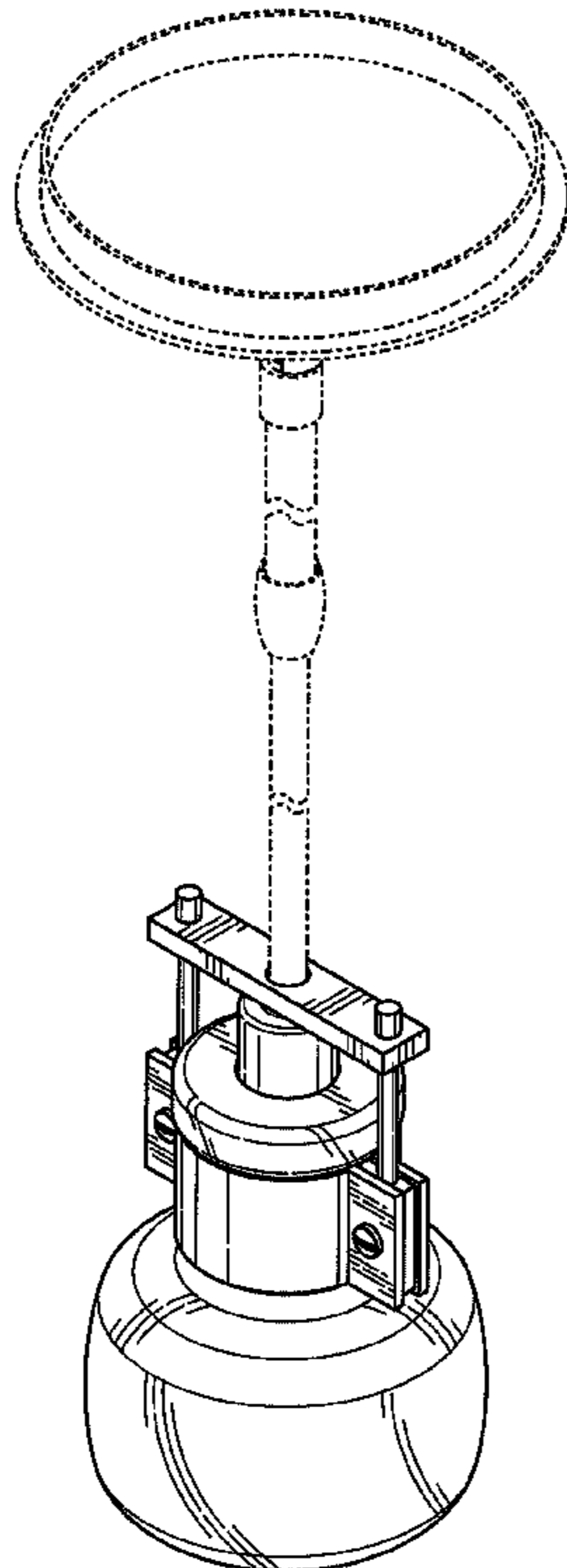
(57) **CLAIM**

The ornamental design for a lamp, as shown and described.

DESCRIPTION

FIG. 1 is a perspective view of the lamp according to the present invention;
FIG. 2 is a front view of the lamp thereof;
FIG. 3 is a back view of the lamp thereof;
FIG. 4 is a right view of the lamp thereof;
FIG. 5 is a left view of the lamp thereof; and,
FIG. 6 is a bottom view of the lamp thereof.
The broken lines shown on the drawings depict portions of the lamp that form no part of the claimed design.

1 Claim, 6 Drawing Sheets



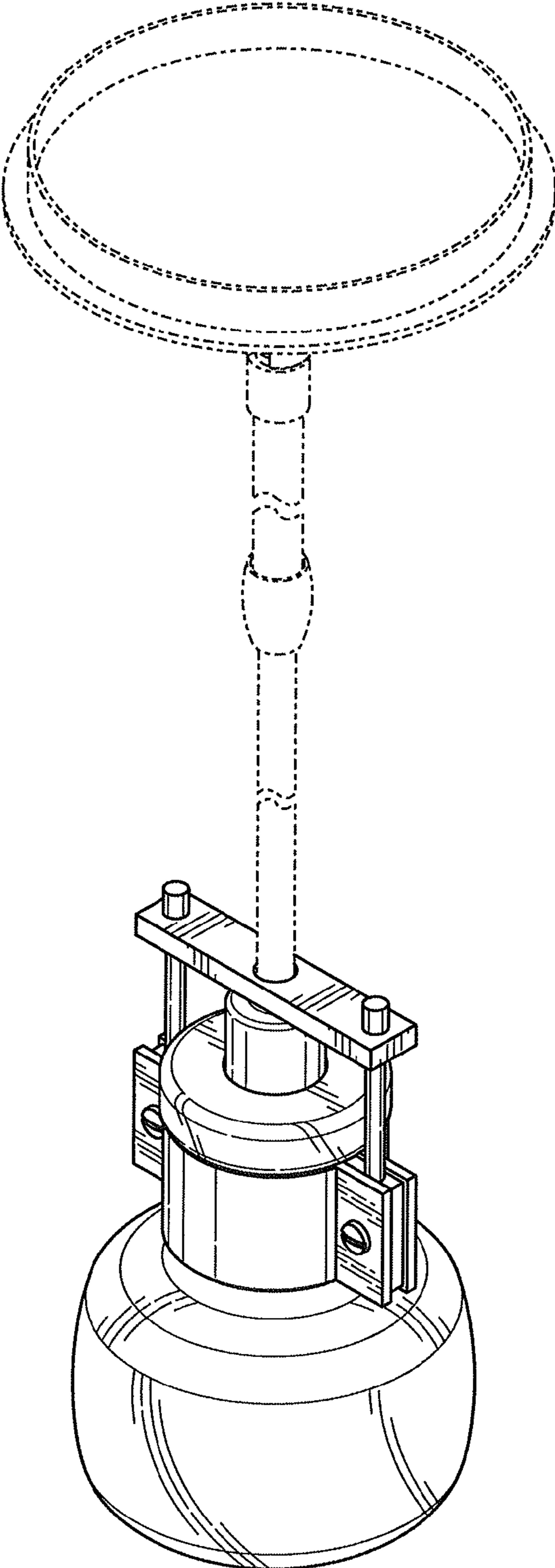


FIG. 1

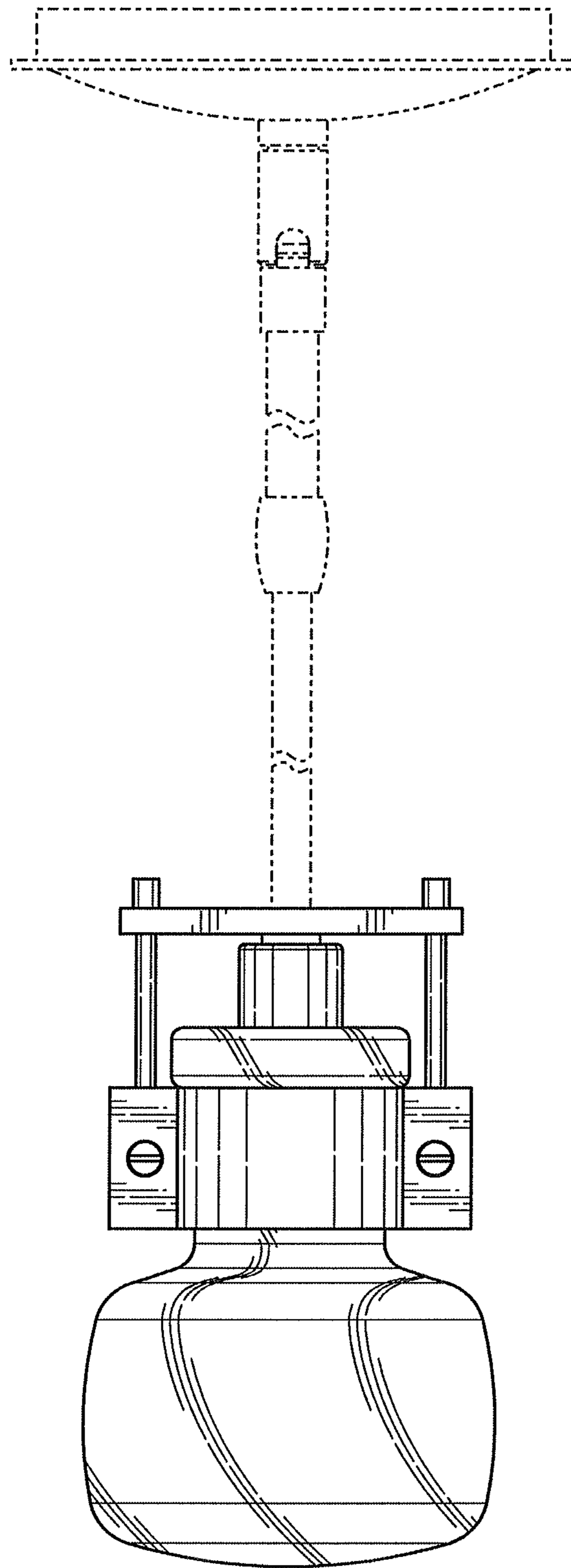


FIG. 2

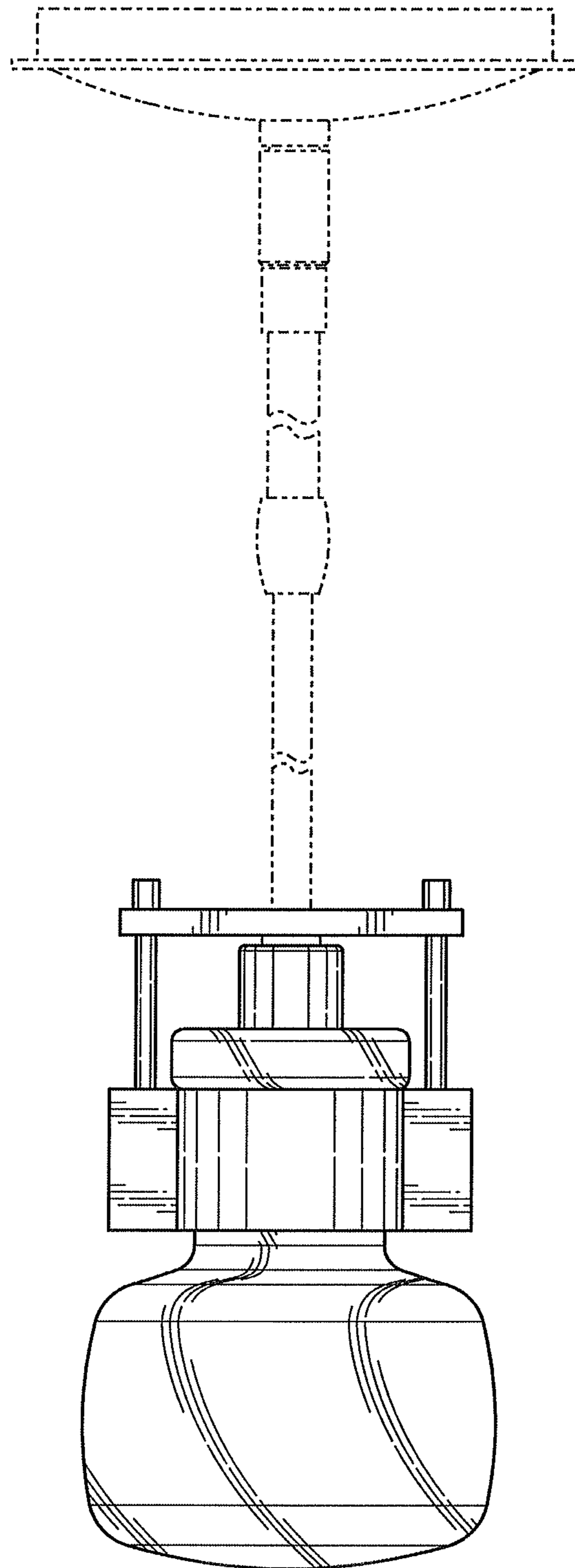


FIG. 3

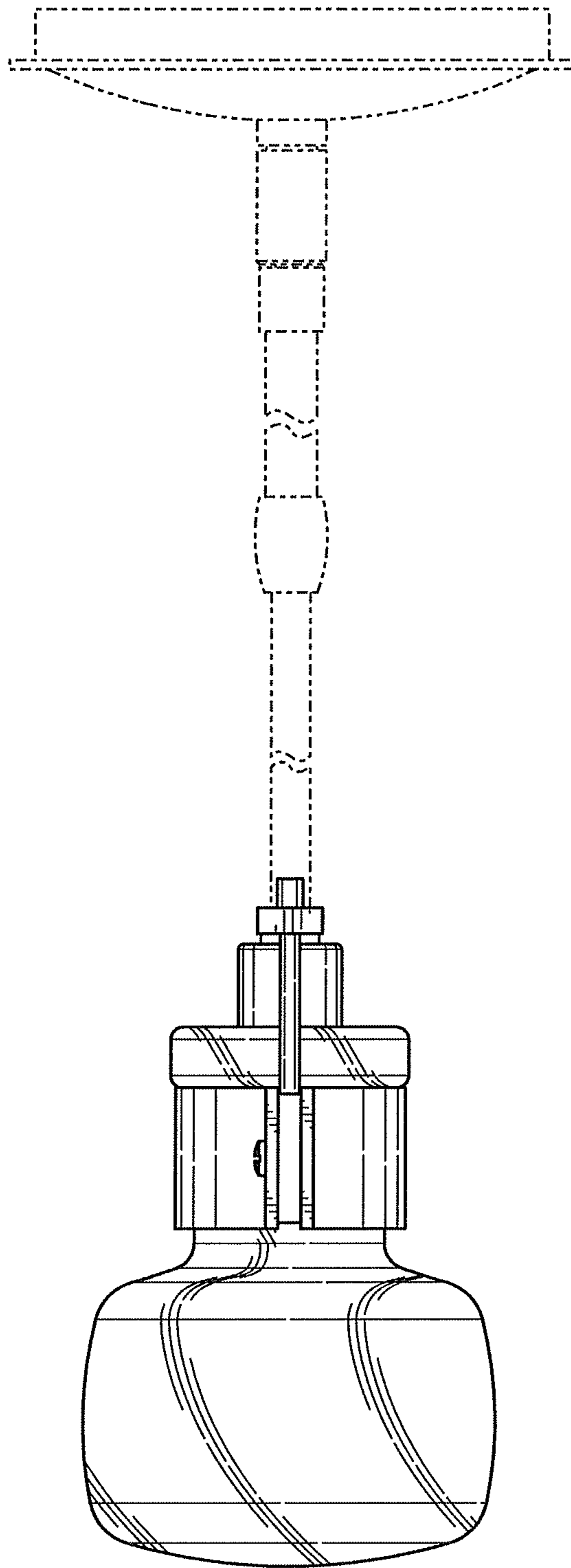


FIG. 4

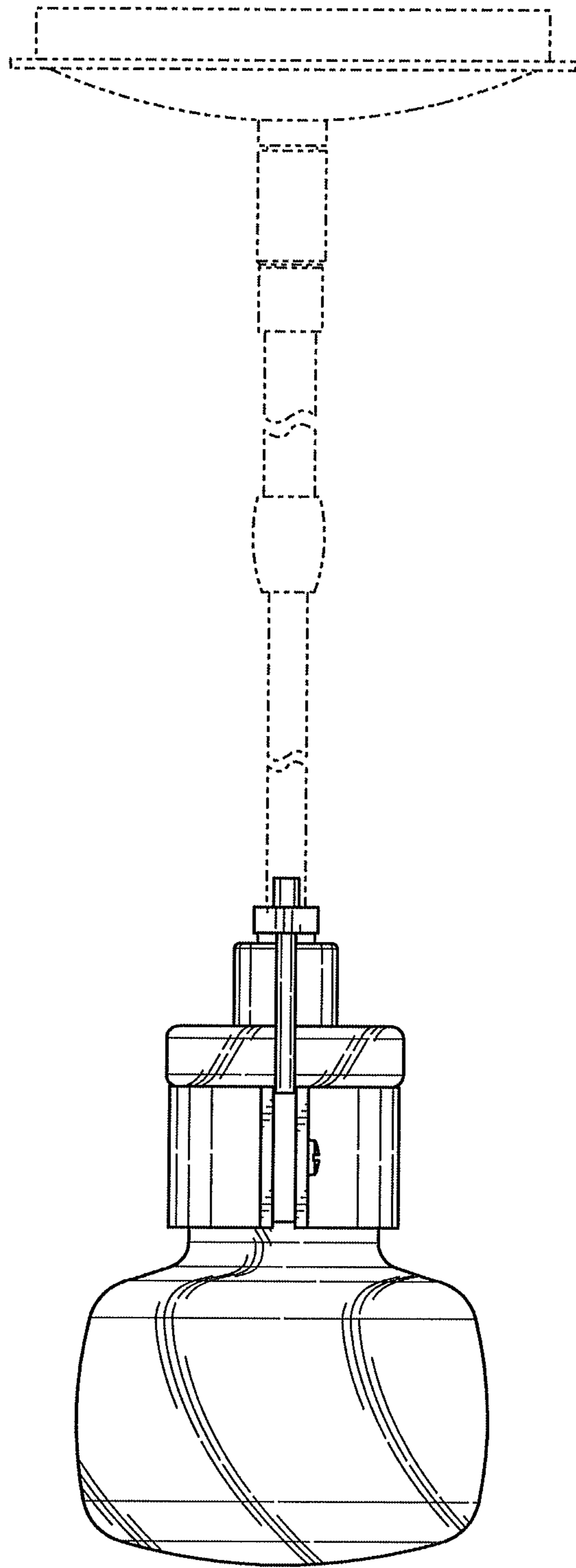


FIG. 5

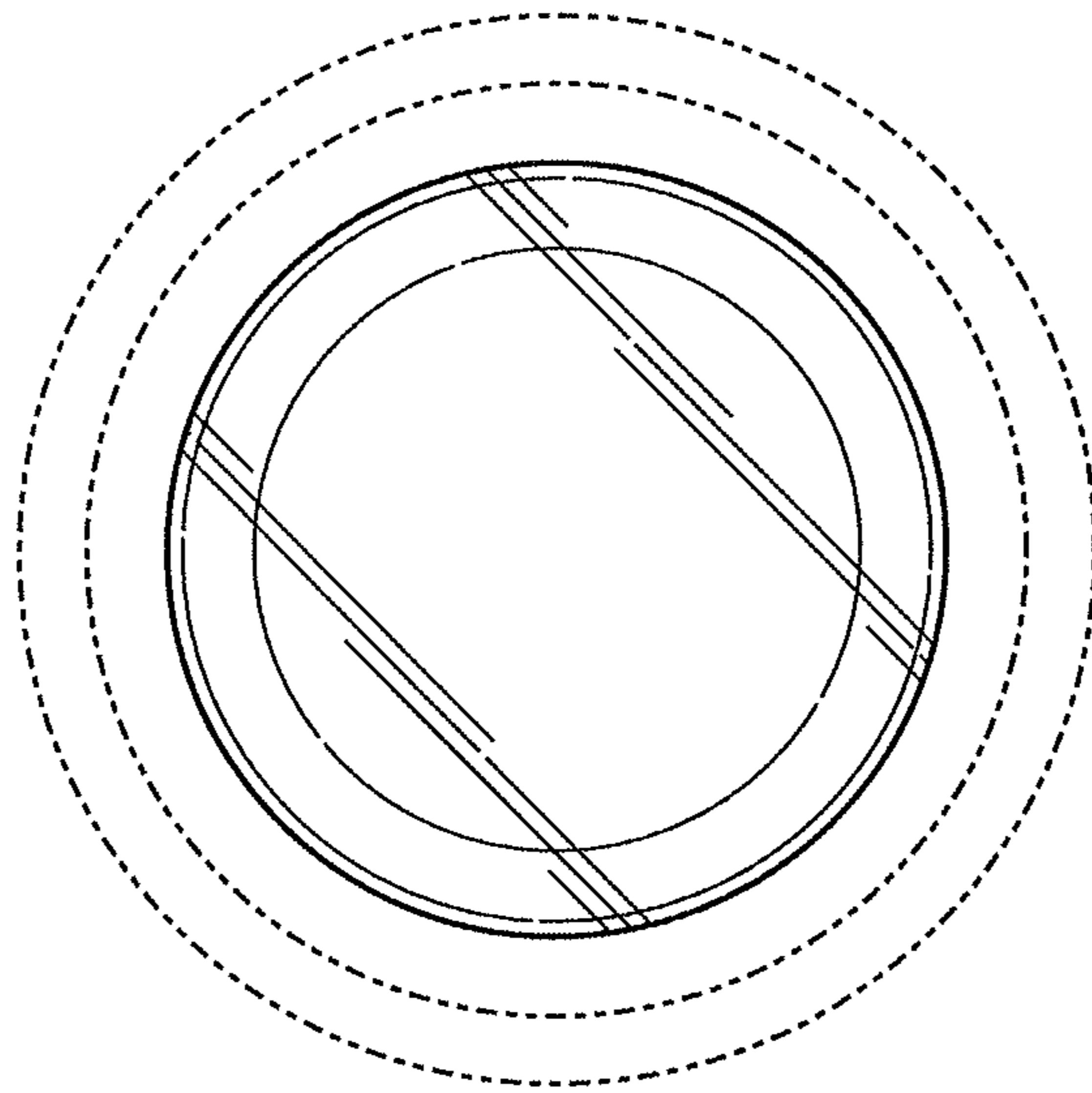


FIG. 6