



US00D716991S

(12) **United States Design Patent**  
**Kitts**

(10) **Patent No.:** **US D716,991 S**

(45) **Date of Patent:** **\*\* Nov. 4, 2014**

(54) **LAMP**

(71) Applicant: **Hubbardton Forge LLC**, Castleton, VT (US)

(72) Inventor: **David Kitts**, Rutland, VT (US)

(73) Assignee: **Hubbardton Forge, LLC**, Castleton, VT (US)

(\*\*) Term: **14 Years**

(21) Appl. No.: **29/475,684**

(22) Filed: **Dec. 5, 2013**

(51) **LOC (10) Cl.** ..... **26-03**

(52) **U.S. Cl.**  
USPC ..... **D26/88**

(58) **Field of Classification Search**  
USPC ..... D26/72, 80, 81, 82, 83, 84, 88, 90, 91,  
D26/118, 128, 138, 140, 155; 362/147,  
362/404-408

See application file for complete search history.

(56) **References Cited**

**U.S. PATENT DOCUMENTS**

D30,725 S \* 5/1899 Homan ..... D26/88  
D38,663 S \* 7/1907 Pitner ..... D26/88  
D40,219 S \* 8/1909 Pitner ..... D26/72

D40,220 S \* 8/1909 Pitner ..... D26/72  
D40,221 S \* 8/1909 Pitner ..... D26/88  
3,891,173 A \* 6/1975 Ellis et al. .... 248/231.71  
D308,263 S \* 5/1990 Cook ..... D26/140  
D315,220 S \* 3/1991 Ramelia ..... D26/88  
D342,338 S \* 12/1993 Thun ..... D26/88  
D353,912 S \* 12/1994 Shiao ..... D26/140  
D659,888 S \* 5/2012 Shin et al. .... D26/90  
D692,611 S \* 10/2013 Silver ..... D26/138  
D697,661 S \* 1/2014 Sabernig ..... D26/87

\* cited by examiner

*Primary Examiner* — Claire E Heflin

(74) *Attorney, Agent, or Firm* — Bourque and Associates, PA

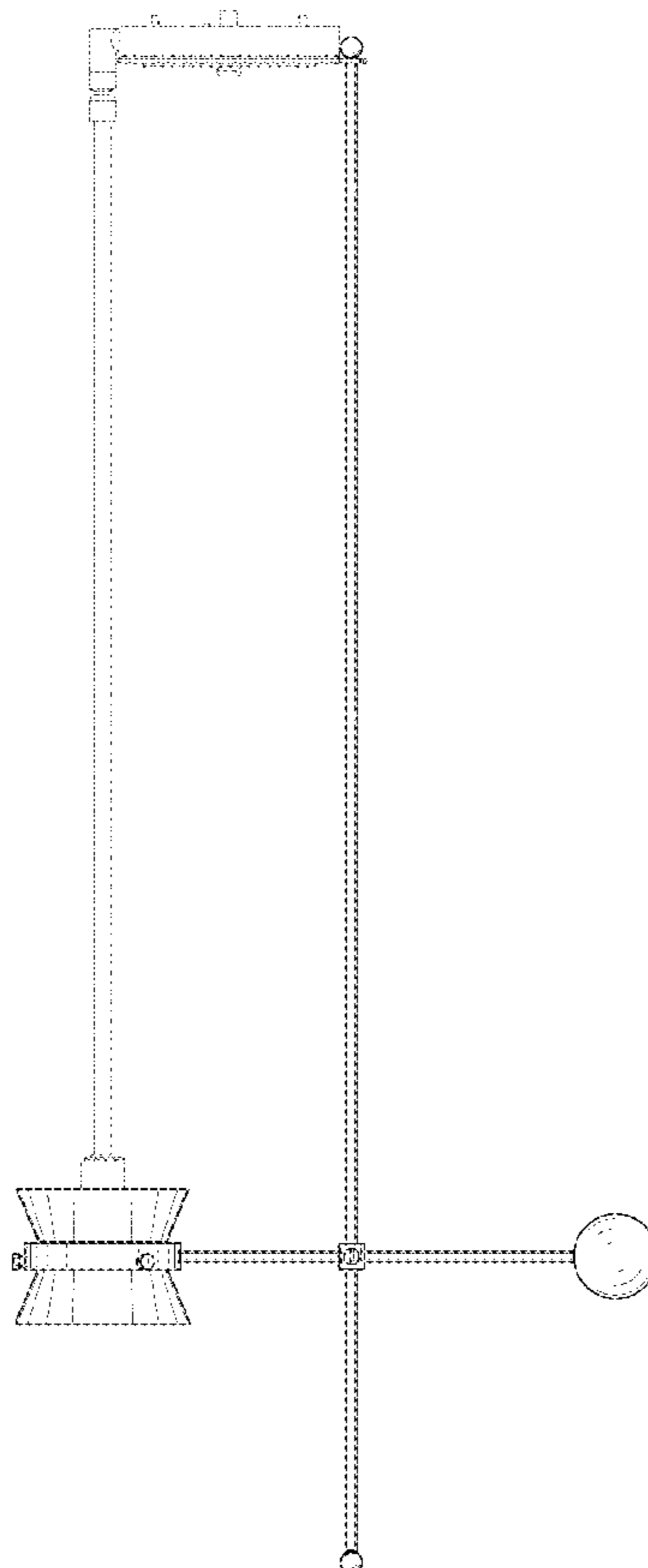
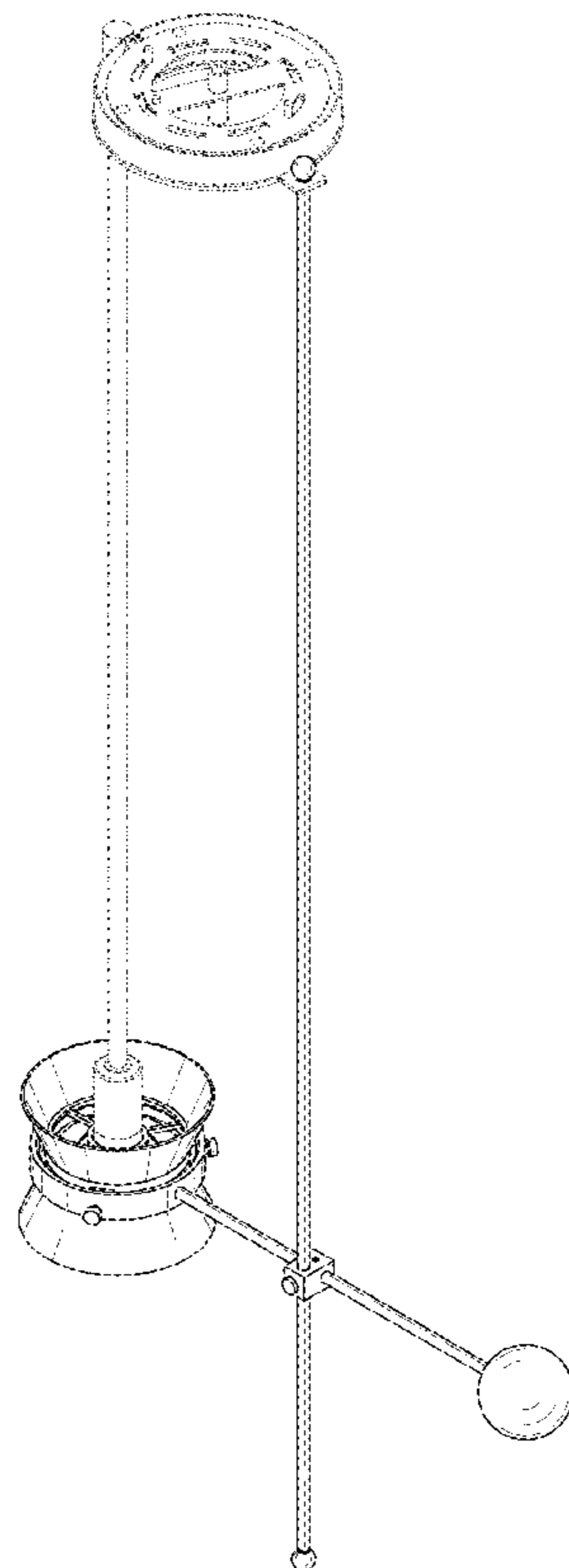
(57) **CLAIM**

The ornamental design for a lamp, as shown and described.

**DESCRIPTION**

FIG. 1 is a perspective view of the lamp according to the present invention;  
FIG. 2 is a front view of the lamp thereof;  
FIG. 3 is a back view of the lamp thereof;  
FIG. 4 is a right view of the lamp thereof;  
FIG. 5 is a left view of the lamp thereof;  
FIG. 6 is a top view of the lamp thereof; and,  
FIG. 7 is a bottom view of the lamp thereof.  
The broken lines shown on the drawings depict portions of the lamp that form no part of the claimed design.

**1 Claim, 6 Drawing Sheets**



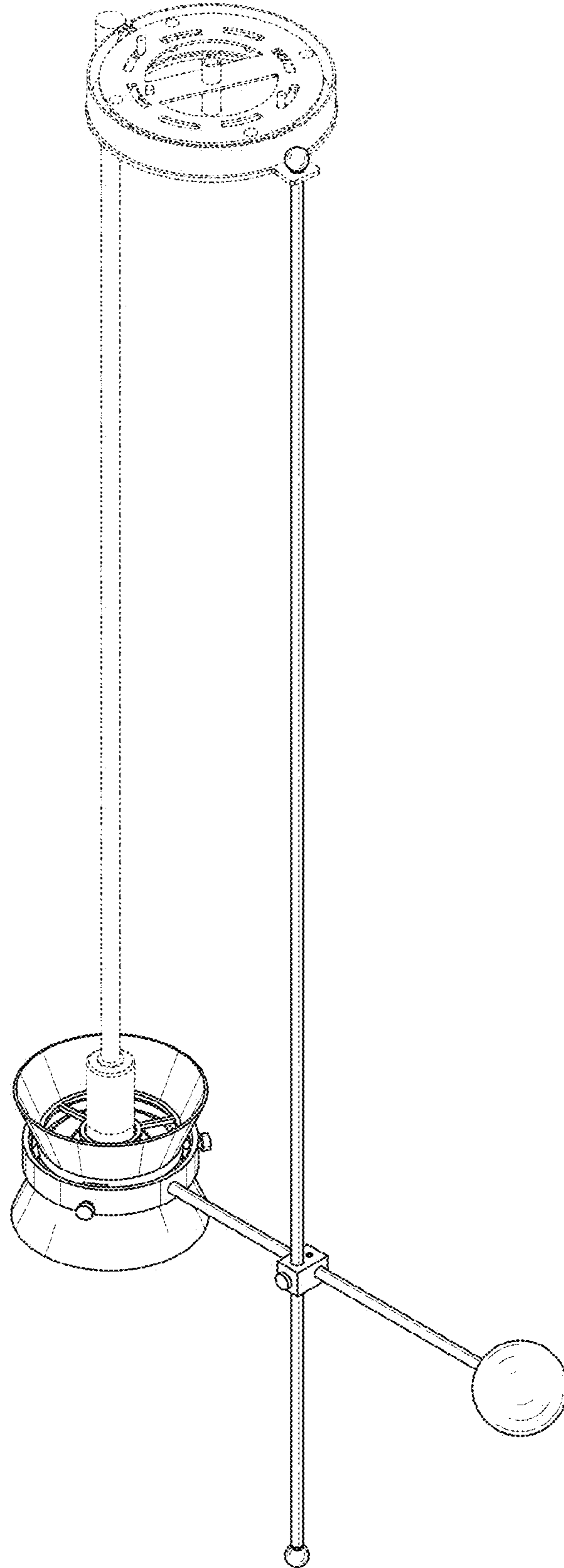


FIG. 1

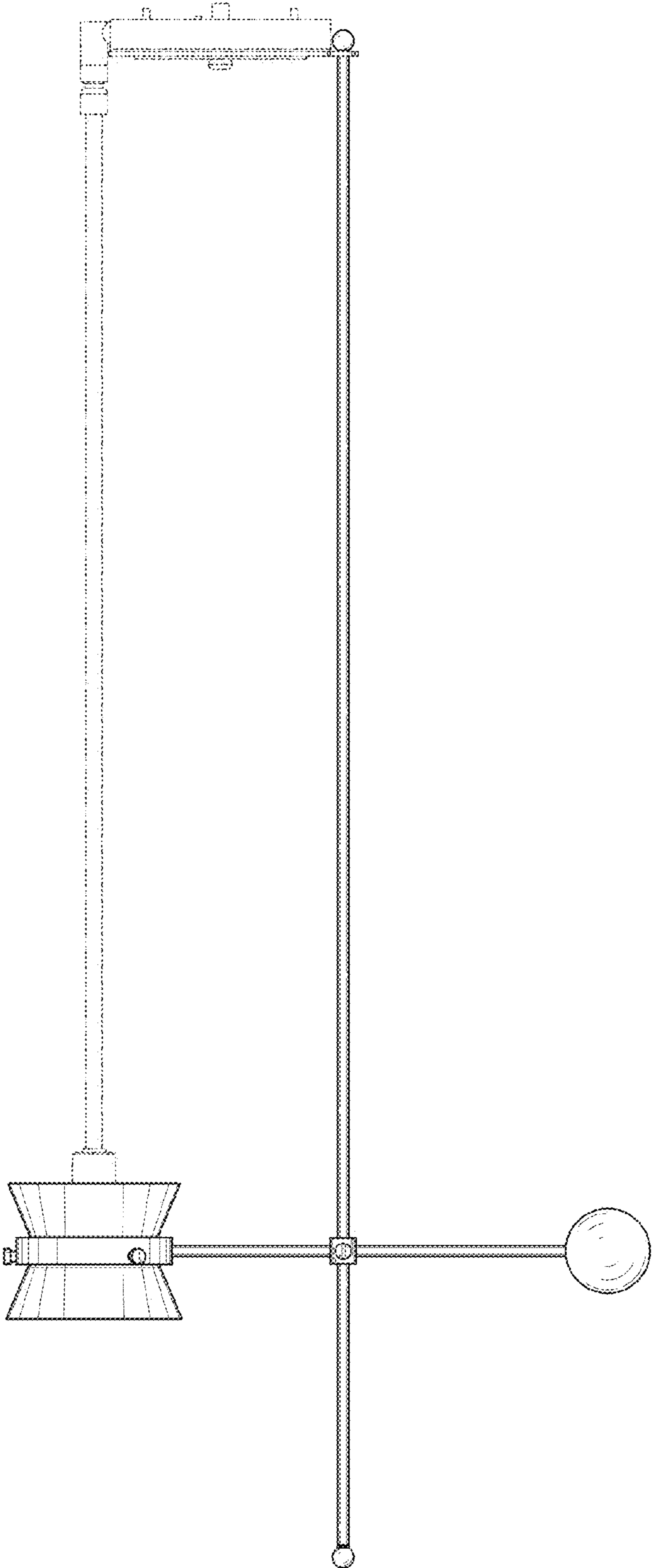


FIG. 2

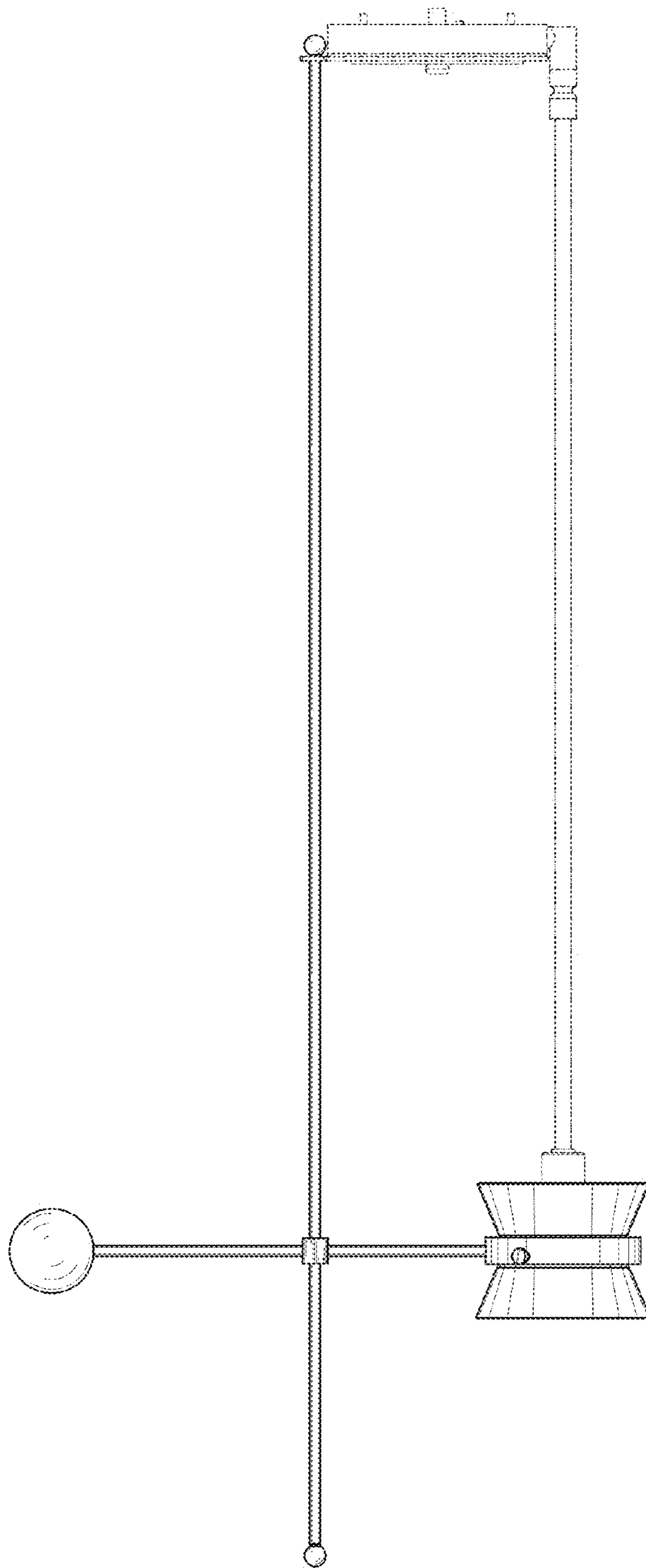


FIG. 3

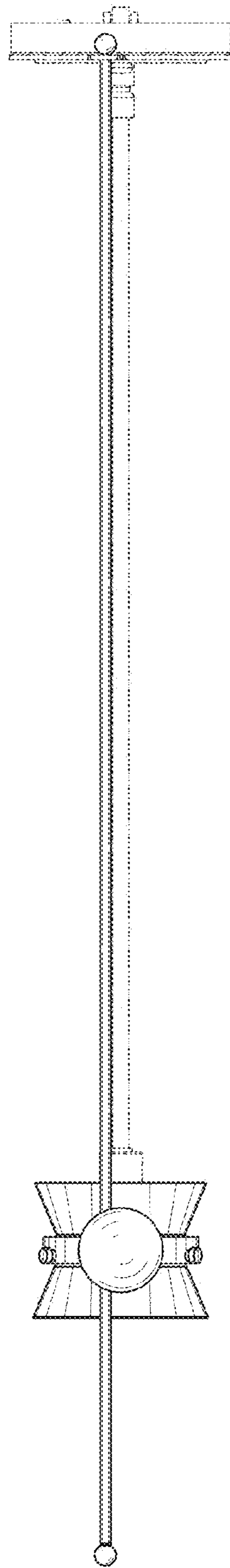


FIG. 4

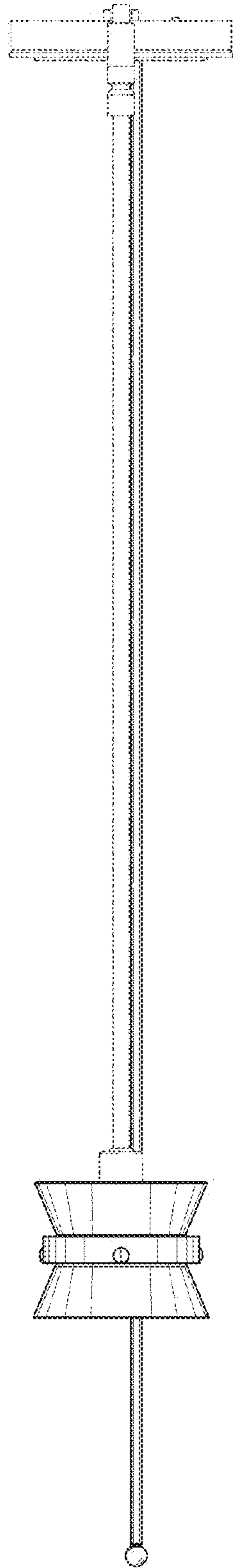


FIG. 5

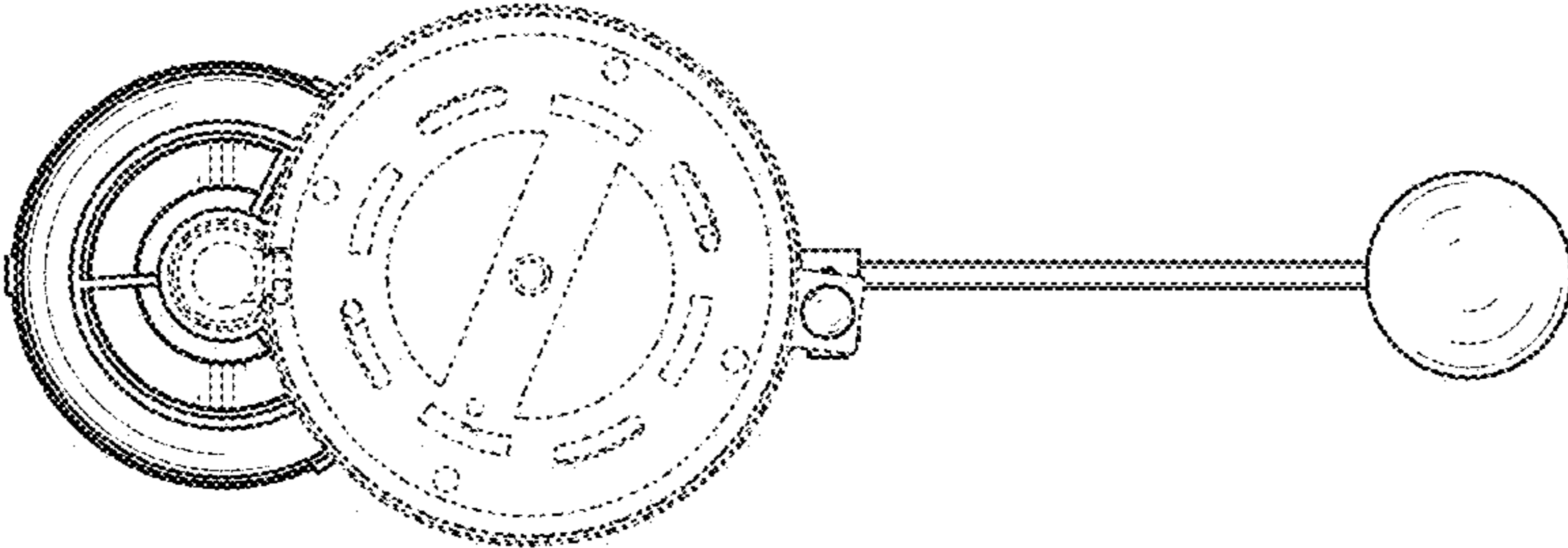


FIG. 6

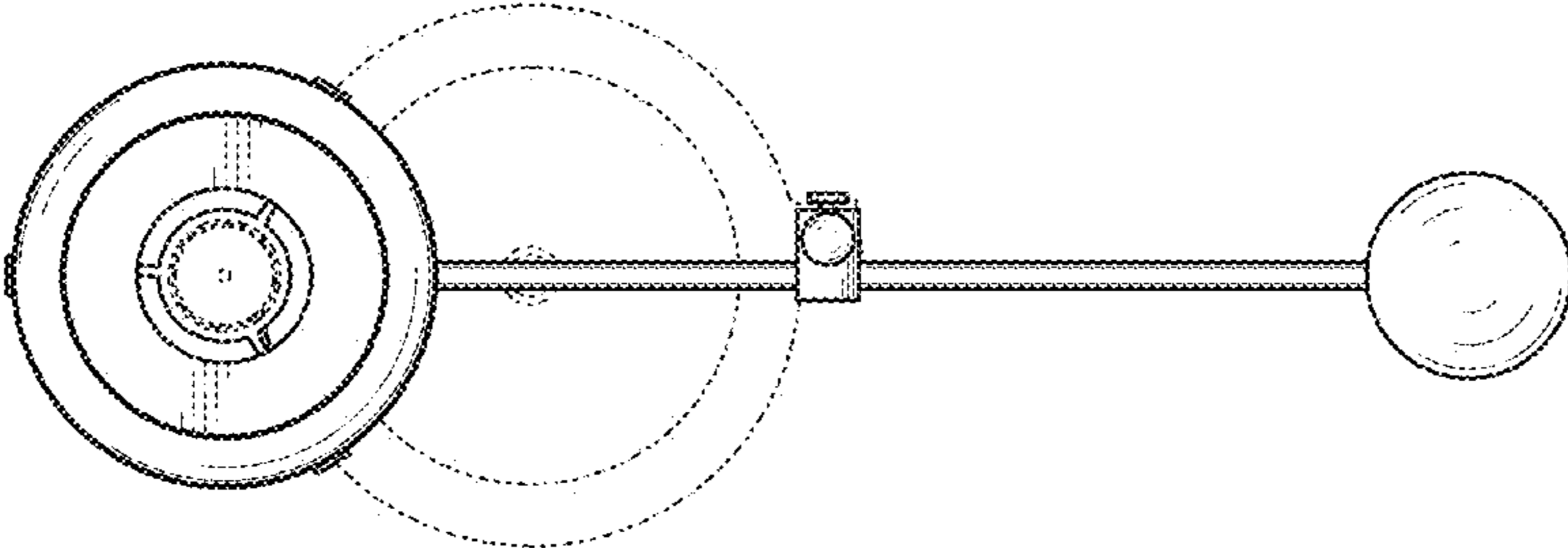


FIG. 7