



US00D716990S

(12) **United States Design Patent**
Yu

(10) **Patent No.:** **US D716,990 S**
(45) **Date of Patent:** **** Nov. 4, 2014**

(54) **WALL MOUNT LED ENTRY LIGHT**

(71) Applicant: **Chung Han Yu**, City of Industry, CA
(US)

(72) Inventor: **Chung Han Yu**, City of Industry, CA
(US)

(**) Term: **14 Years**

(21) Appl. No.: **29/463,969**

(22) Filed: **Apr. 17, 2014**

(51) **LOC (10) Cl.** **26-05**

(52) **U.S. Cl.**
USPC **D26/72; D26/85**

(58) **Field of Classification Search**
USPC D26/72, 85-87, 92, 118, 120; 362/147,
362/432, 641, 644, 653
See application file for complete search history.

(56) **References Cited**

U.S. PATENT DOCUMENTS

D202,803	S	*	11/1965	Wince	D26/85
D283,555	S	*	4/1986	Levi	D26/85
5,655,833	A	*	8/1997	Raczynski	362/419
D440,683	S	*	4/2001	Guercio	D26/85
D465,050	S	*	10/2002	Crelin	D26/85
6,467,928	B2	*	10/2002	Crelin	362/147
D468,046	S	*	12/2002	Bernard et al.	D26/85
D561,376	S	*	2/2008	Guercio	D26/85

D561,377	S	*	2/2008	Guercio	D26/85
D565,229	S	*	3/2008	Haugaard et al.	D26/72
7,401,939	B2	*	7/2008	Haugaard et al.	362/147
D583,977	S	*	12/2008	Guercio	D26/85
D584,445	S	*	1/2009	Guercio	D26/85
7,547,117	B1	*	6/2009	Russello et al.	362/285
D612,975	S	*	3/2010	Guercio et al.	D26/85
D664,703	S	*	7/2012	Yu	D26/85
D667,586	S	*	9/2012	Wilcox et al.	D26/85
D672,903	S	*	12/2012	Toney et al.	D26/92
D681,864	S	*	5/2013	Guercio et al.	D26/85

* cited by examiner

Primary Examiner — Clare E Heflin

(57) **CLAIM**

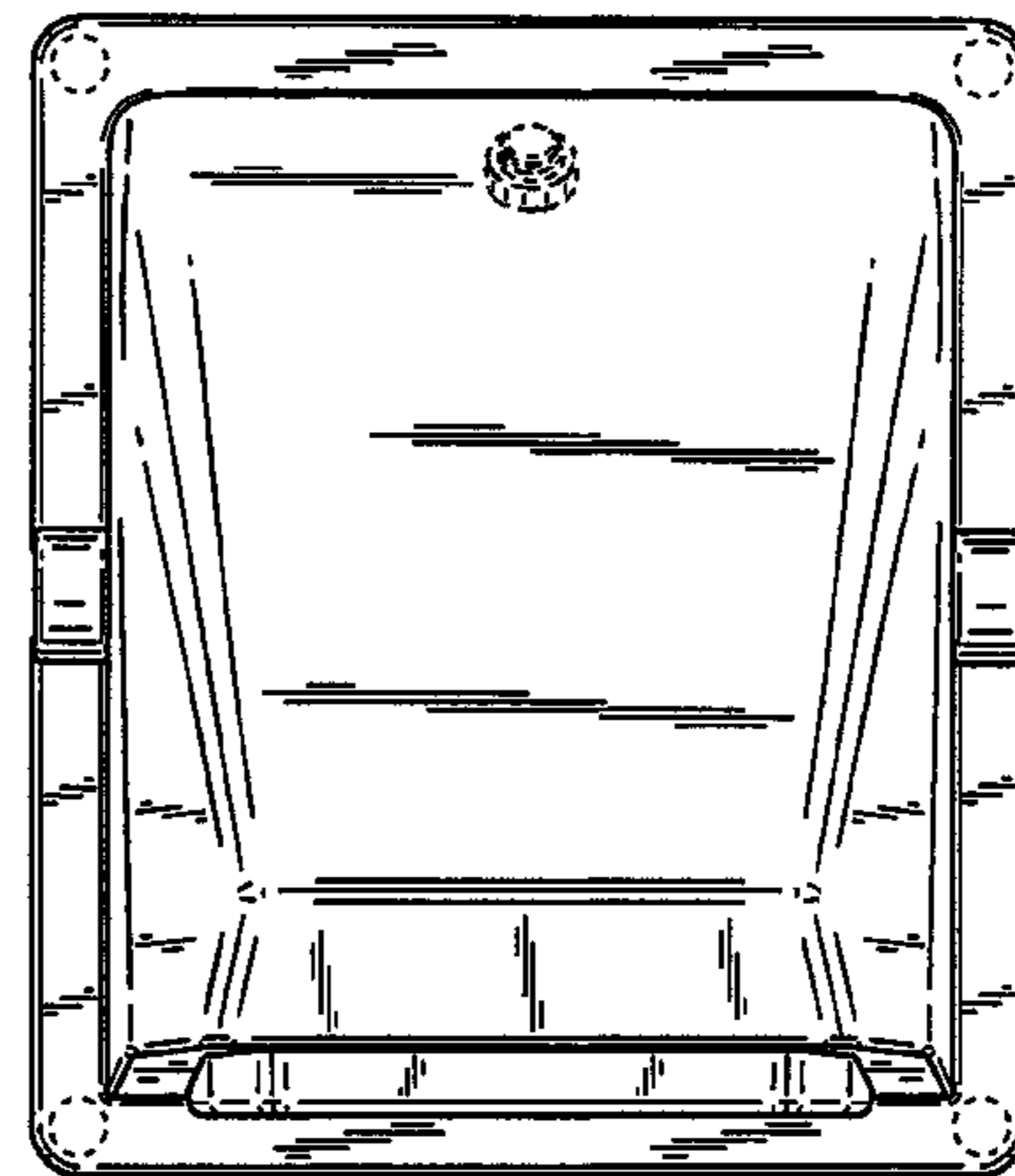
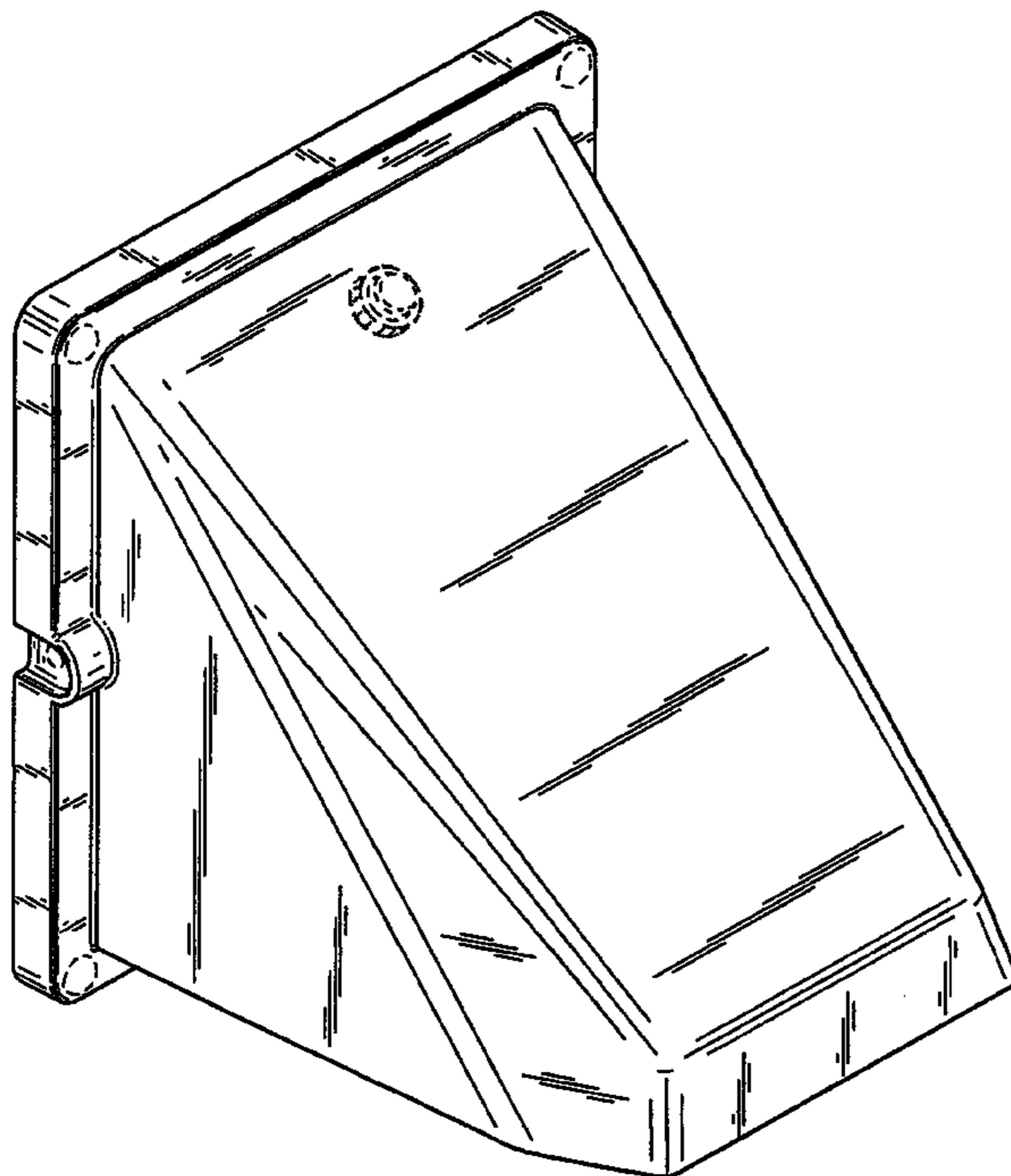
The ornamental design for a wall-mount LED entry light, as shown and described.

DESCRIPTION

FIG. 1 is a perspective view of the wall-mount LED entry light showing the new design;
FIG. 2 is a bottom plan view thereof;
FIG. 3 is a top plan view thereof;
FIG. 4 is a side elevation view thereof;
FIG. 5 is an opposite side elevation view thereof;
FIG. 6 is a front elevation view thereof; and,
FIG. 7 is a rear elevation view thereof.

The broken lines shown on the drawings depict portions of wall-mount LED entry light that form no part of the claimed design.

1 Claim, 4 Drawing Sheets



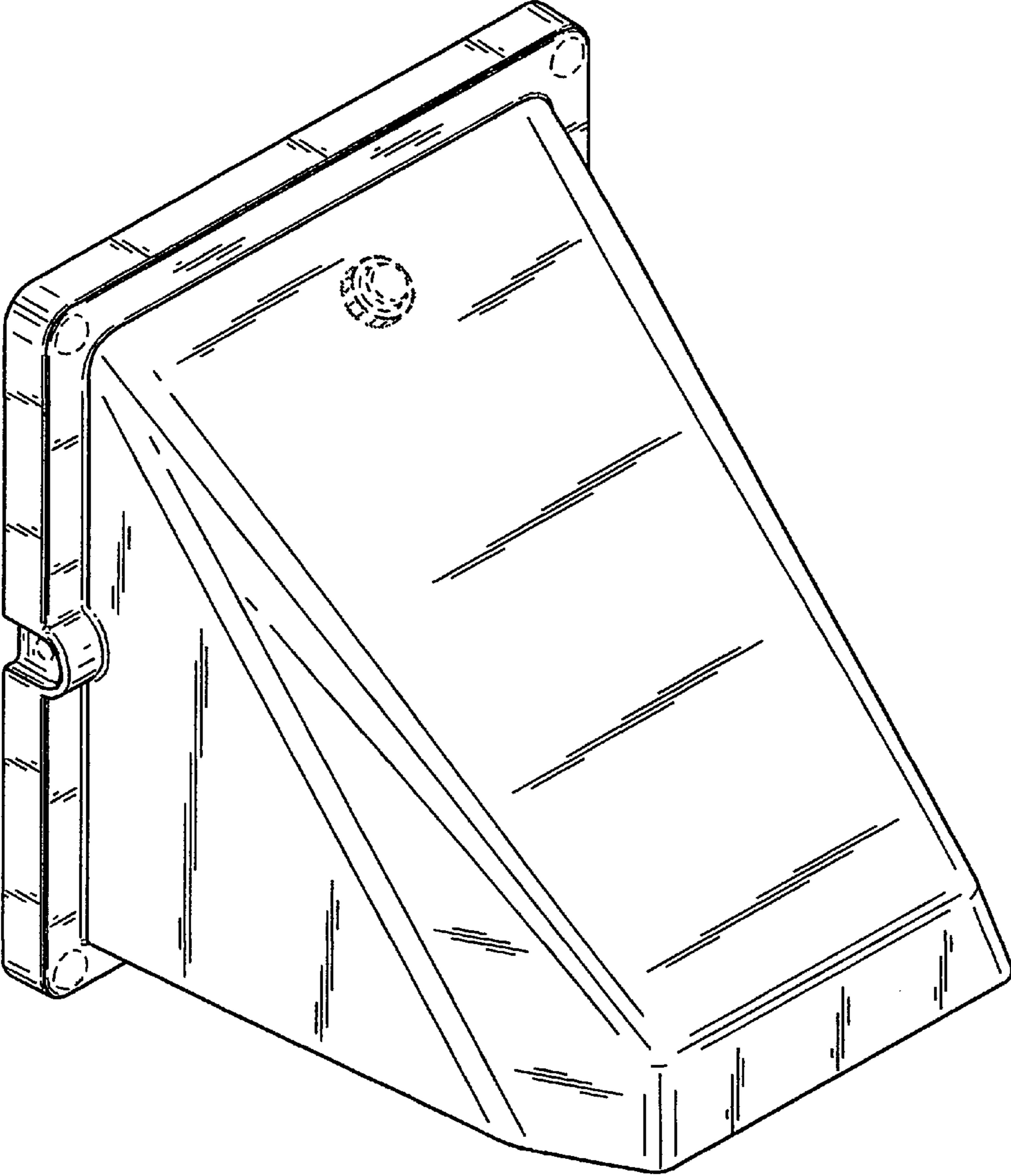


FIG. 1

FIG. 2

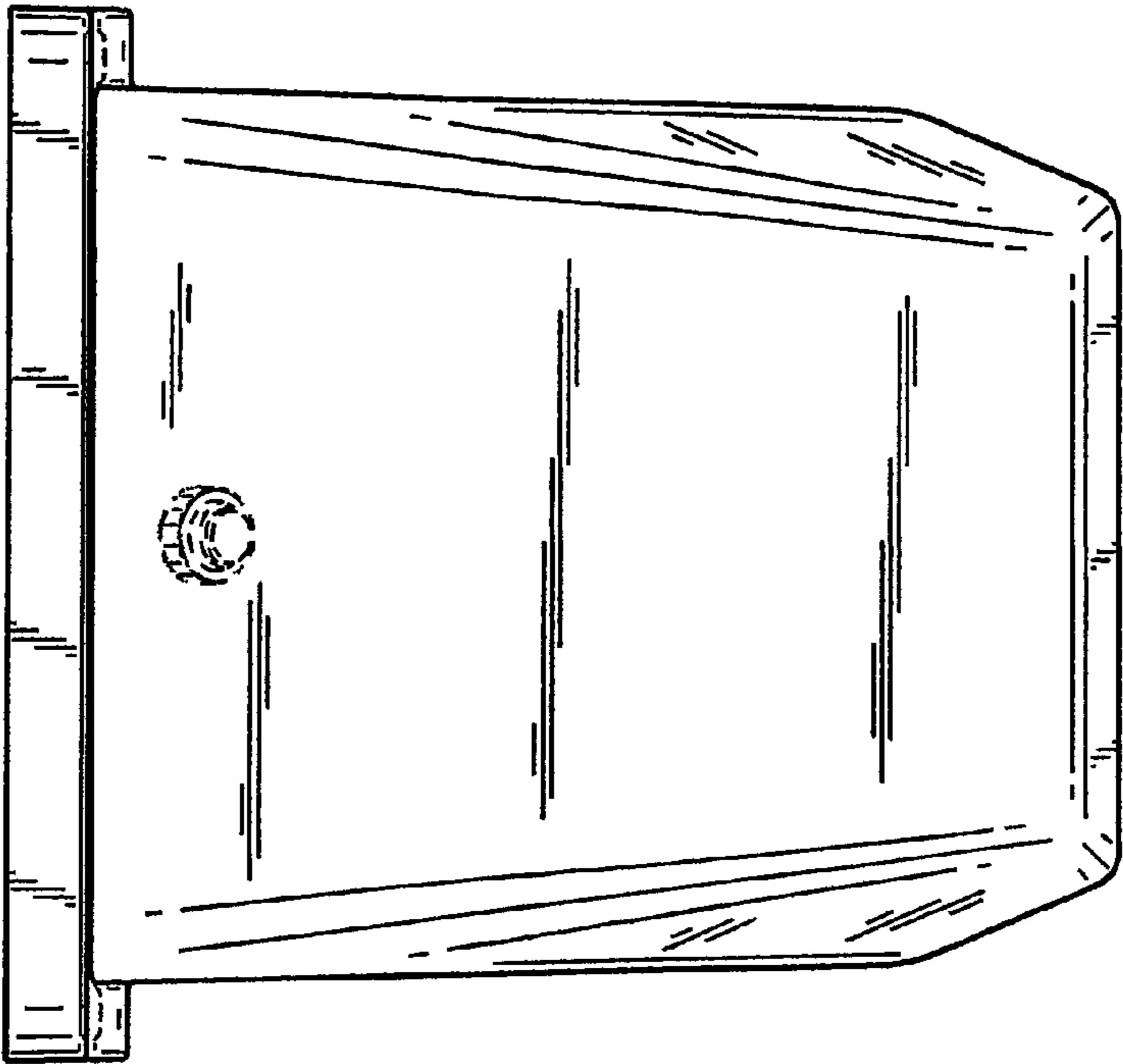


FIG. 3

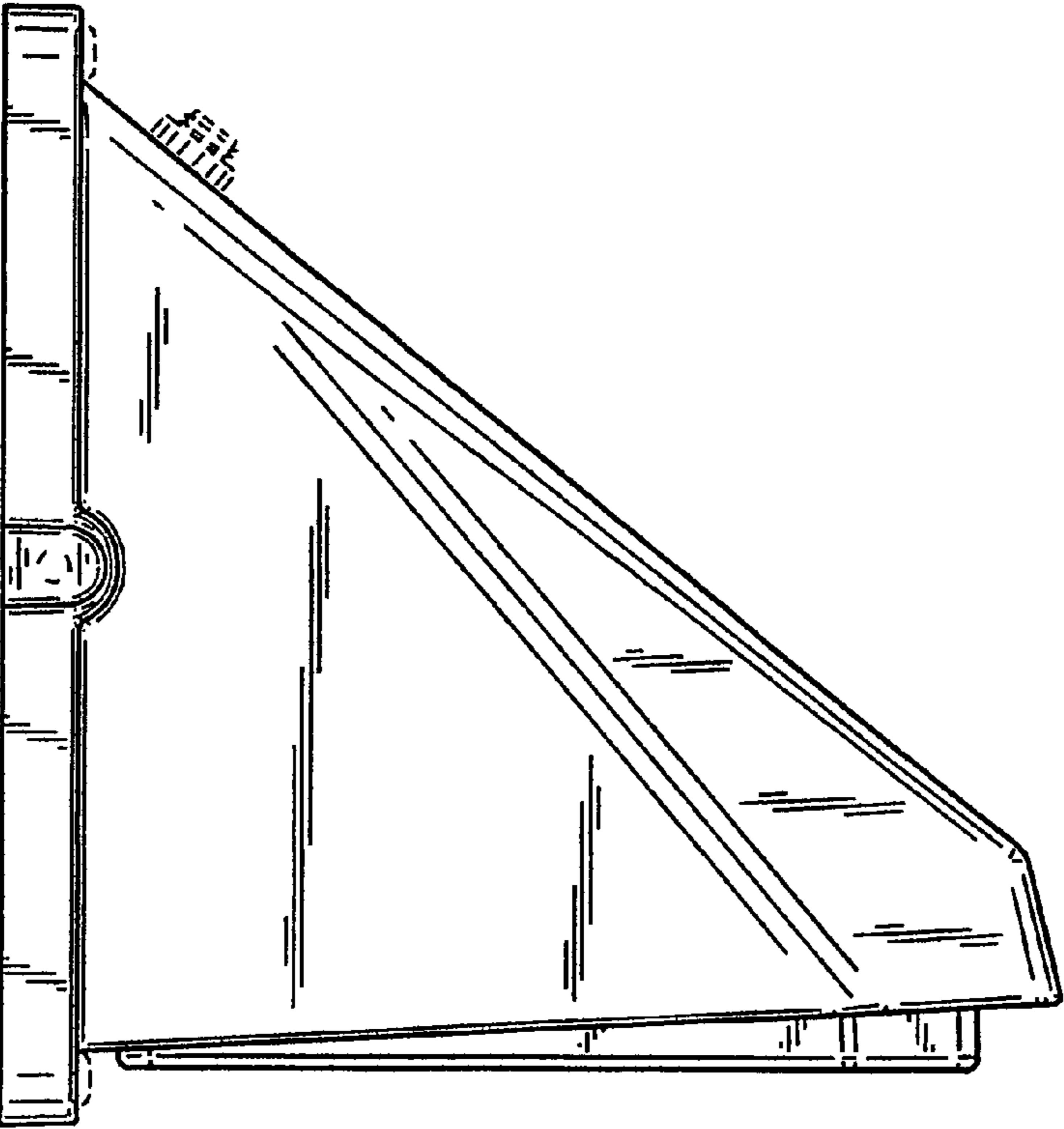


FIG. 4

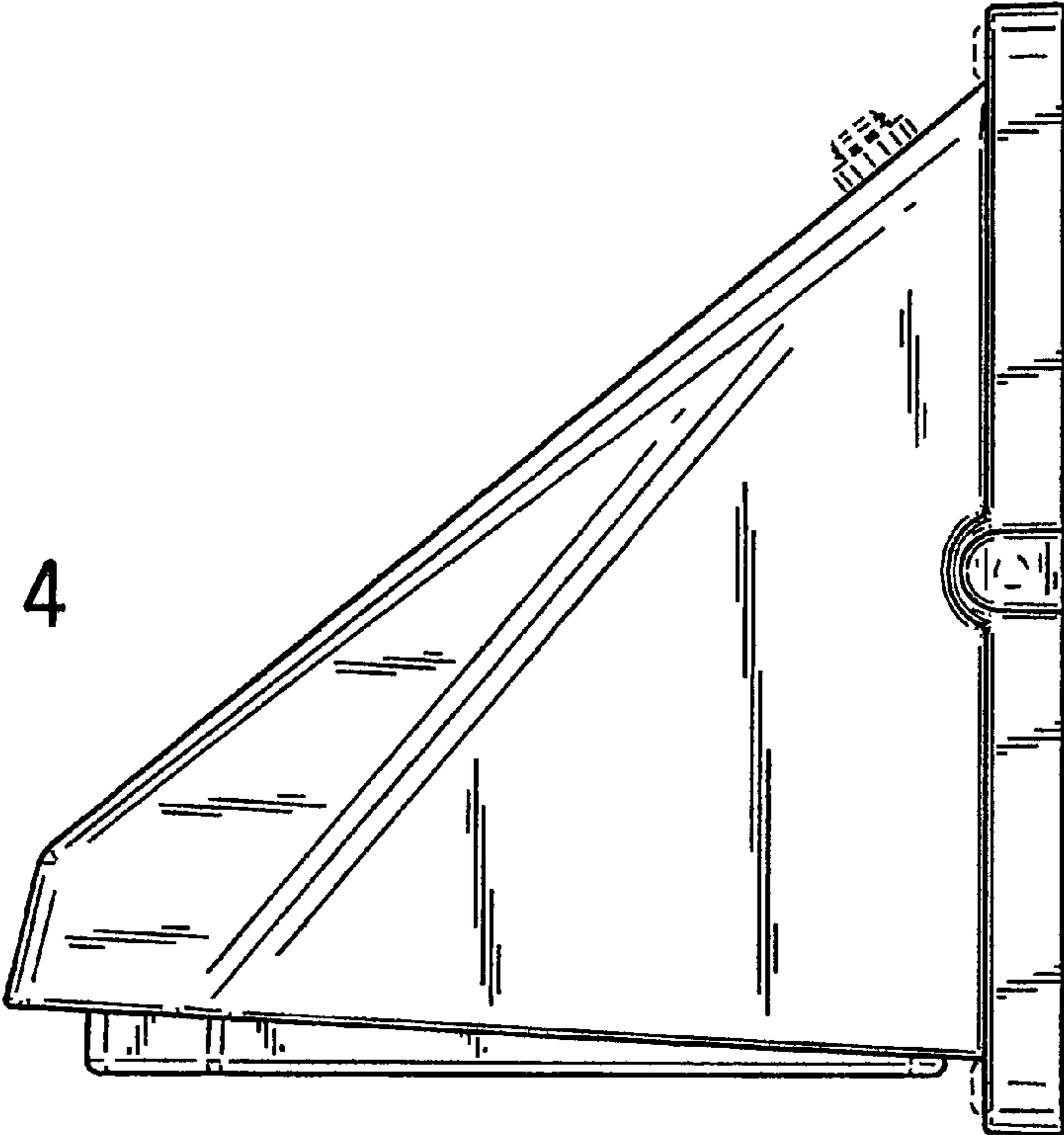
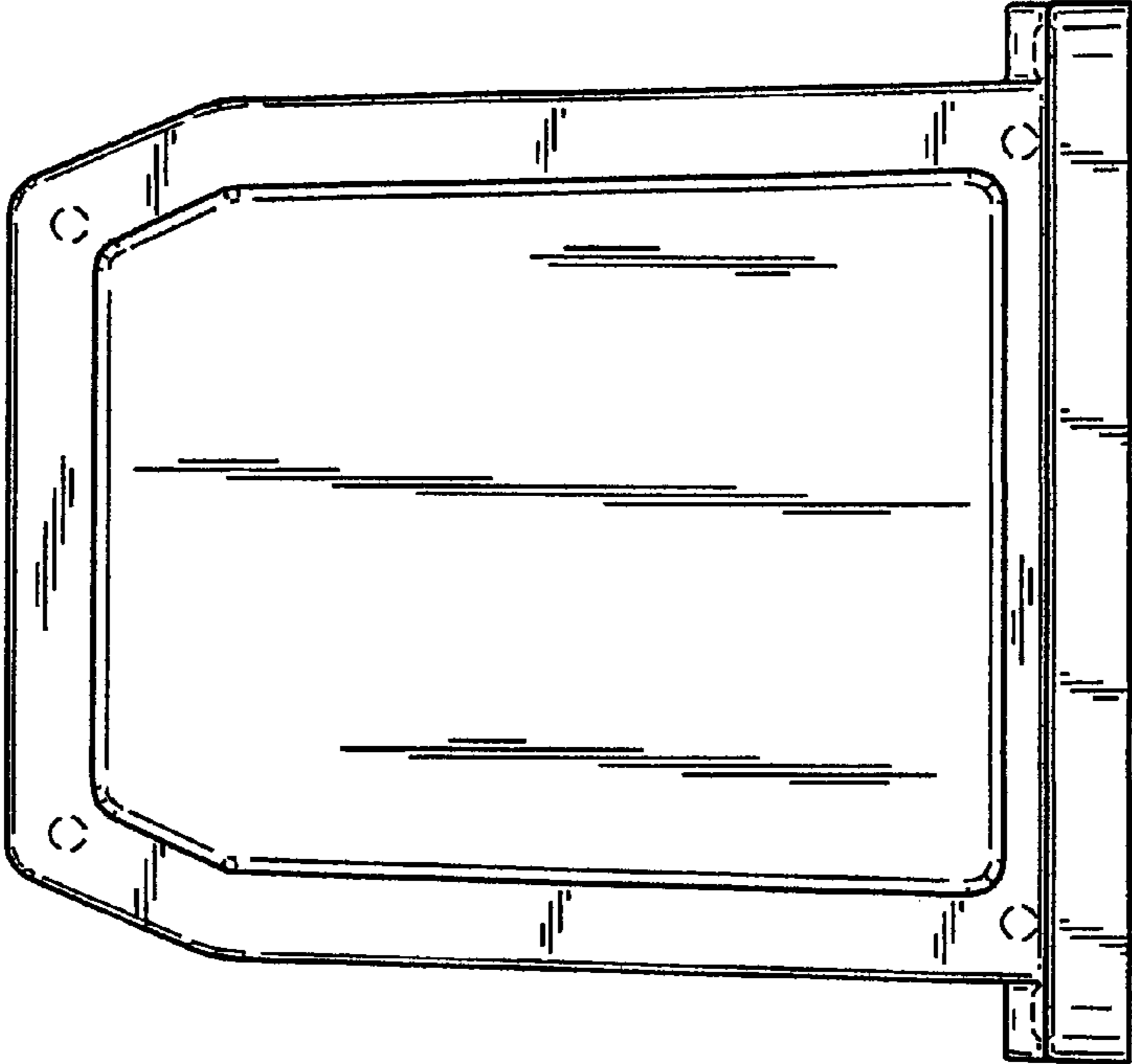


FIG. 5



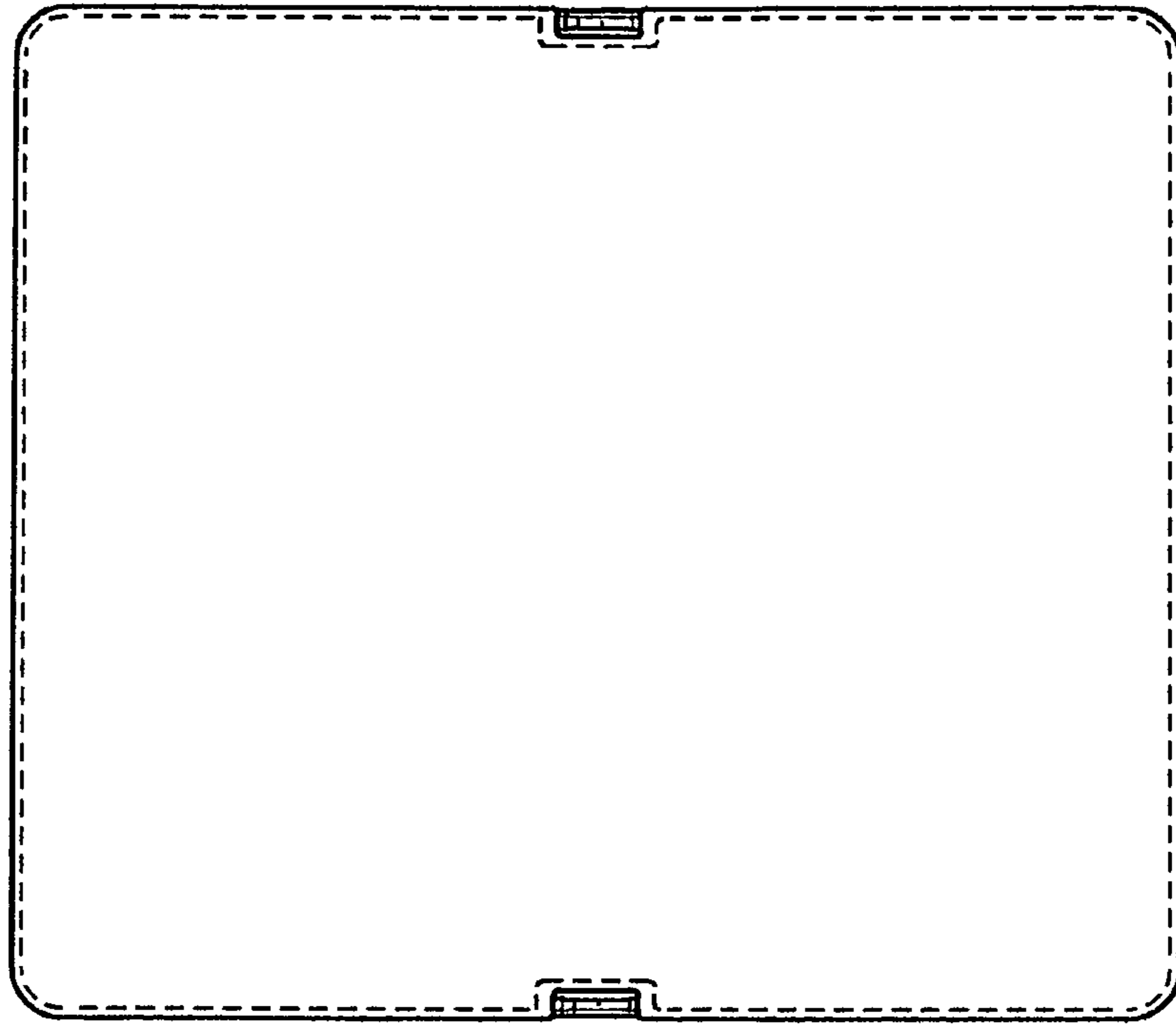


FIG. 7

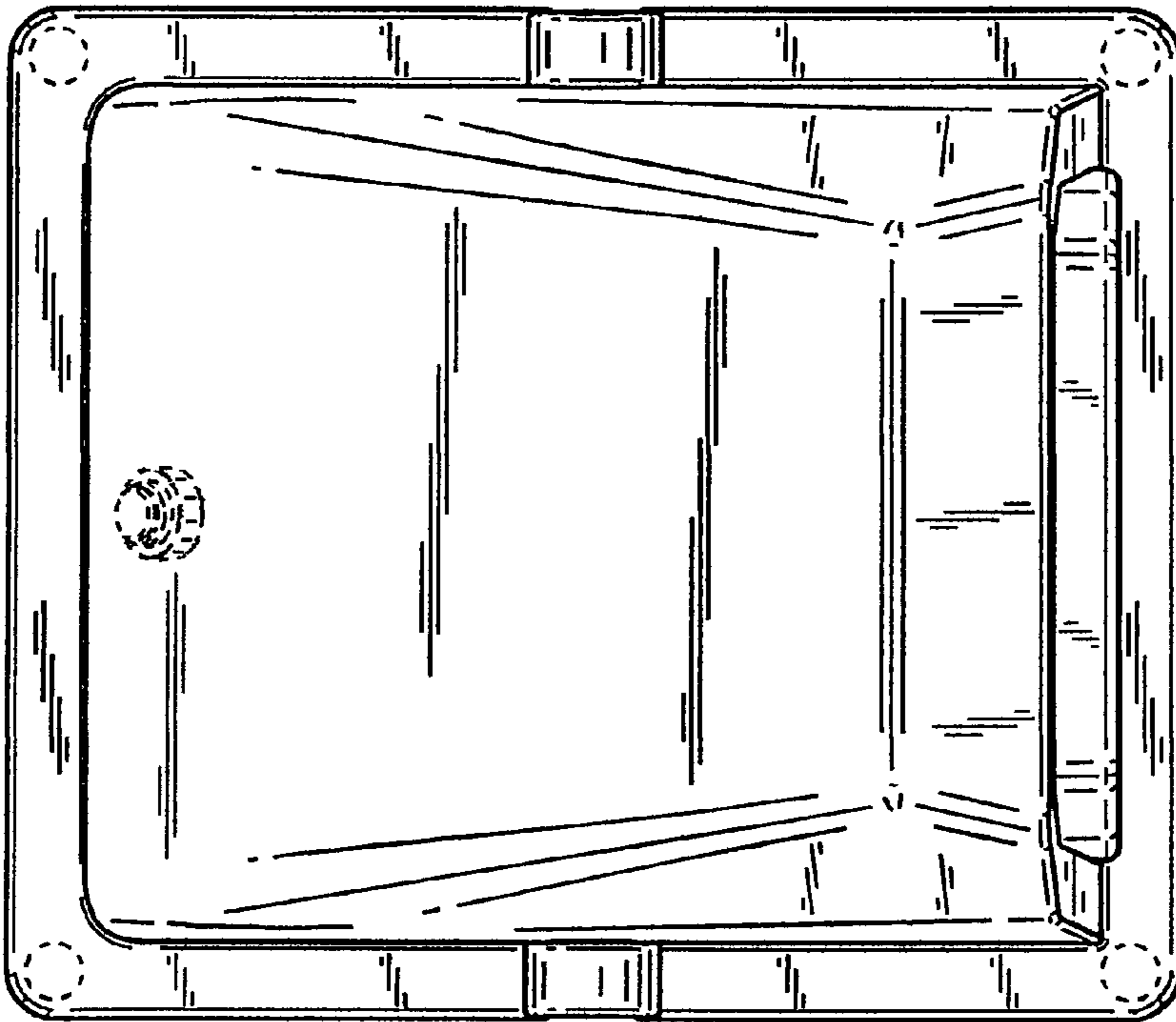


FIG. 6