



US00D716987S

(12) **United States Design Patent**
Waldmann

(10) **Patent No.:** **US D716,987 S**

(45) **Date of Patent:** **** Nov. 4, 2014**

(54) **UNIVERSAL LIGHT**

(71) Applicant: **Gerhard Waldmann**, Stein am Rhein (CH)

(72) Inventor: **Gerhard Waldmann**, Stein am Rhein (CH)

(73) Assignee: **Herbert Waldmann GmbH & Co. KG**, Villingen-Schwenningen (DE)

(**) Term: **14 Years**

(21) Appl. No.: **29/433,437**

(22) Filed: **Sep. 28, 2012**

(30) **Foreign Application Priority Data**

May 9, 2012 (DE) 40 2012 100 359

(51) **LOC (10) Cl.** **26-03**

(52) **U.S. Cl.**
USPC **D26/65**

(58) **Field of Classification Search**
USPC D26/24, 61-67, 93, 102, 104-105,
D26/108-10, 107; 362/509, 516, 523, 186,
362/217, 255, 257, 277, 317, 319, 351, 354,
362/355, 357, 358, 362, 382, 410, 413, 417,
362/806

See application file for complete search history.

(56) **References Cited**

U.S. PATENT DOCUMENTS

D369,431 S *	4/1996	Muellenmeister	D26/65
D528,691 S *	9/2006	Waldmann	D26/65
D617,933 S *	6/2010	Ng	D26/65
D644,368 S *	8/2011	Fu	D26/65
D667,982 S *	9/2012	Meda et al.	D26/65
D690,047 S *	9/2013	Ng	D26/65

* cited by examiner

Primary Examiner — Brian N Vinson

(74) *Attorney, Agent, or Firm* — Andrew F. Young, Esq.;
Lackebach Siegel, LLP

(57) **CLAIM**

The ornamental design for a universal light, as shown and described.

DESCRIPTION

FIG. 1 is a front perspective view of a first embodiment of the invention.

FIG. 2 is a right side elevation view of FIG. 1.

FIG. 3 is a top plan view of FIG. 1.

FIG. 4 is a left side view of FIG. 1.

FIG. 5 is a bottom plan view of FIG. 1.

FIG. 6 is a front elevation view of FIG. 1.

FIG. 7 is a rear elevation view of FIG. 1.

FIG. 8 is a front perspective view of a second embodiment of the invention.

FIG. 9 is a right side elevation view of FIG. 8.

FIG. 10 is a top plan view of FIG. 8.

FIG. 11 is a left side view of FIG. 8.

FIG. 12 is a bottom plan view of FIG. 8.

FIG. 13 is a front elevation view of FIG. 8.

FIG. 14 is a rear elevation view of FIG. 8.

FIG. 15 is a front perspective view of a third embodiment of the invention.

FIG. 16 is a right side elevation view of FIG. 15.

FIG. 17 is a top plan view of FIG. 15.

FIG. 18 is a left side view of FIG. 15.

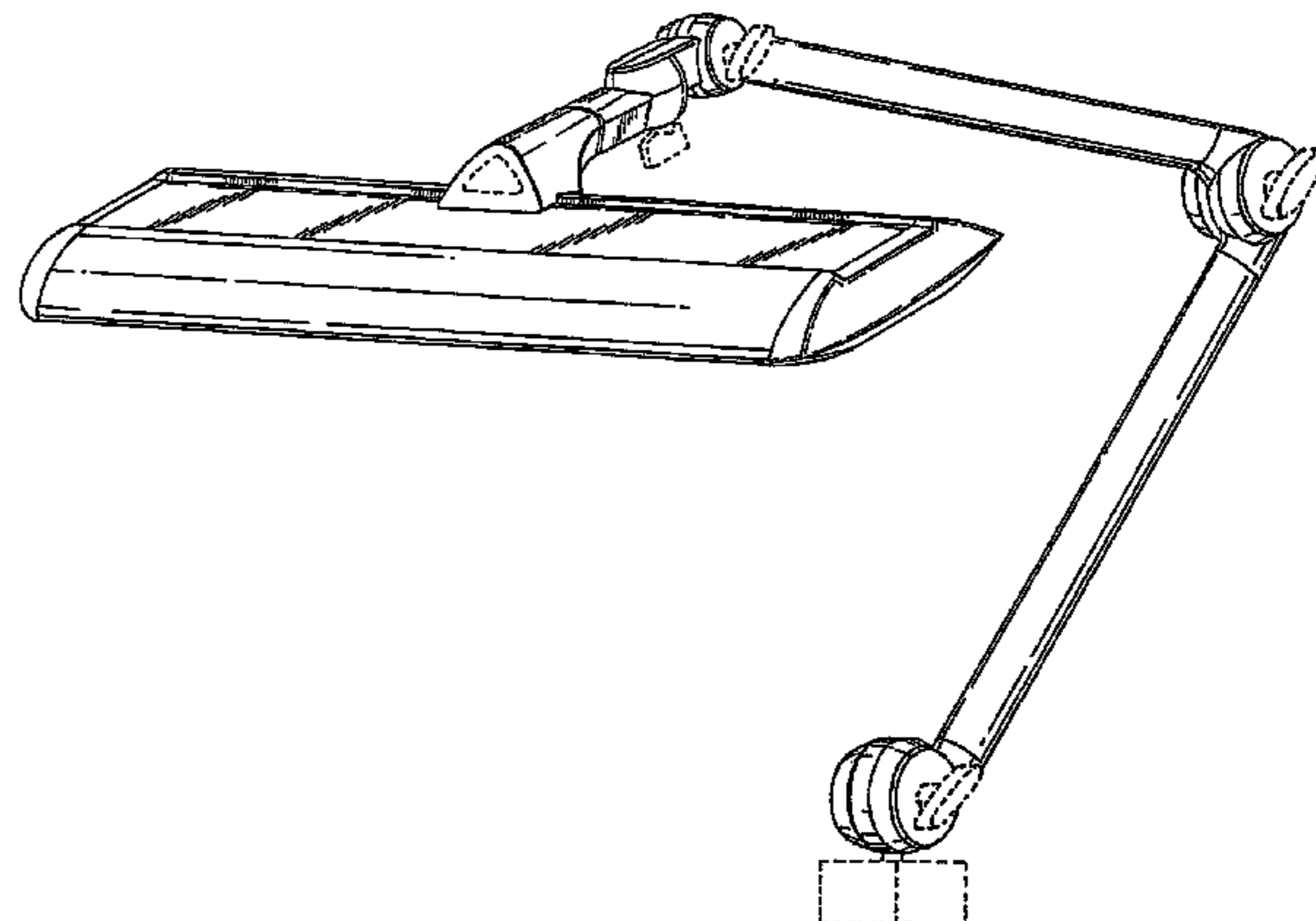
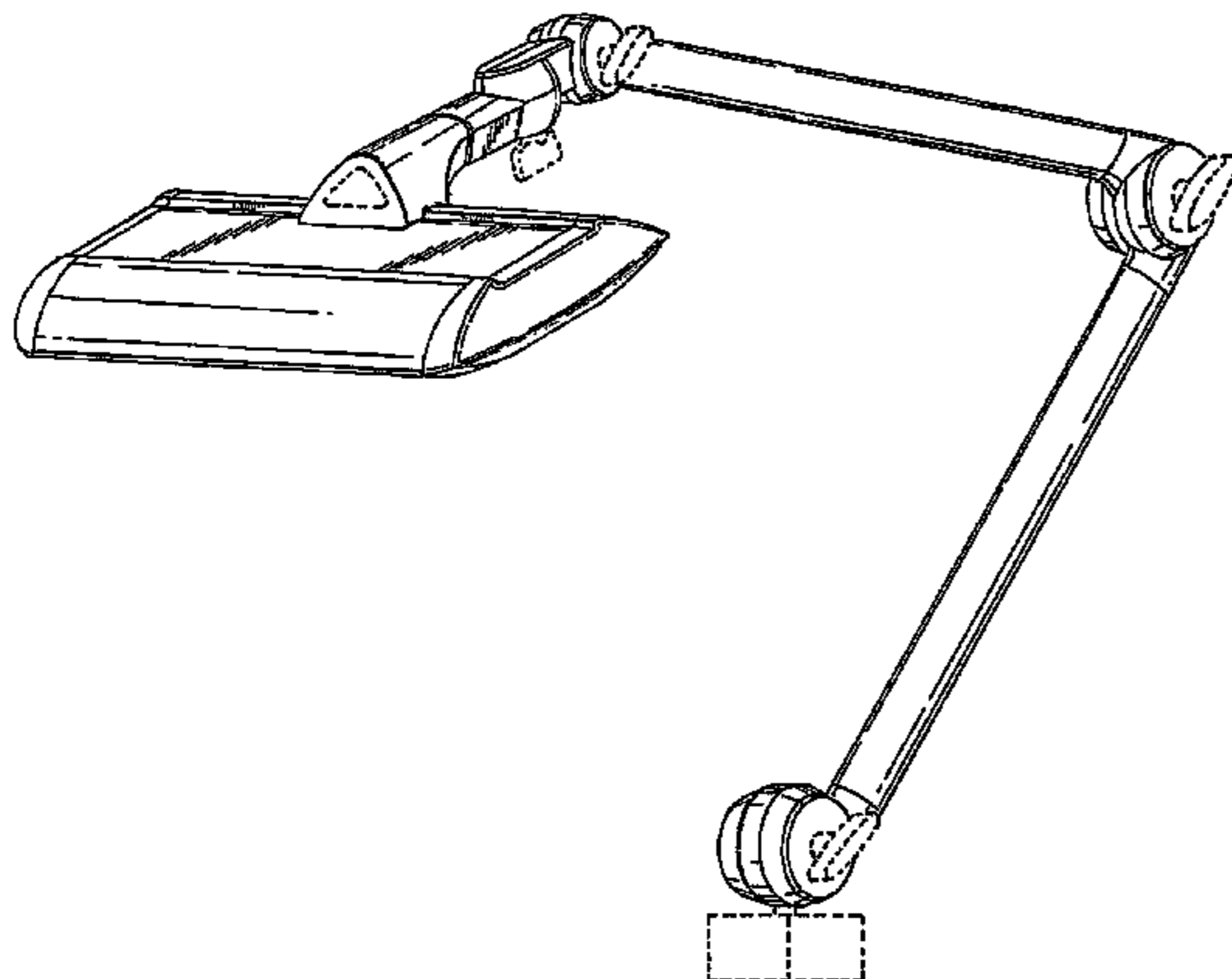
FIG. 19 is a bottom plan view of FIG. 15.

FIG. 20 is a front elevation view of FIG. 15; and,

FIG. 21 is a rear elevation view of FIG. 15.

The surfaces are lightly lined for contour and no claim is made to any particular surface texture. The dashed lines indicated disclaimed portions of the design, and no claim is made to the designated portions indicated by dashed lines, including without limitation any pivot members, support elements, or the light element surface itself.

1 Claim, 19 Drawing Sheets



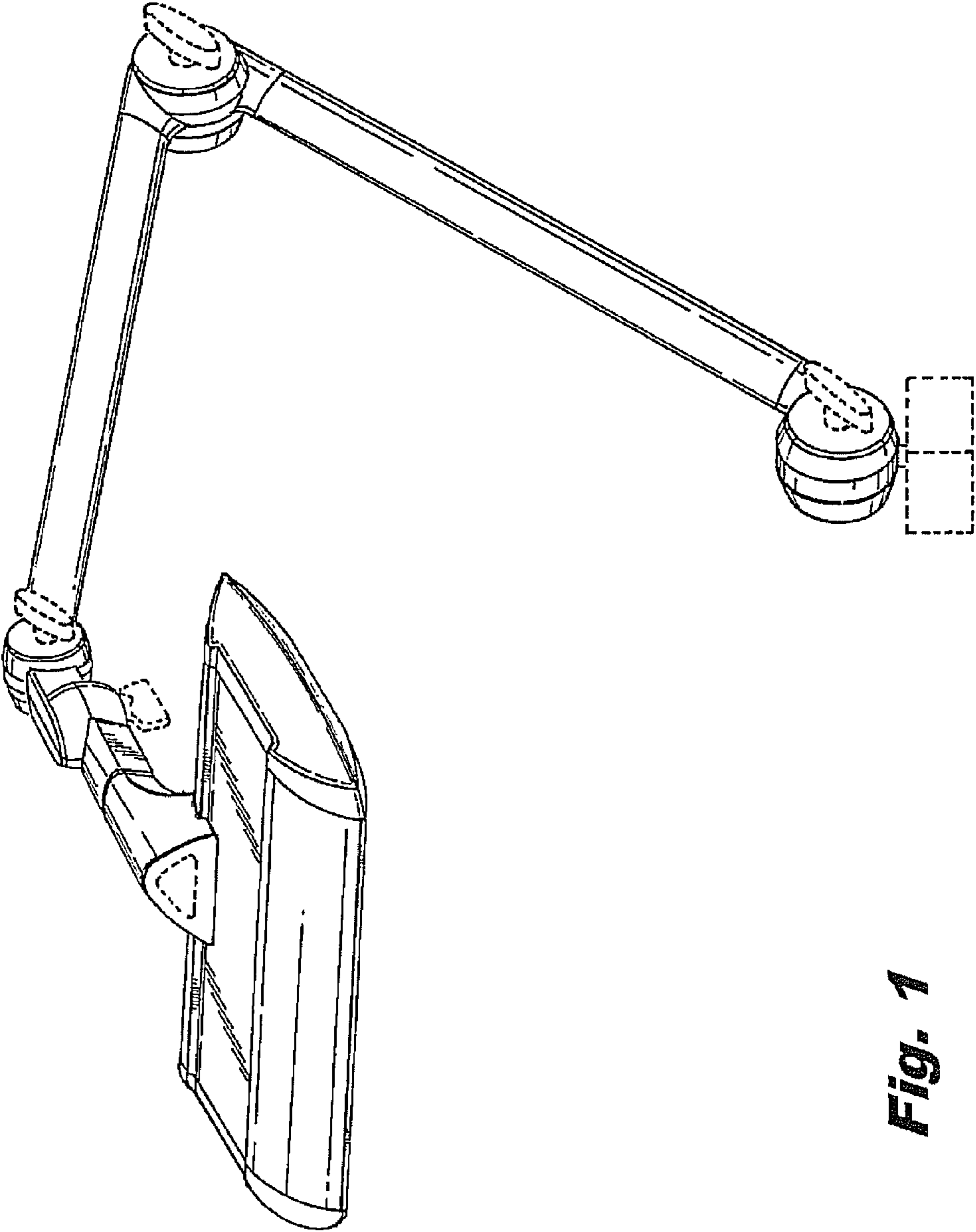


Fig. 1

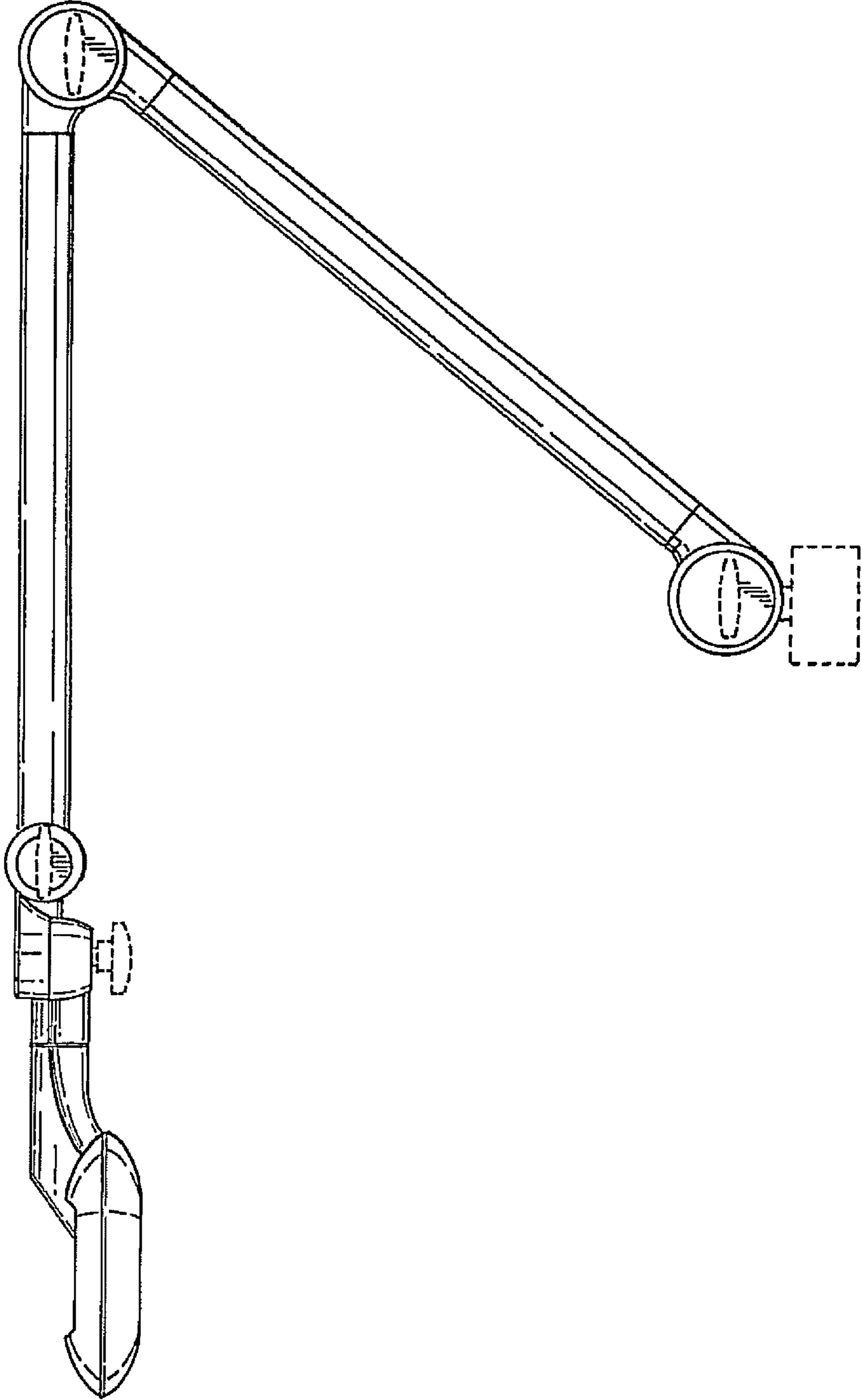


Fig. 2

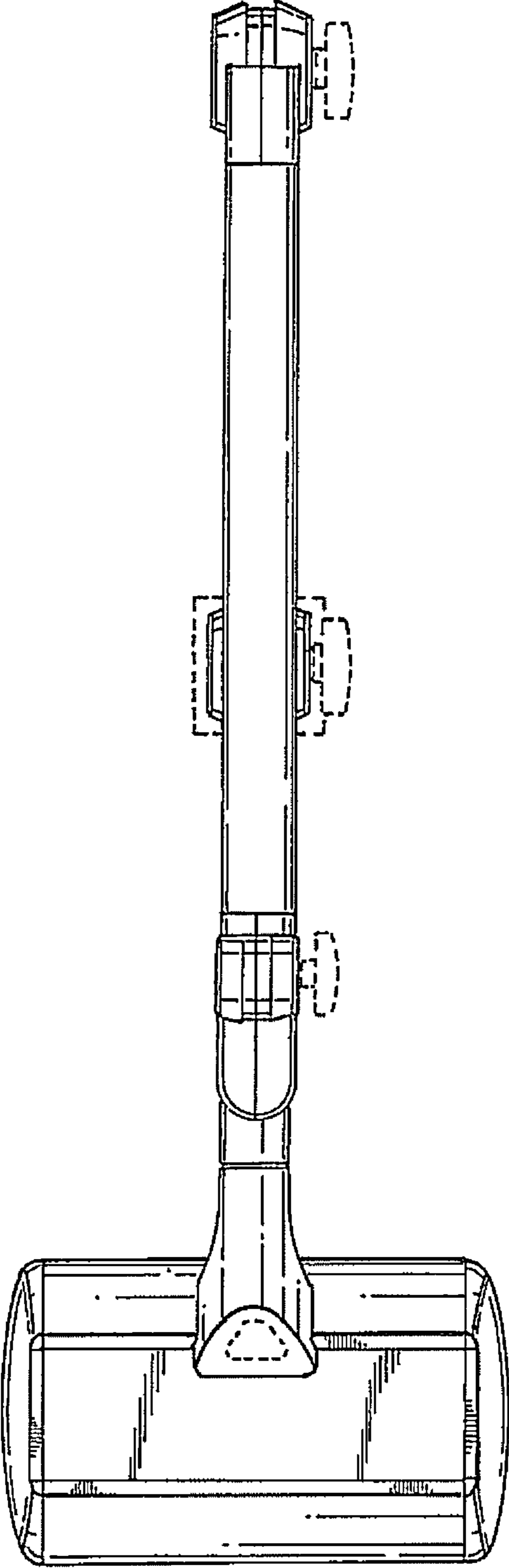


Fig. 3

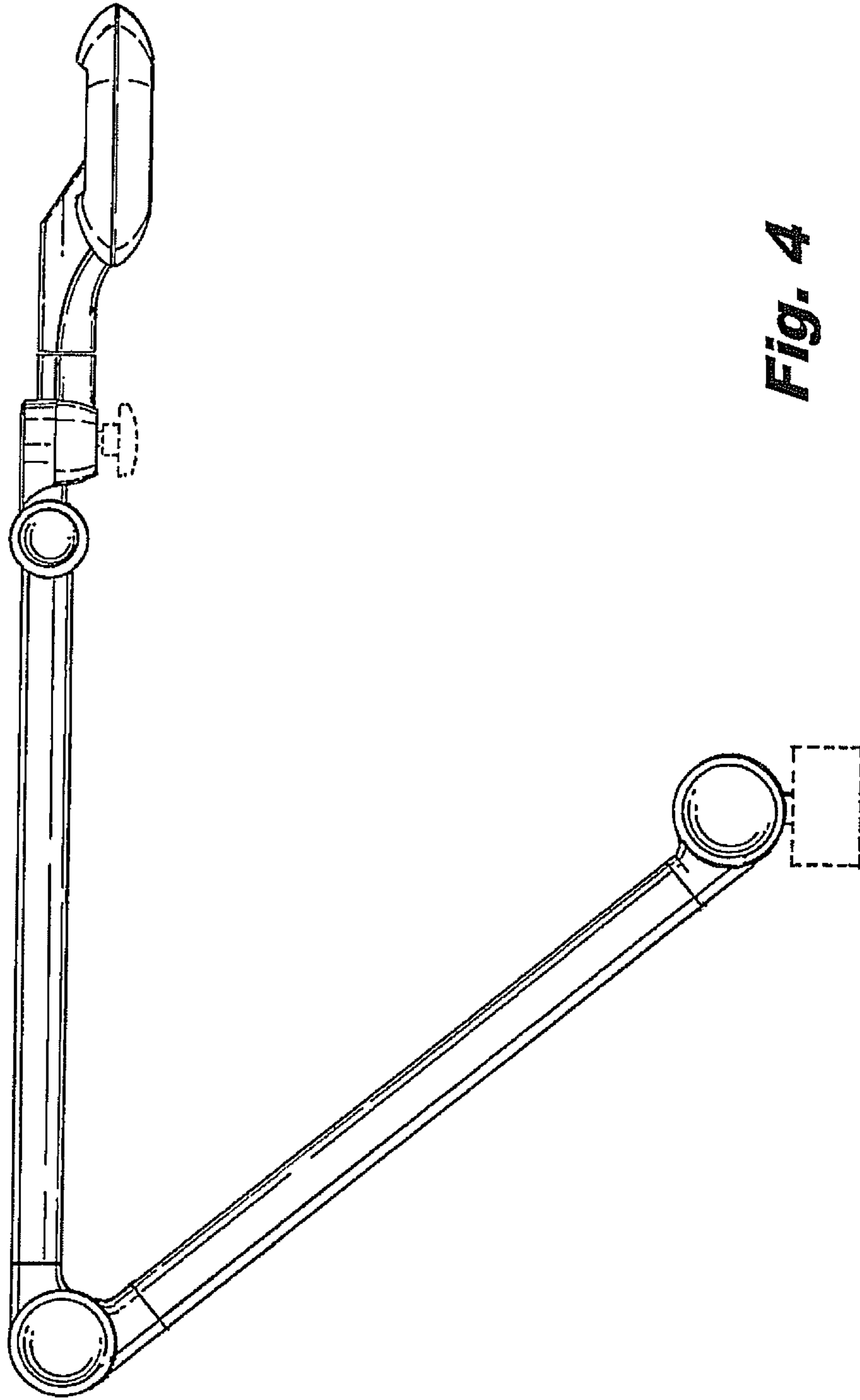


Fig. 4

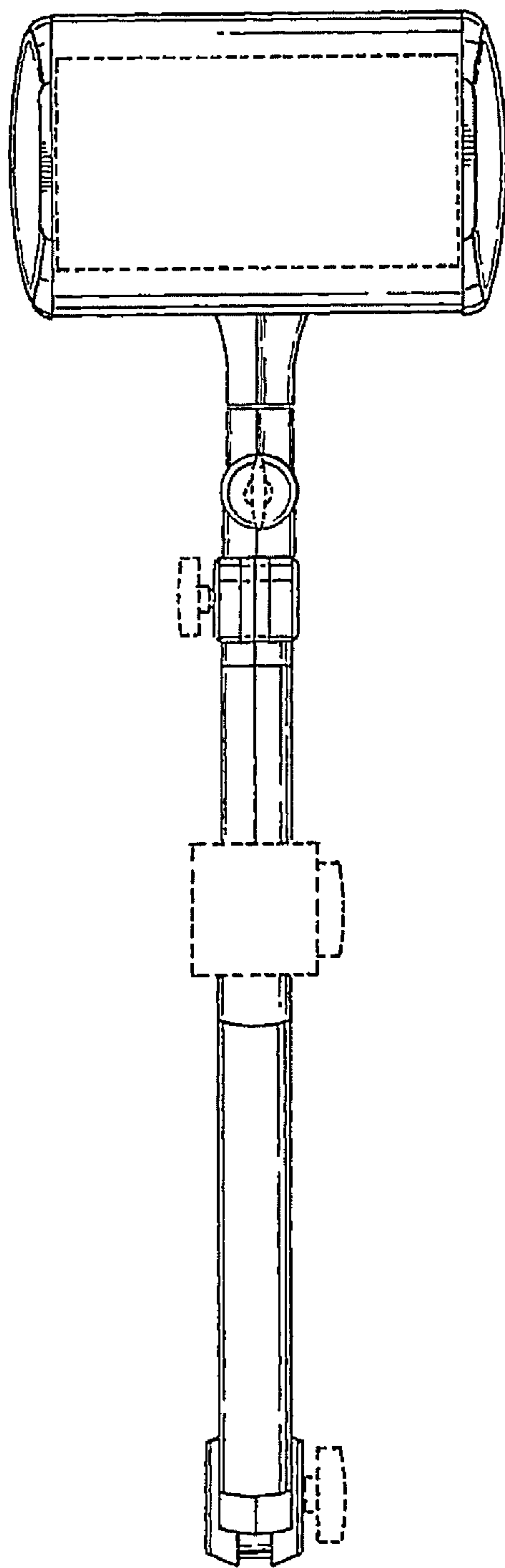


Fig. 5

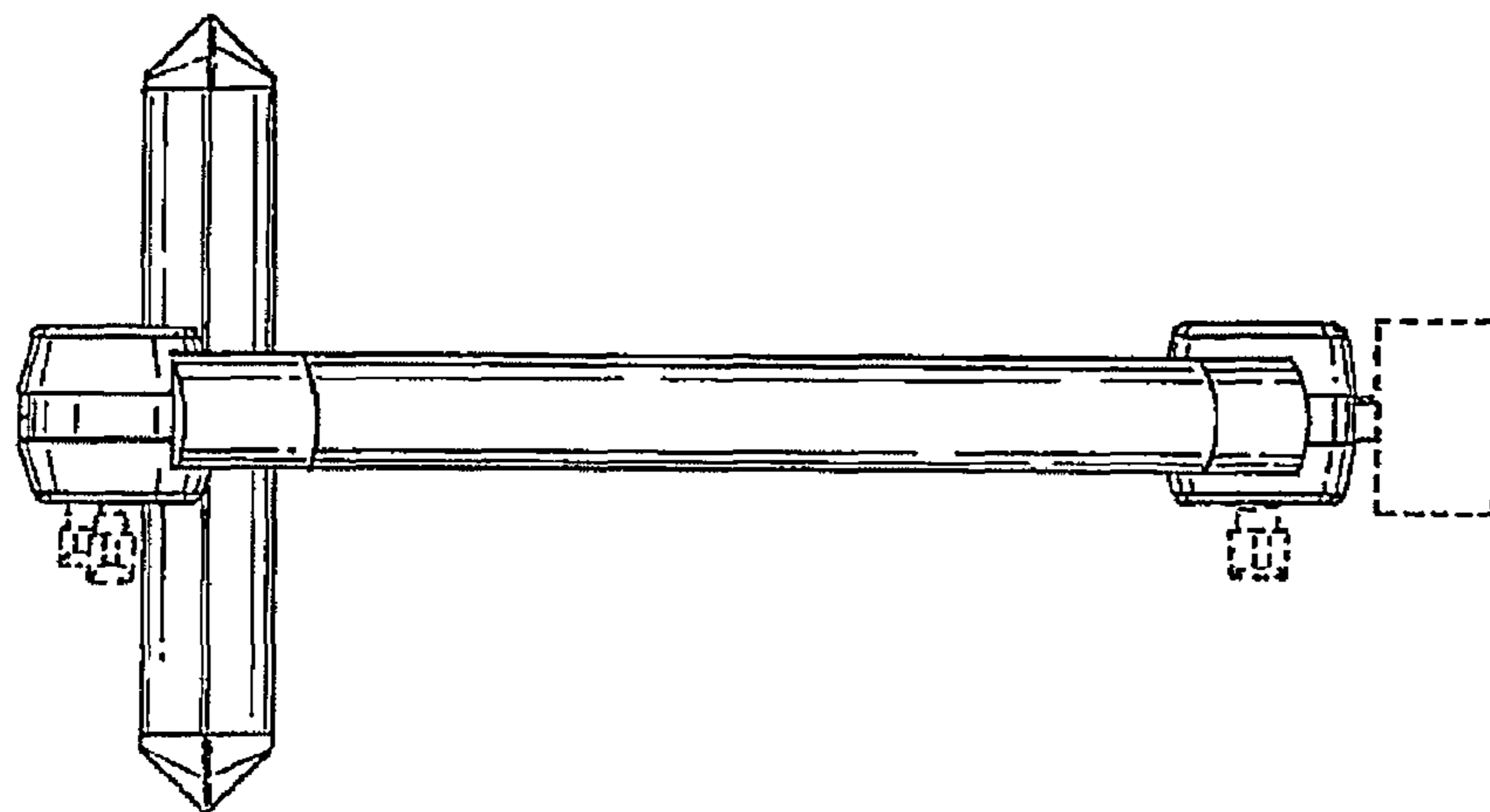


Fig. 7

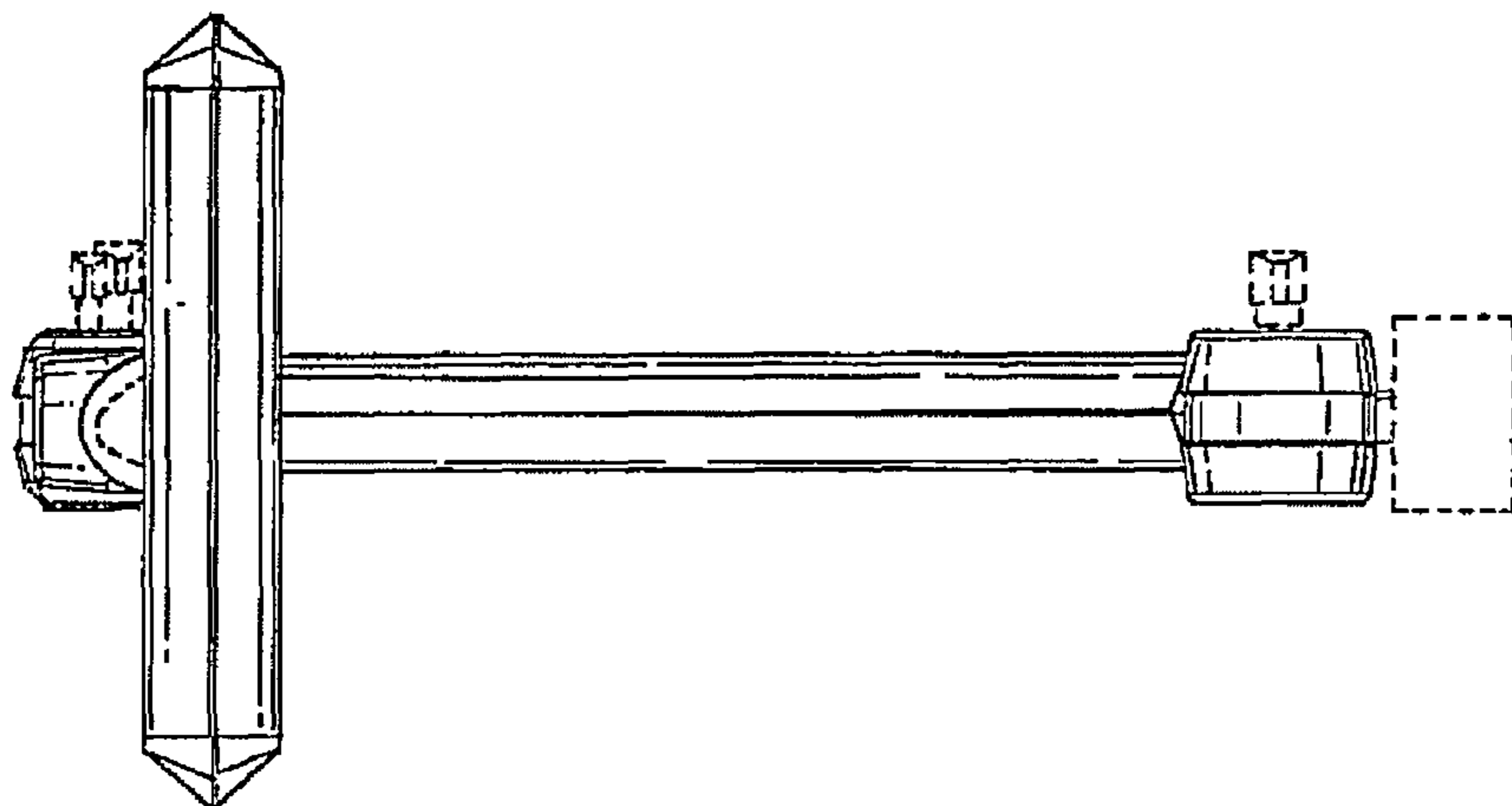


Fig. 6

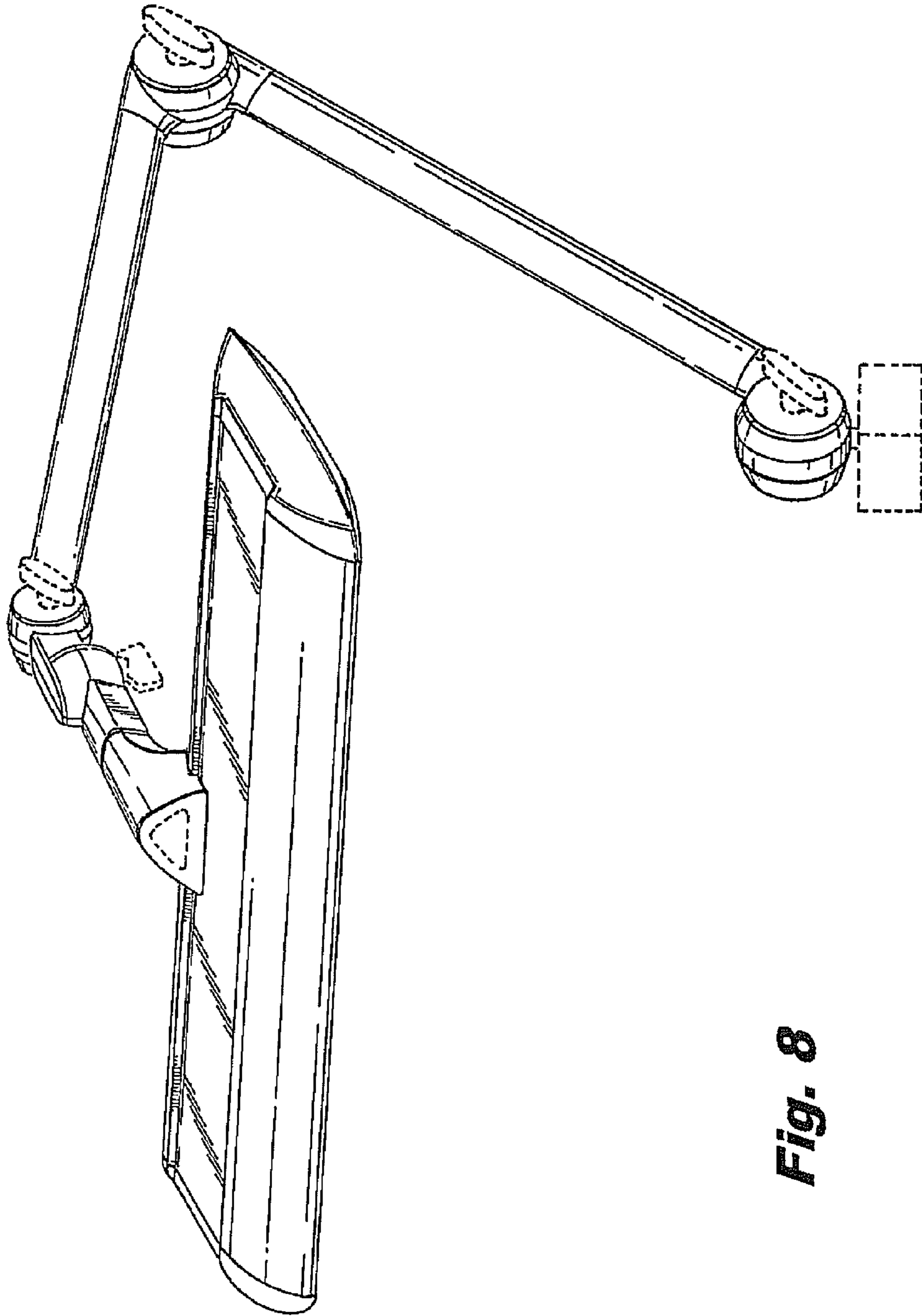


Fig. 8

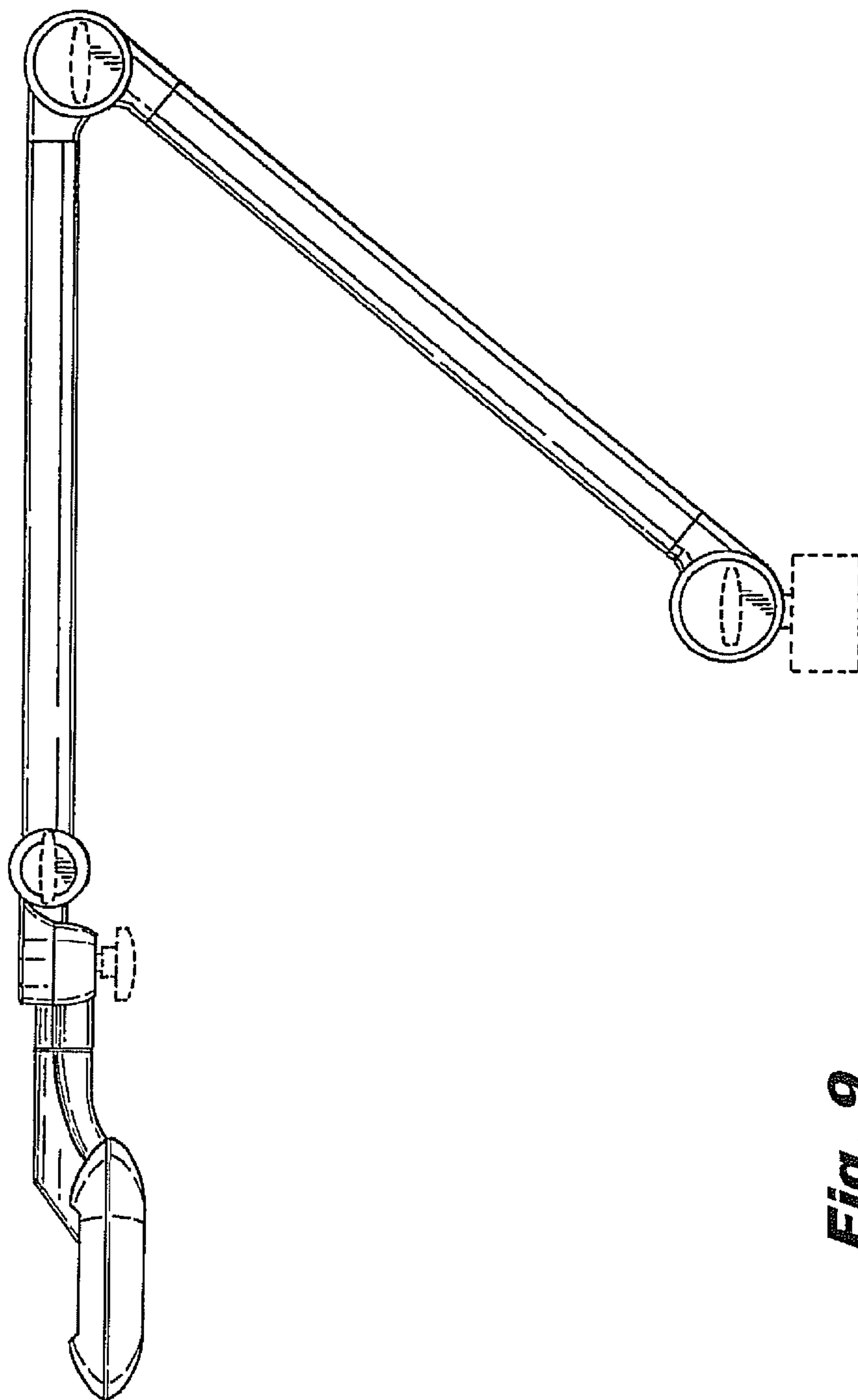


Fig. 9

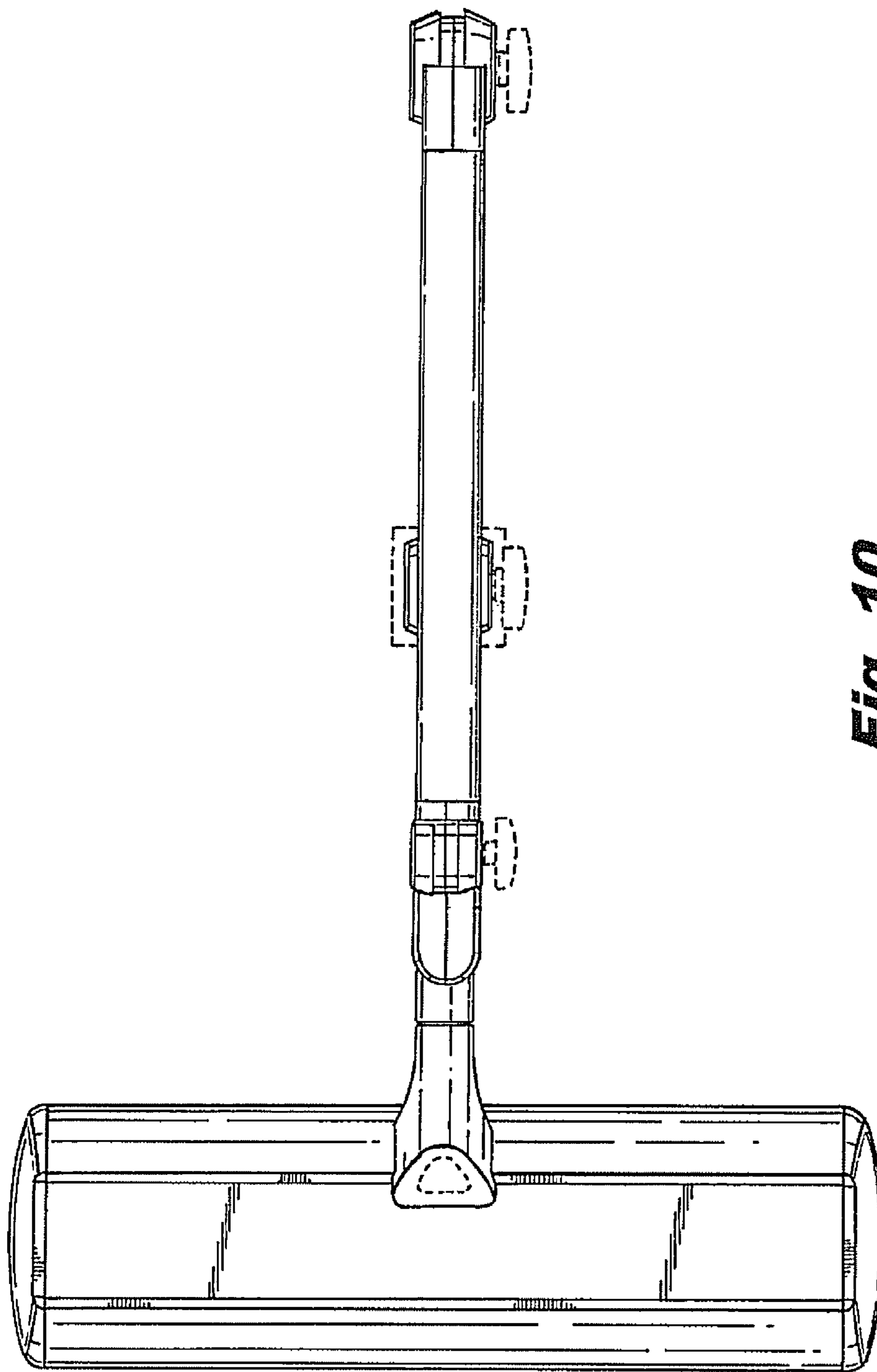


Fig. 10

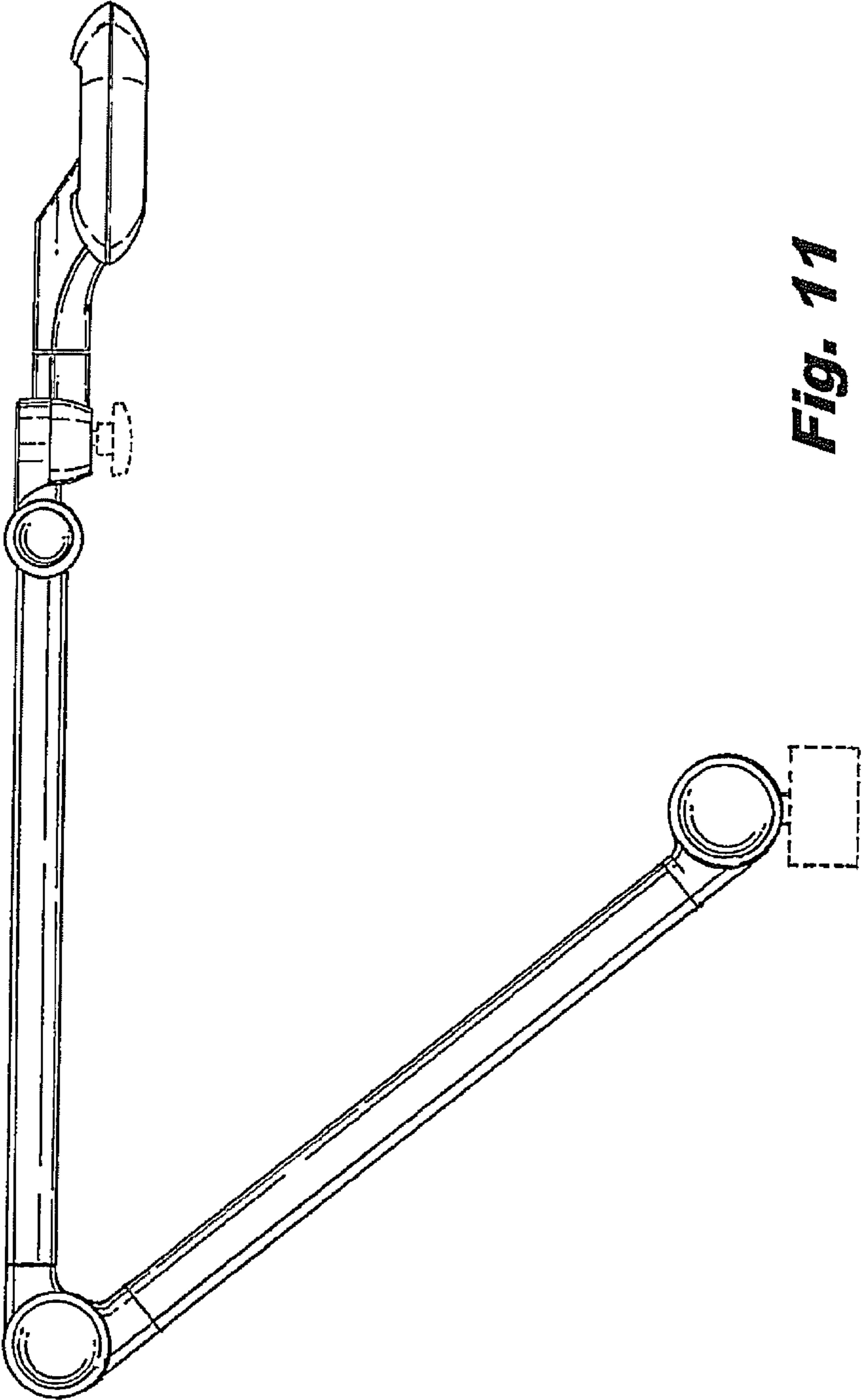


Fig. 11

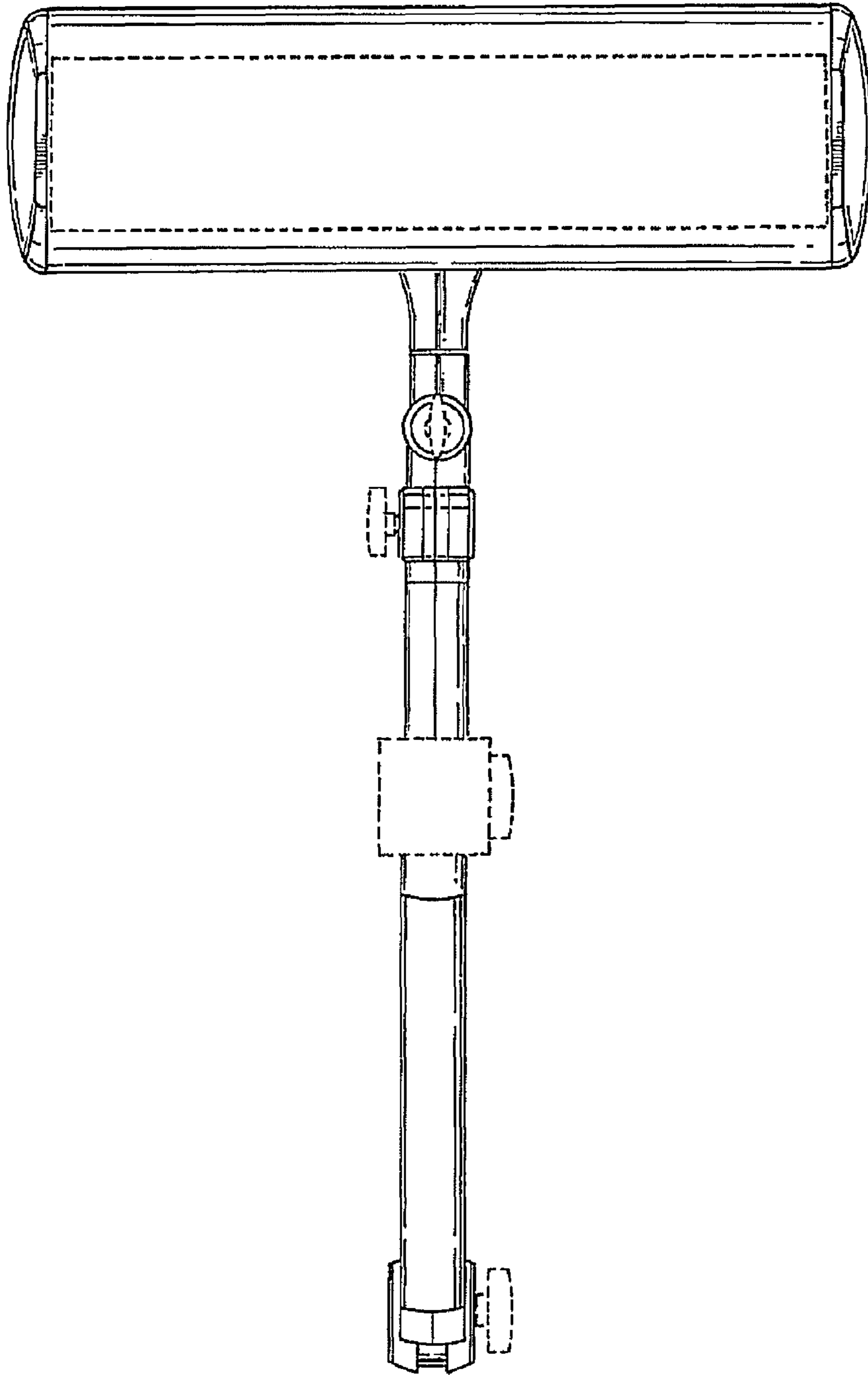


Fig. 12

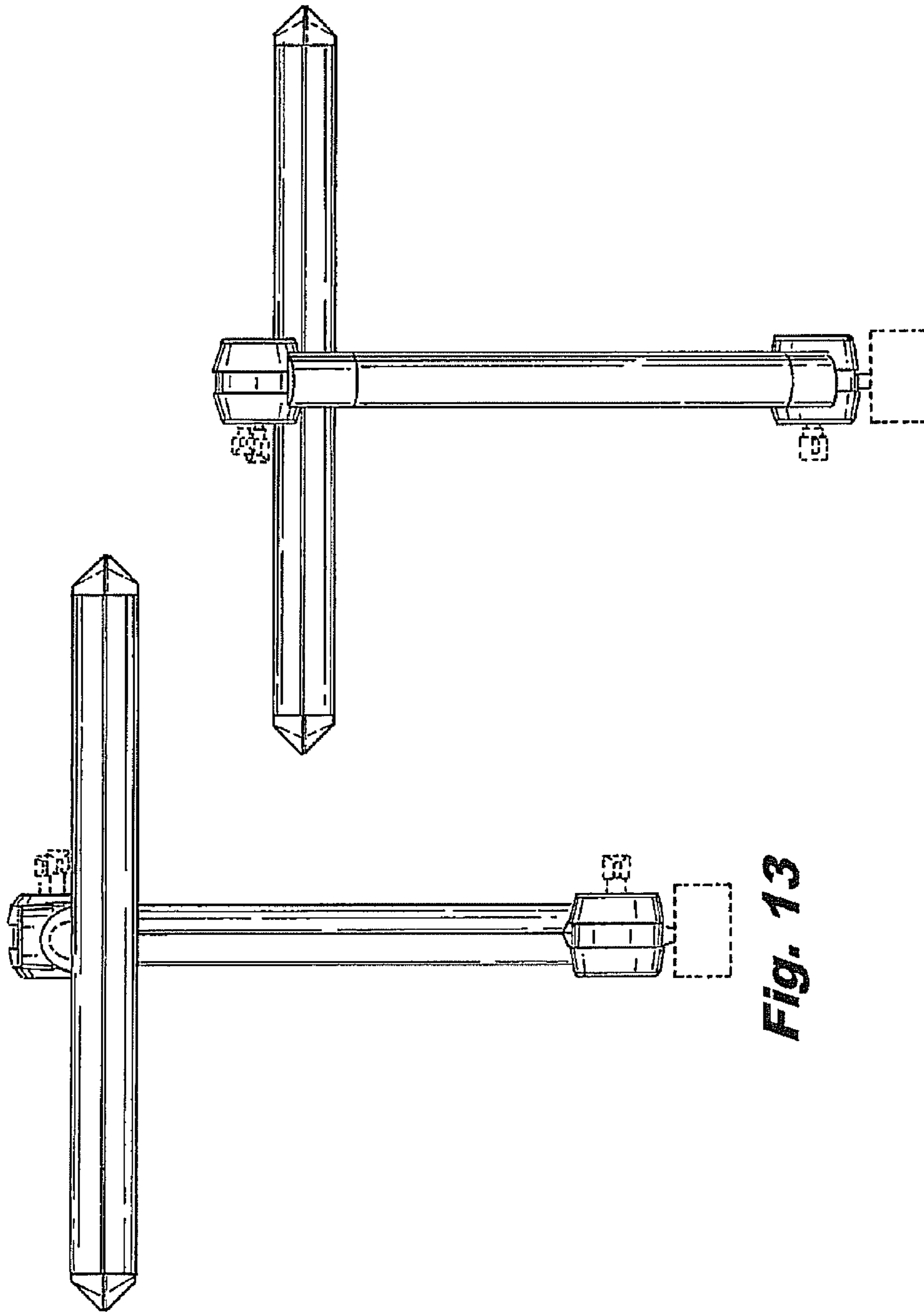


Fig. 13

Fig. 14

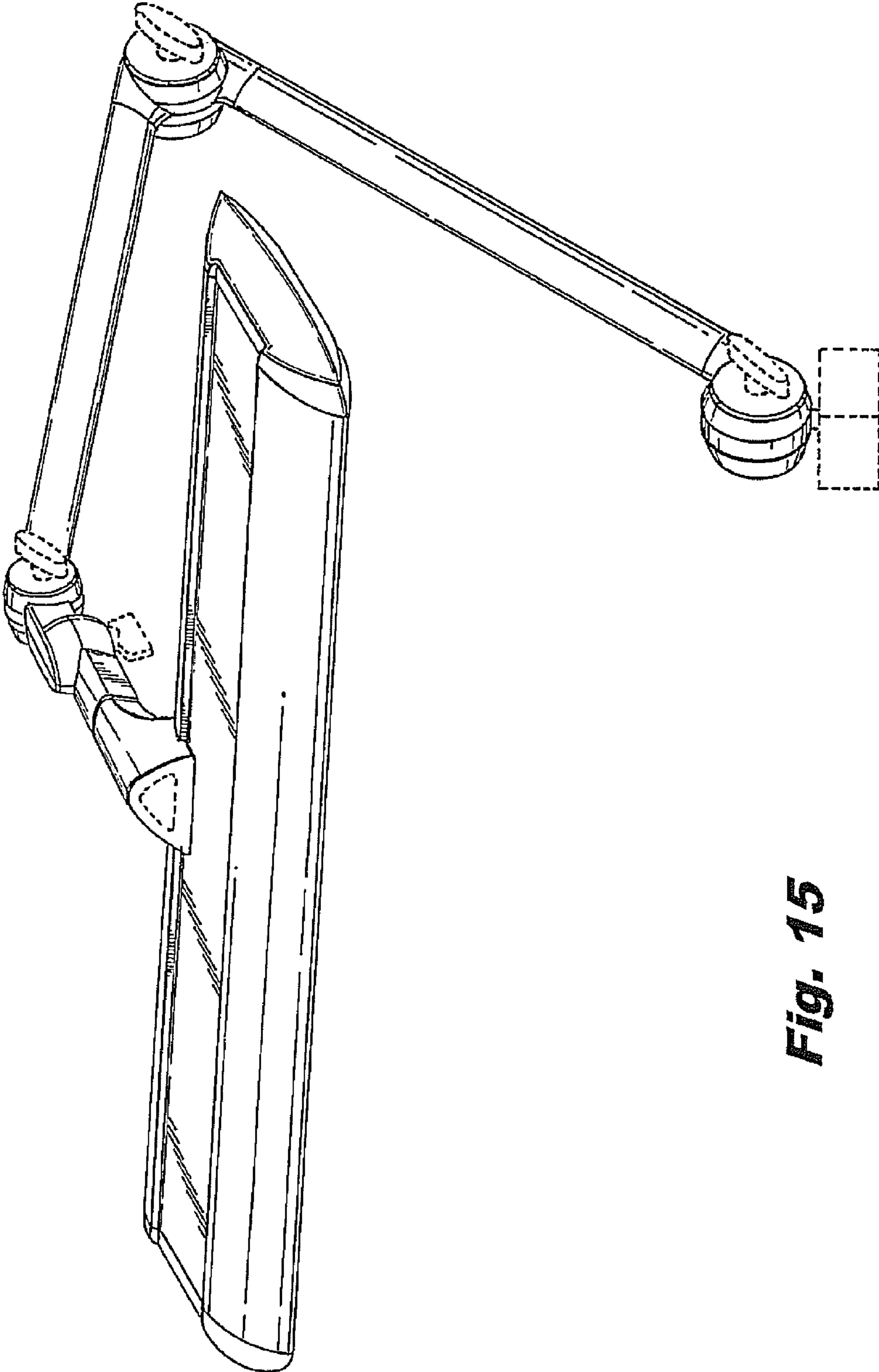


Fig. 15

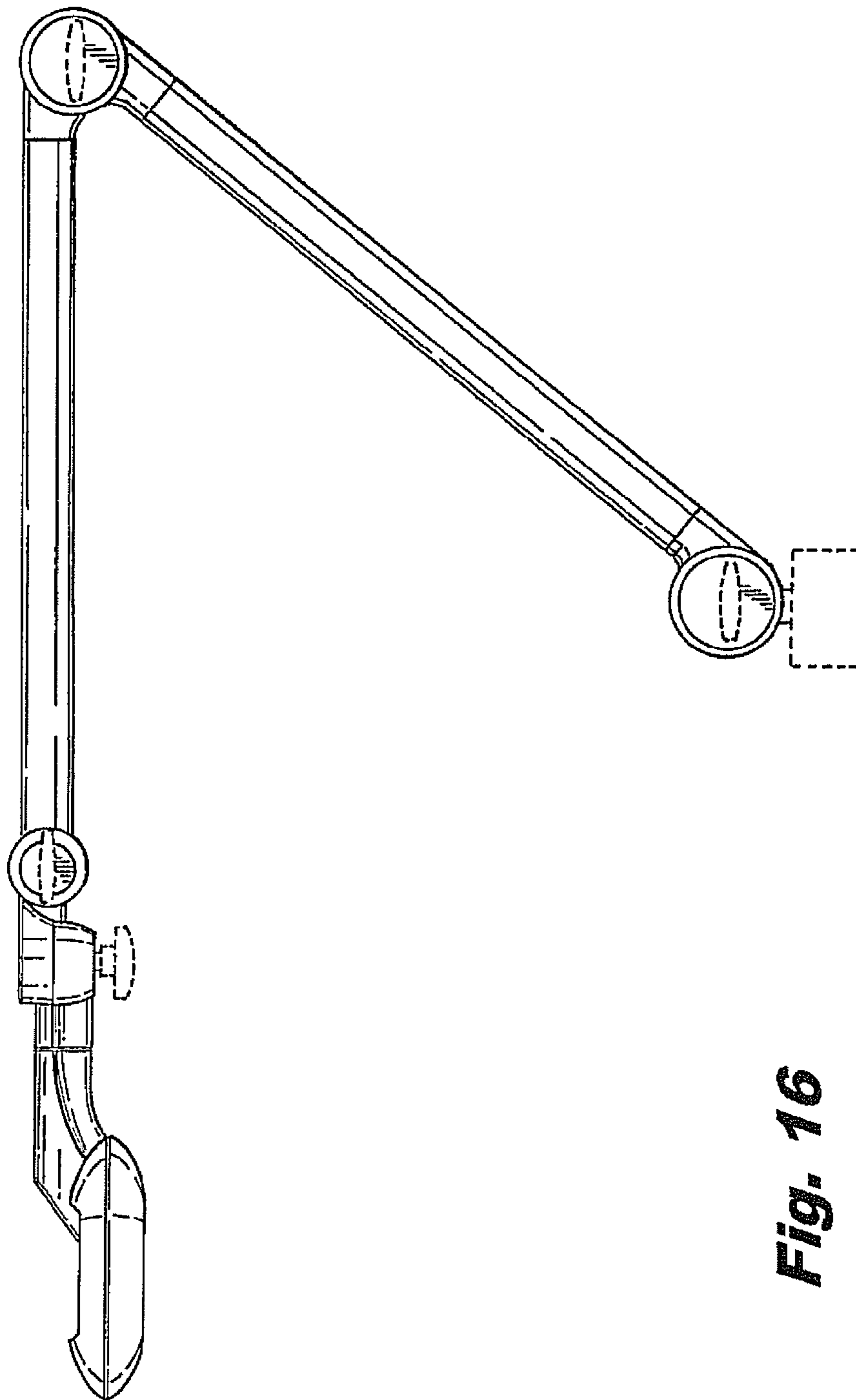


Fig. 16

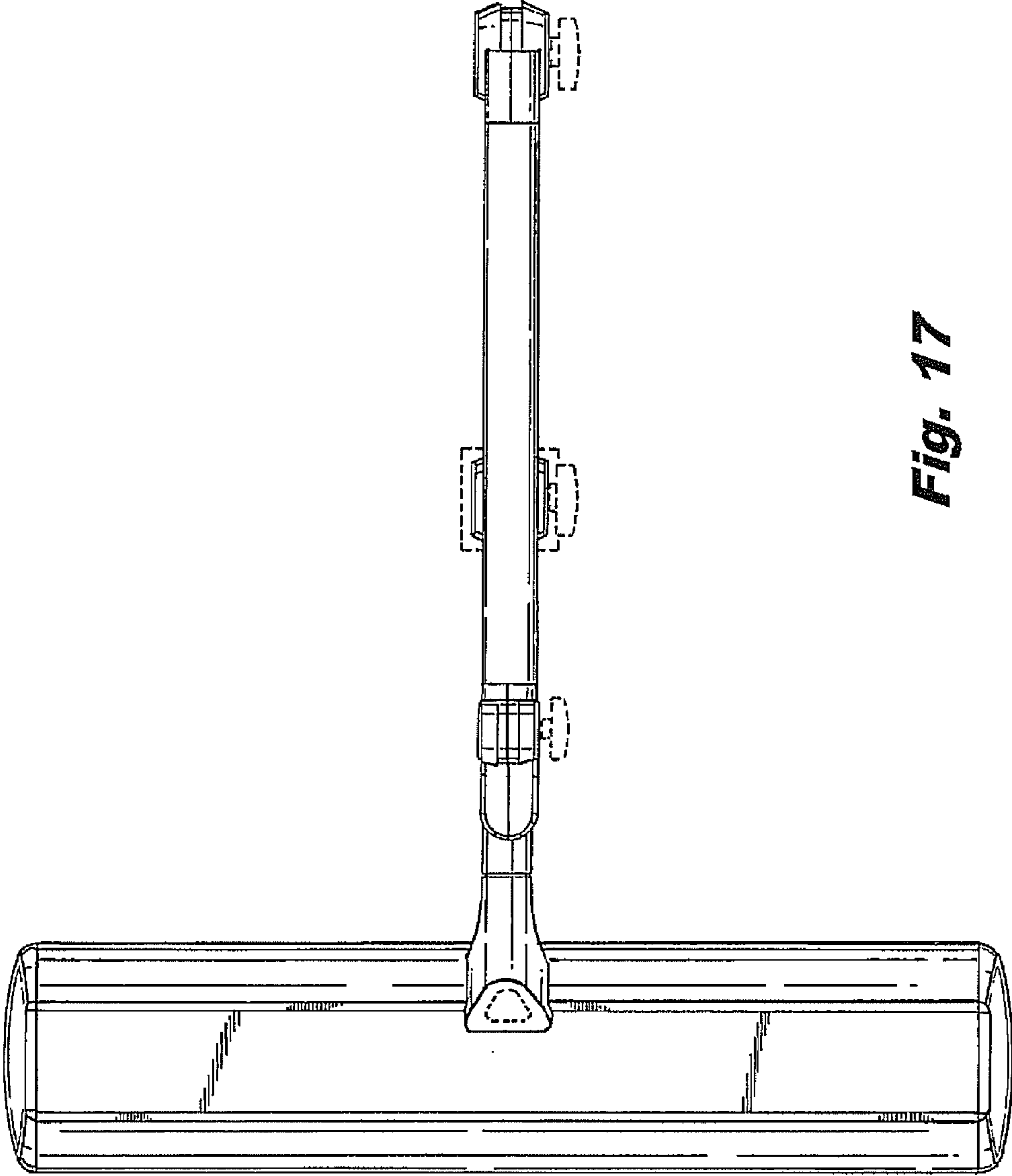


Fig. 17

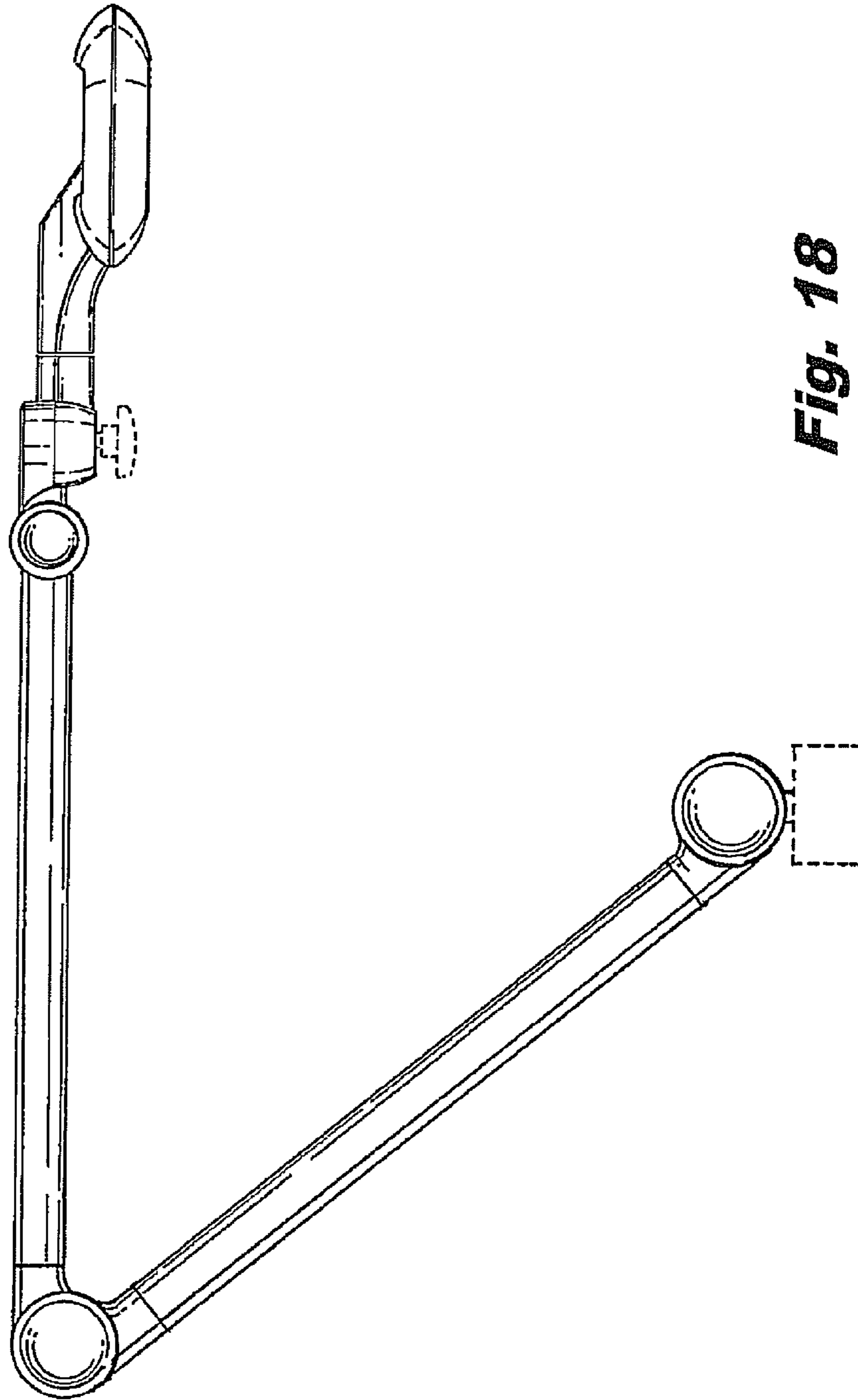


Fig. 18

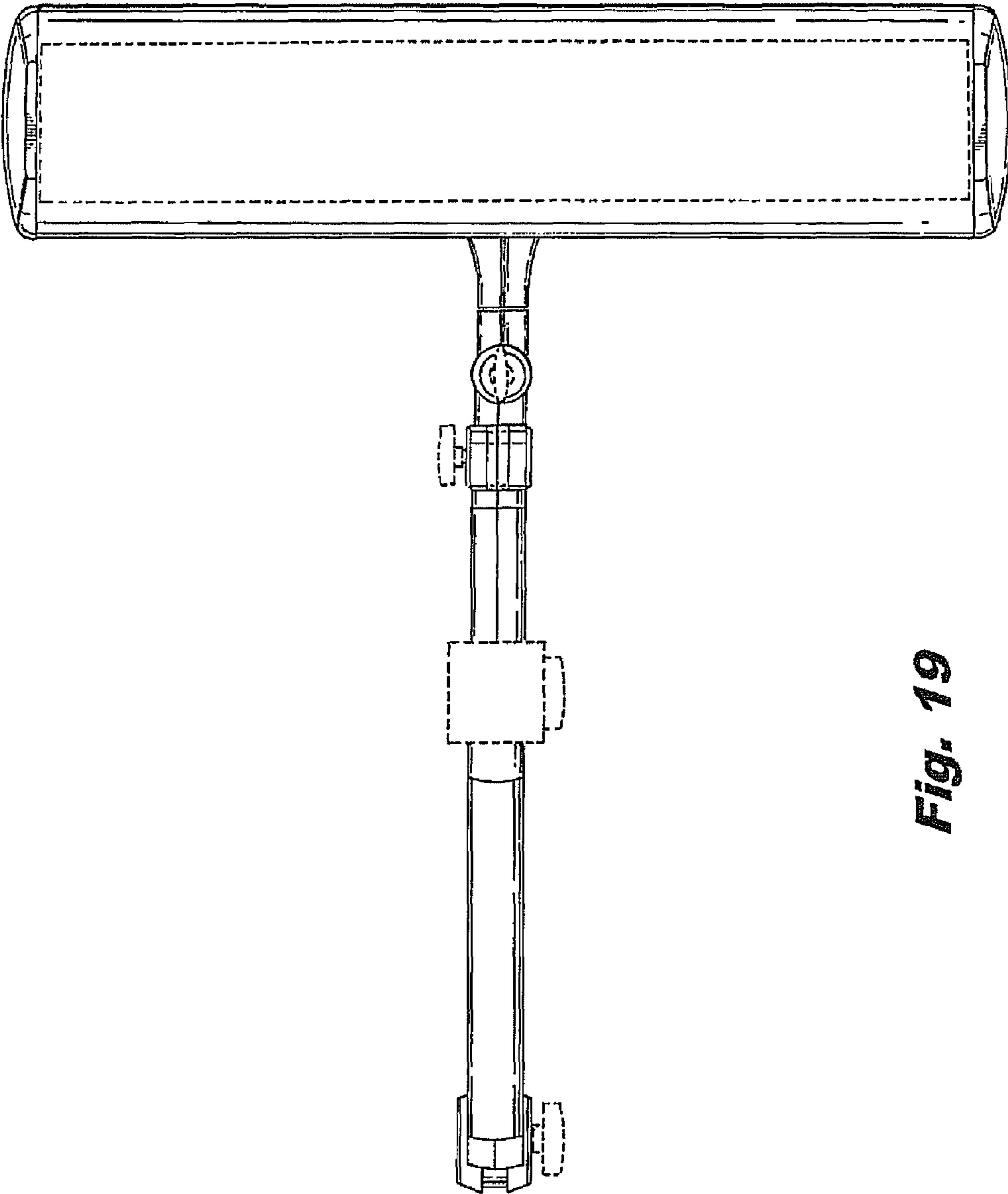


Fig. 19

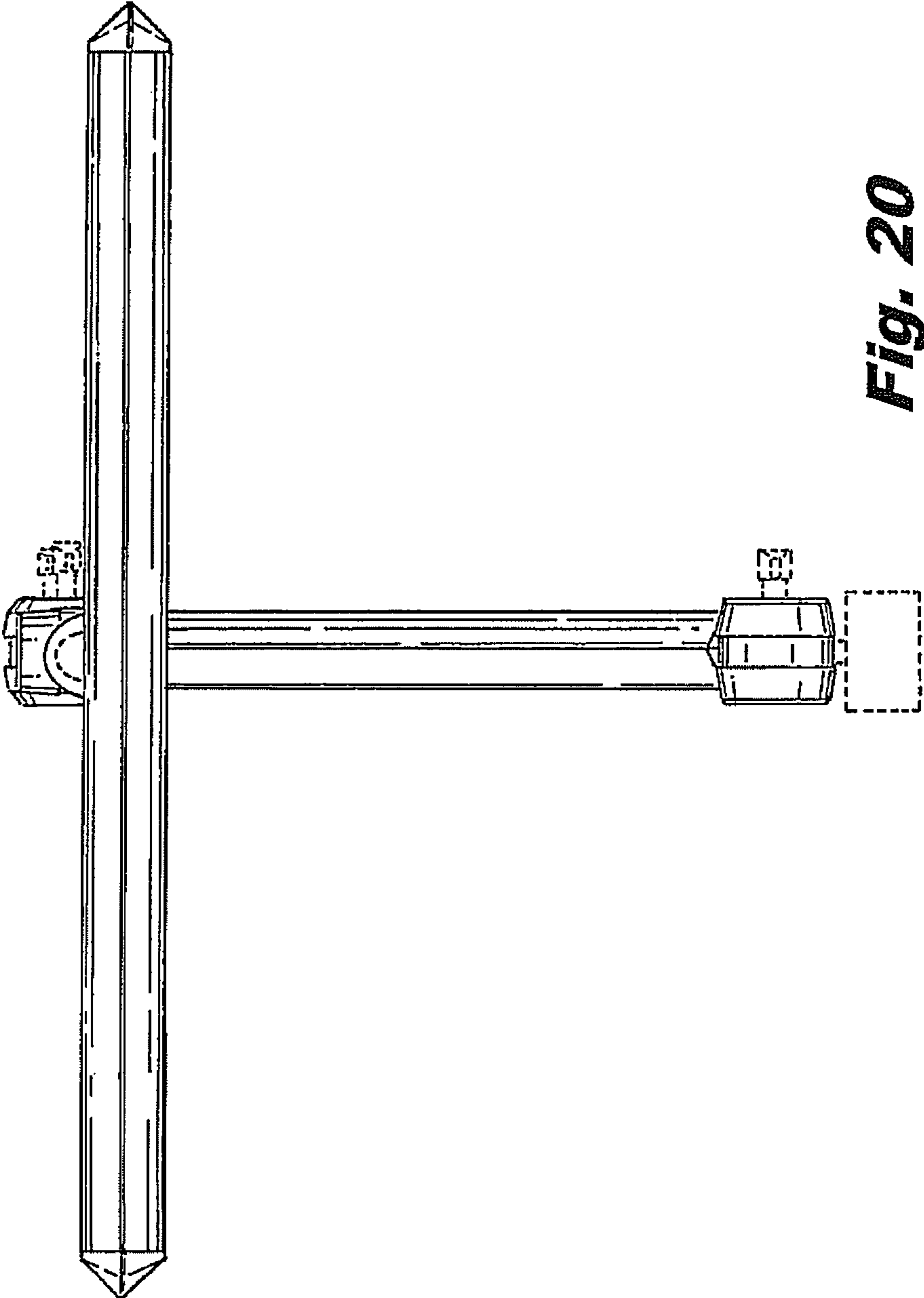


Fig. 20

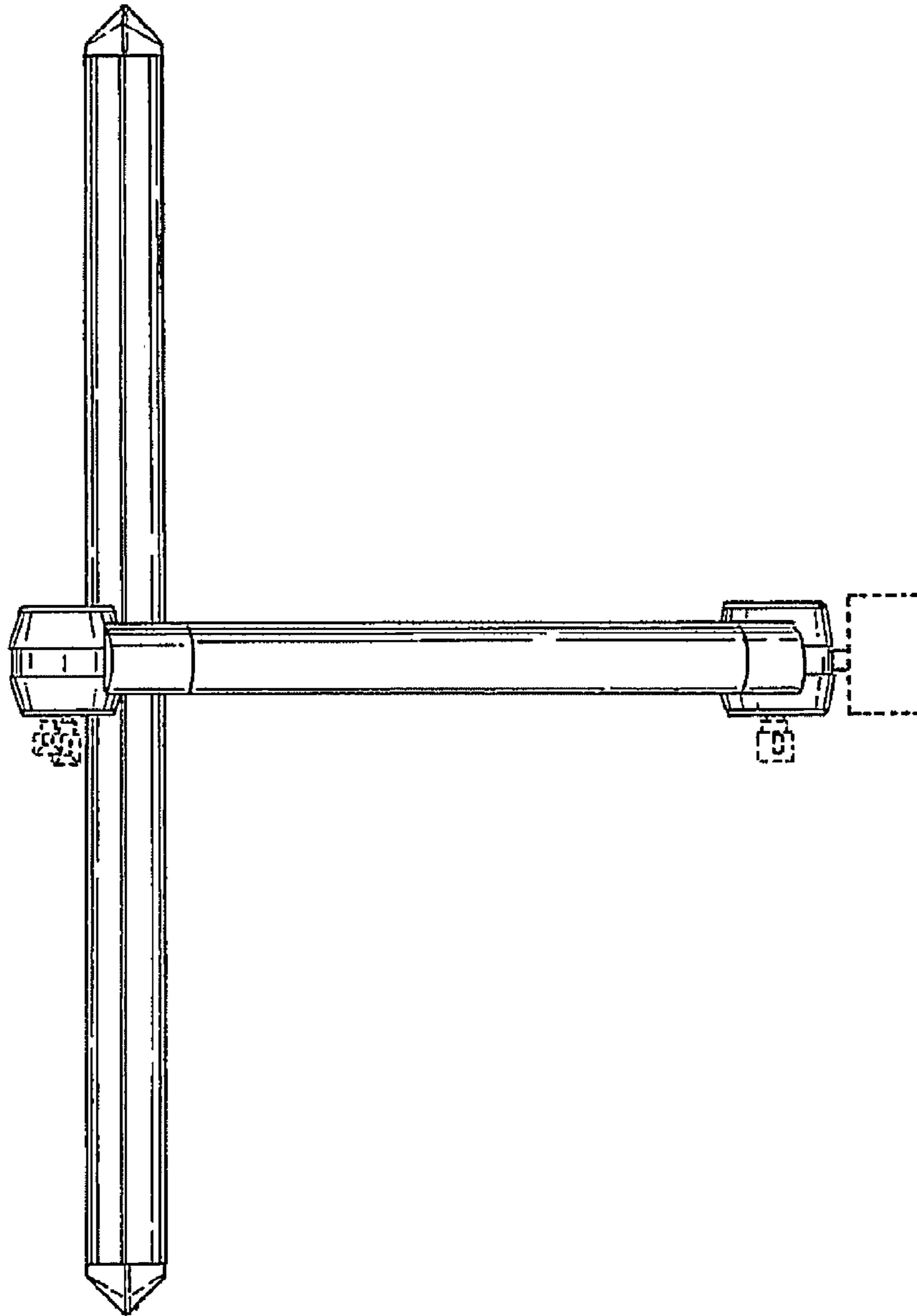


Fig. 21