



US00D716986S

(12) **United States Design Patent**
Ng

(10) **Patent No.:** **US D716,986 S**

(45) **Date of Patent:** **** Nov. 4, 2014**

(54) **LED LIGHT**

(71) Applicant: **Dr. LED (Holdings), Inc.**, Tortola (VG)

(72) Inventor: **James K Ng**, Seattle, WA (US)

(73) Assignee: **Dr. LED (Holdings), Inc.**, Tortola (VG)

(**) Term: **14 Years**

(21) Appl. No.: **29/466,423**

(22) Filed: **Sep. 7, 2013**

(51) **LOC (10) Cl.** **26-05**

(52) **U.S. Cl.**
USPC **D26/60**

(58) **Field of Classification Search**
USPC D26/24, 28, 29, 34–50, 60, 61, 63, 89,
D26/118; 362/157–159, 184, 185, 189, 190,
362/269, 285–289, 459–468, 473–477, 486
See application file for complete search history.

(56) **References Cited**

U.S. PATENT DOCUMENTS

D320,462 S *	10/1991	Williams et al.	D26/28
D329,505 S *	9/1992	Miller	D26/63
D523,573 S *	6/2006	Lee	D26/28
D529,205 S *	9/2006	Nagano	D26/28
D535,411 S *	1/2007	Lee	D26/28
D561,368 S *	2/2008	Opolka et al.	D26/61
D561,920 S *	2/2008	Ueda et al.	D26/28
D569,023 S *	5/2008	Lee	D26/60
D574,986 S *	8/2008	Kumthampinij et al.	D26/60
D578,691 S *	10/2008	Lau	D26/39
D582,085 S *	12/2008	Feinbloom et al.	D26/39
D597,237 S *	7/2009	Kumthampinij et al.	D26/61

D625,862 S *	10/2010	Fitch et al.	D26/39
D642,714 S *	8/2011	Chuah	D26/60
D646,818 S *	10/2011	Ueda et al.	D26/60
D656,644 S *	3/2012	Lee	D26/39
D663,453 S *	7/2012	Nagano	D26/28
D666,346 S *	8/2012	Gebhard et al.	D26/63
D675,758 S *	2/2013	Adams	D26/28
D676,162 S *	2/2013	Adams	D26/28
D678,564 S *	3/2013	Janssen	D26/28
D679,040 S *	3/2013	Cen et al.	D26/28
D683,489 S *	5/2013	Lee	D26/39
D697,244 S *	1/2014	McKechnie et al.	D26/60

* cited by examiner

Primary Examiner — Garth Rademaker

Assistant Examiner — Llorellys Martinez-Rivera

(74) *Attorney, Agent, or Firm* — Jeffrey Pearce

(57) **CLAIM**

The ornamental design for an LED light, as shown and described.

DESCRIPTION

FIG. 1 is a front, top, left side perspective view of an LED light showing my new design.

FIG. 2 is a left side view of the LED light.

FIG. 3 is a right side view of the LED light.

FIG. 4 is a rear view of the LED light.

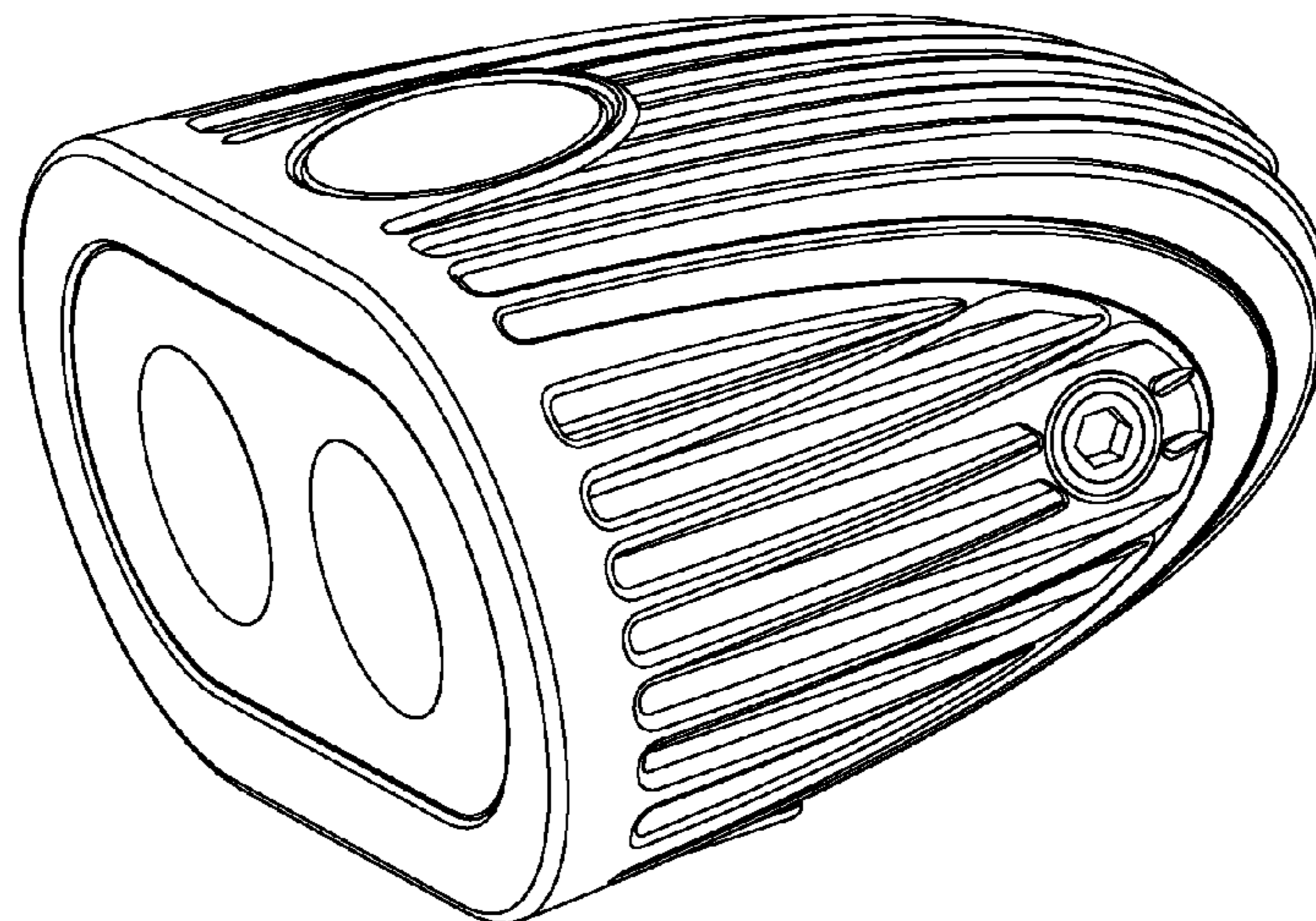
FIG. 5 is a front view of the LED light.

FIG. 6 is a top view of the LED light; and,

FIG. 7 is a bottom view of the LED light.

The broken line portions of FIG. 4 and FIG. 7 are included to show portions of the LED light that form no part of the claimed design.

1 Claim, 4 Drawing Sheets



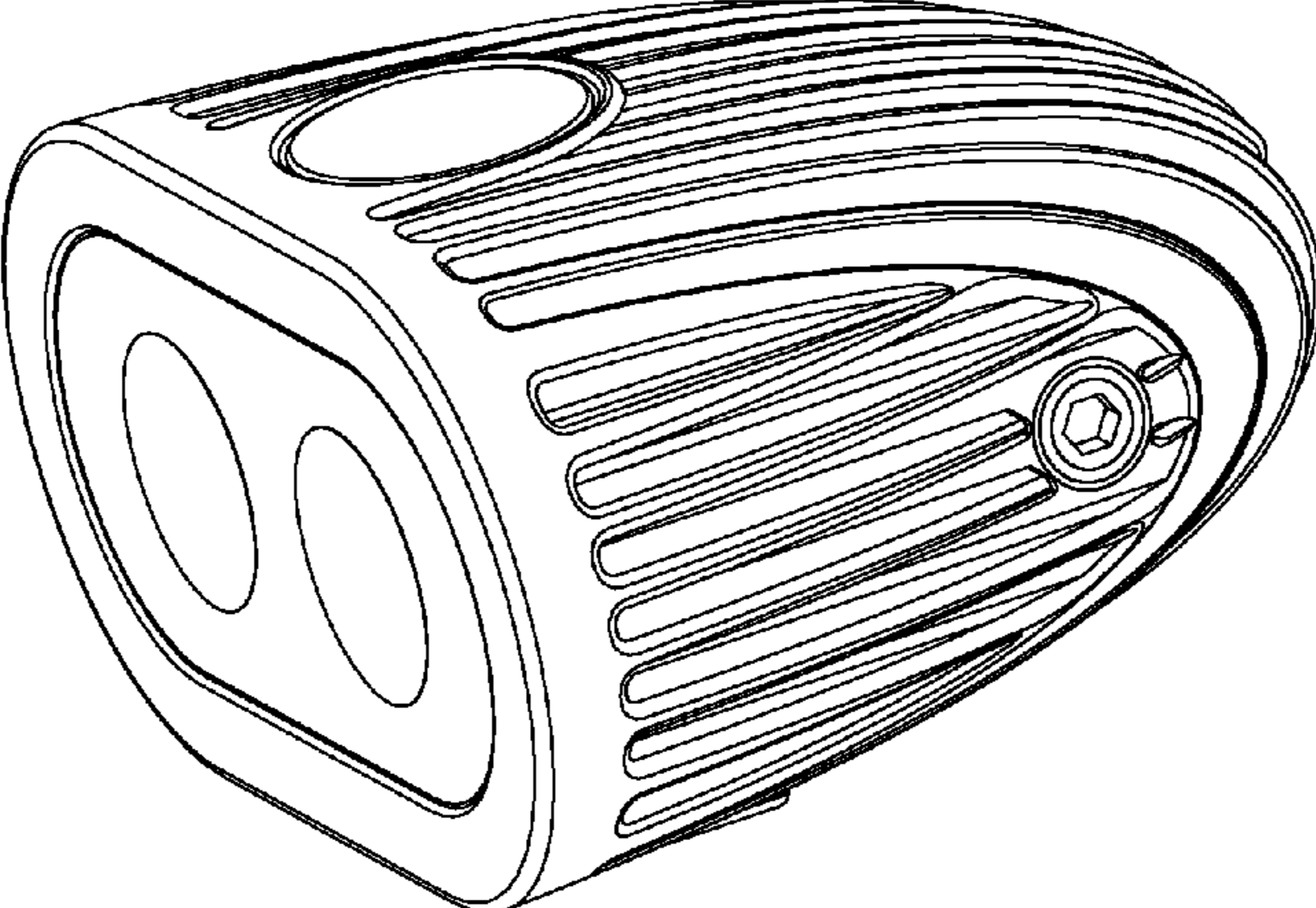


Fig. 1

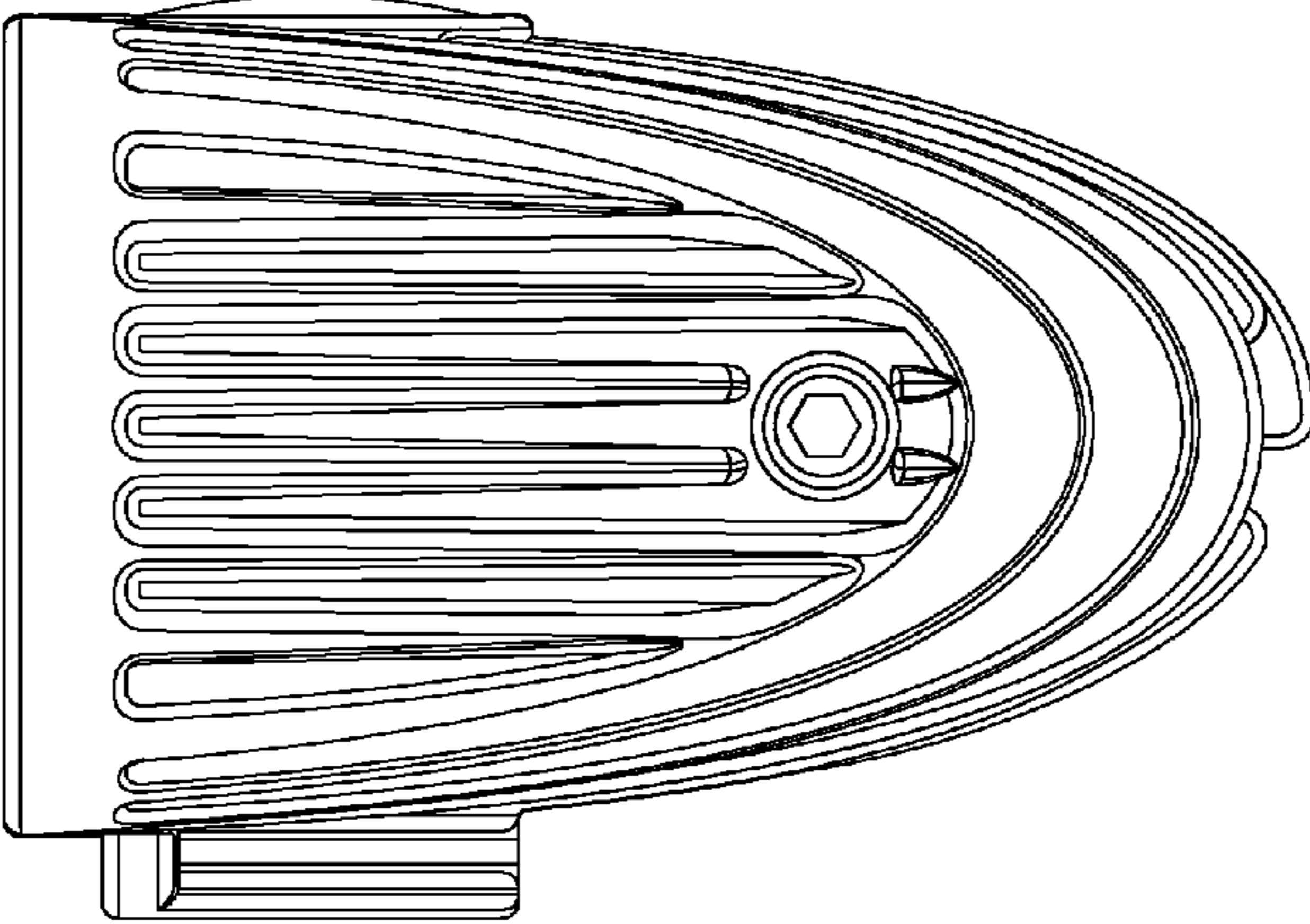


Fig. 2

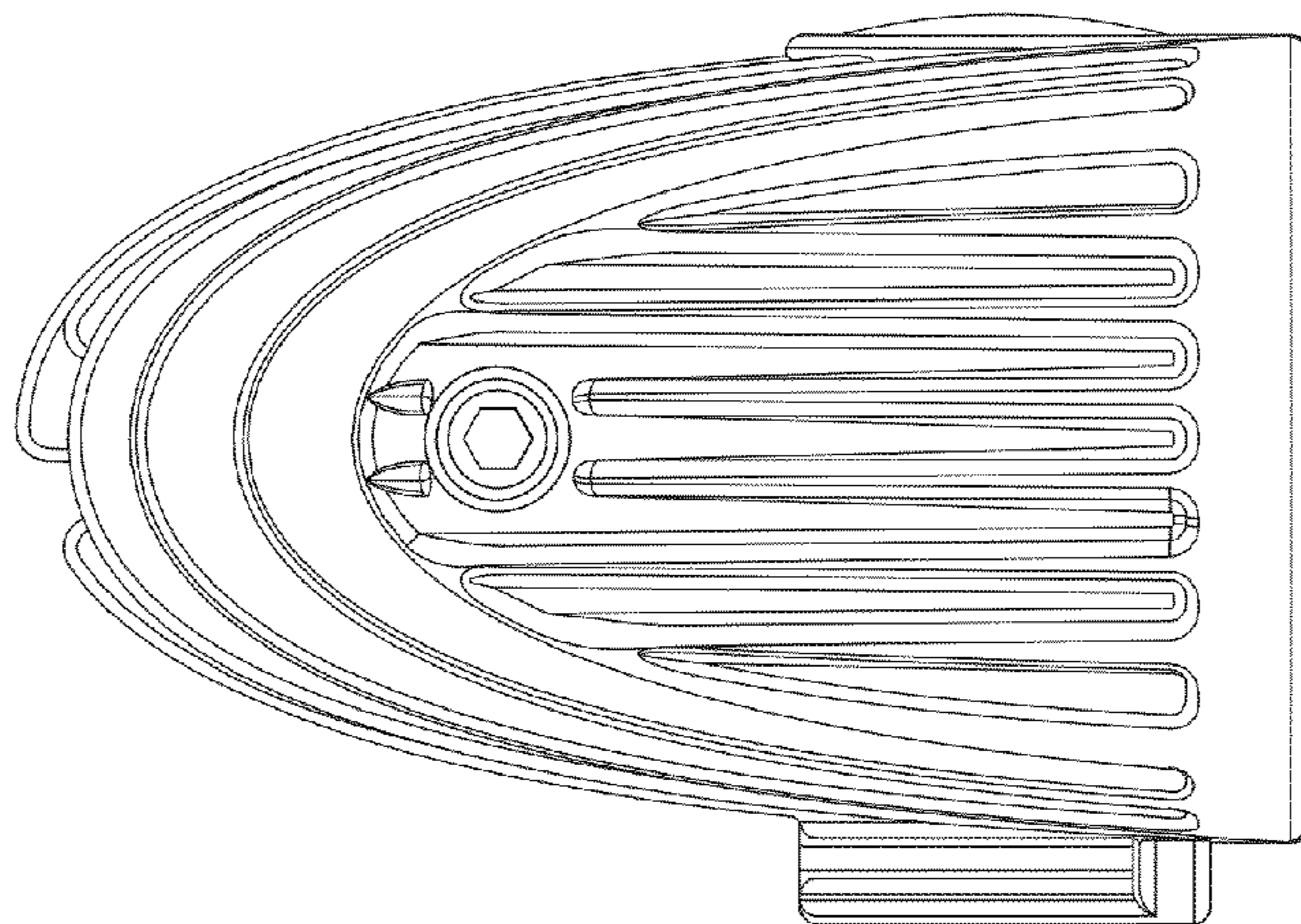


Fig. 3

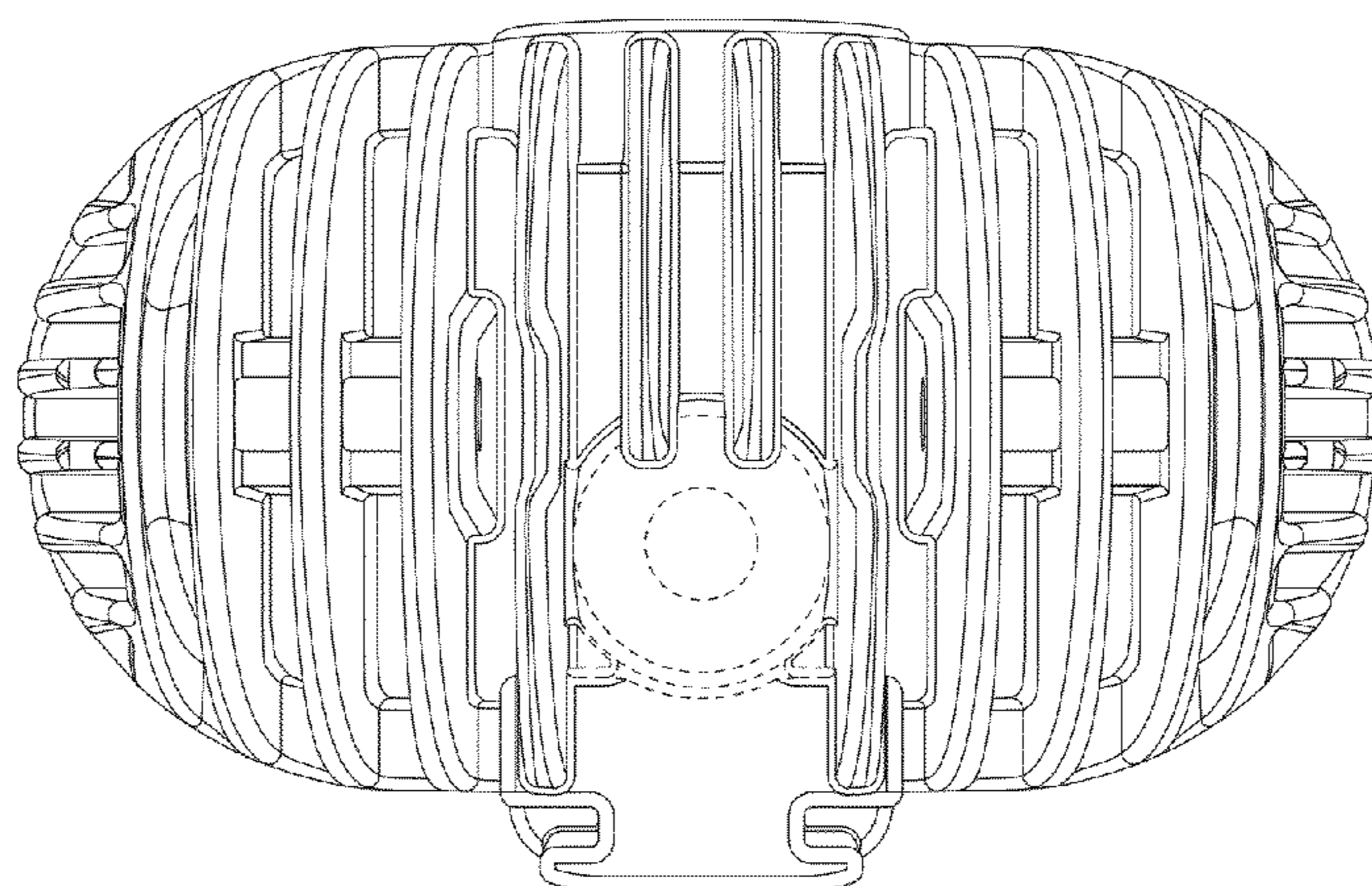


Fig. 4

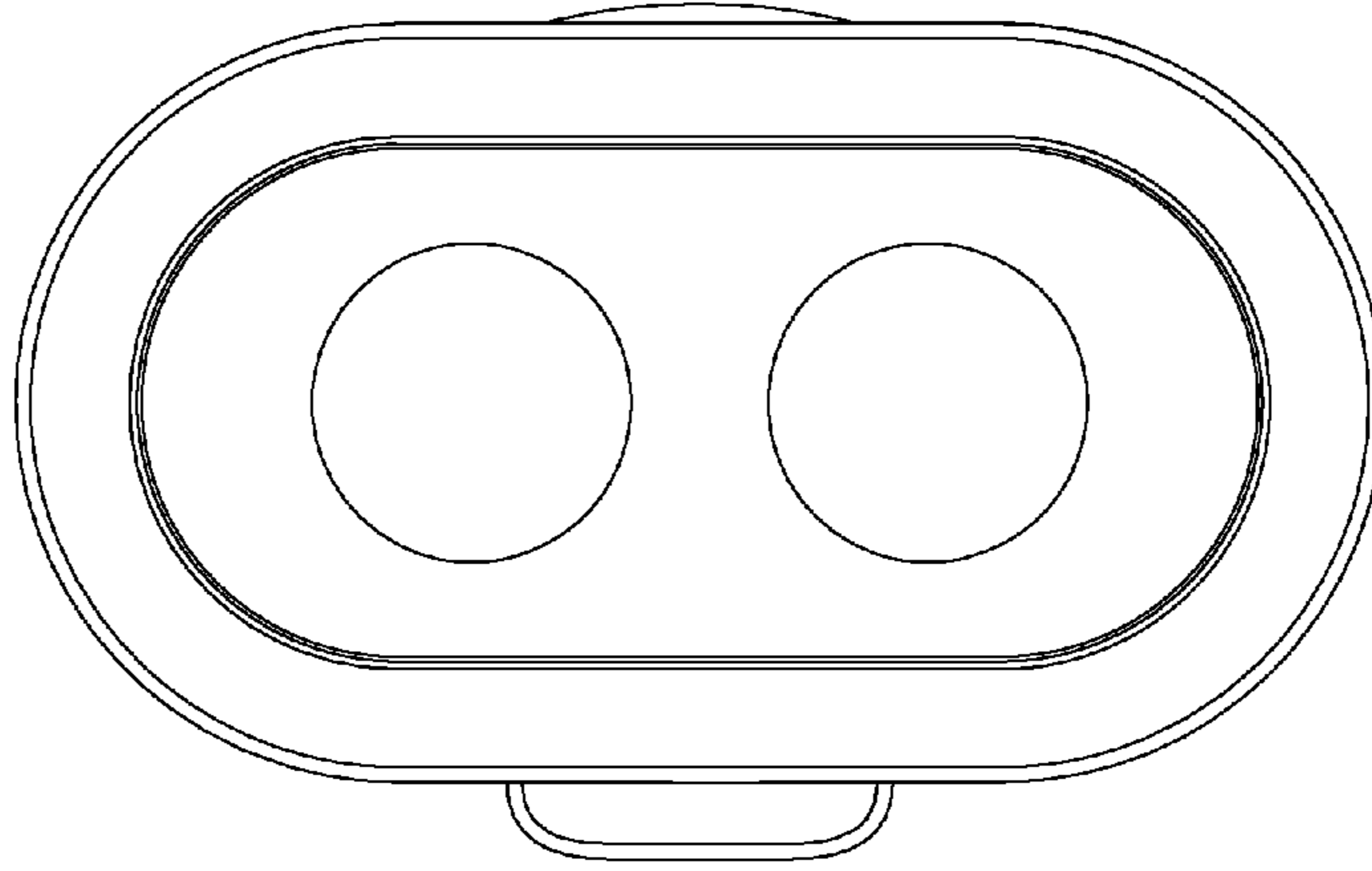


Fig. 5

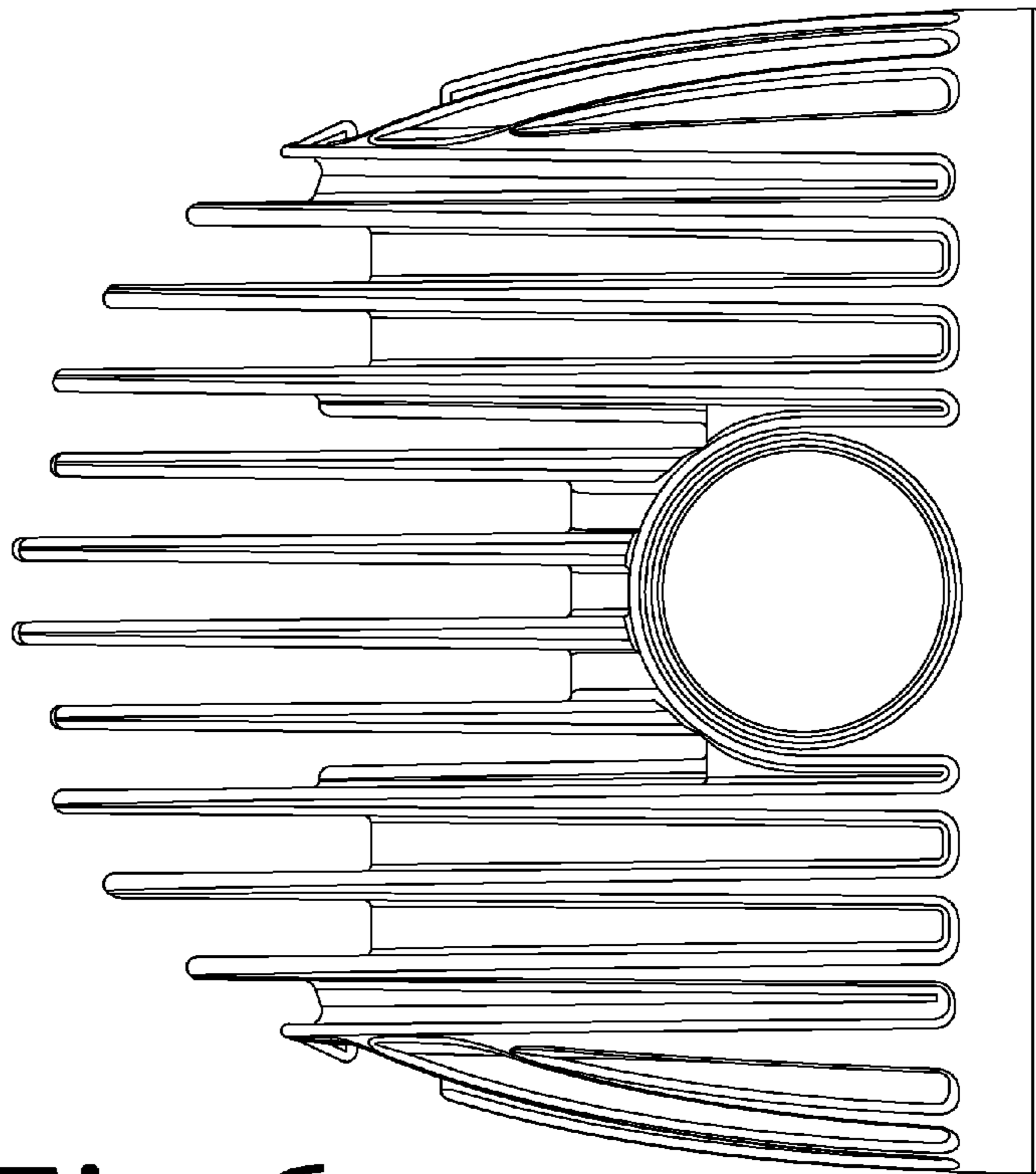


Fig. 6

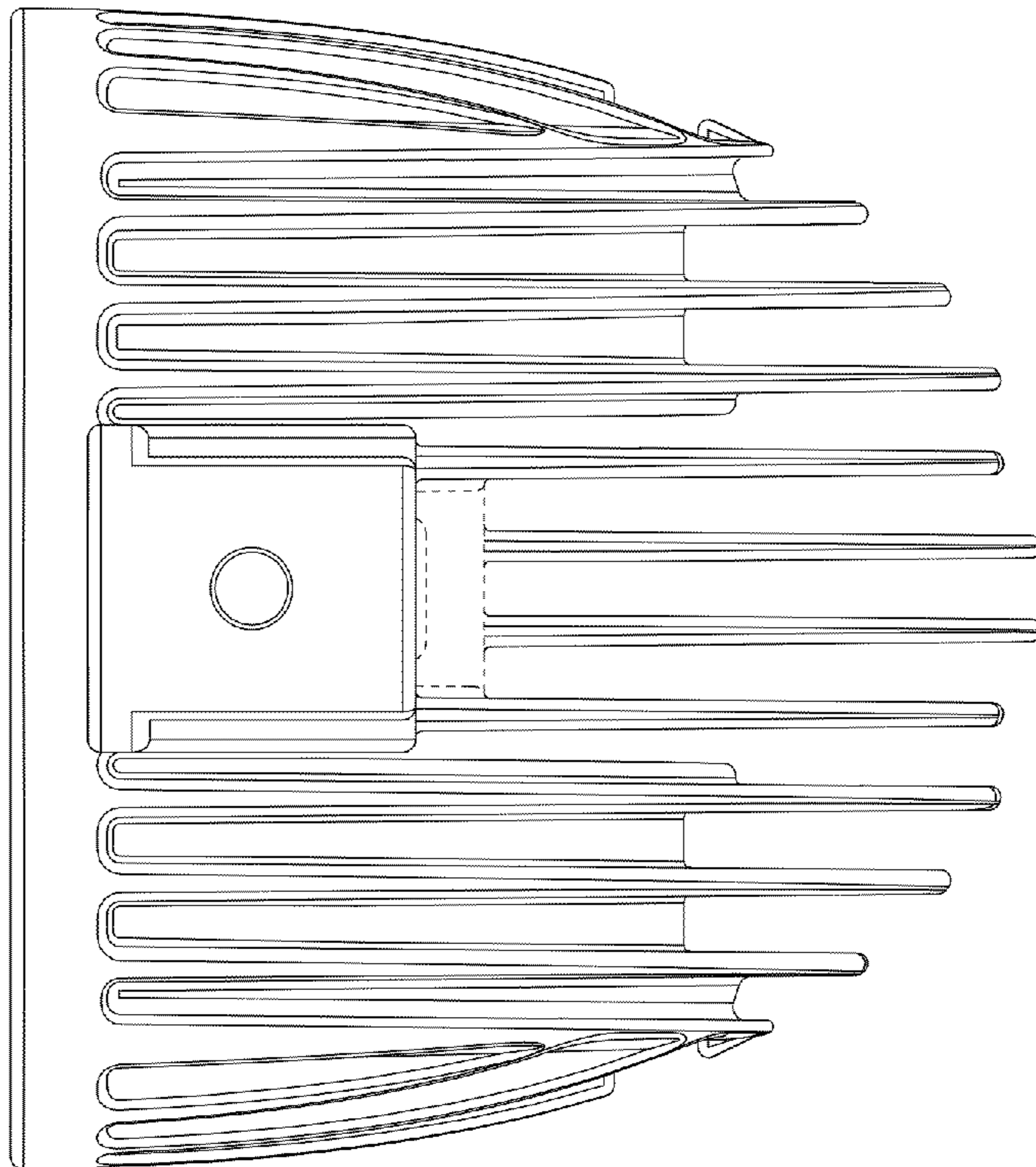


Fig. 7