



US00D716985S

(12) **United States Design Patent**
Jones et al.

(10) **Patent No.:** **US D716,985 S**
(45) **Date of Patent:** **** Nov. 4, 2014**

(54) **ILLUMINATOR**

(71) Applicant: **Robert Bosch GmbH**, Stuttgart (DE)

(72) Inventors: **Theodore L. Jones**, Akron, PA (US);
Andrew A. Marszalek, III, New
Cumberland, PA (US)

(73) Assignee: **Robert Bosch GmbH**, Stuttgart (DE)

(**) Term: **14 Years**

(21) Appl. No.: **29/460,639**

(22) Filed: **Jul. 12, 2013**

(51) **LOC (10) Cl.** **26-05**

(52) **U.S. Cl.**
USPC **D26/51; D16/208**

(58) **Field of Classification Search**
CPC G03B 17/02; G03B 19/04; G03B 17/56;
G03B 17/04; G03B 15/03; G08B 13/1963;
G08B 13/19619; G08B 13/19632; B62J 6/02;
F16M 11/04; F16M 13/00; B60Q 1/0683;
B60Q 1/0686

USPC D26/26, 27, 28, 34, 35, 36, 51, 52;
D16/200, 202-208, 219; 362/459-464,
362/475-476, 485-487; 396/539-541
See application file for complete search history.

(56) **References Cited**

U.S. PATENT DOCUMENTS

D230,189 S * 1/1974 Dietz et al. D26/26
D372,995 S * 8/1996 Huang D26/28
D436,192 S * 1/2001 Hussaini et al. D26/28
D574,978 S * 8/2008 Hyodo et al. D26/28
D576,651 S * 9/2008 Willis et al. D16/208
D576,653 S * 9/2008 Malthouse D16/208

D610,725 S * 2/2010 Georgitsis et al. D26/28
D649,175 S * 11/2011 Willis D16/242
D679,308 S * 4/2013 Park et al. D16/203
8,408,764 B2 * 4/2013 Chung et al. 362/487
D697,241 S * 1/2014 Chen D26/28
D704,365 S * 5/2014 Adams D26/28
2003/0117809 A1 * 6/2003 Jong 362/487

OTHER PUBLICATIONS

MIC Series 550 Camera, Product Fact Sheet, Bosch Security, Apr. 26,
2013, Retrieved from Internet <URL: http://stna.resource.bosch.com/documents/MIC_Series_550_Data_sheet_enUS_18014400835618955.pdf> 8 pages.

(Continued)

Primary Examiner — Adir Aronovich

Assistant Examiner — Ramzi Almatrahi

(74) *Attorney, Agent, or Firm* — Michael Best & Friedrich
LLP

(57) **CLAIM**

The ornamental design for an illuminator, as shown and
described.

DESCRIPTION

FIG. 1 is a perspective view of an illuminator showing our
new design.

FIG. 2 is a front view of the illuminator shown in FIG. 1.

FIG. 3 is a left side view of the illuminator shown in FIG. 1.

FIG. 4 is a right side view of the illuminator shown in FIG. 1.

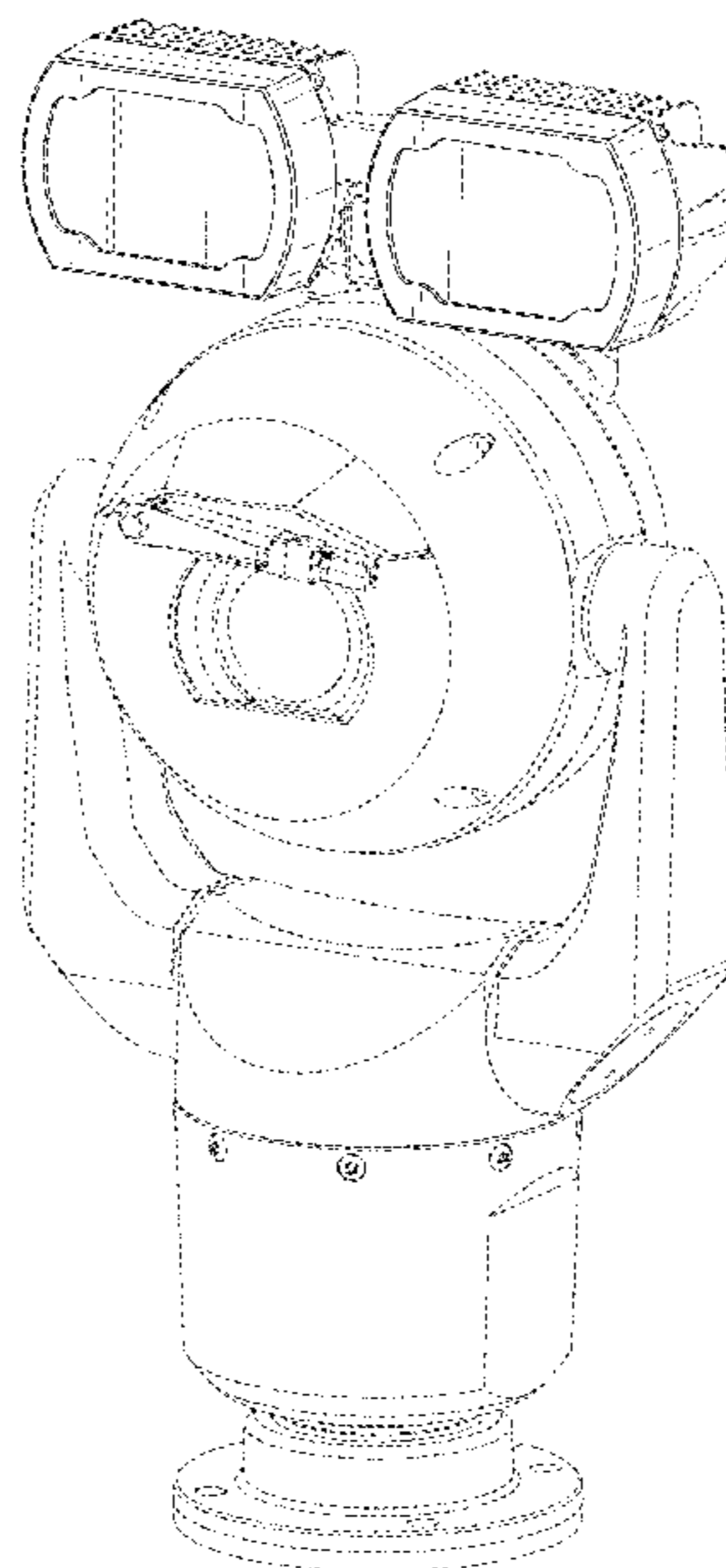
FIG. 5 is a rear view of the illuminator shown in FIG. 1.

FIG. 6 is a top view of the illuminator shown in FIG. 1; and,

FIG. 7 is a bottom view of the illuminator shown in FIG. 1.

The broken lines in the drawing are included for the purpose
of illustrating environmental subject matter and form no part
of the claimed design.

1 Claim, 7 Drawing Sheets



(56)

References Cited

OTHER PUBLICATIONS

MIC Series 400 Stainless Steel Camera, Product Fact Sheet, Bosch Security, Apr. 26, 2013, Retrieved from Internet <URL: http://stna.resource.bosch.com/documents/MIC_400_Series_Data_sheet_enUS_2307654283.pdf> 5 pages.

MIC Series 412TI Thermal Camera, Product Fact Sheet, Bosch Security, Jun. 11, 2012, Retrieved from Internet <URL: http://stna.resource.bosch.com/documents/Data_sheet_enUS_2317502987.pdf> 6 pages.

MIC Series 440 Explosion-Protected Camera, Product Fact Sheet, Bosch Security, May 13, 2013, Retrieved from Internet <URL: http://stna.resource.bosch.com/documents/MIC_Series_440_Data_sheet_enUS_2322412683.pdf> 6 pages.

MIC Series 550 Infrared Camera, Product Fact Sheet, Bosch Security, Apr. 26, 2013, Retrieved from Internet <URL: http://stna.resource.bosch.com/documents/MIC_Series_550_IR_Data_sheet_enUS_18014400835923979.pdf> 8 pages.

MIC Series 612 Thermal Camera, Product Fact Sheet, Bosch Security, Jun. 21, 2013, Retrieved from Internet <URL: http://stna.resource.bosch.com/documents/MIC_Series_612_Data_sheet_enUS_7880732043.pdf> 9 pages.

* cited by examiner

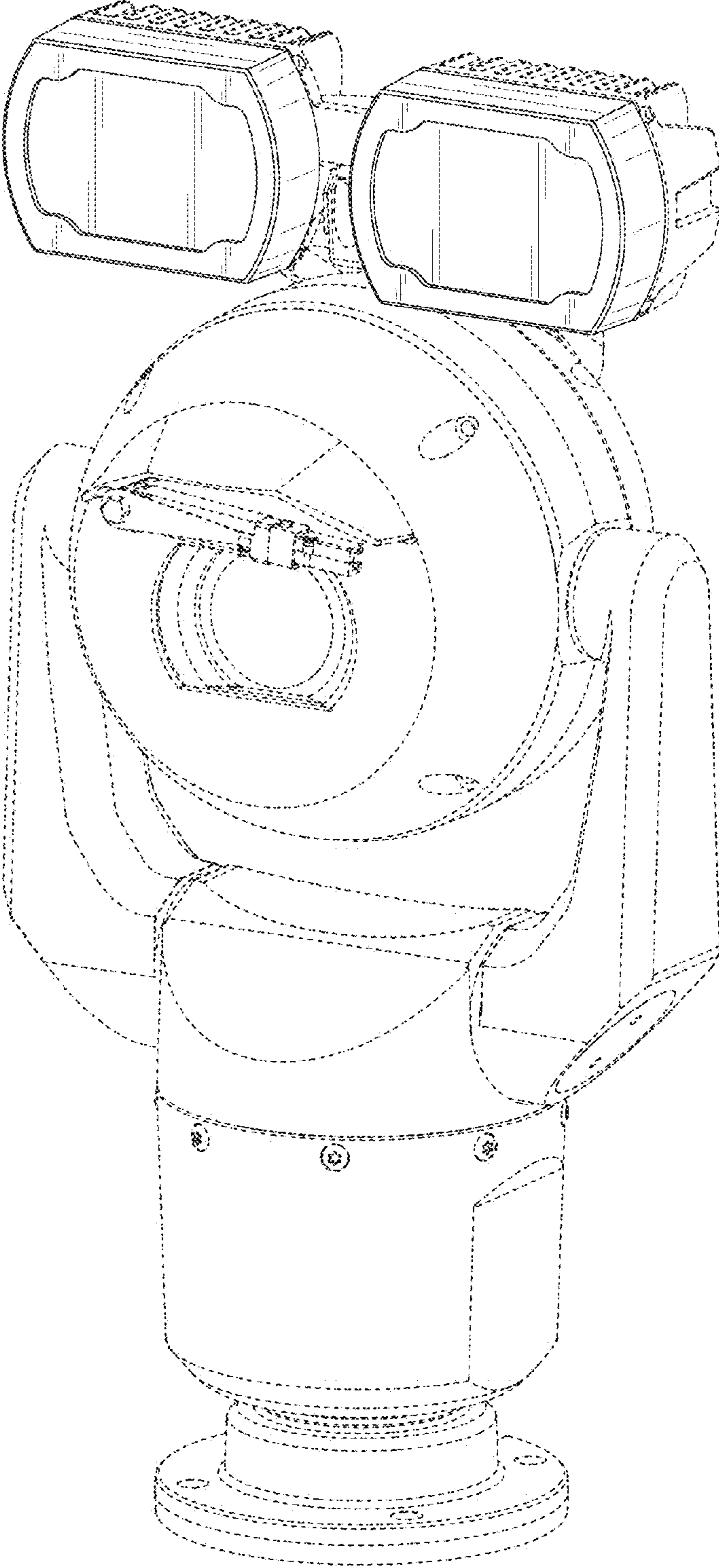


FIG. 1

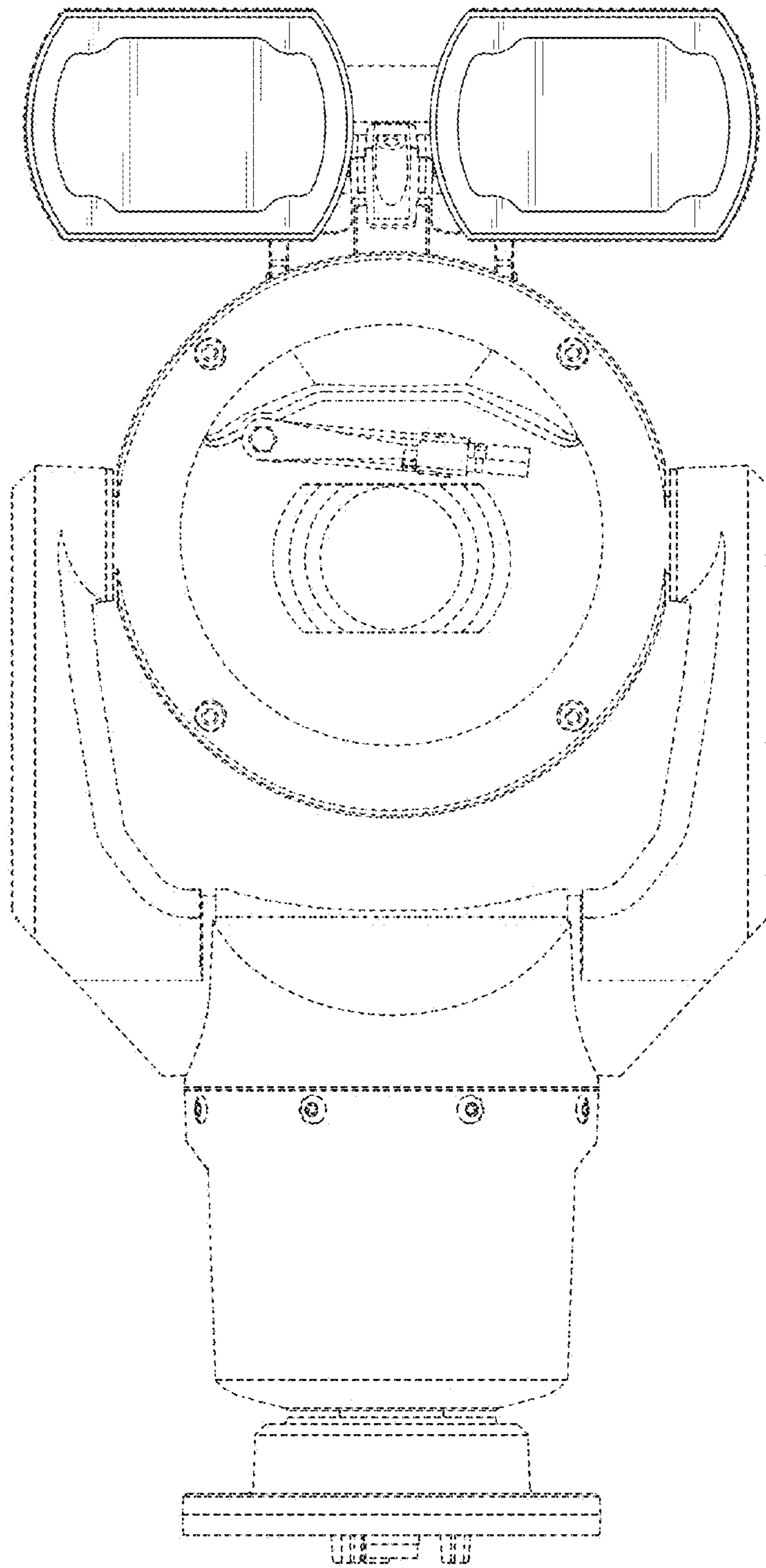


FIG. 2

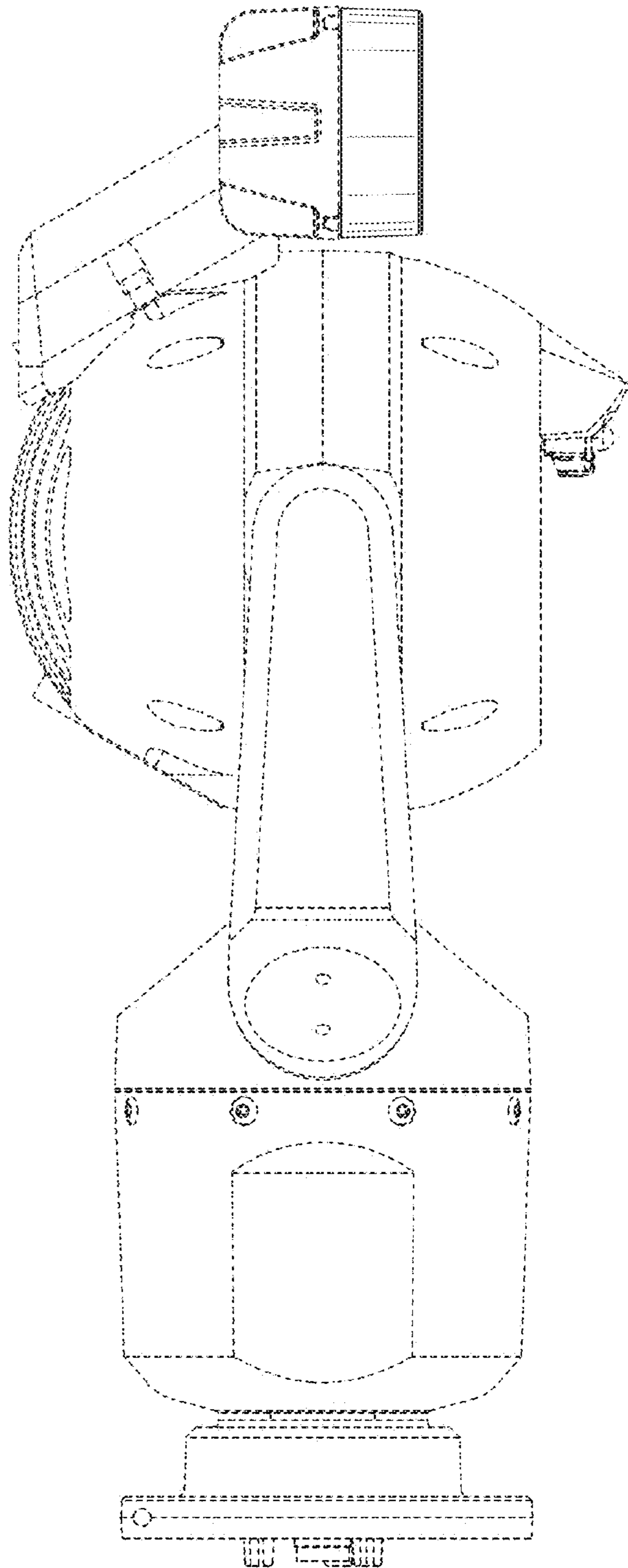


FIG. 3

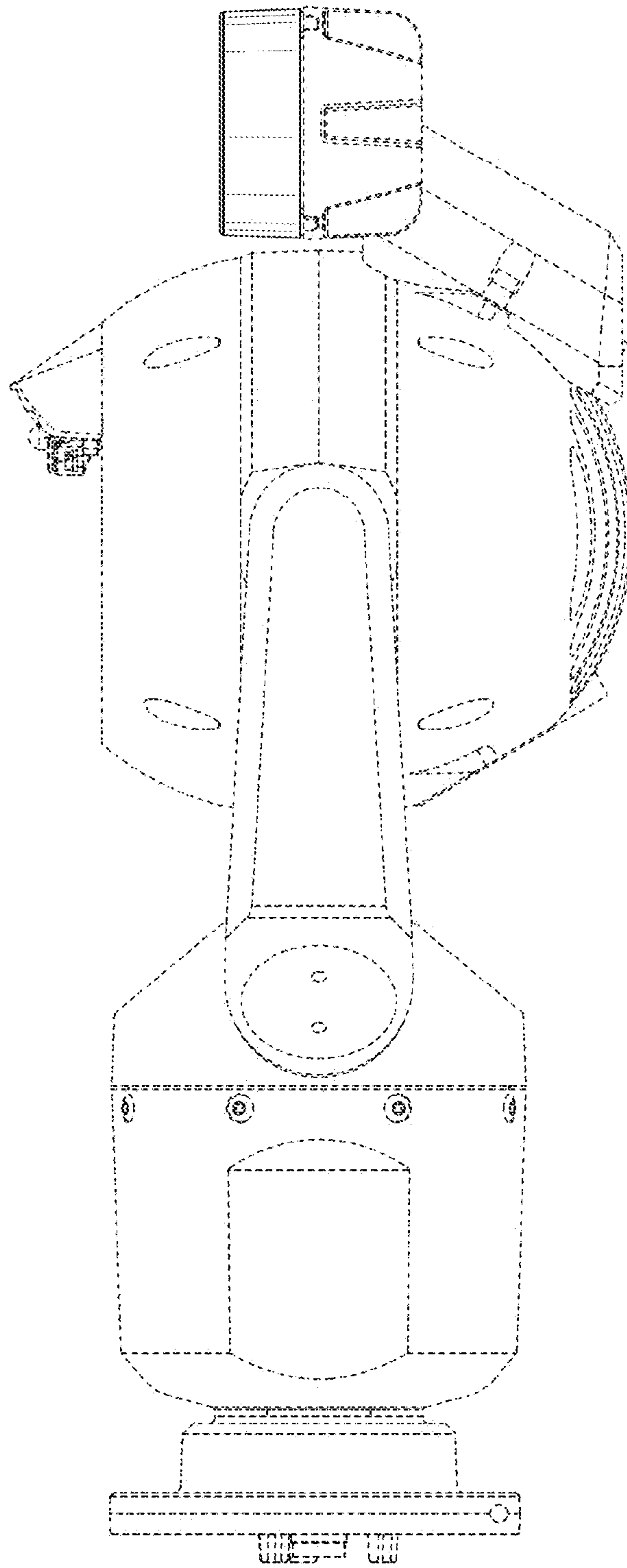


FIG. 4

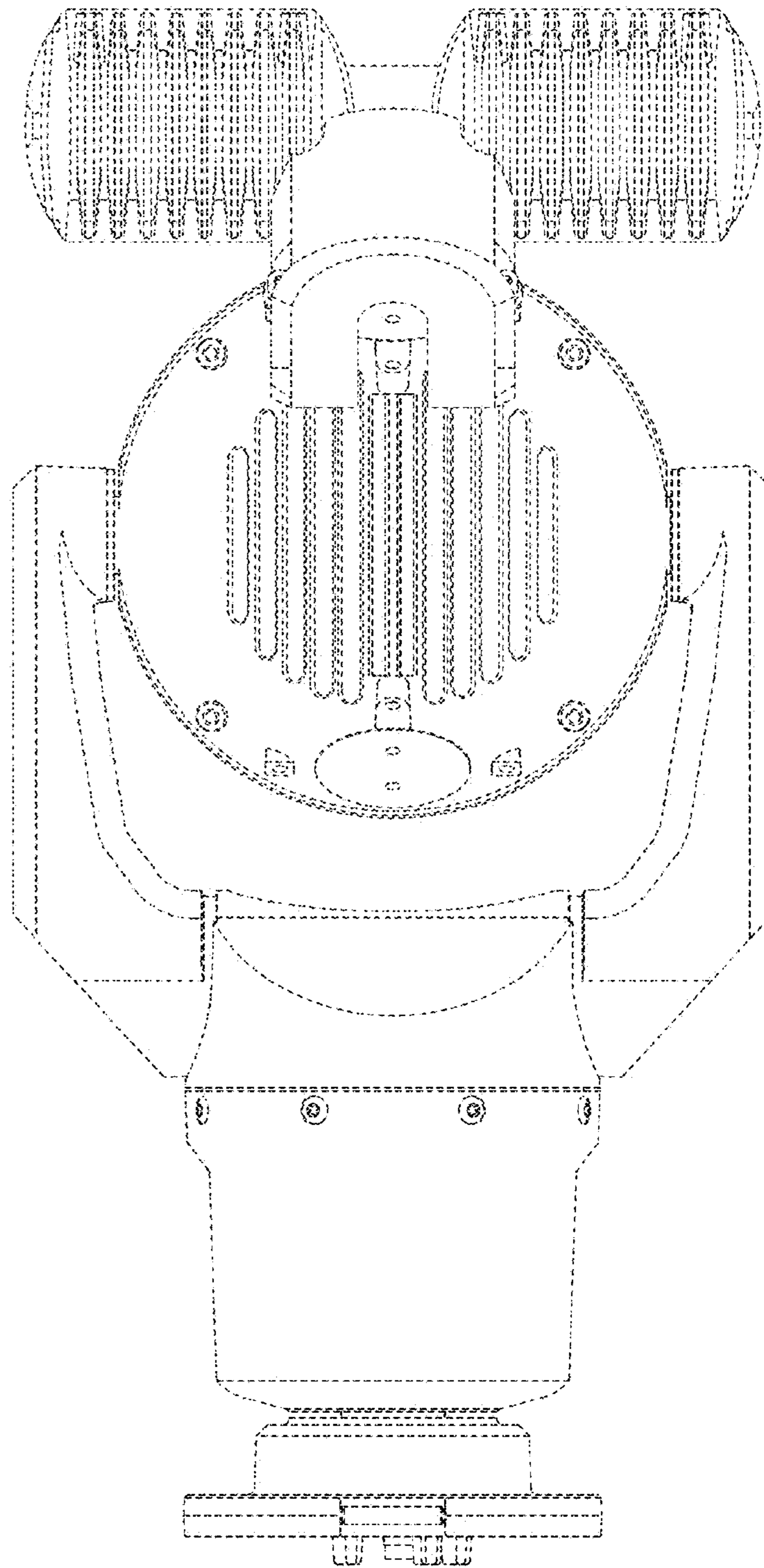


FIG. 5

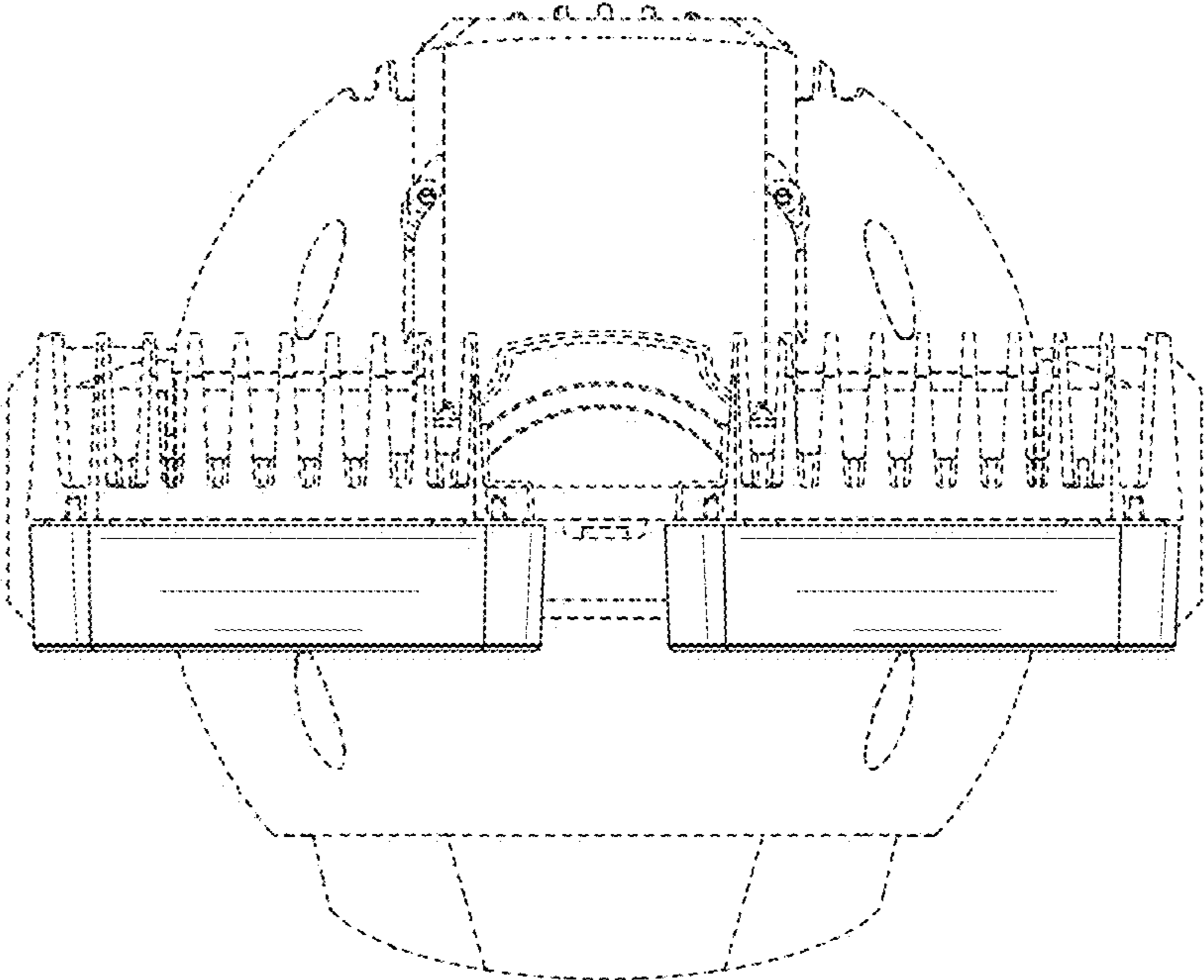


FIG. 6

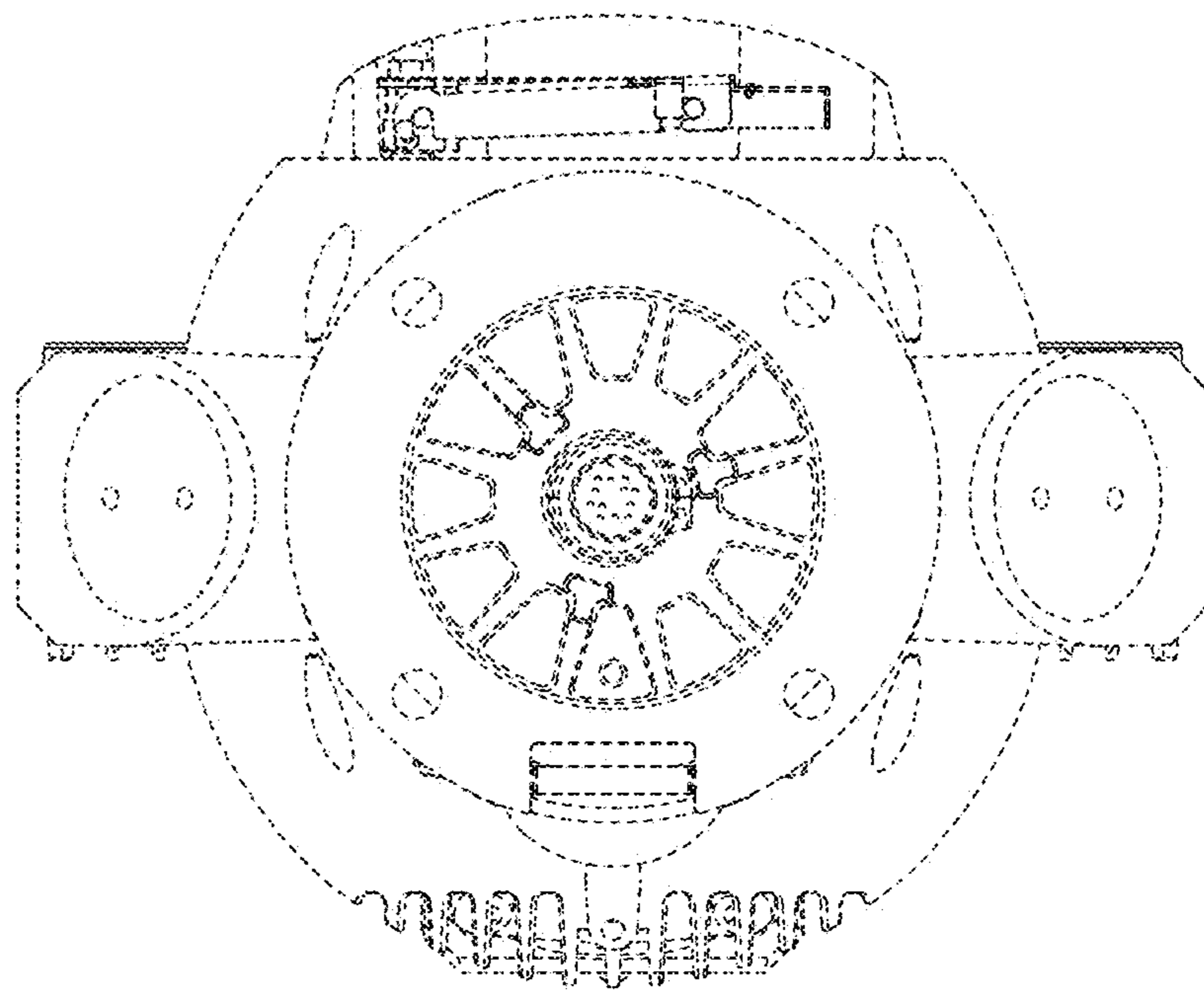


FIG. 7

UNITED STATES PATENT AND TRADEMARK OFFICE
CERTIFICATE OF CORRECTION

PATENT NO. : D716,985 S
APPLICATION NO. : 29/460639
DATED : November 4, 2014
INVENTOR(S) : Theodore L. Jones et al.

Page 1 of 9

It is certified that error appears in the above-identified patent and that said Letters Patent is hereby corrected as shown below:

Delete title page and substitute the attached title page therefor.

In the Drawings

Delete drawing sheets 1-7 and substitute the attached drawing sheets 1-7 therefor.

Signed and Sealed this
Ninth Day of June, 2015



Michelle K. Lee
Director of the United States Patent and Trademark Office

(12) **United States Design Patent** (10) **Patent No.:** **US D716,985 S**
Jones et al. (45) **Date of Patent:** **** Nov. 4, 2014**

(54) **ILLUMINATOR**
 (71) **Applicant:** **Robert Bosch GmbH, Stuttgart (DE)**
 (72) **Inventors:** **Theodore L. Jones, Akron, PA (US);**
Andrew A. Marszalek, III, New
Cumberland, PA (US)
 (73) **Assignee:** **Robert Bosch GmbH, Stuttgart (DE)**
 (**) **Term:** **14 Years**
 (21) **Appl. No.:** **29/460,639**
 (22) **Filed:** **Jul. 12, 2013**
 (51) **LOC (10) Cl.** **26-05**
 (52) **U.S. Cl.**
USPC **D26/51; D16/208**
 (58) **Field of Classification Search**
CPC **G03B 17/02; G03B 19/04; G03B 17/56;**
G03B 17/04; G03B 15/03; G08B 13/1963;
G08B 13/19619; G08B 13/19632; B62J 6/02;
F16M 11/04; F16M 13/00; B60Q 1/0683;
B60Q 1/0686
USPC **D26/26, 27, 28, 34, 35, 36, 51, 52;**
D16/200, 202-208, 219; 362/459-464,
362/475-476, 485-487; 396/539-541
 See application file for complete search history.

D610,725 S * 2/2010 Georgitsis et al. D26/28
 D649,175 S * 11/2011 Willis D16/242
 D679,308 S * 4/2013 Park et al. D16/203
 8,408,764 B2* 4/2013 Chung et al. 362/487
 D697,241 S * 1/2014 Chen D26/28
 D704,365 S * 5/2014 Adams D26/28
 2003/0117809 A1* 6/2003 Jong 362/487

OTHER PUBLICATIONS

MICSeries 550 Camera, Product Fact Sheet, Bosch Security, Apr. 26, 2013, Retrieved from Internet <URL: http://stna.resource.bosch.com/documents/MIC_Series_550_Data_sheet_enUS_18014400835618955.pdf> 8 pages.

(Continued)

Primary Examiner — Adir Aronovich
Assistant Examiner — Ramzi Almatrahi
 (74) *Attorney, Agent, or Firm* — Michael Best & Friedrich LLP

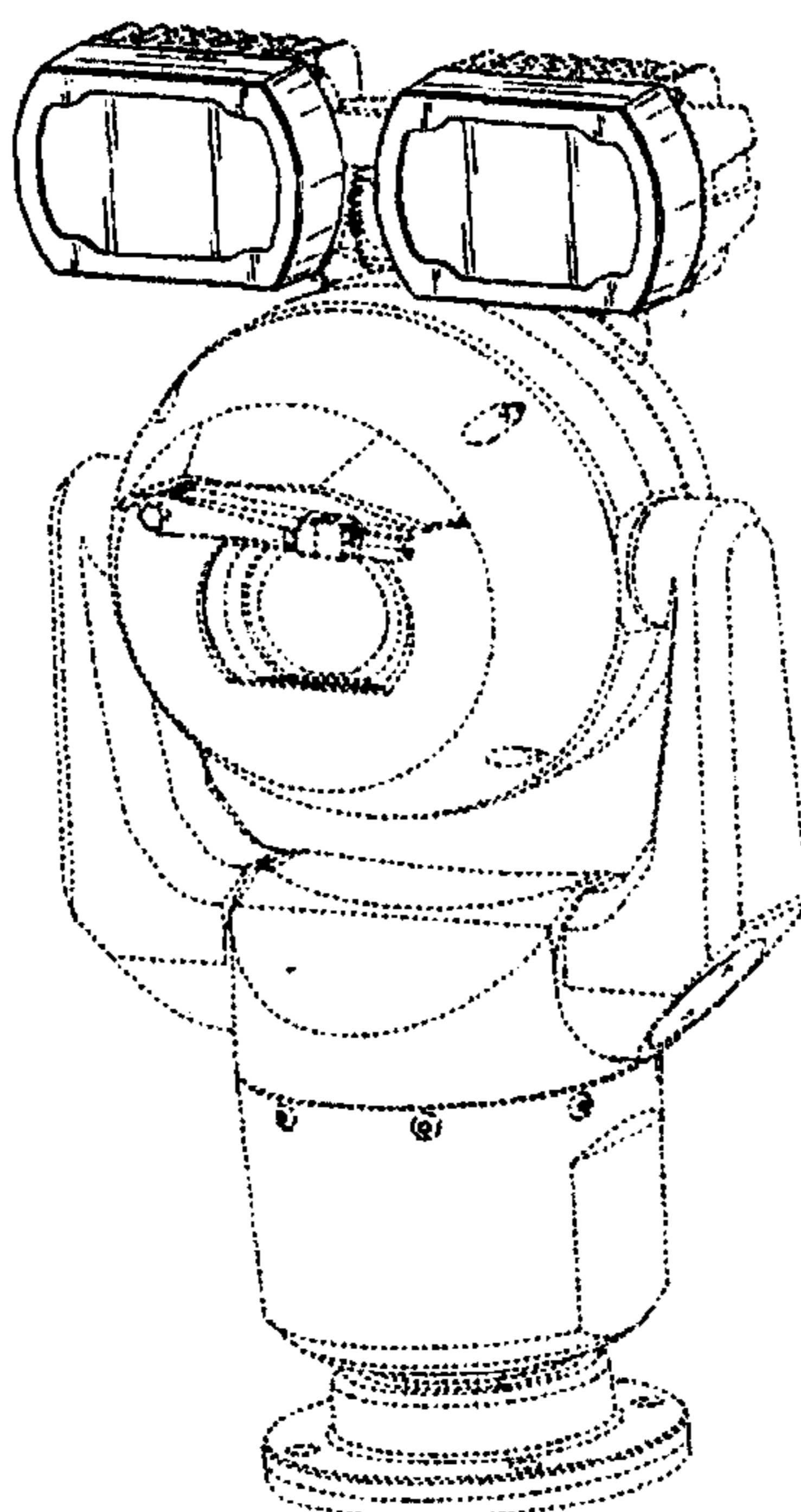
(57) **CLAIM**
 The ornamental design for an illuminator, as shown and described.

DESCRIPTION

FIG. 1 is a perspective view of an illuminator showing our new design.
 FIG. 2 is a front view of the illuminator shown in FIG. 1.
 FIG. 3 is a left side view of the illuminator shown in FIG. 1.
 FIG. 4 is a right side view of the illuminator shown in FIG. 1.
 FIG. 5 is a rear view of the illuminator shown in FIG. 1.
 FIG. 6 is a top view of the illuminator shown in FIG. 1; and,
 FIG. 7 is a bottom view of the illuminator shown in FIG. 1.
 The broken lines in the drawing are included for the purpose of illustrating environmental subject matter and form no part of the claimed design.

1 Claim, 7 Drawing Sheets

(56) **References Cited**
U.S. PATENT DOCUMENTS
 D230,189 S * 1/1974 Dietz et al. D26/26
 D372,995 S * 8/1996 Huang D26/28
 D436,192 S * 1/2001 Hussaini et al. D26/28
 D574,978 S * 8/2008 Hyodo et al. D26/28
 D576,651 S * 9/2008 Willis et al. D16/208
 D576,653 S * 9/2008 Malthouse D16/208



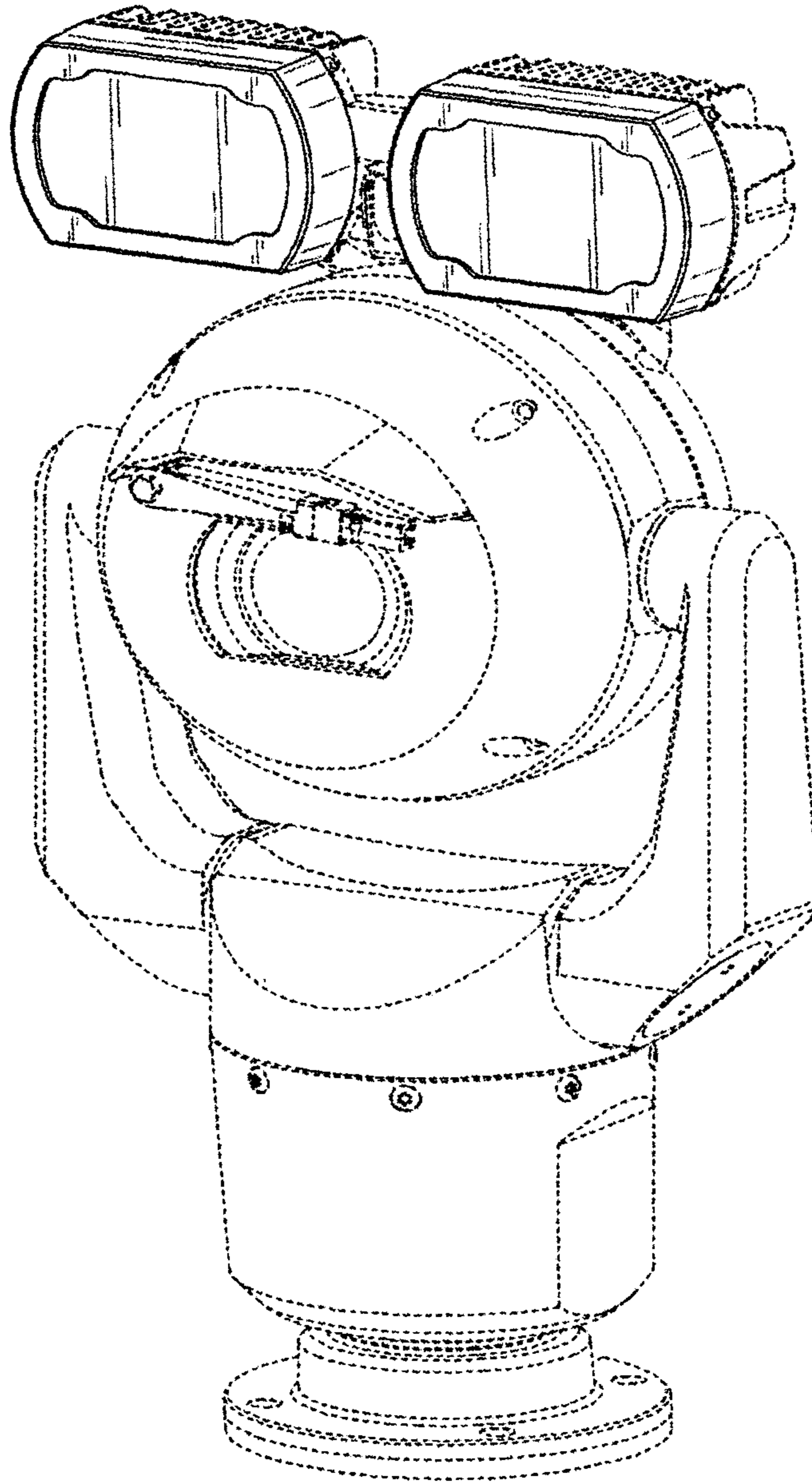


FIG. 1

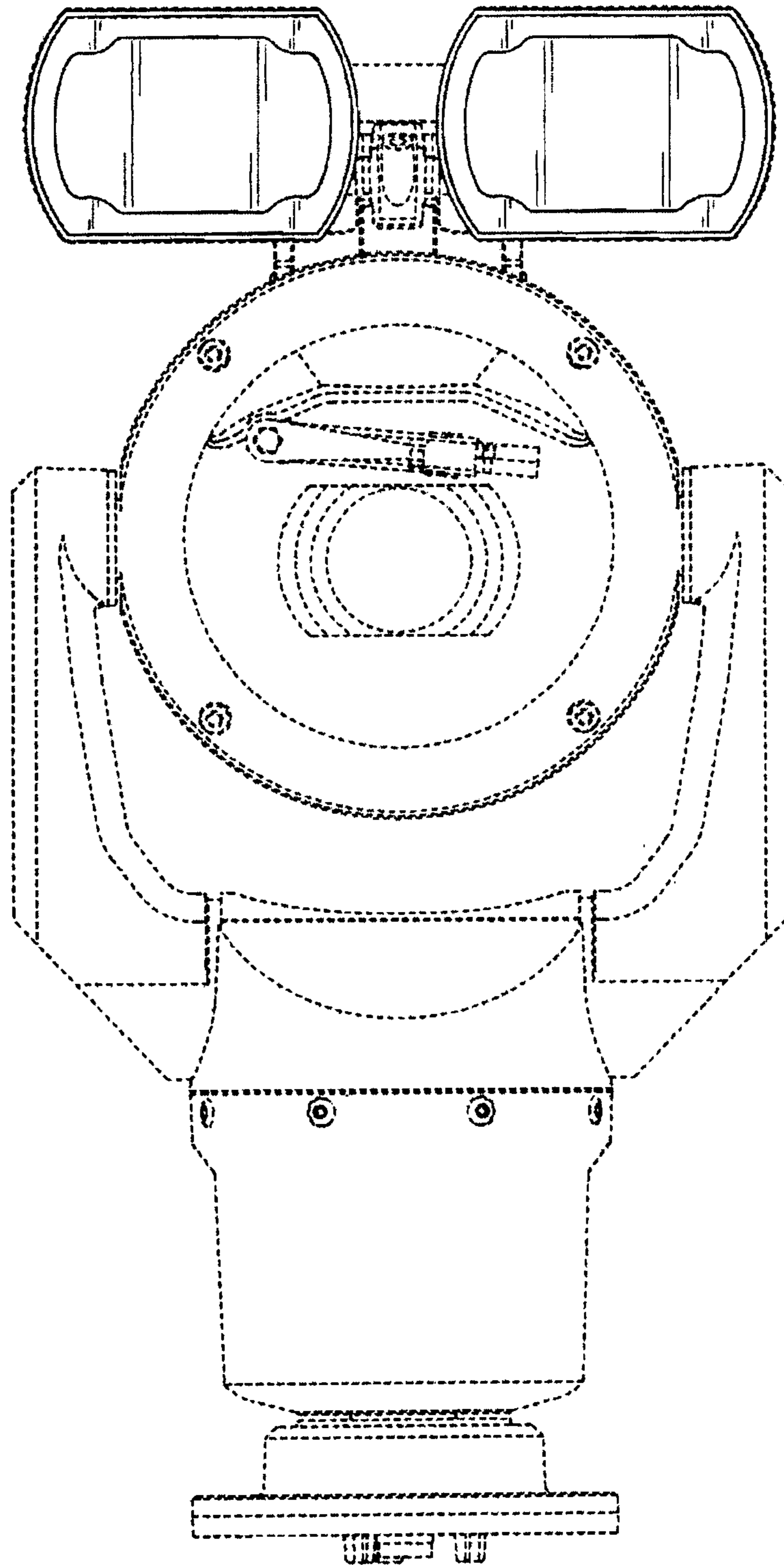


FIG. 2

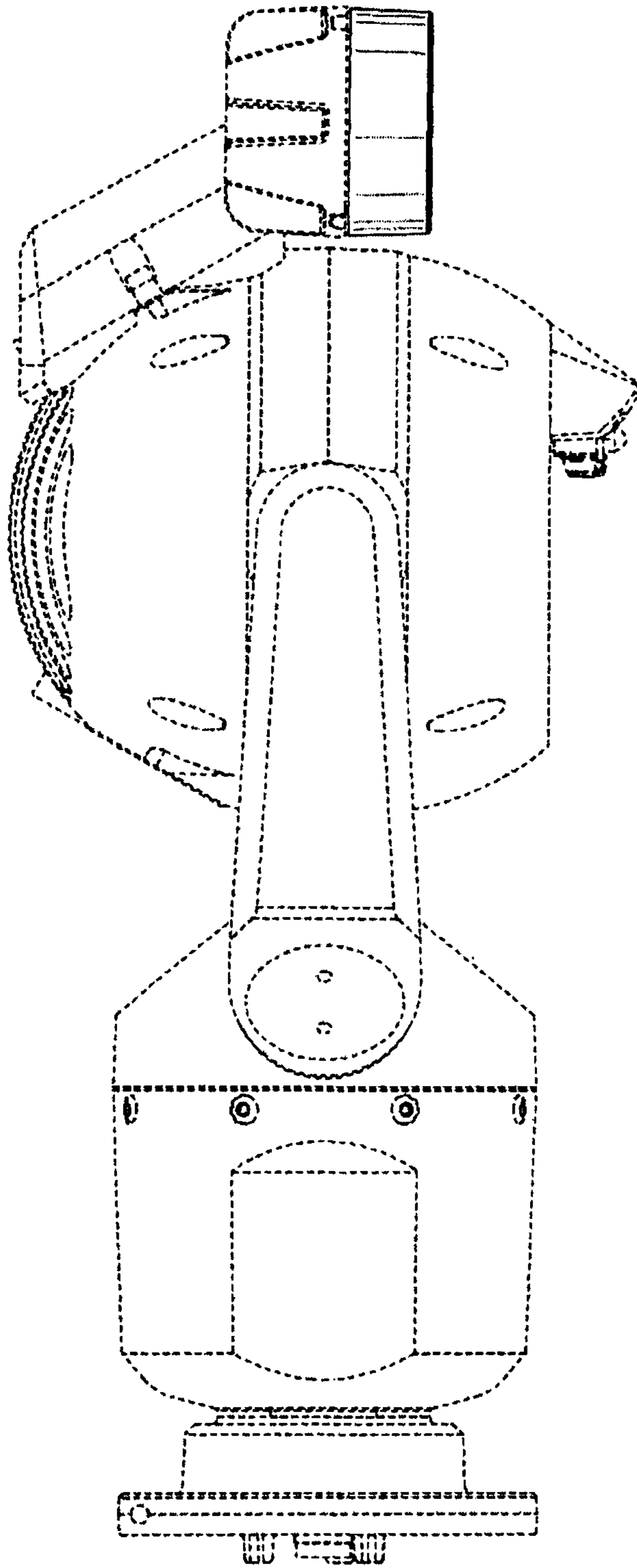


FIG. 3

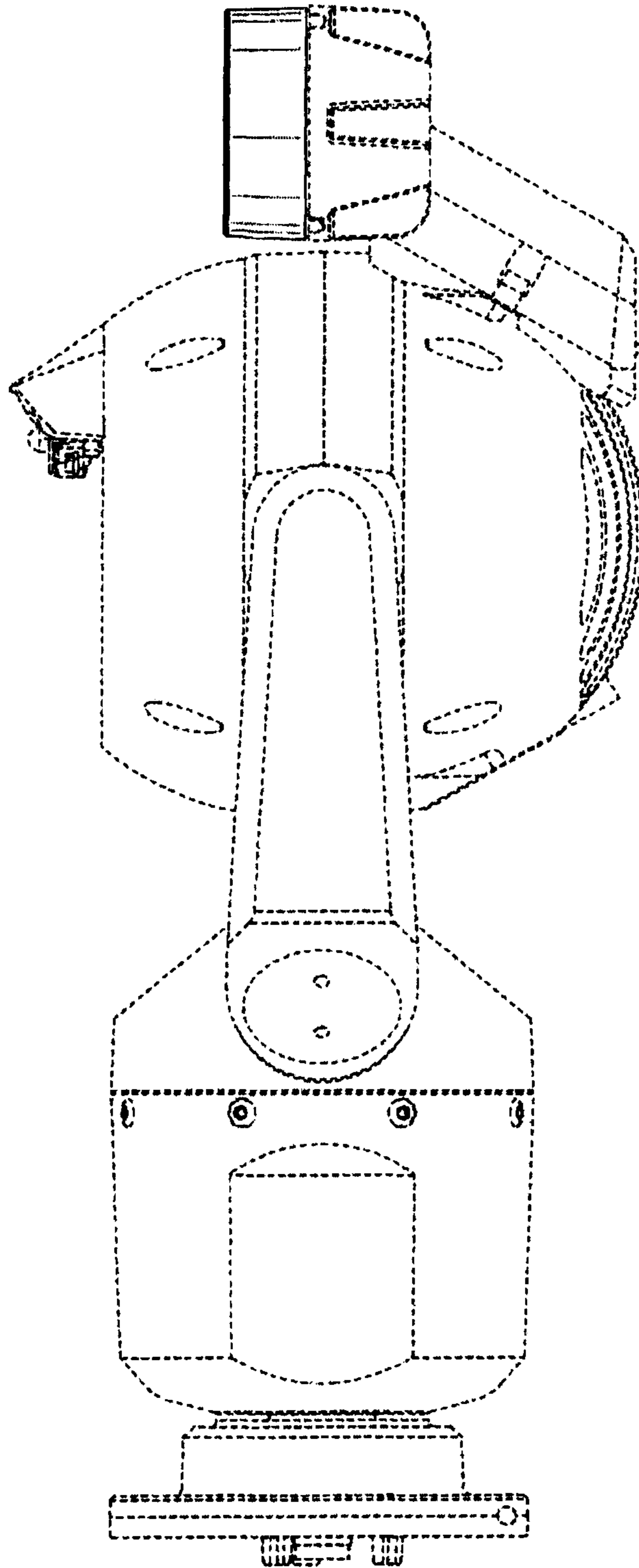


FIG. 4

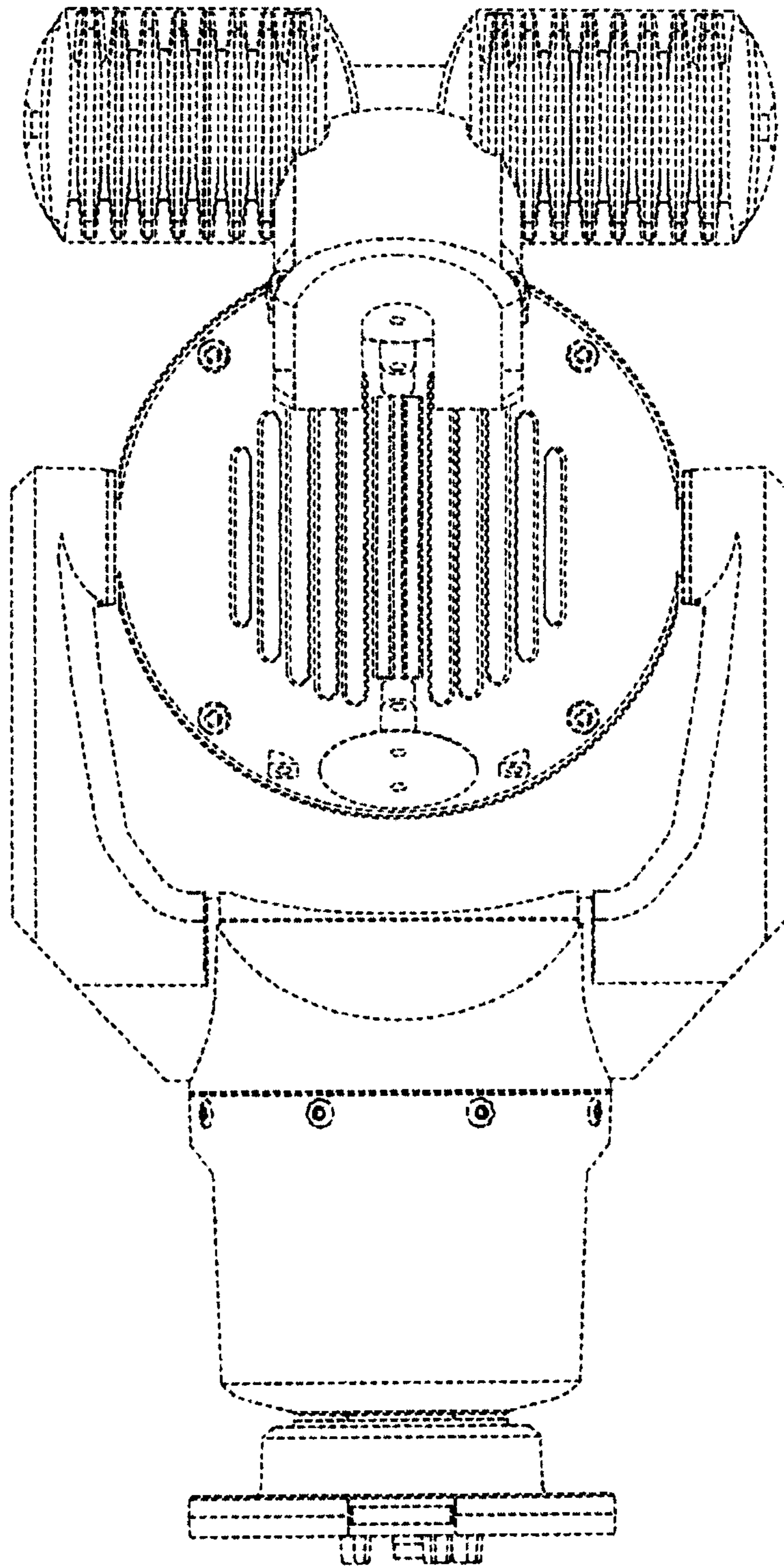


FIG. 5

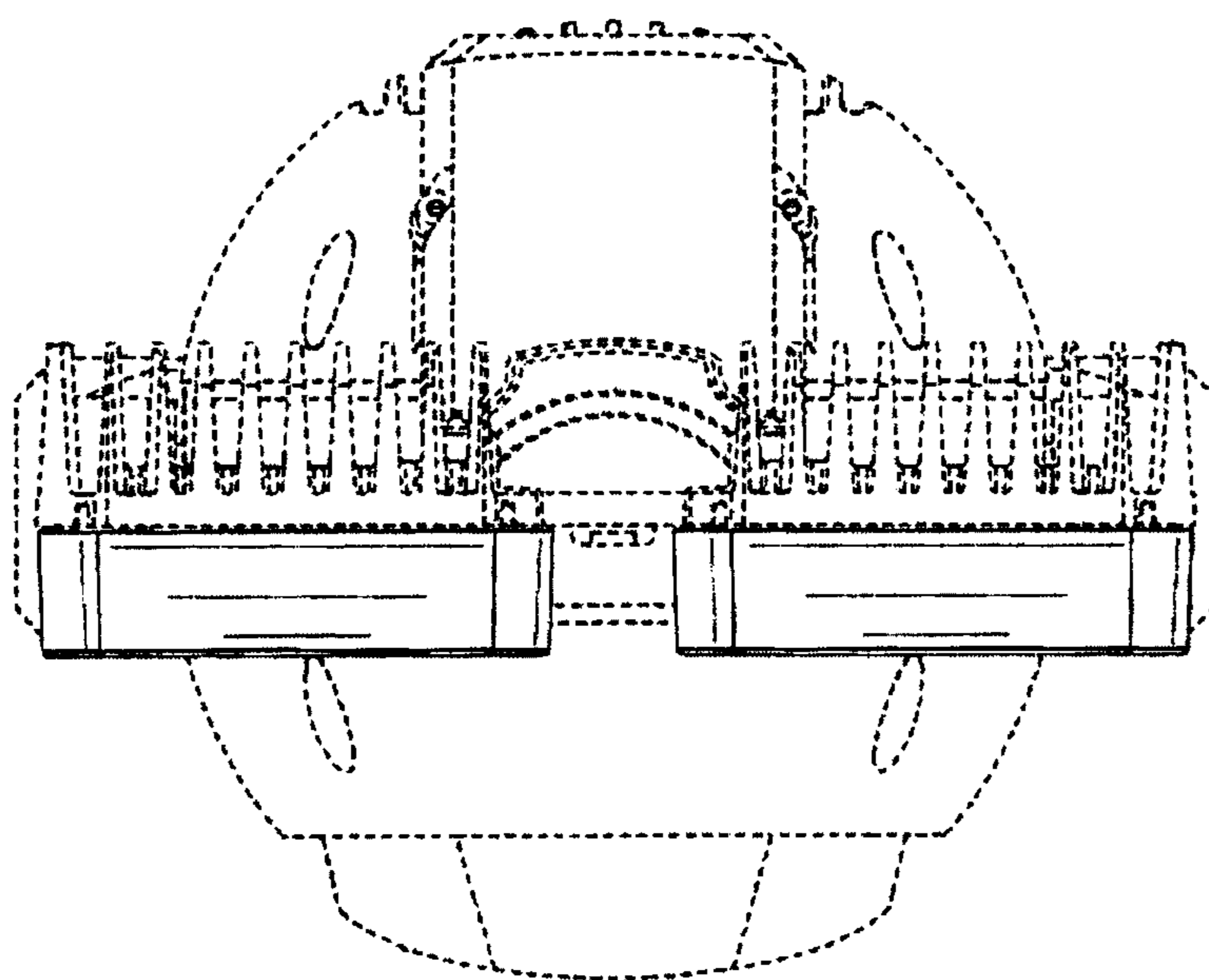


FIG. 6

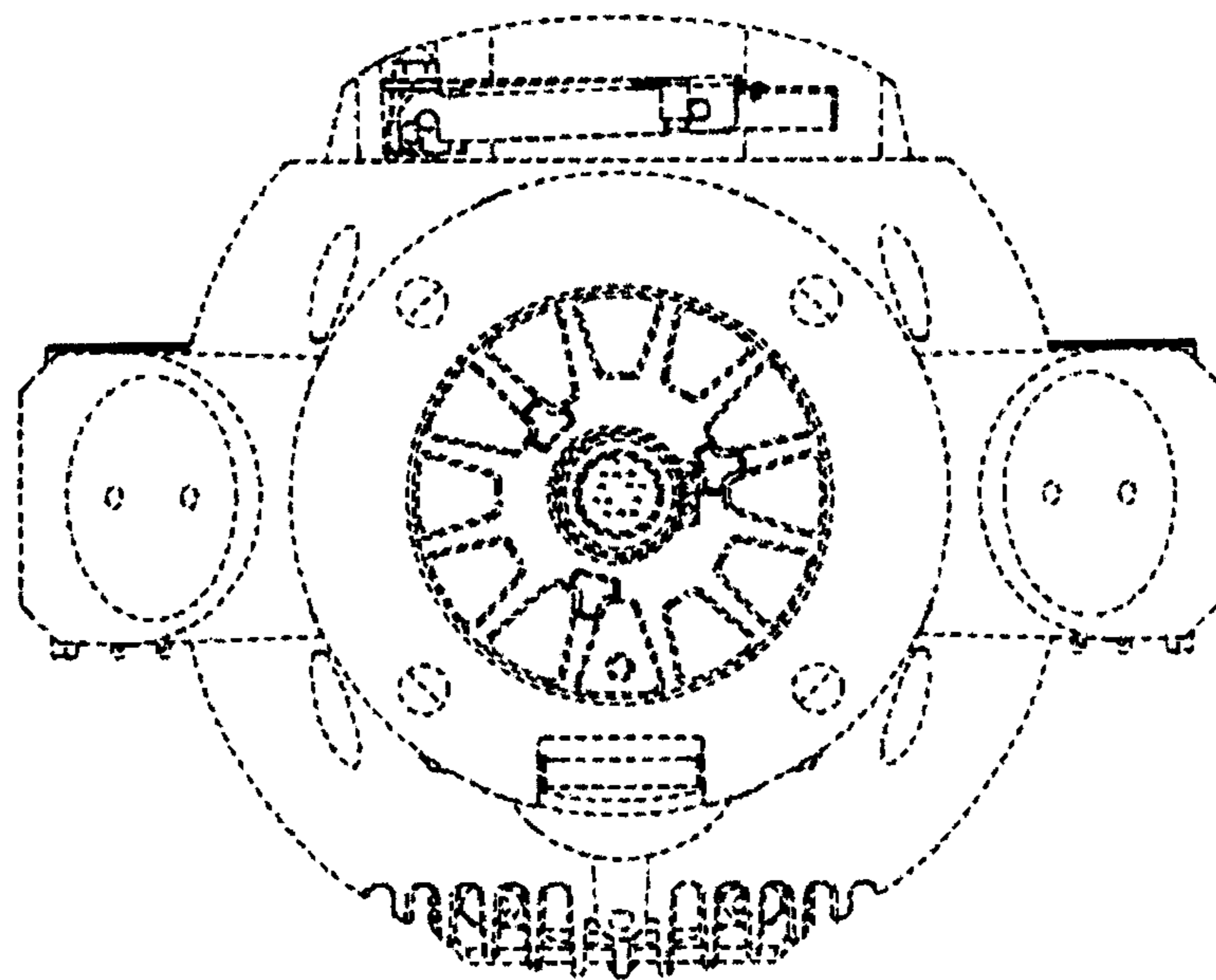


FIG. 7