



US00D716984S

(12) **United States Design Patent**  
**Inskeep**

(10) **Patent No.:** **US D716,984 S**

(45) **Date of Patent:** **\*\* Nov. 4, 2014**

(54) **FLASHLIGHT**

(71) Applicant: **Mathew Inskeep**, Highland Beach, FL  
(US)

(72) Inventor: **Mathew Inskeep**, Highland Beach, FL  
(US)

(\*\*) Term: **14 Years**

(21) Appl. No.: **29/475,349**

(22) Filed: **Dec. 3, 2013**

(51) **LOC (10) Cl.** ..... **26-02**

(52) **U.S. Cl.**  
USPC ..... **D26/49**

(58) **Field of Classification Search**  
CPC ..... F21L 2/00; F21L 4/00; F21L 4/005;  
F21L 17/00; F21L 13/08  
USPC ..... D26/37, 46, 49, 38; 362/157, 158, 183,  
362/184, 194–196, 202–208  
See application file for complete search history.

(56) **References Cited**

**U.S. PATENT DOCUMENTS**

D521,667 S *	5/2006	Chean .....	D26/37
D566,309 S *	4/2008	Kornfeld et al. ....	D26/37
D577,452 S *	9/2008	Shiu .....	D26/49
D577,843 S *	9/2008	Couture et al. ....	D26/49
D577,844 S *	9/2008	Shiu .....	D26/49
D577,845 S *	9/2008	Shiu .....	D26/49
D578,236 S *	10/2008	Dalton .....	D26/49
D579,595 S *	10/2008	Shiu .....	D26/49
D583,973 S *	12/2008	Shiu .....	D26/49
D585,577 S *	1/2009	Bonis .....	D26/49

D586,489 S *	2/2009	Shiu .....	D26/49
D595,439 S *	6/2009	Haight et al. ....	D26/49
D599,928 S *	9/2009	Shiu .....	D26/49
D647,654 S *	10/2011	Li .....	D26/49
D659,270 S *	5/2012	Nguyen et al. ....	D26/49
D671,249 S *	11/2012	Sheikh et al. ....	D26/38
D674,943 S *	1/2013	Sheikh et al. ....	D26/38
D688,402 S *	8/2013	Roshak et al. ....	D26/49
D698,961 S *	2/2014	Dalton .....	D26/49
D699,381 S *	2/2014	Stewart .....	D26/49

\* cited by examiner

*Primary Examiner* — Ian Simmons

*Assistant Examiner* — Carissa C Fitts

(57) **CLAIM**

I claim the ornamental design for a flashlight, as shown and described.

**DESCRIPTION**

FIG. 1 is a top perspective view of the flashlight showing my new design.

FIG. 2 is a bottom perspective view thereof.

FIG. 3 is a front view thereof.

FIG. 4 is a back view thereof.

FIG. 5 is right side view thereof.

FIG. 6 is a left side view thereof.

FIG. 7 is a top view thereof.

FIG. 8 is a bottom view.

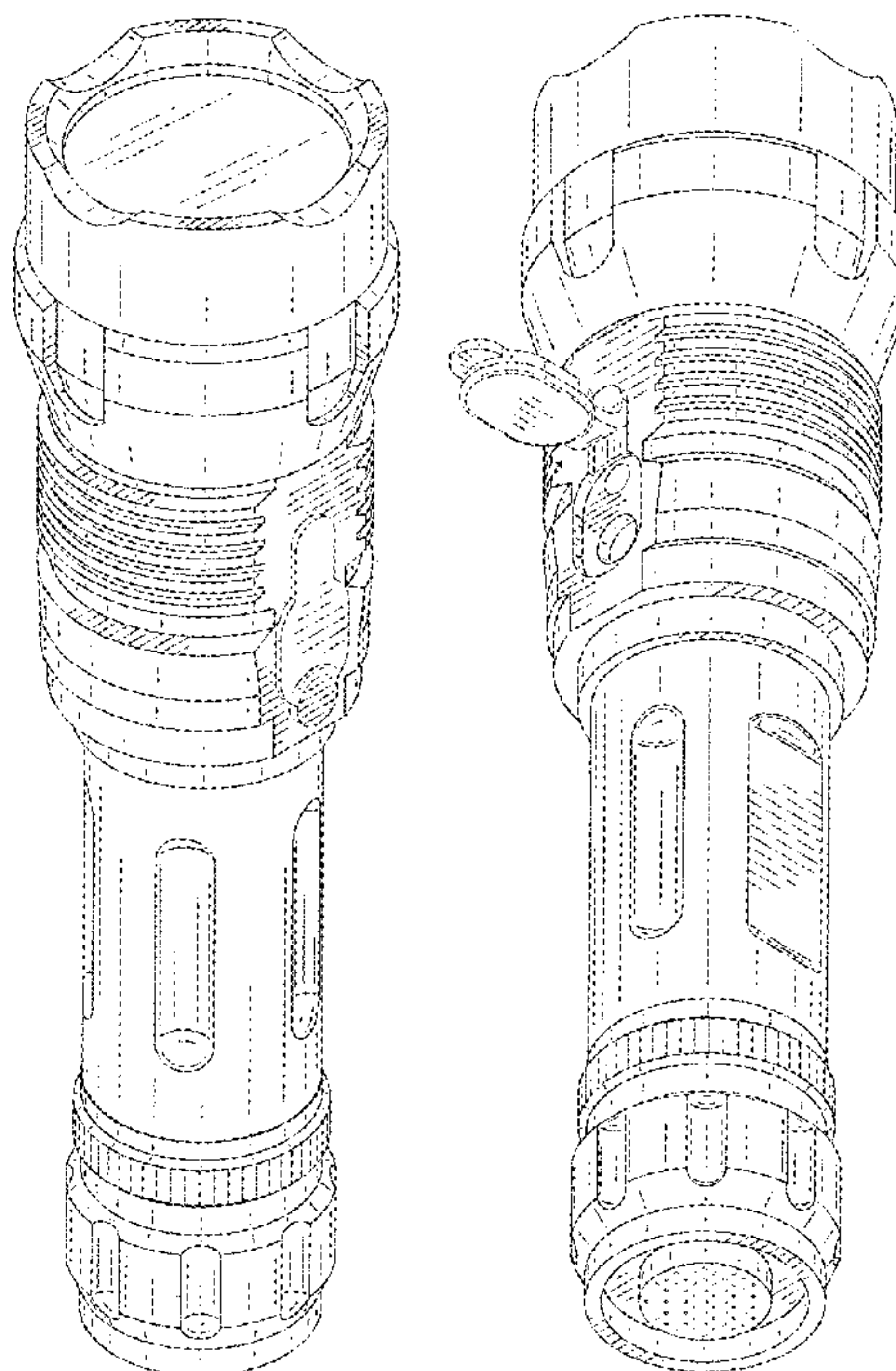
FIG. 9 is a top perspective view with the charging port open.

FIG. 10 is a bottom perspective view with the charging port open.

FIG. 11 is a front view with the charging port open; and,

FIG. 12 is a left side view with the charging port open.

**1 Claim, 11 Drawing Sheets**



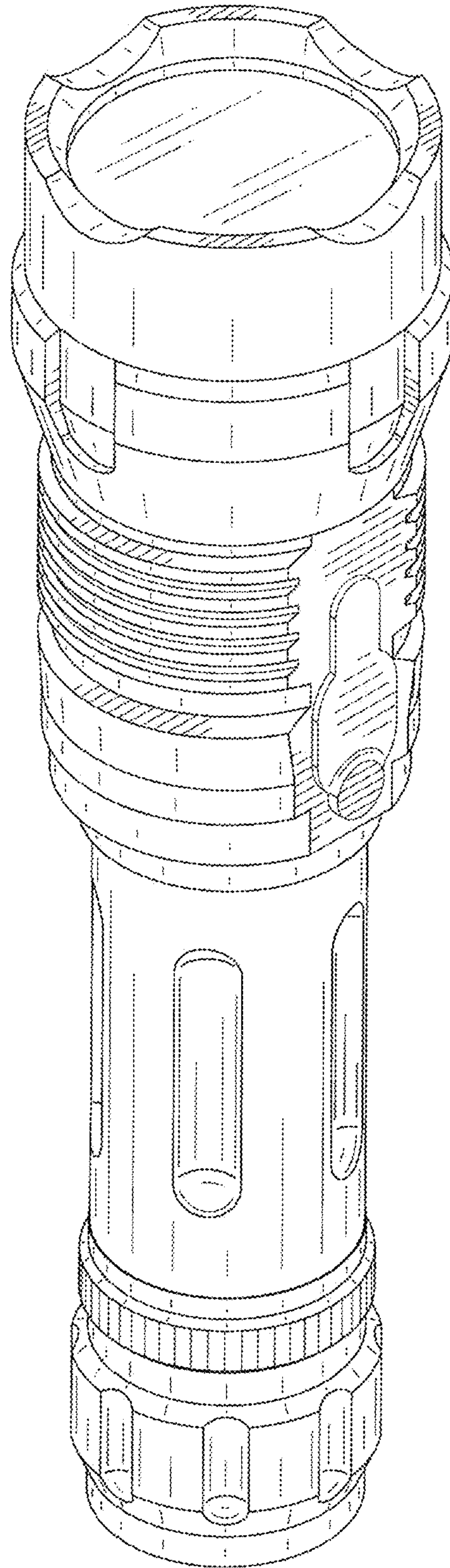


FIG. 1

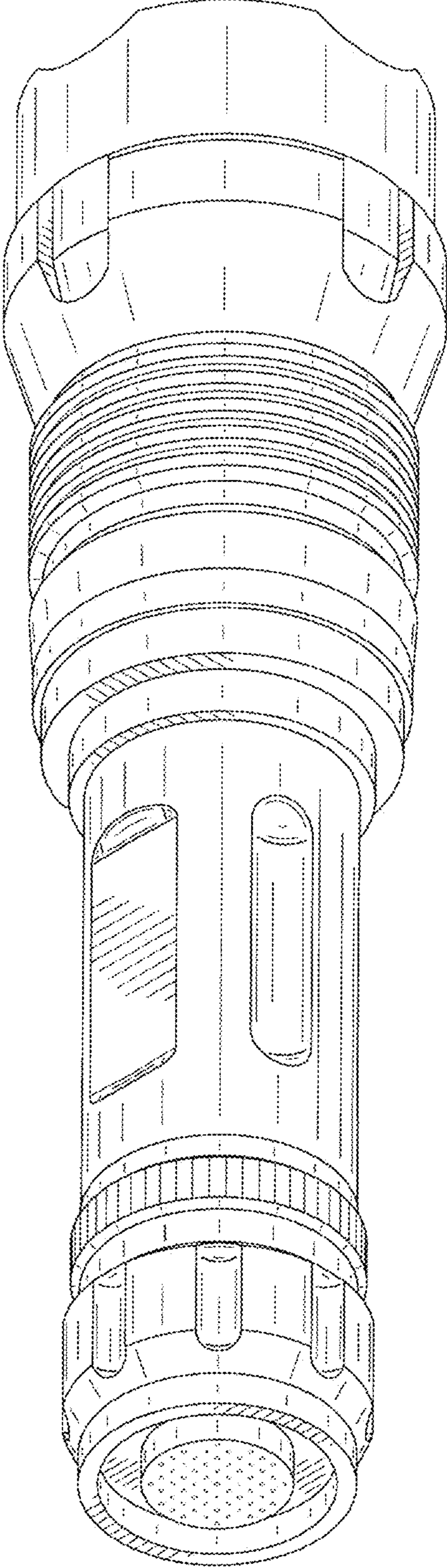


FIG. 2



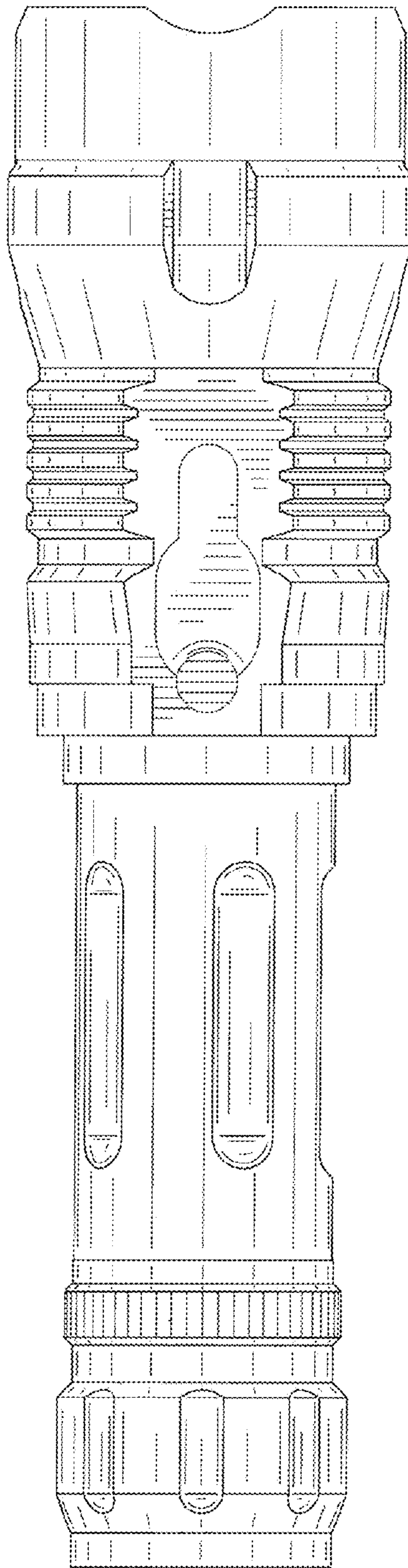


FIG. 3

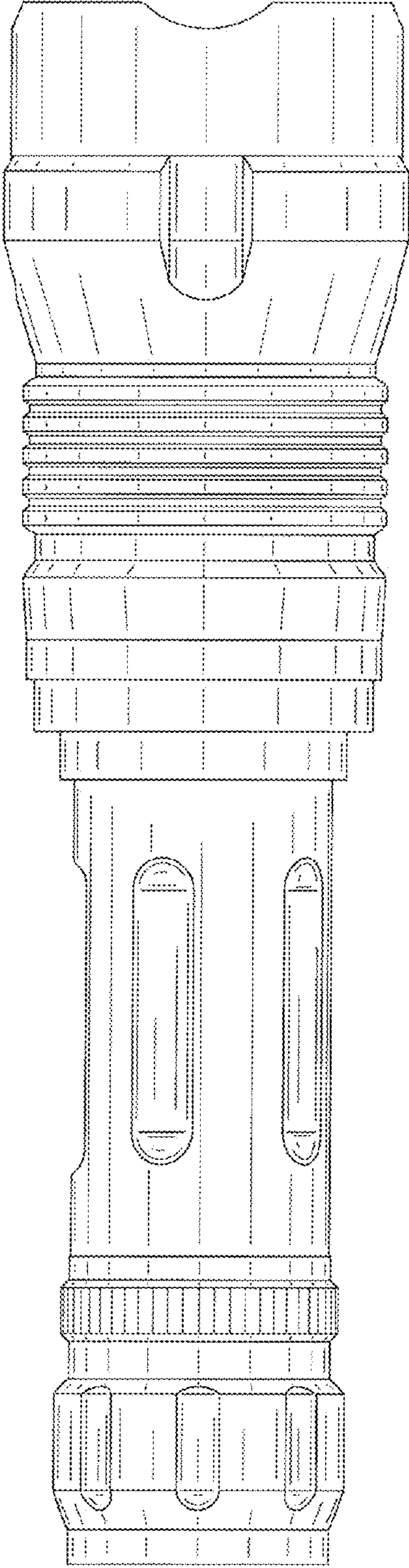


FIG. 4

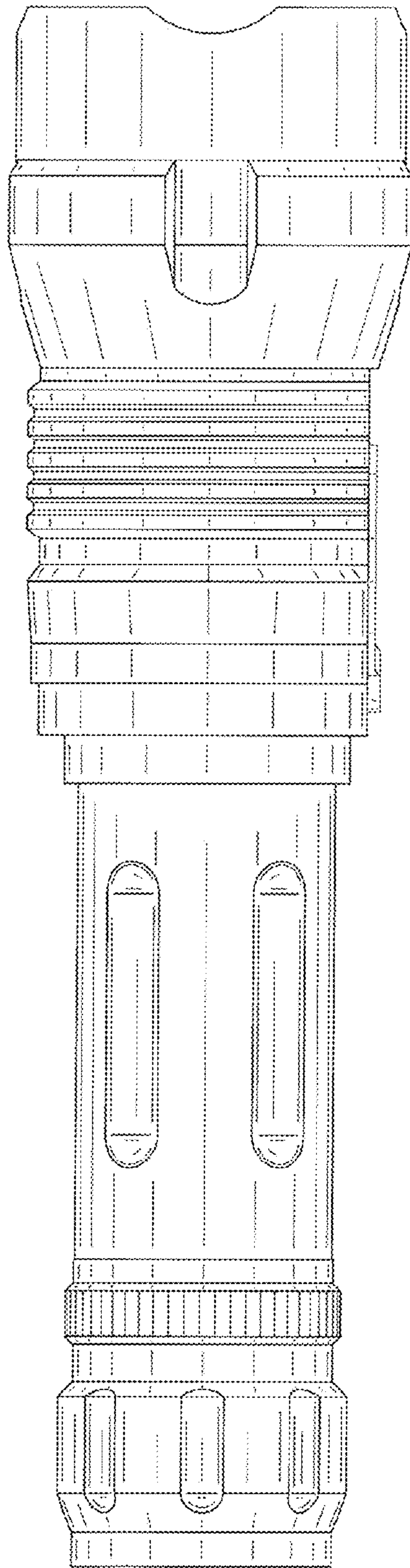


FIG. 5

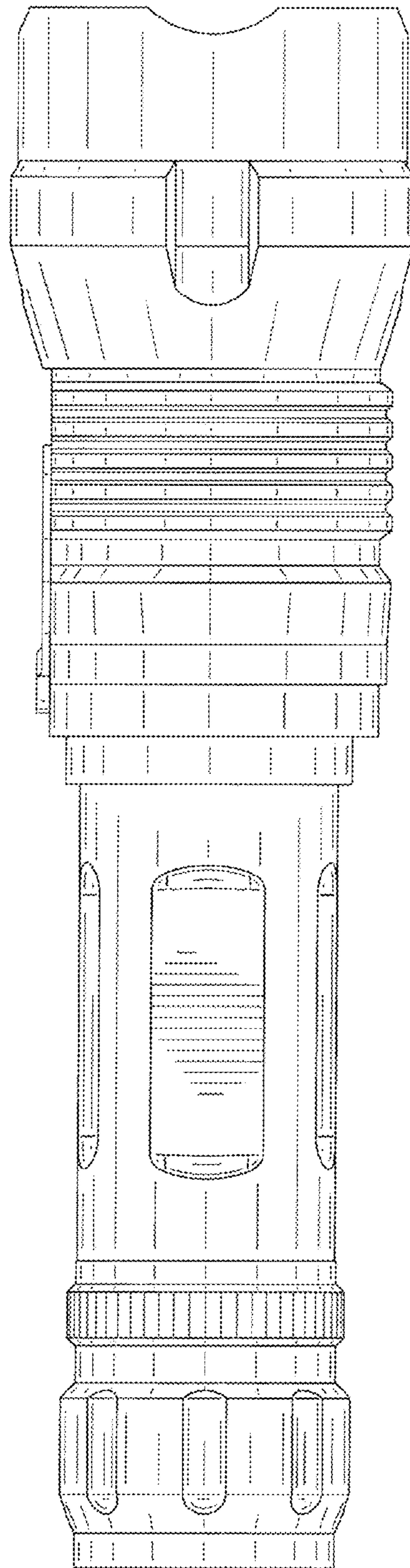


FIG. 6

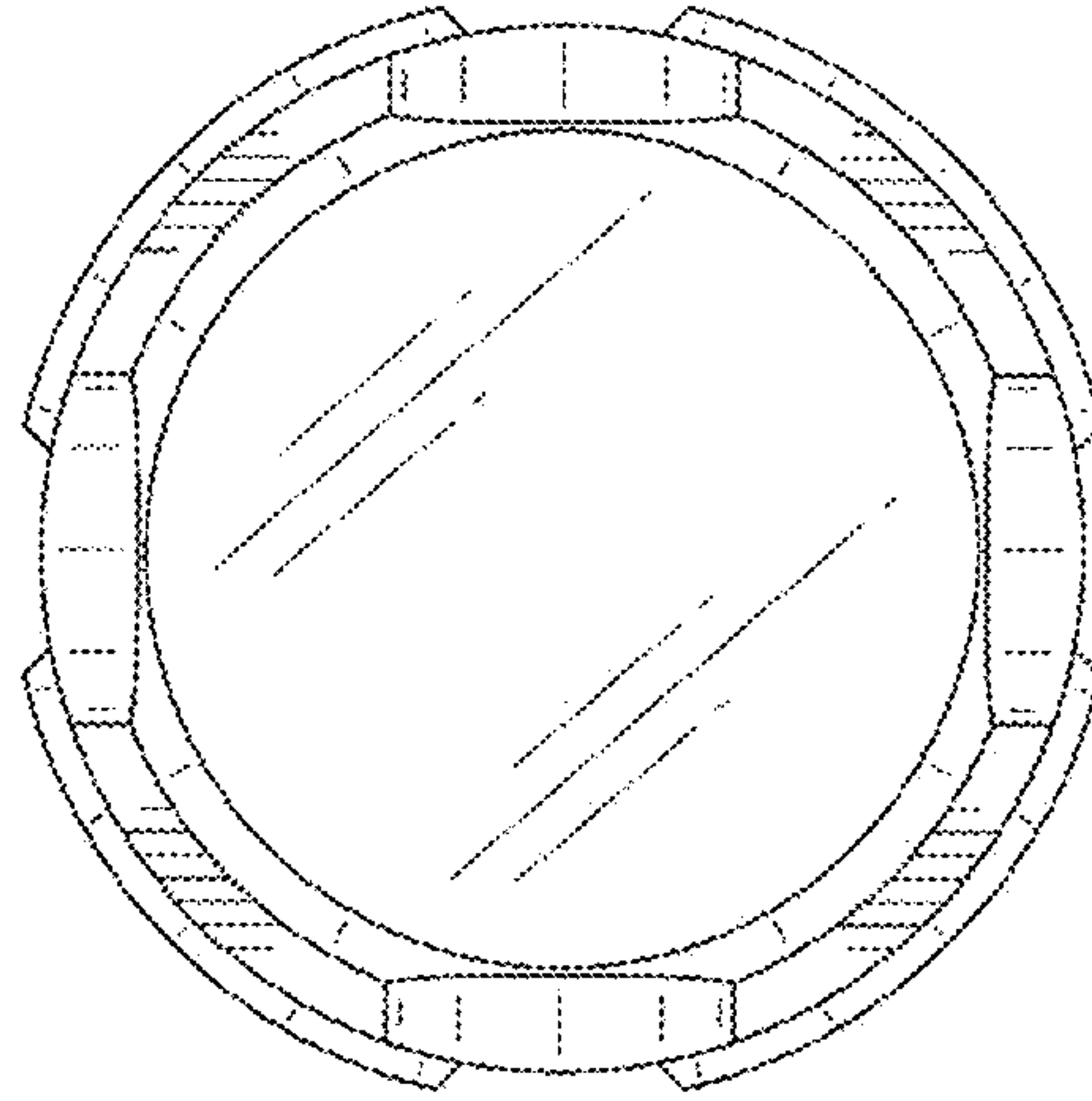


FIG. 7

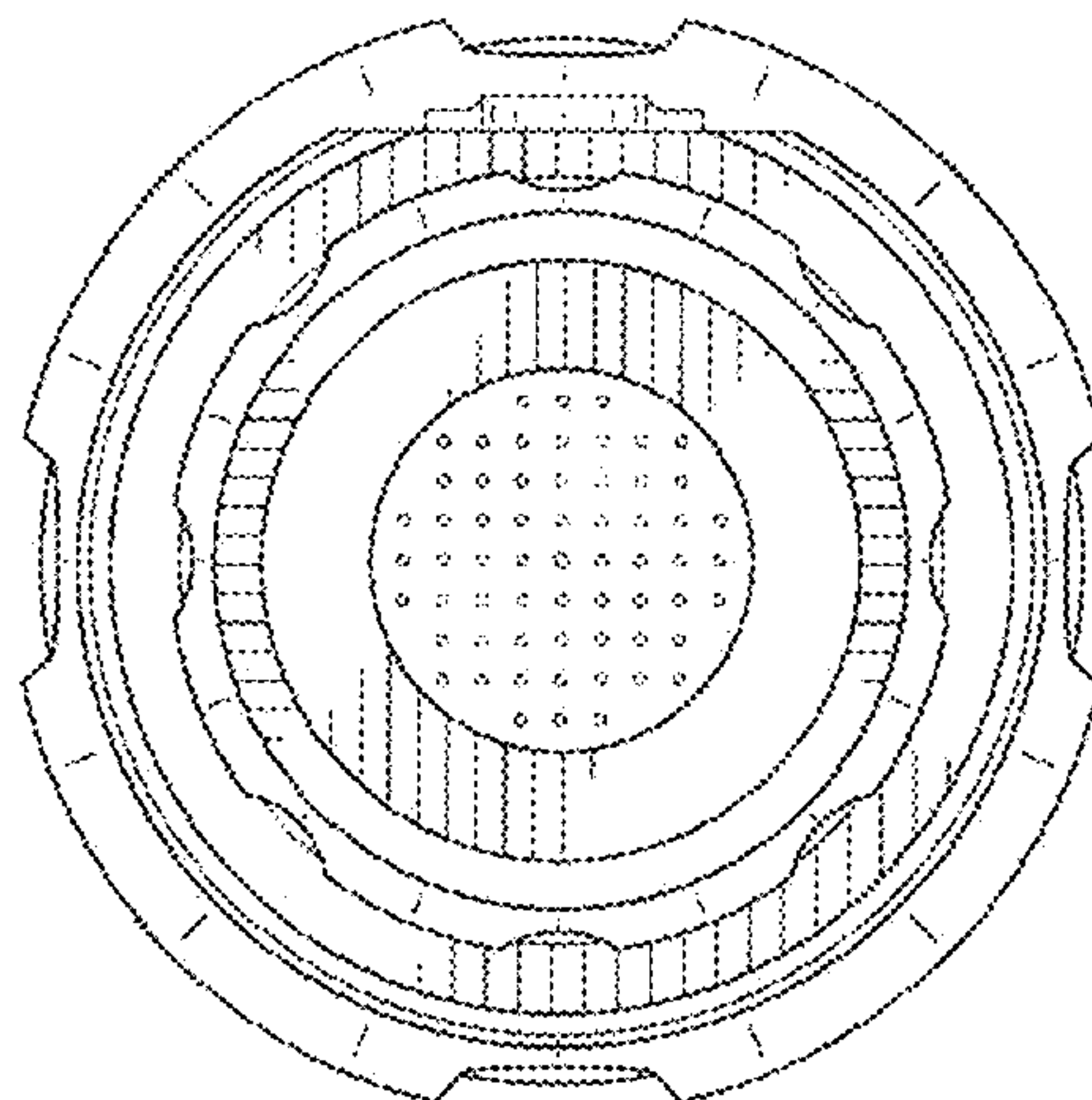


FIG. 8



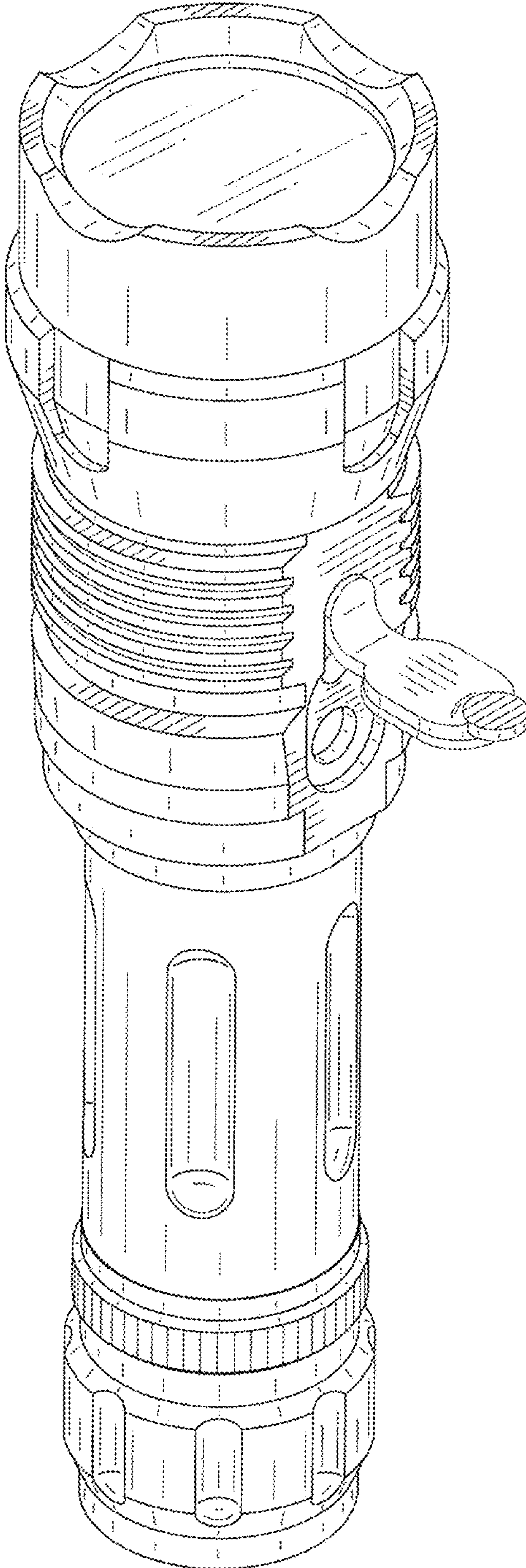


FIG. 9

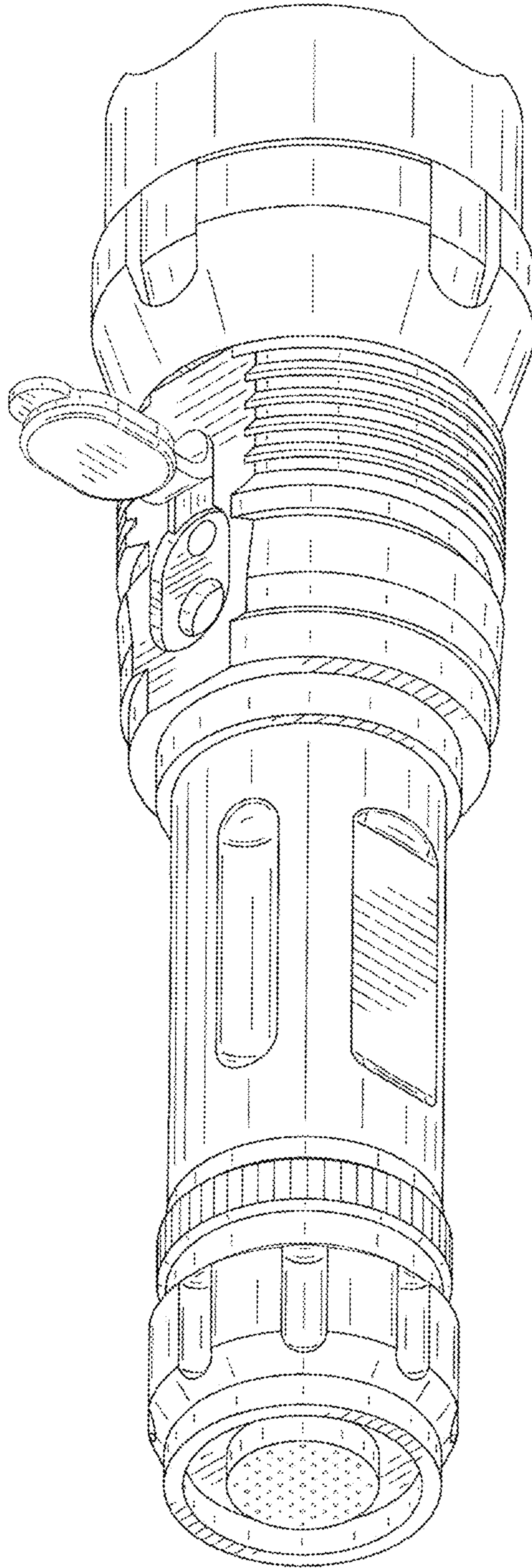


FIG. 10

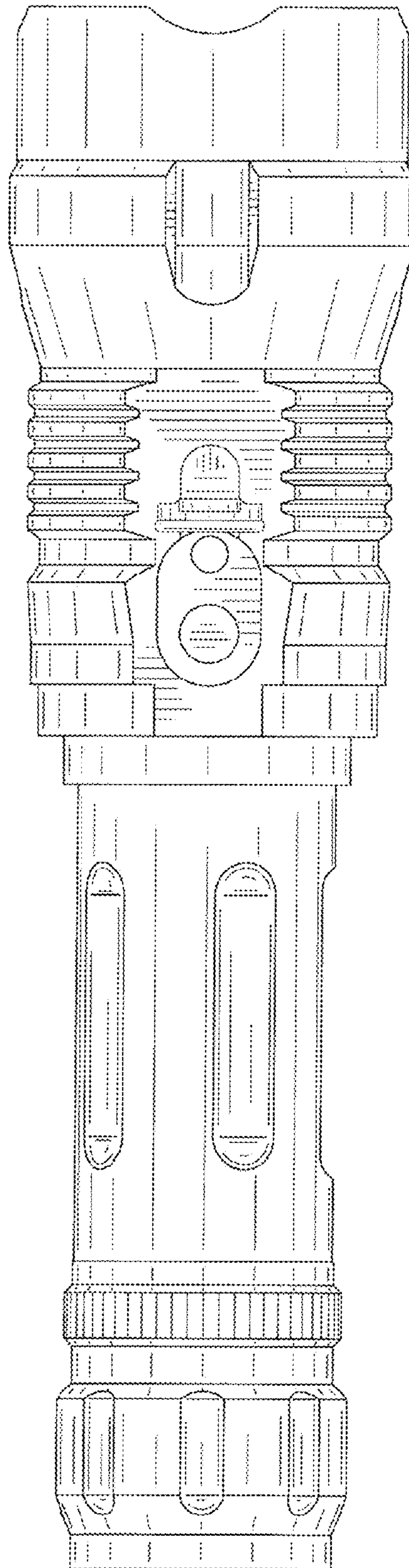


FIG. 11



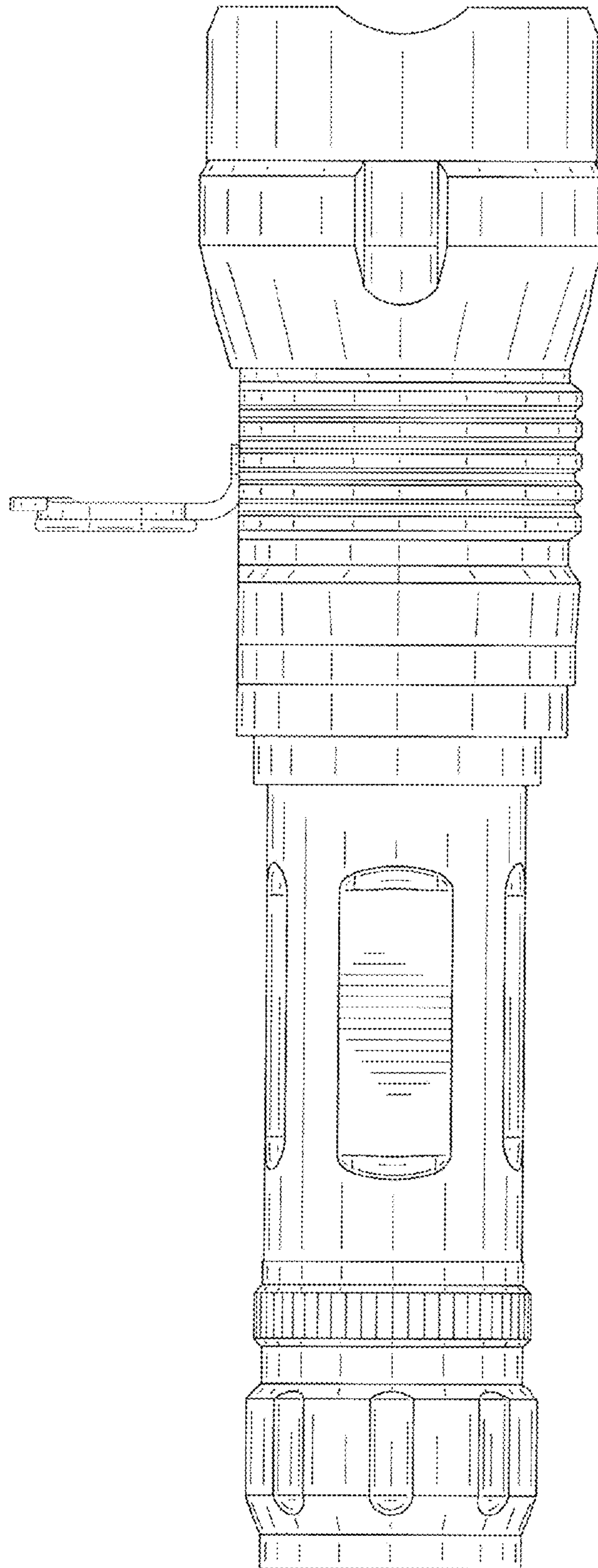


FIG. 12