



US00D716983S

(12) **United States Design Patent**  
**Ma**

(10) **Patent No.:** **US D716,983 S**

(45) **Date of Patent:** **\*\* Nov. 4, 2014**

(54) **LIGHTING DEVICE**

(71) Applicant: **Eveready Battery Company, Inc.**, St. Louis, MO (US)

(72) Inventor: **Lai King Ma**, Fanling (HK)

(73) Assignee: **Eveready Battery Company, Inc.**, St. Louis, MO (US)

(\*\*) Term: **14 Years**

(21) Appl. No.: **29/451,576**

(22) Filed: **Apr. 4, 2013**

(51) **LOC (10) Cl.** ..... **26-02**

(52) **U.S. Cl.**  
USPC ..... **D26/49**

(58) **Field of Classification Search**  
CPC ..... F21L 2/00; F21L 4/00; F21L 4/005;  
F21L 17/00; F21L 13/08  
USPC ..... D26/37, 46, 49, 38; 362/157, 158, 183,  
362/184, 194–196, 202–208  
See application file for complete search history.

(56) **References Cited**

**U.S. PATENT DOCUMENTS**

D360,045 S *	7/1995	Inukai	.....	D26/49
D403,447 S *	12/1998	Parsons	.....	D26/37
D423,129 S *	4/2000	Nakagawa	.....	D26/49
D423,704 S *	4/2000	Man	.....	D26/46
D426,906 S *	6/2000	Nakagawa et al.	.....	D26/49
D427,347 S *	6/2000	Sharrah et al.	.....	D26/49
D448,878 S *	10/2001	Dalton et al.	.....	D26/49
D455,512 S *	4/2002	MacKool	.....	D26/49

D474,554 S *	5/2003	Dalton et al.	.....	D26/49
D474,555 S *	5/2003	Sieckowski et al.	.....	D26/49
D481,817 S *	11/2003	Mah	.....	D26/49
D507,366 S *	7/2005	Opolka	.....	D26/37
D509,011 S *	8/2005	Fritz	.....	D26/49
D608,482 S *	1/2010	Brown et al.	.....	D26/49
D616,583 S *	5/2010	Bertken	.....	D26/49
D617,024 S *	6/2010	Brown et al.	.....	D26/49
D639,476 S *	6/2011	Robinson	.....	D26/49
D668,804 S *	10/2012	Maglica	.....	D26/49
D675,357 S *	1/2013	Shi	.....	D26/49
D706,476 S *	6/2014	Lee	.....	D26/49
D706,969 S *	6/2014	Casciotti et al.	.....	D26/49

\* cited by examiner

*Primary Examiner* — Ian Simmons

*Assistant Examiner* — Carissa C Fitts

(74) *Attorney, Agent, or Firm* — Russell H. Toye, Jr.

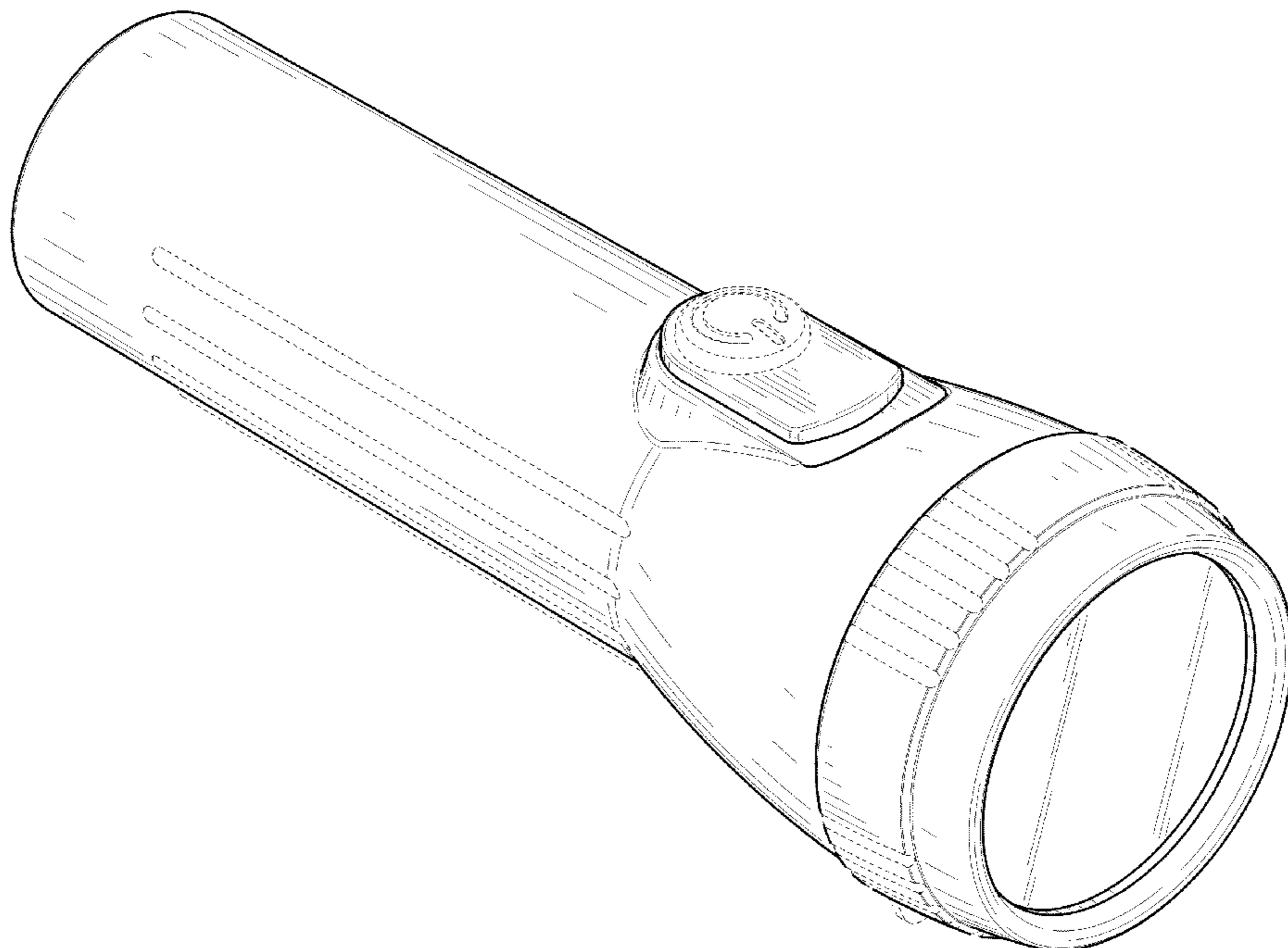
(57) **CLAIM**

I claim the ornamental design for a lighting device, as shown and described.

**DESCRIPTION**

FIG. 1 is a front perspective view of the design.  
FIG. 2 is a rear perspective view of the design.  
FIG. 3 is a front view of the design.  
FIG. 4 is a back view of the design.  
FIG. 5 is a left side view of the design. The right side view of the design is a mirror image of the left side view.  
FIG. 6 is a top view of the design; and,  
FIG. 7 is a bottom view of the design.  
Any broken line(s) shown are for illustrative purposes only and form no part of the claimed design.

**1 Claim, 4 Drawing Sheets**



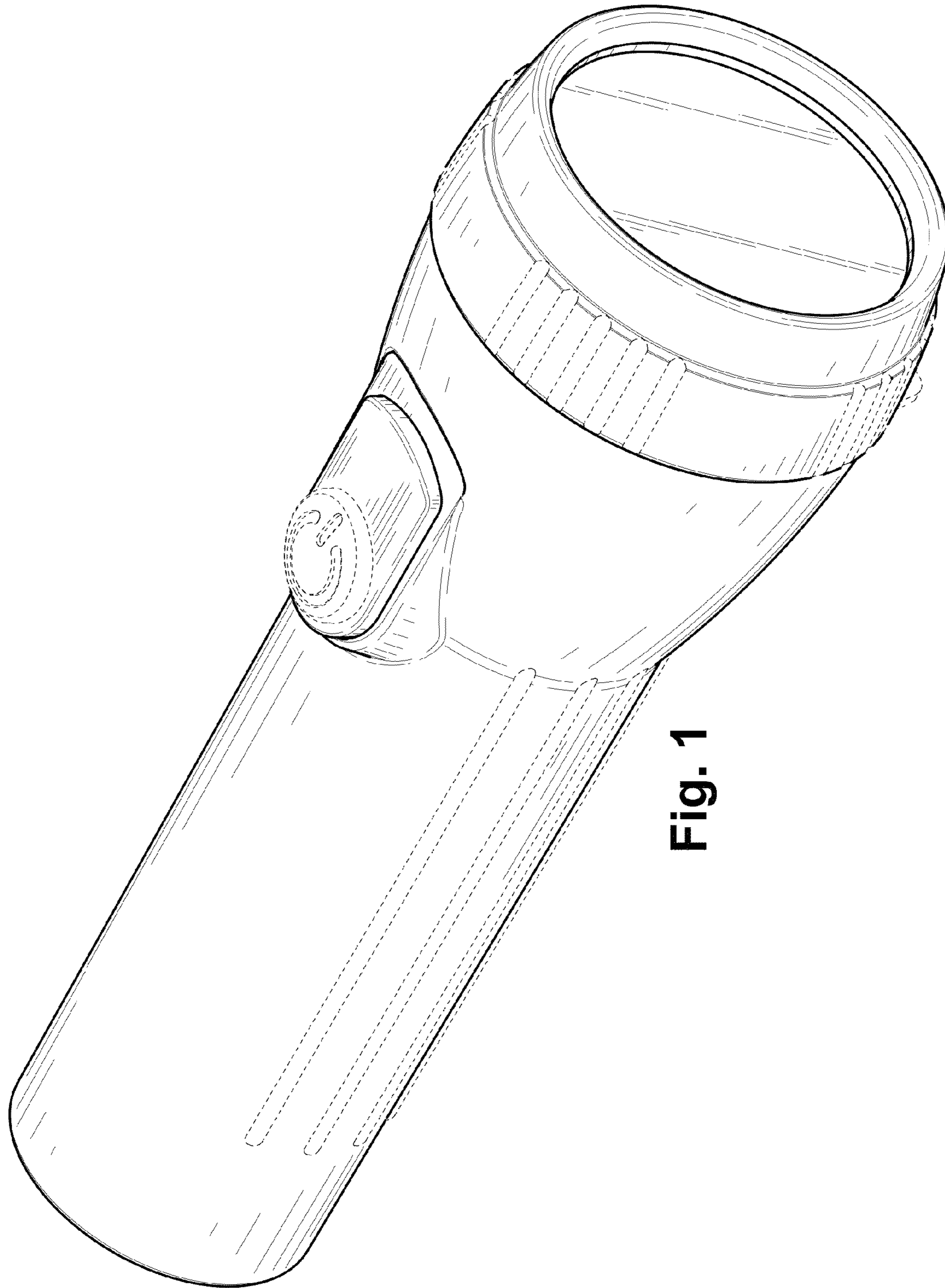


Fig. 1

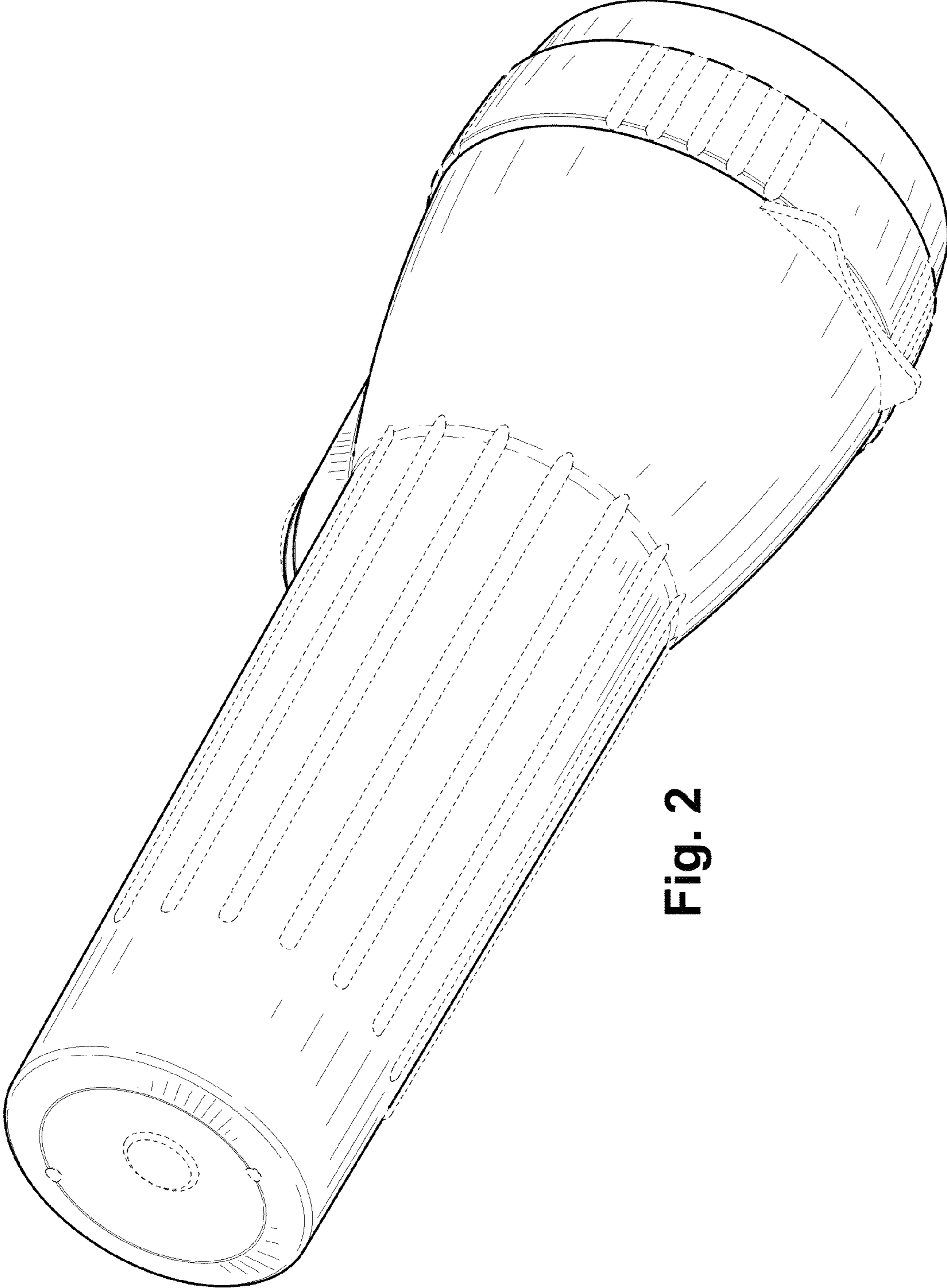


Fig. 2

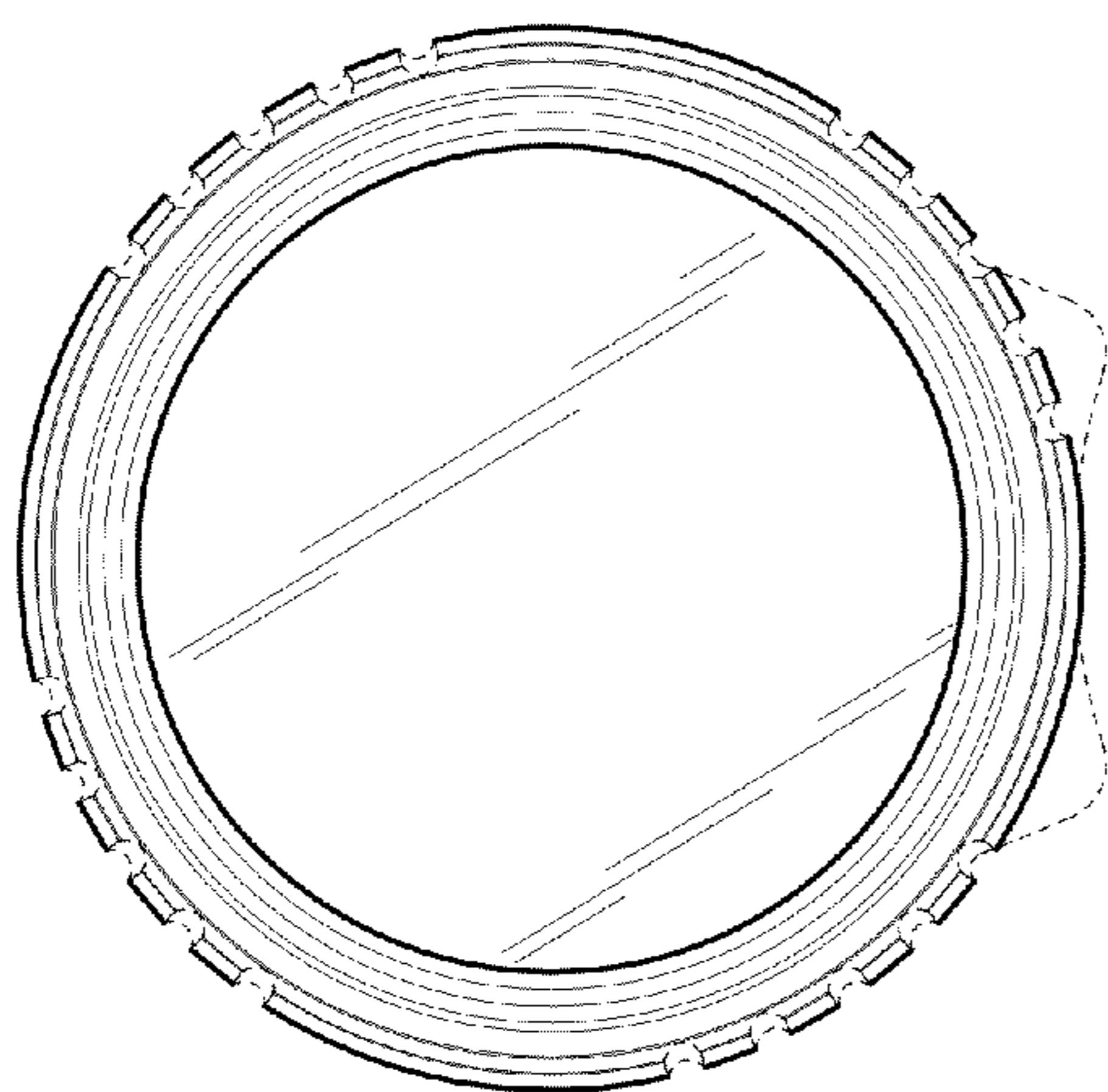


Fig. 3

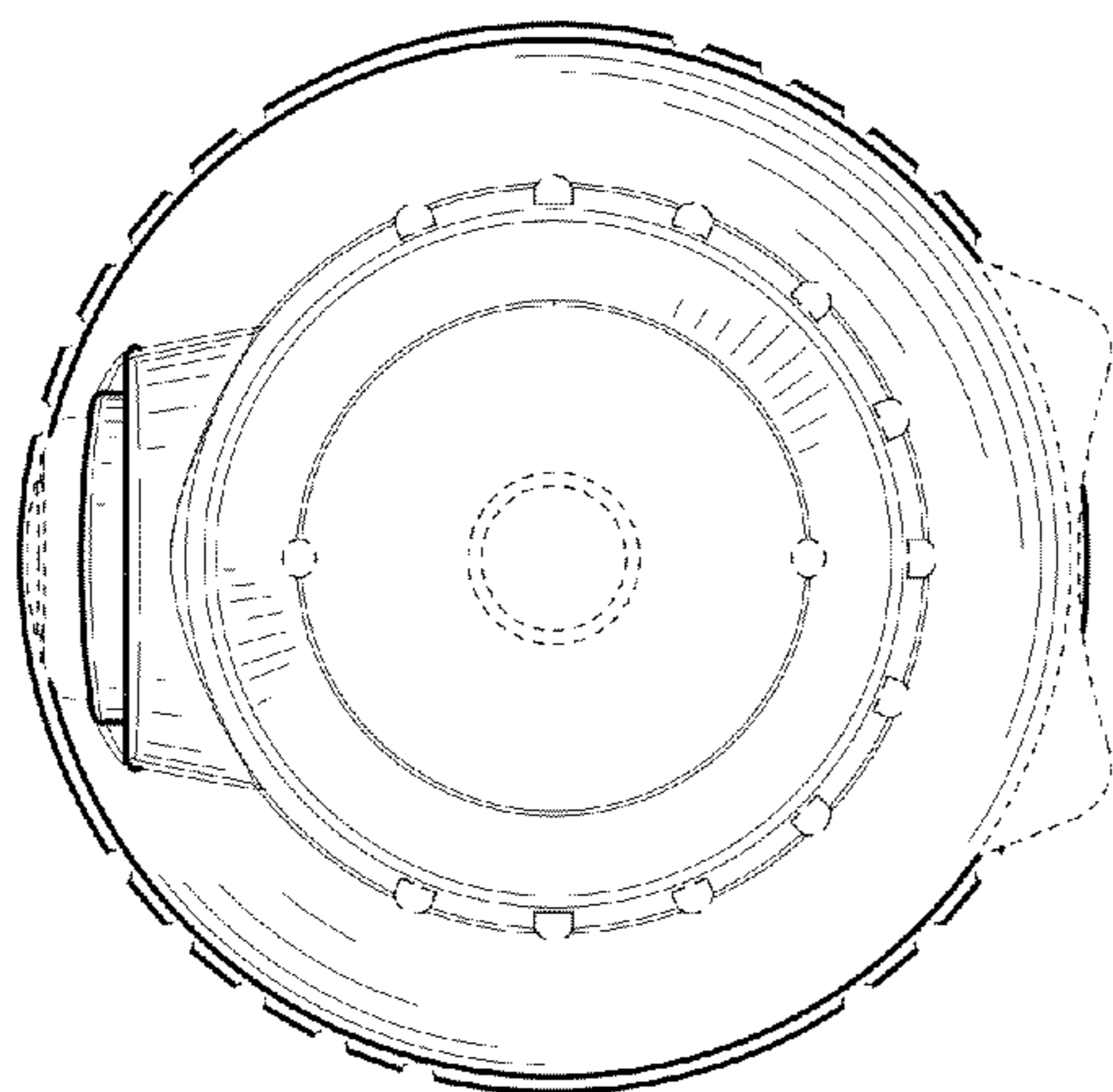


Fig. 4

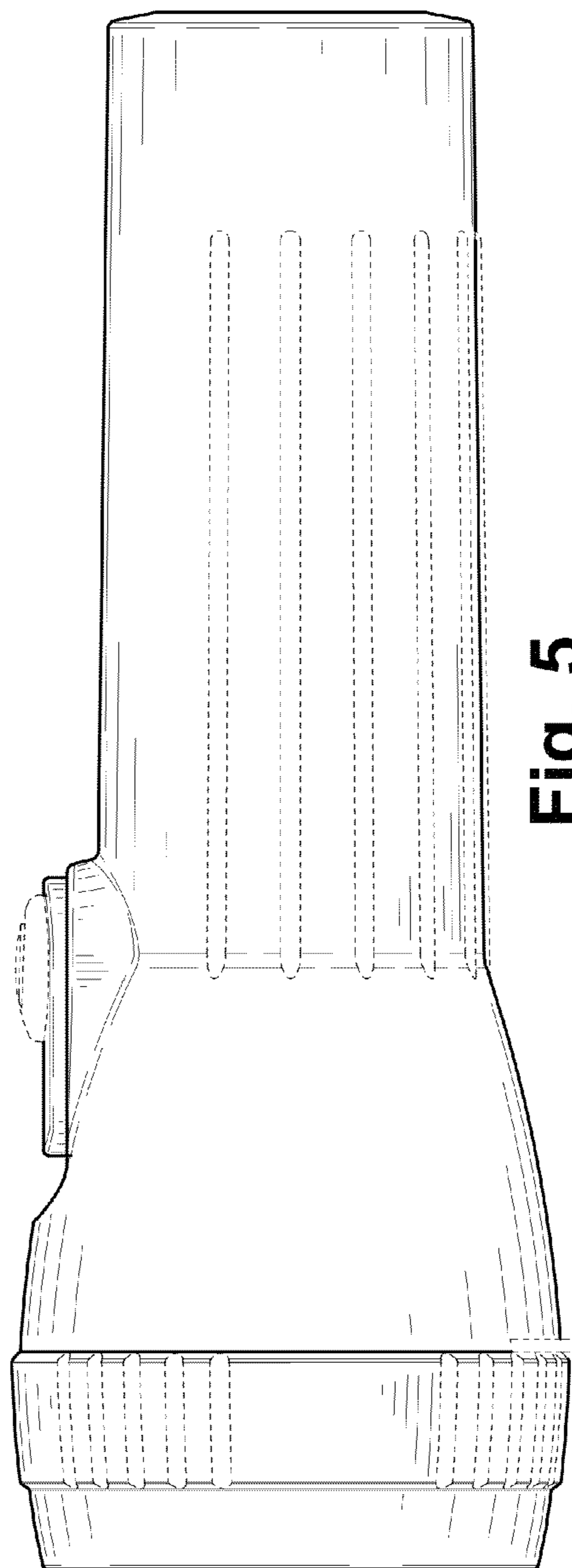


Fig. 5

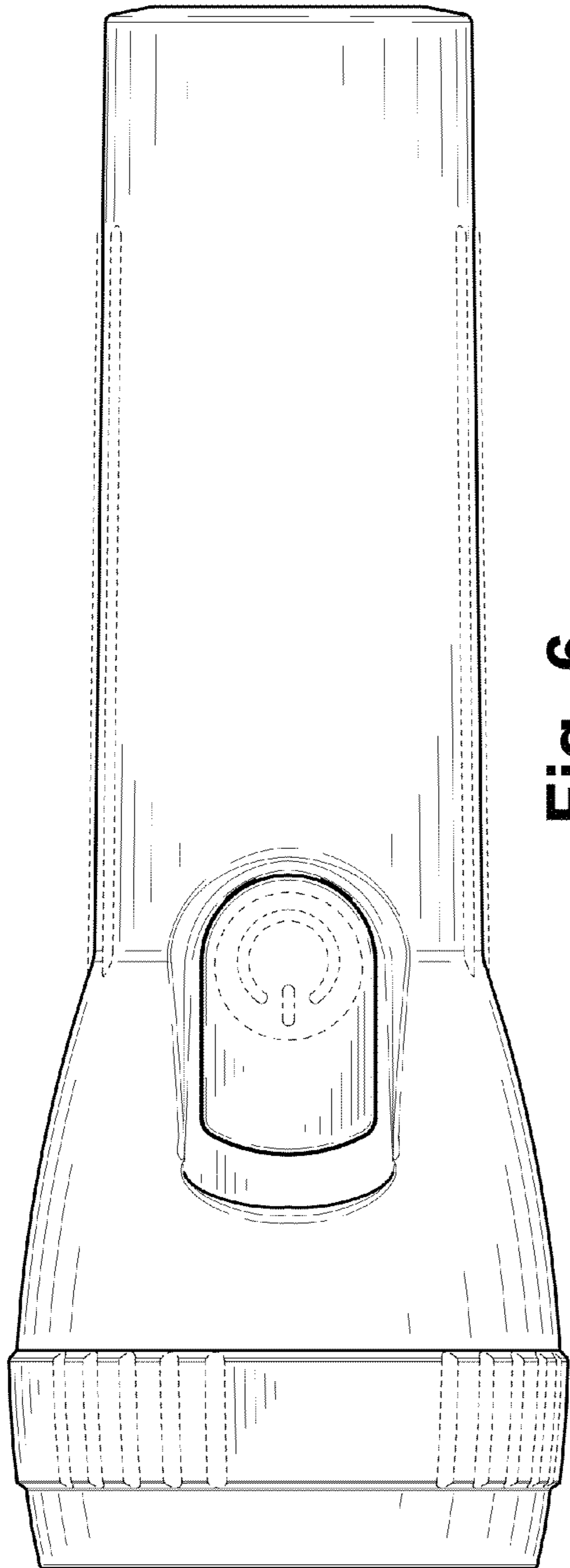


Fig. 6

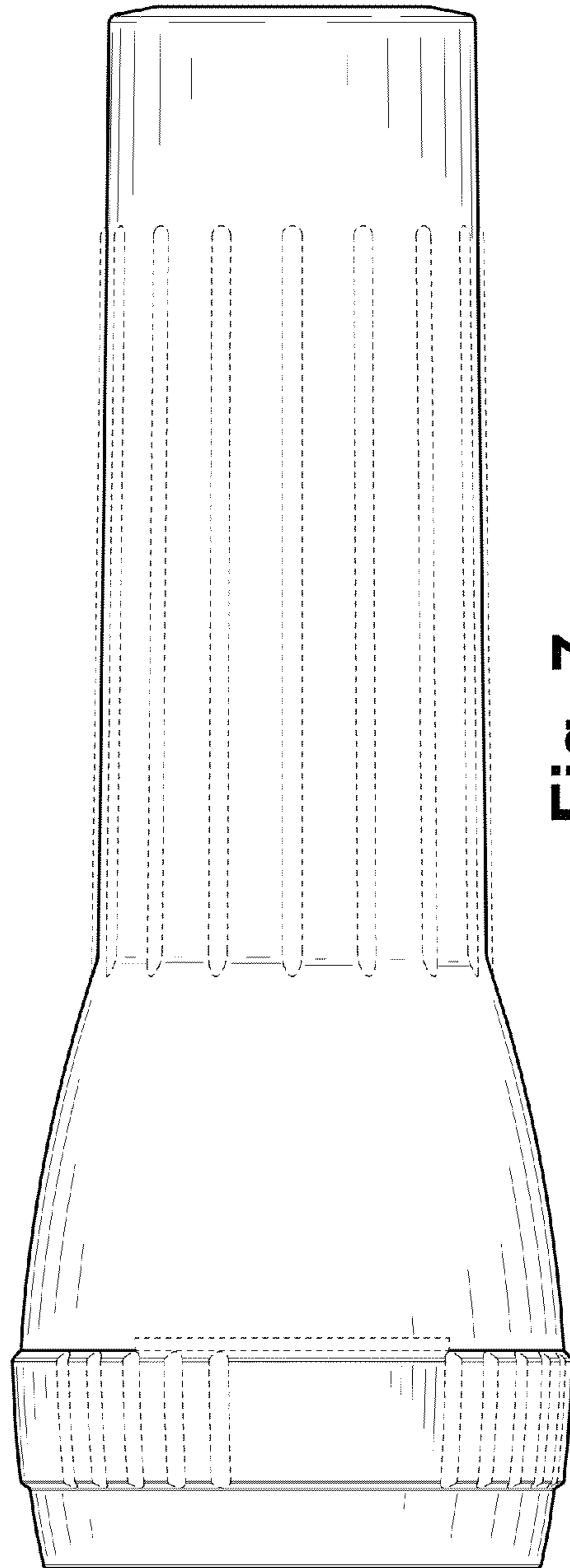


Fig. 7