



US00D716982S

(12) **United States Design Patent**  
**Corey**

(10) **Patent No.:** **US D716,982 S**

(45) **Date of Patent:** **\*\* Nov. 4, 2014**

(54) **LASER**

(71) Applicant: **Jim Breen**, Chandler, AZ (US)

(72) Inventor: **Carter Corey**, Chandler, AZ (US)

(73) Assignee: **Jim Breen**, Chandler, AZ (US)

(\*\*) Term: **14 Years**

(21) Appl. No.: **29/435,646**

(22) Filed: **Oct. 26, 2012**

(51) **LOC (10) Cl.** ..... **26-02**

(52) **U.S. Cl.**  
USPC ..... **D26/49**

(58) **Field of Classification Search**  
USPC ..... D26/37, 38, 40, 42, 46, 49, 50;  
362/157, 158, 183, 184, 194-196,  
362/202-208  
See application file for complete search history.

(56) **References Cited**

**U.S. PATENT DOCUMENTS**

4,733,337	A	*	3/1988	Bieberstein	.....	362/206
D295,562	S	*	5/1988	Fazzina	.....	D26/49
D300,602	S	*	4/1989	Smith, Sr.	.....	D8/303
D308,258	S	*	5/1990	Kung-kit et al.	.....	D26/49
D336,965	S	*	6/1993	Yau	.....	D26/49

D465,045	S	*	10/2002	Yamamoto et al.	.....	D26/49
D539,216	S	*	3/2007	Hamaguchi	.....	D13/103
D552,001	S	*	10/2007	Fornt	.....	D10/111
D561,365	S	*	2/2008	Huff	.....	D26/37
D571,386	S	*	6/2008	Lipsiner et al.	.....	D16/131
D578,687	S	*	10/2008	Hong	.....	D26/37
D591,438	S	*	4/2009	Hama et al.	.....	D26/37
D661,006	S	*	5/2012	Hwang	.....	D26/49
D693,042	S	*	11/2013	Wu	.....	D26/49

\* cited by examiner

*Primary Examiner* — Ian Simmons

*Assistant Examiner* — Carissa C Fitts

(74) *Attorney, Agent, or Firm* — Paul B. Heynssens Attorney at Law PLC

(57) **CLAIM**

The ornamental design for an laser, as shown and described.

**DESCRIPTION**

FIG. 1 is a front perspective view of an laser showing my new design;

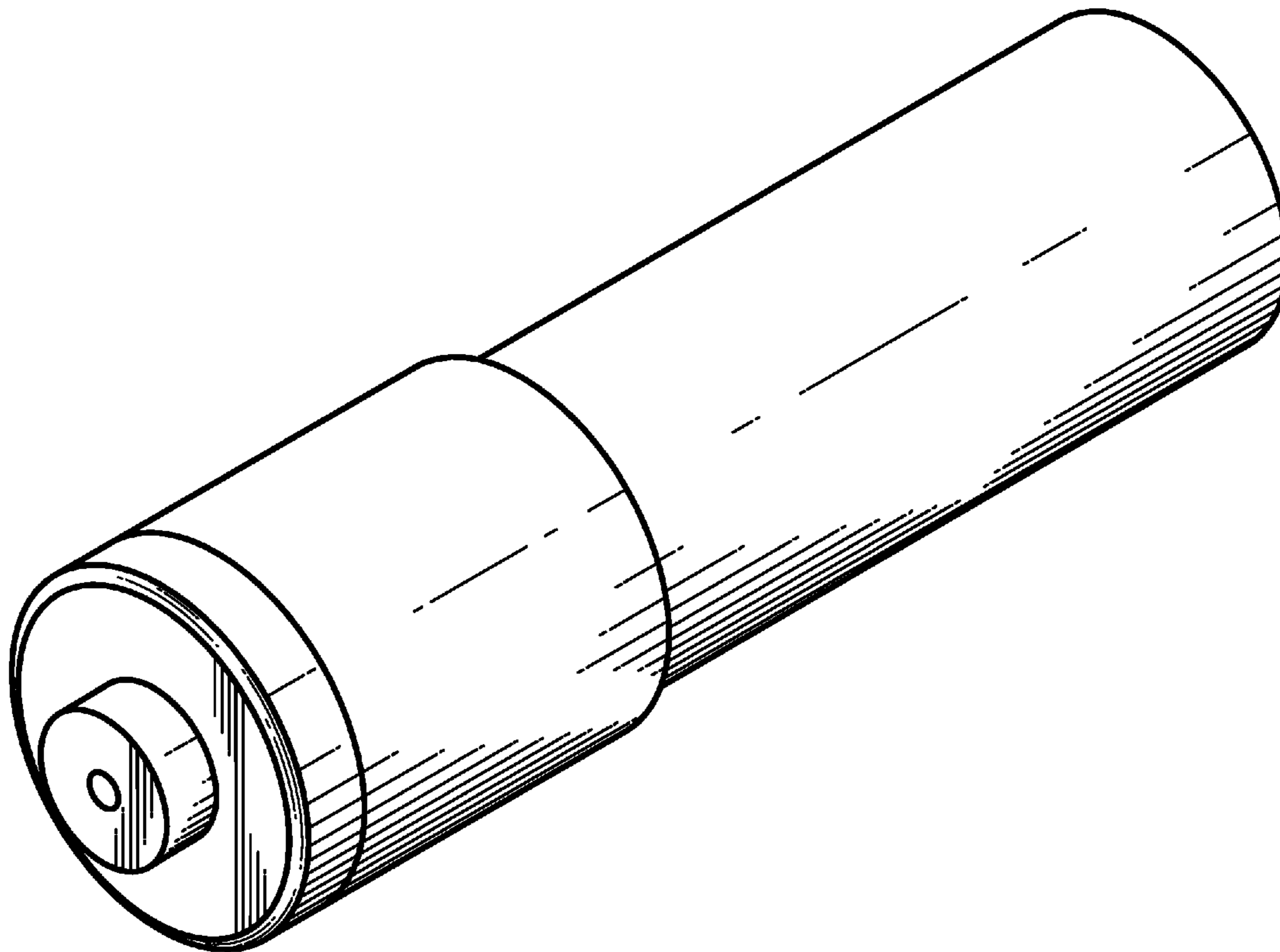
FIG. 2 is a front view thereof;

FIG. 3 is a top view thereof, the bottom, right and left views being mirror images thereof; and,

FIG. 4 is a rear view thereof.

Any broken lines present are indicative of environmental structure in the drawing and are not part of the design sought to be patented.

**1 Claim, 2 Drawing Sheets**



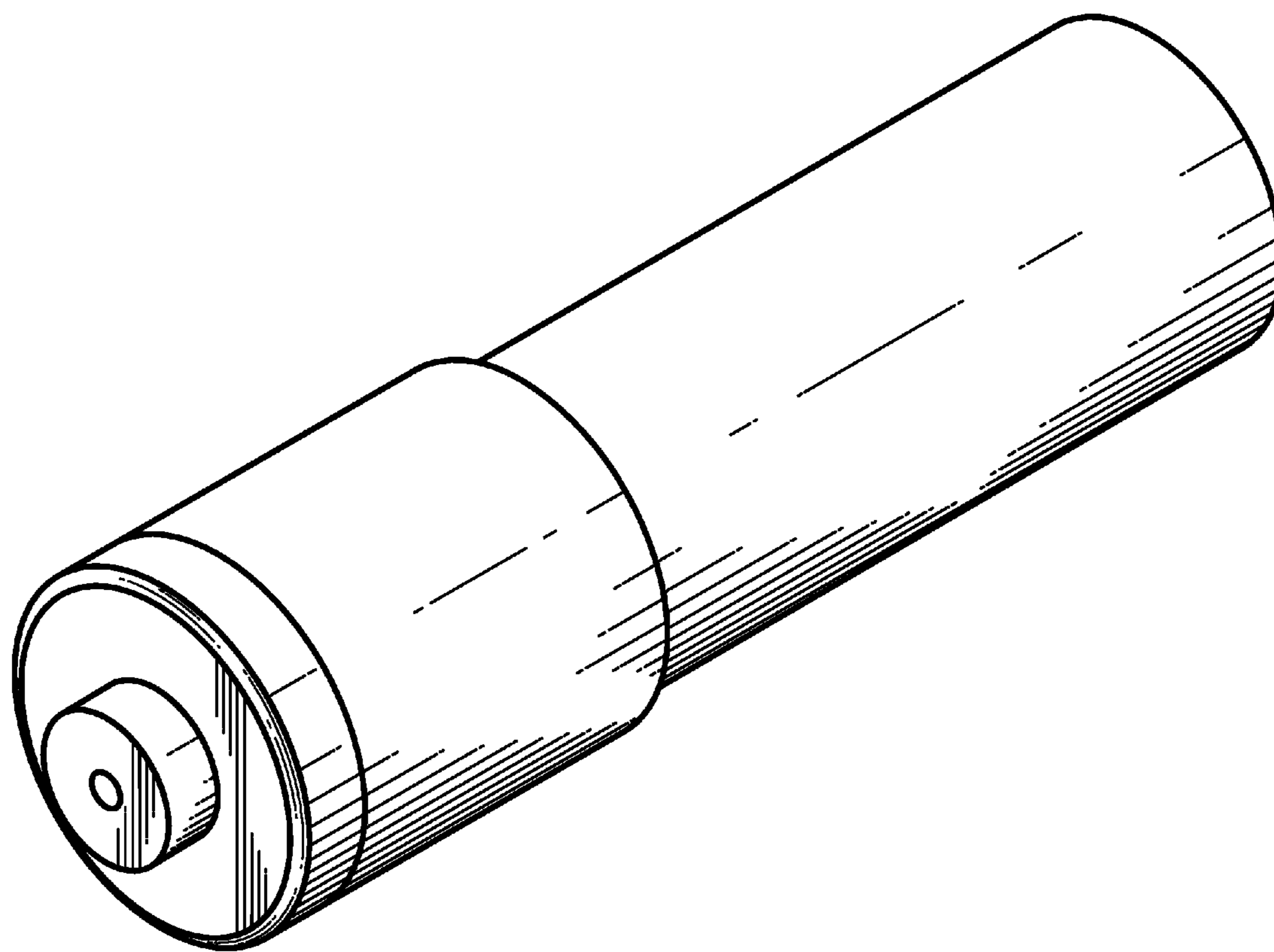


FIG. 1

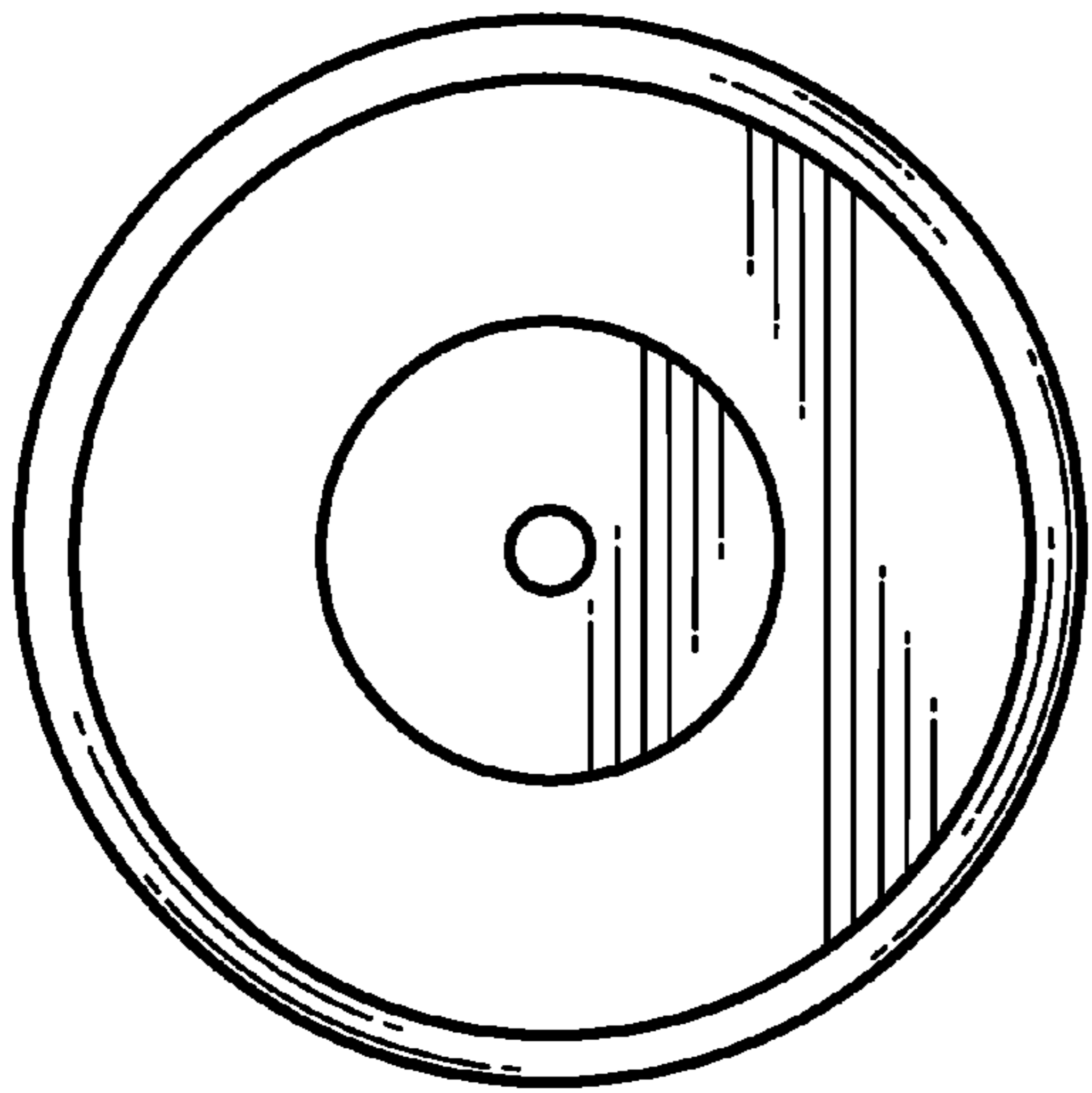


FIG. 2

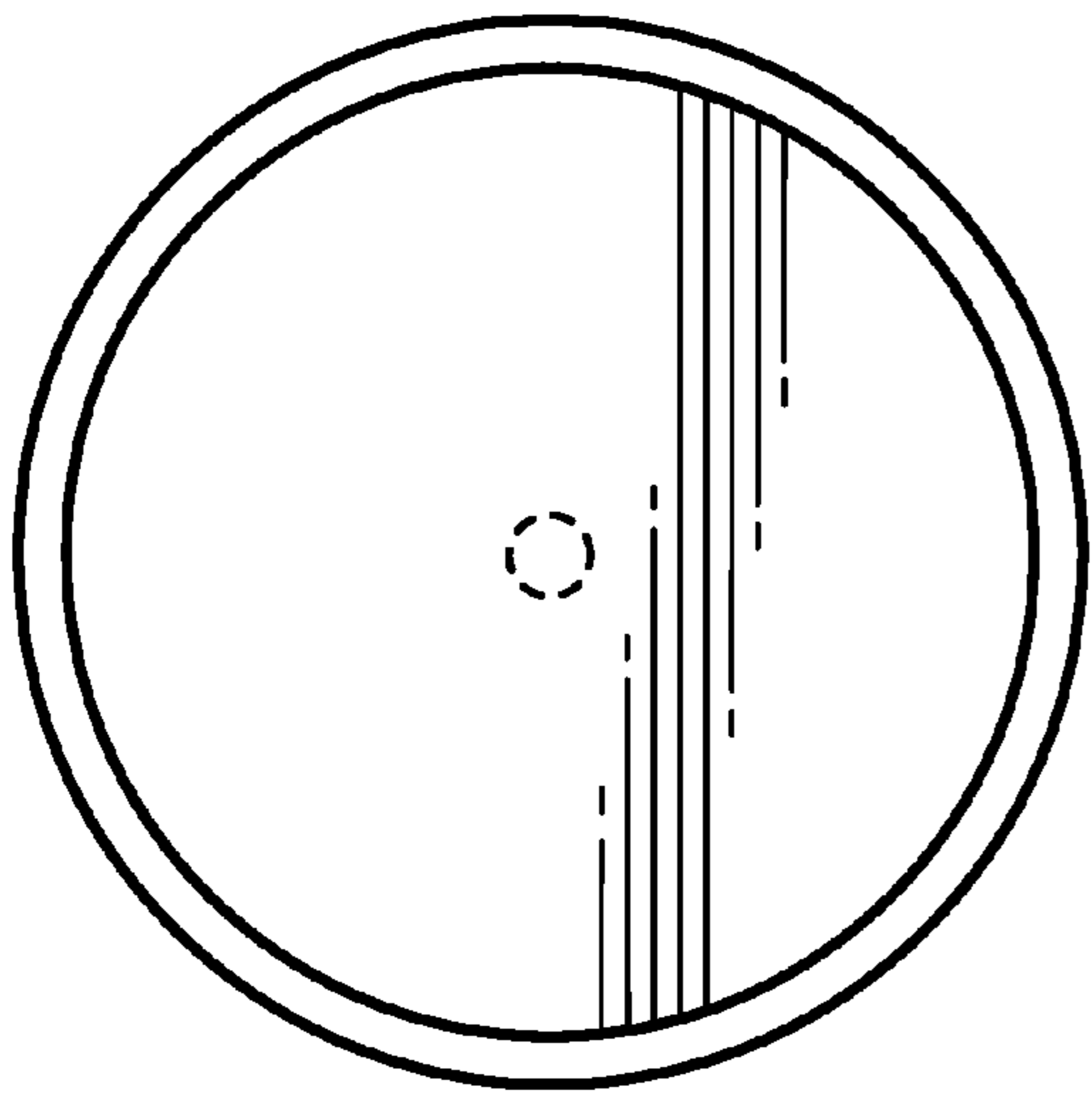


FIG. 4

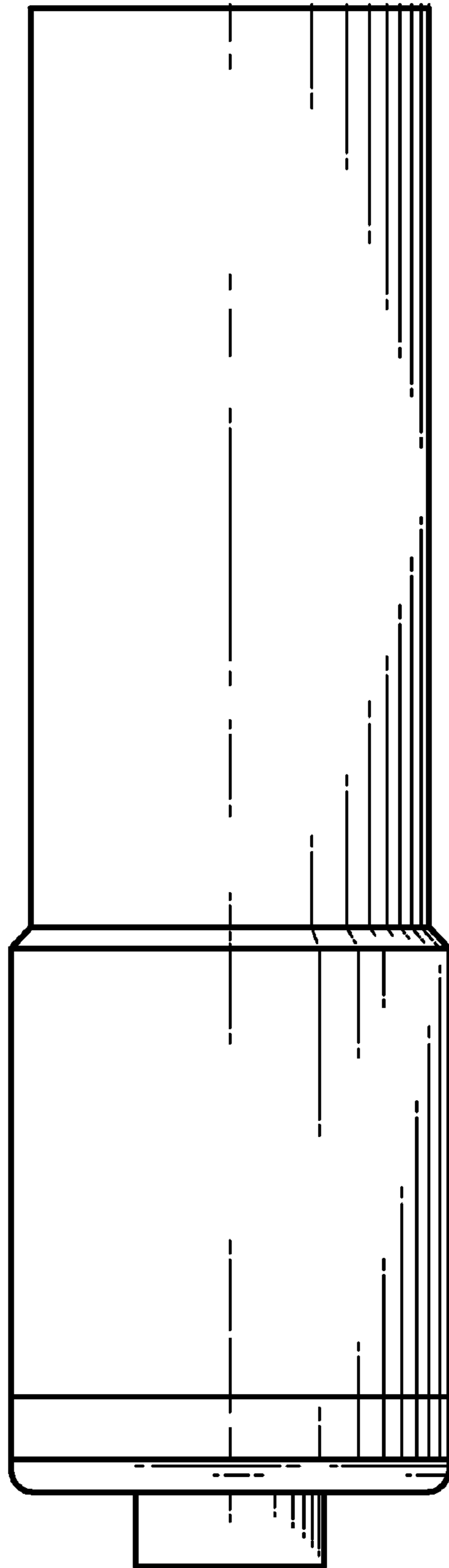


FIG. 3