



US00D716981S

(12) **United States Design Patent**  
**Hawthorne et al.**

(10) **Patent No.:** **US D716,981 S**  
(45) **Date of Patent:** **\*\* Nov. 4, 2014**

(54) **ARMORED LIGHT MOUNT FOR STRIKING TOOL**

**DESCRIPTION**

(71) Applicants: **John R. Hawthorne**, San Diego, CA (US); **Jeremy A. Towne**, La Mesa, CA (US)

(72) Inventors: **John R. Hawthorne**, San Diego, CA (US); **Jeremy A. Towne**, La Mesa, CA (US)

(\*\*) Term: **14 Years**

(21) Appl. No.: **29/450,387**

(22) Filed: **Mar. 18, 2013**

(51) **LOC (10) Cl.** ..... **26-02**

(52) **U.S. Cl.**  
USPC ..... **D26/36; D8/71; D26/49**

(58) **Field of Classification Search**  
USPC ..... D8/14, 31, 47, 76, 80, 81, 88, 89, 105, D8/107; D26/37, 38, 40, 41, 43, 44, 45, D26/46, 48-50; 7/166, 167; 81/489; 254/18, 254/21, 25, 129-131

See application file for complete search history.

(56) **References Cited**

U.S. PATENT DOCUMENTS

4,799,375	A *	1/1989	Lally	73/12.09
D450,557	S *	11/2001	McCalla et al.	D8/107
6,996,886	B1 *	2/2006	Rinner	29/434
D521,667	S *	5/2006	Chean	D26/37
D524,468	S *	7/2006	Chean	D26/37

(Continued)

*Primary Examiner* — Philip S Hyder

*Assistant Examiner* — Darlington Ly

(74) *Attorney, Agent, or Firm* — Richard D. Clarke

(57) **CLAIM**

We claim the ornamental design for an armored light mount for striking tool, as shown and described.

FIG. 1 is a front, side and bottom perspective view of the armored light mount for striking tool shown in place on a welding slag hammer;

FIG. 2 is a left side elevation view of the armored light mount for striking tool shown in place on a welding slag hammer;

FIG. 3 is a front view of the armored light mount for striking tool shown in place on a welding slag hammer;

FIG. 4 is a right side elevation view of the armored light mount for striking tool shown in place on a welding slag hammer;

FIG. 5 is a rear view of the armored light mount for striking tool shown in place on a welding slag hammer;

FIG. 6 is a top plan view of the armored light mount for striking tool shown in place on a welding slag hammer;

FIG. 7 is a bottom view of the armored light mount for striking tool shown in place on a welding slag hammer;

FIG. 8 is a side elevation view of the armored light mount for striking tool, shown in place on the top of a welding slag hammer;

FIG. 9 is a side elevation view of the armored light mount for striking tool, shown in place mounted on the side a welding slag hammer with a removable mount;

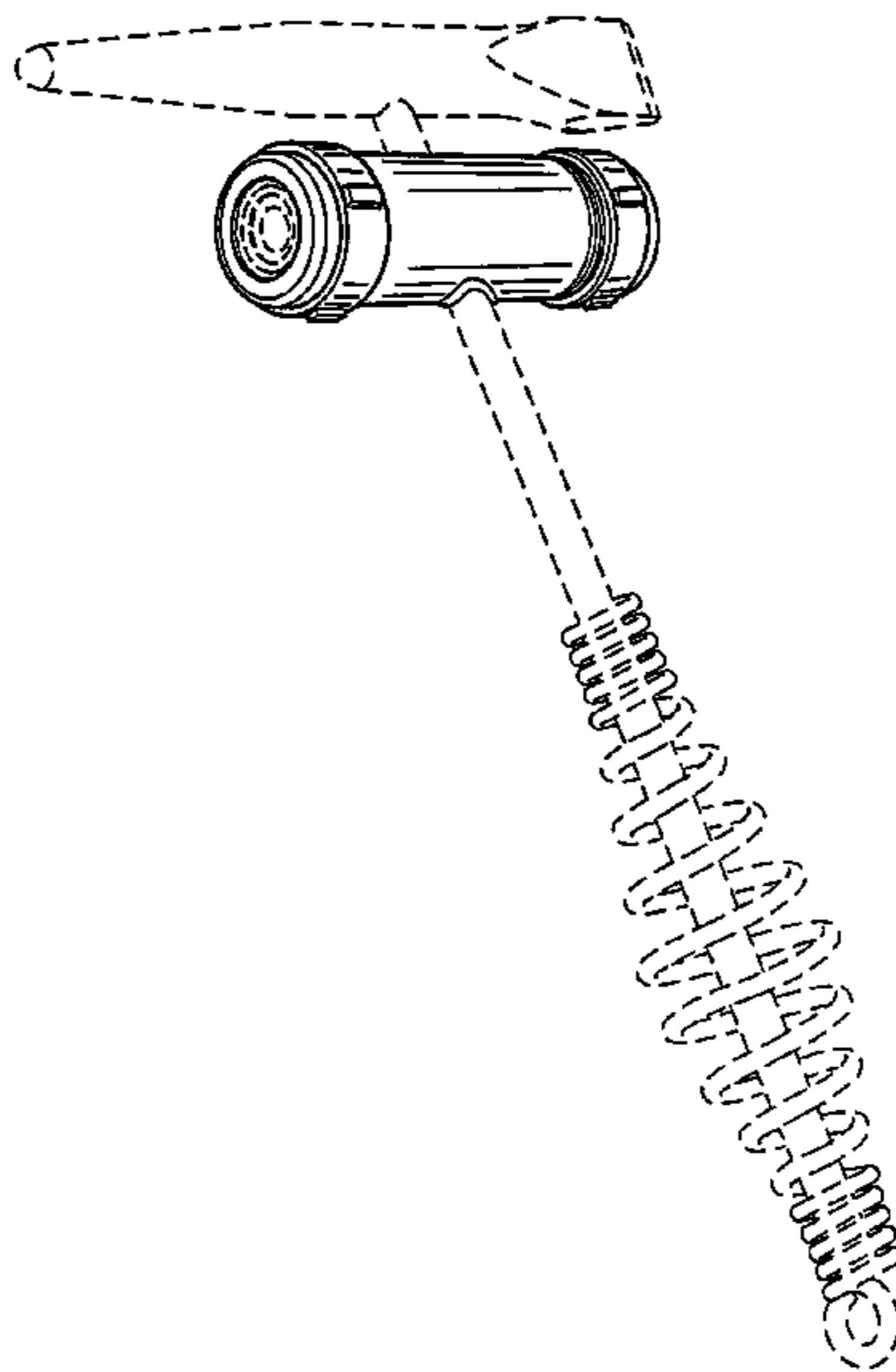
FIG. 10 is a side elevation view of the armored light mount for striking tool, shown in place on a removable mount;

FIG. 11 is a side elevation view of the armored light mount for striking tool, shown in place mounted on a claw hammer, using the removable mount shown in FIG. 10; and,

FIG. 12 is a side elevation view of the armored light mount for striking tool, shown in place mounted on a ball-peen hammer, using the removable mount shown in FIG. 10.

The broken lines shown in the drawings illustrate environmental structure for the armored light mount for striking tool that forms no part of the claimed design.

**1 Claim, 4 Drawing Sheets**



(56)

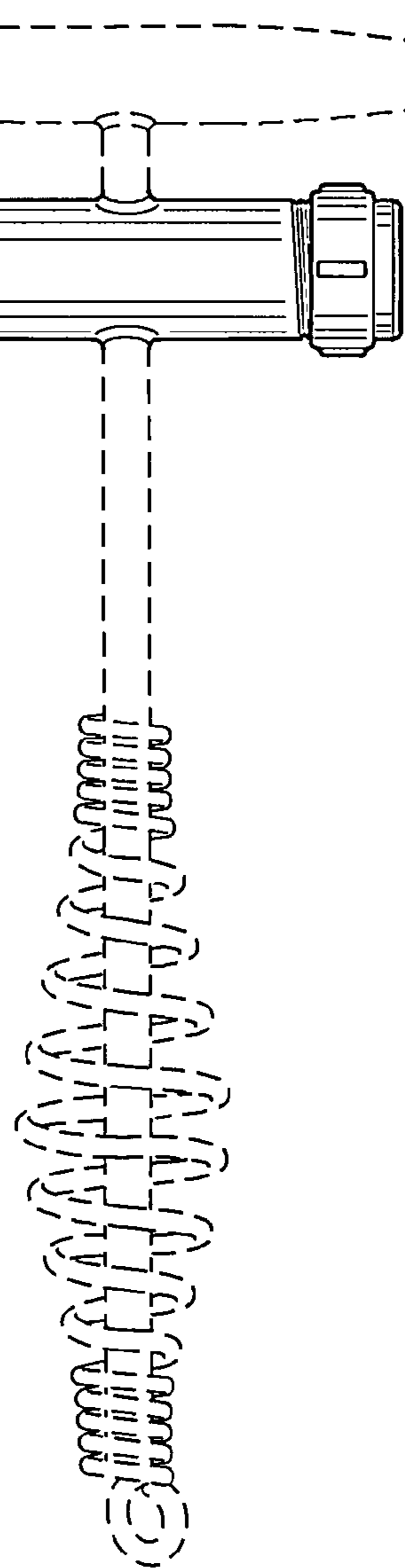
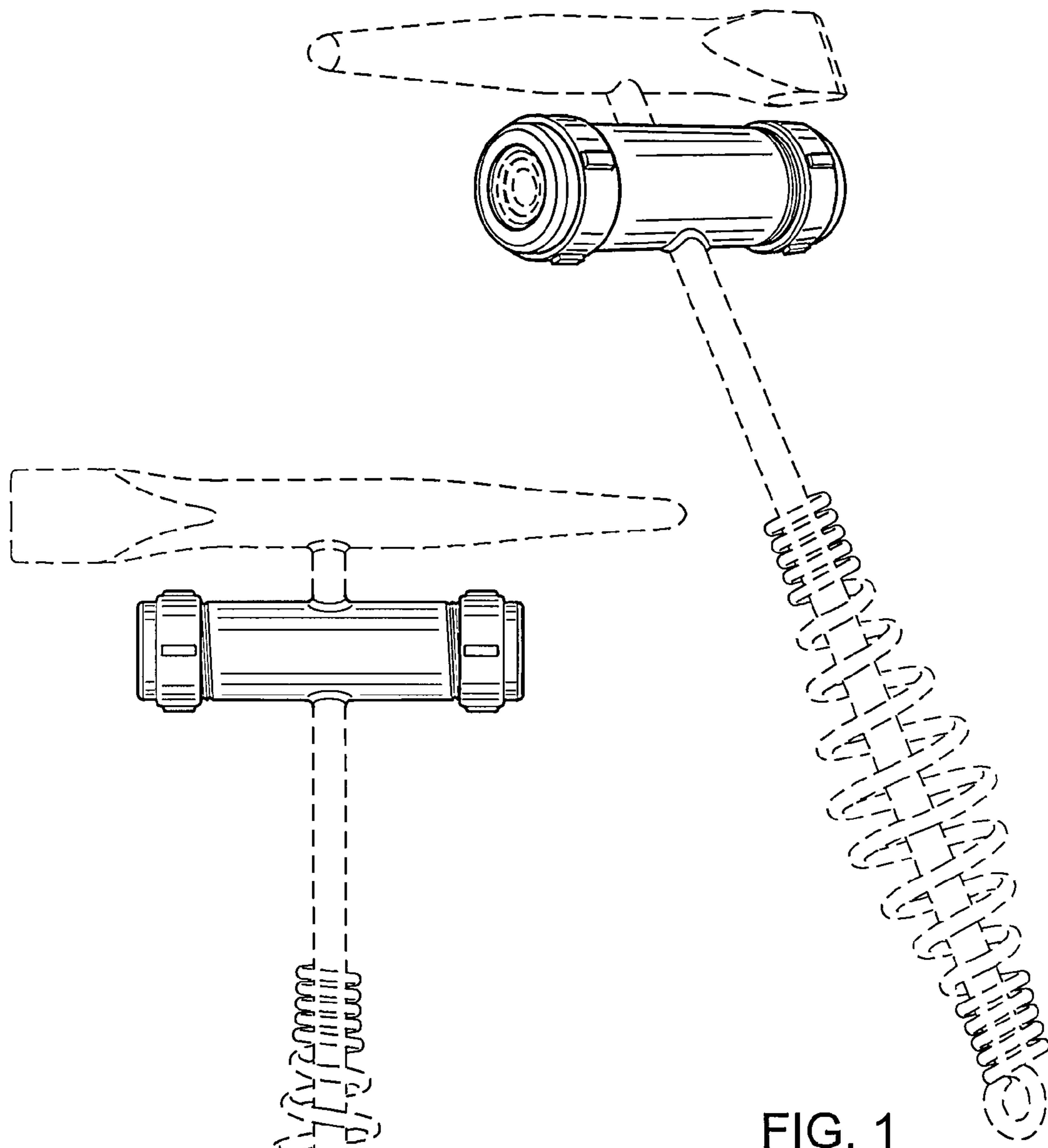
**References Cited**

U.S. PATENT DOCUMENTS

D526,730 S \* 8/2006 Galli ..... D26/37  
D544,116 S \* 6/2007 Wai ..... D26/37  
D557,839 S \* 12/2007 Shiu ..... D26/37

D565,213 S \* 3/2008 Chan ..... D26/37  
D567,415 S \* 4/2008 Shiu ..... D26/37  
D580,730 S \* 11/2008 Gao ..... D8/107  
D596,328 S \* 7/2009 Shiu ..... D26/49  
D603,990 S \* 11/2009 Brown et al. .... D26/49

\* cited by examiner



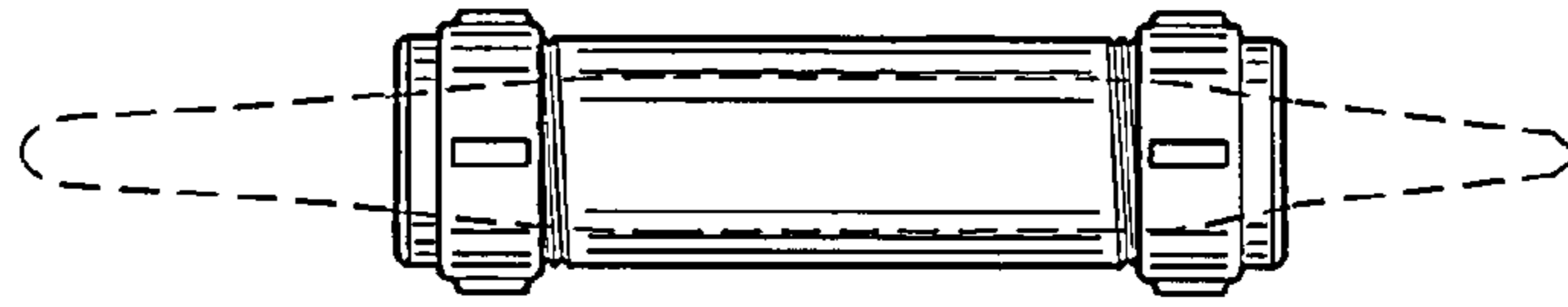


FIG. 6

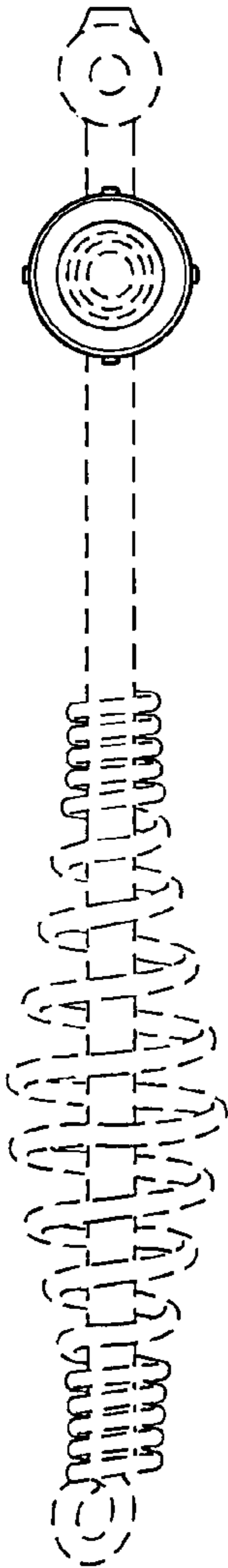


FIG. 3

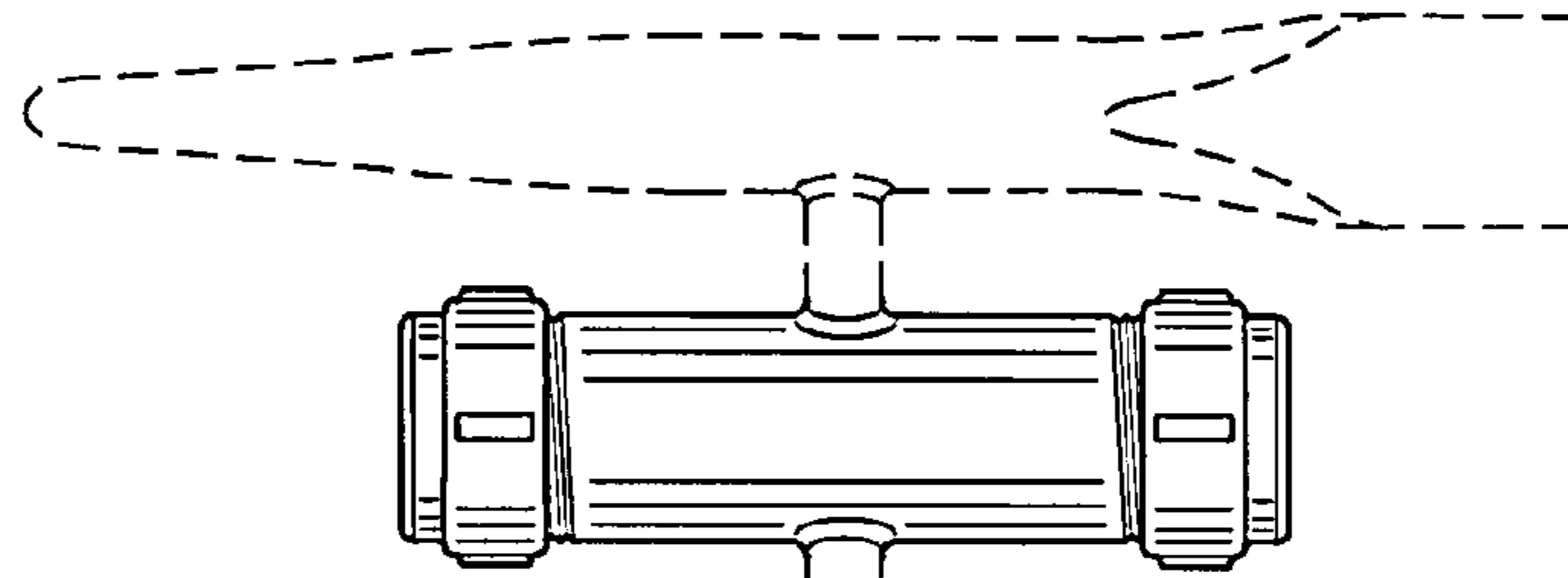


FIG. 4

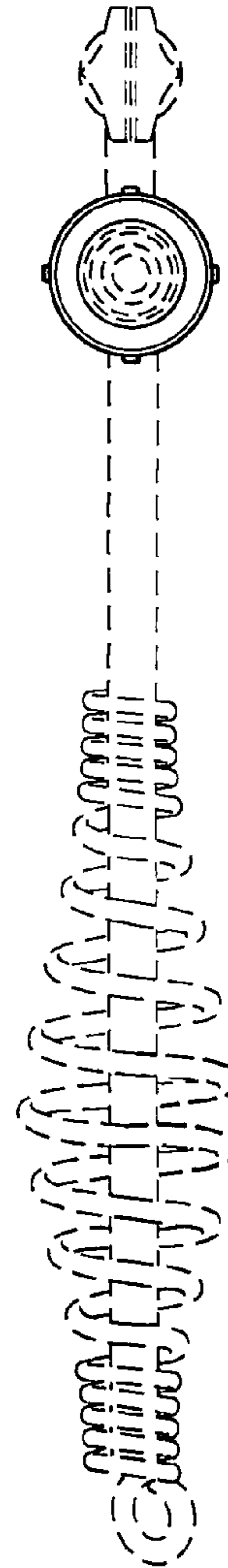


FIG. 5

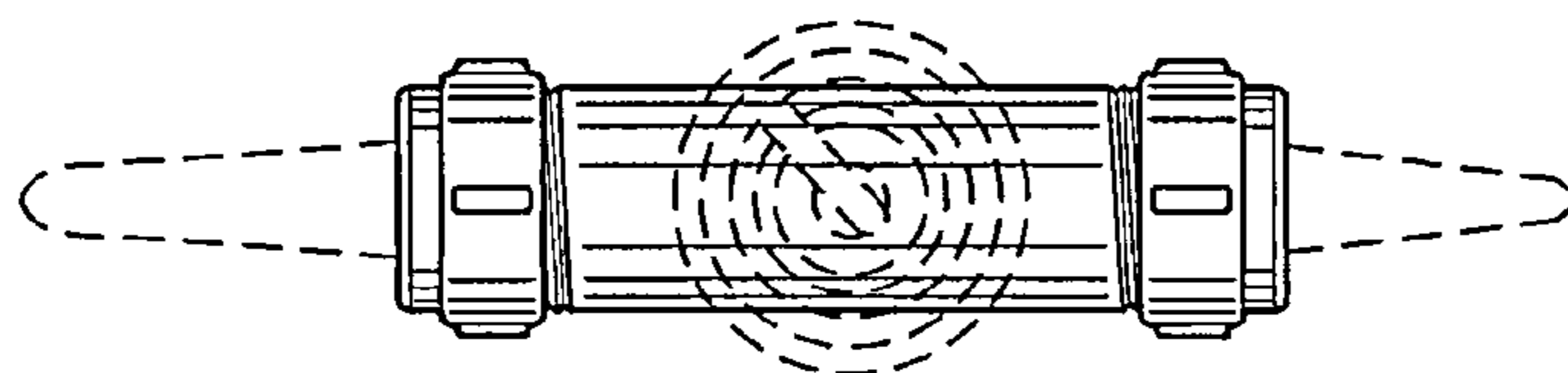


FIG. 7

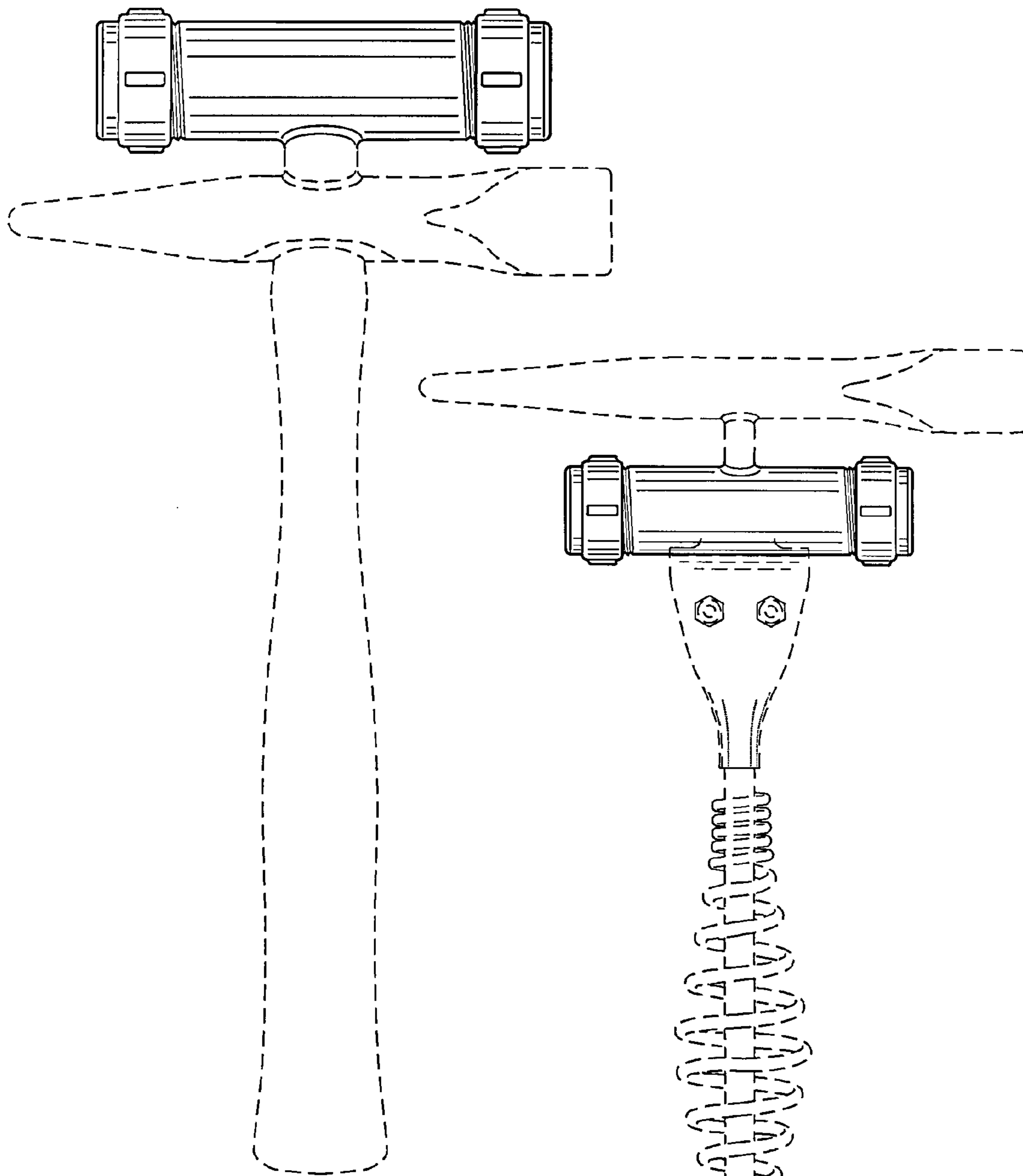


FIG. 8

FIG. 9

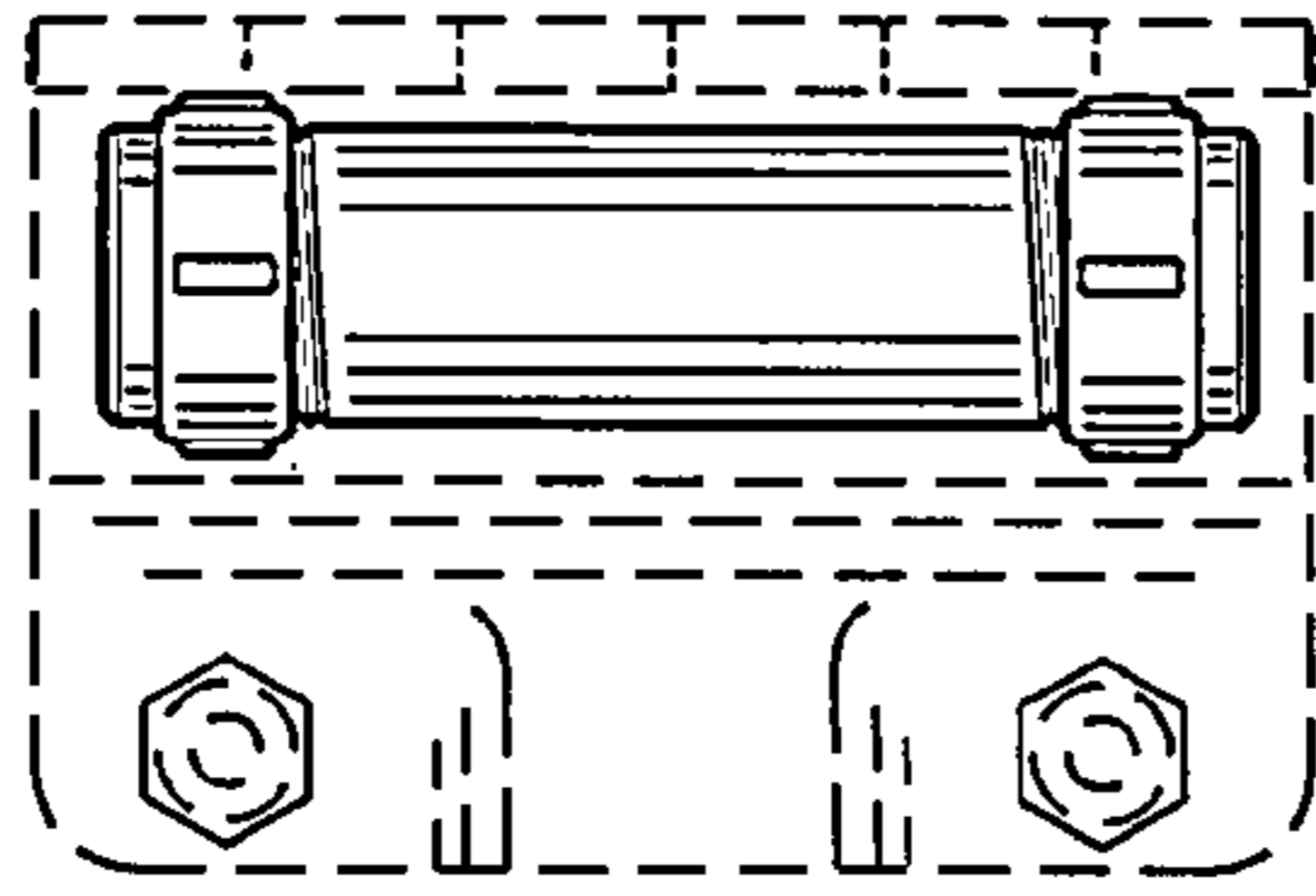


FIG. 10

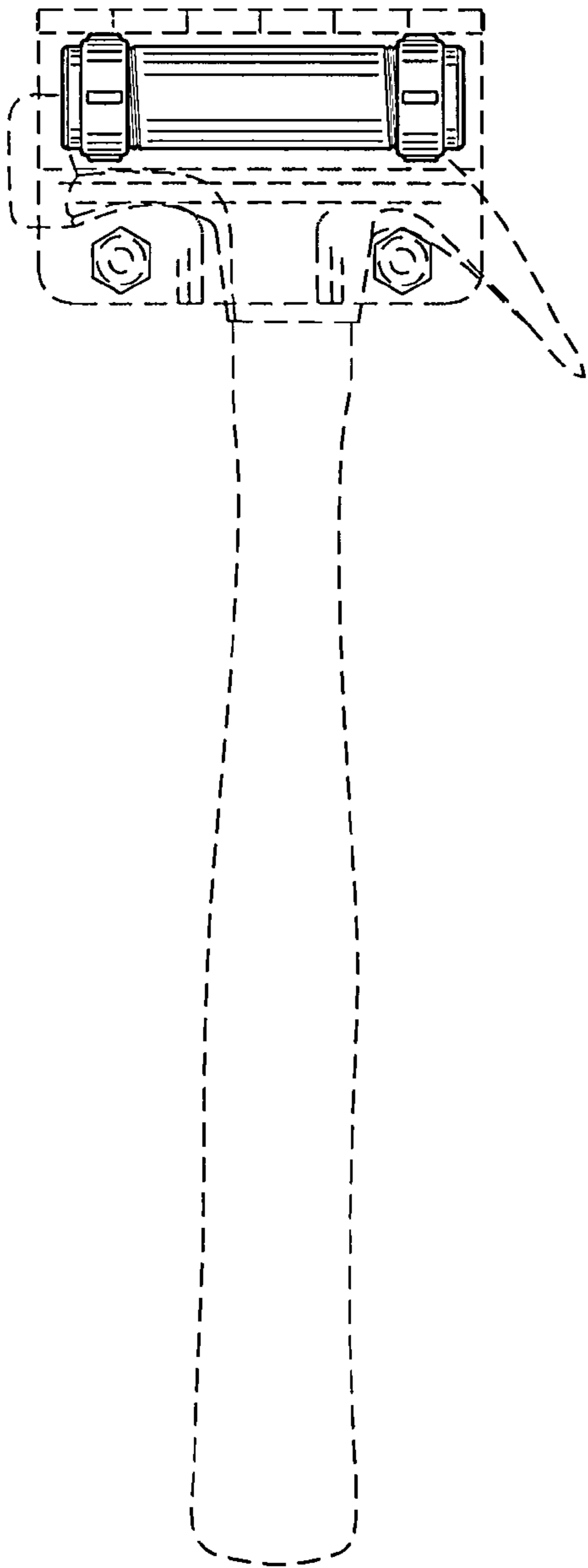


FIG. 11

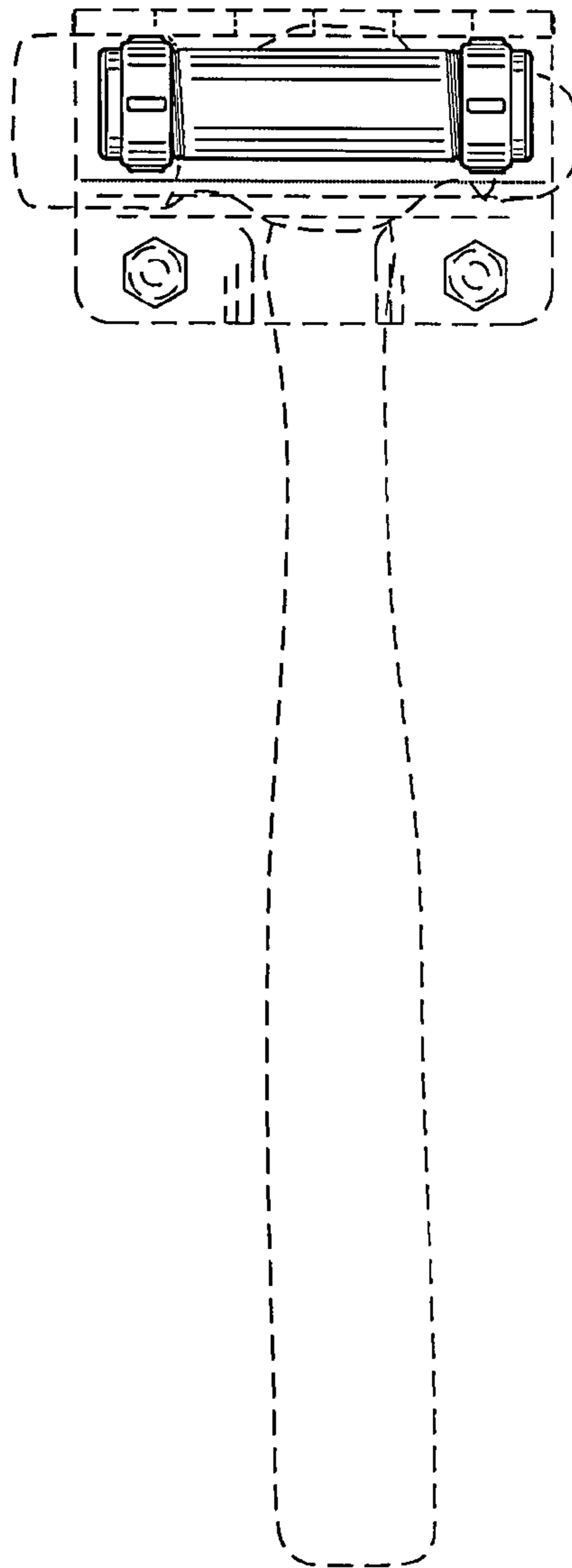


FIG. 12