



US00D716979S

(12) **United States Design Patent**
Selvaag

(10) **Patent No.:** **US D716,979 S**
(45) **Date of Patent:** **** Nov. 4, 2014**

(54) **TAILLIGHT FOR A VEHICLE**

FOREIGN PATENT DOCUMENTS

(71) Applicant: **Bayerische Motoren Werke Aktiengesellschaft, Munich (DE)**

WO DM/069236 2/2008
WO DM/072624 5/2010
WO DM/076561 2/2012
WO DM/079908 7/2013

(72) Inventor: **Per Ivar Selvaag, Fogn (NO)**

* cited by examiner

(73) Assignee: **Bayerische Motoren Werke Aktiengesellschaft, Munich (DE)**

Primary Examiner — Marcus Jackson

(**) Term: **14 Years**

(74) *Attorney, Agent, or Firm* — Crowell & Moring LLP

(21) Appl. No.: **29/456,890**

(57) **CLAIM**

(22) Filed: **Jun. 5, 2013**

The ornamental design for a taillight for a vehicle, as shown and described.

(30) **Foreign Application Priority Data**

Dec. 6, 2012 (DE) 40 2012 101 056

DESCRIPTION

(51) **LOC (10) Cl.** **26-06**

(52) **U.S. Cl.**
USPC **D26/28**

(58) **Field of Classification Search**
USPC D26/28-36; 362/459-468, 475-478,
362/485-487
See application file for complete search history.

This application contains subject matter related to the following co-pending U.S. design patent applications: Application Ser. No. 29/456,880, filed herewith and entitled “Vehicle, Toy, and/or Replicas Thereof”; Application Ser. No. 29/456,881, filed herewith and entitled “Vehicle, Toy, and/or Replicas Thereof”; and Application Ser. No. 29/456,882, filed herewith and entitled “Vehicle, Toy, and/or Replicas Thereof”.

(56) **References Cited**

U.S. PATENT DOCUMENTS

D523,976 S * 6/2006 Pfeiffer et al. D26/28
D528,680 S * 9/2006 Oda D26/28
D538,452 S * 3/2007 Pfeiffer D26/28
D539,450 S * 3/2007 Pfeiffer D26/28
D540,480 S * 4/2007 Pfeiffer D26/28
D552,769 S * 10/2007 Leclercq D26/28
D581,560 S 11/2008 Leclercq
D642,304 S 7/2011 Huet
D686,358 S 7/2013 Morgenstern

FIG. 1 is a front view of a taillight for a vehicle according to the design;
FIG. 2 is a left, front perspective view thereof;
FIG. 3 is a right, front perspective view thereof;
FIG. 4 is a left side view thereof;
FIG. 5 is a right side view thereof;
FIG. 6 is a top view thereof;
FIG. 7 is a bottom view thereof; and,
FIG. 8 is a rear view thereof.

1 Claim, 8 Drawing Sheets

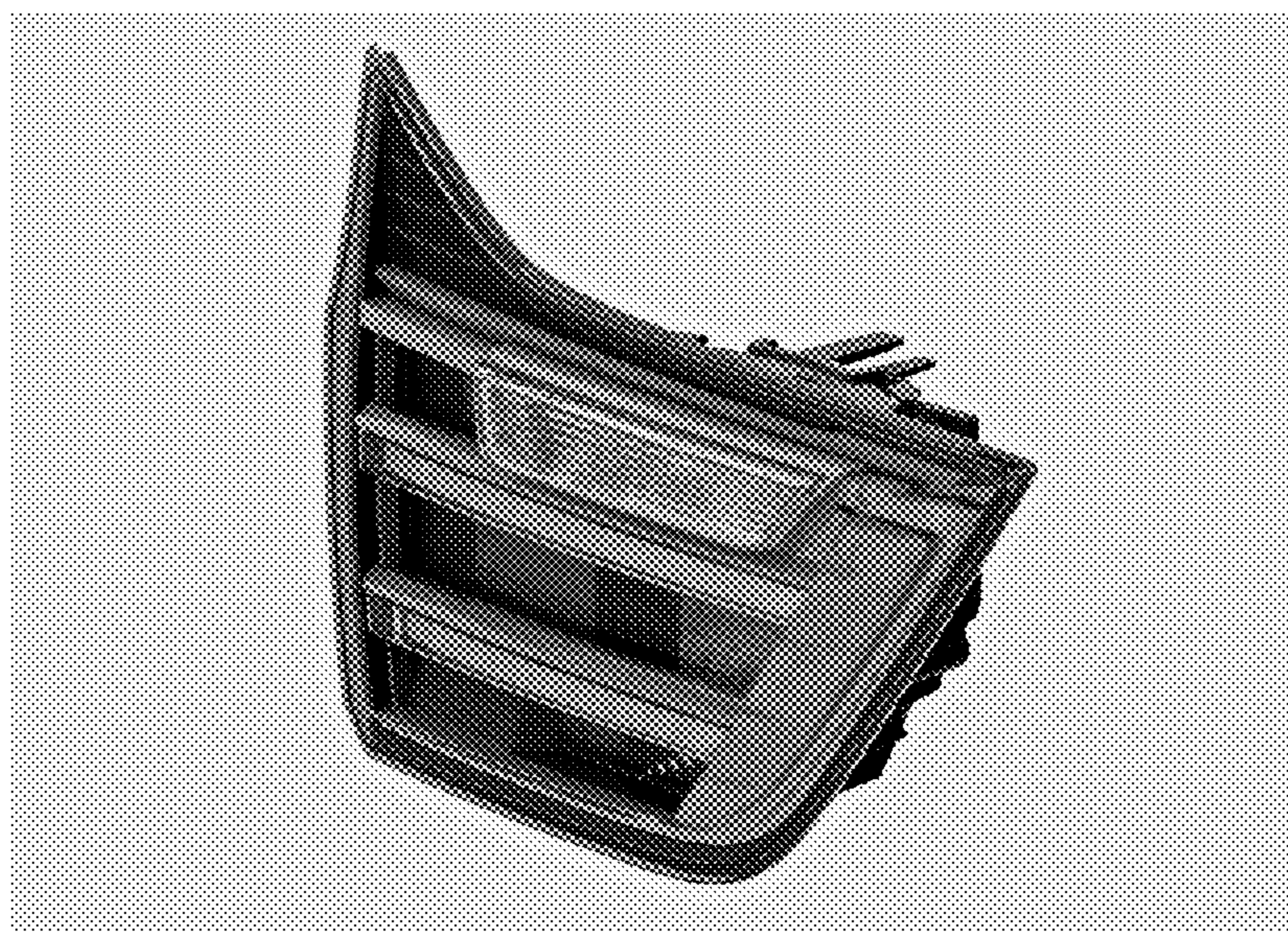




Fig. 1



Fig. 2



Fig. 3



Fig. 4

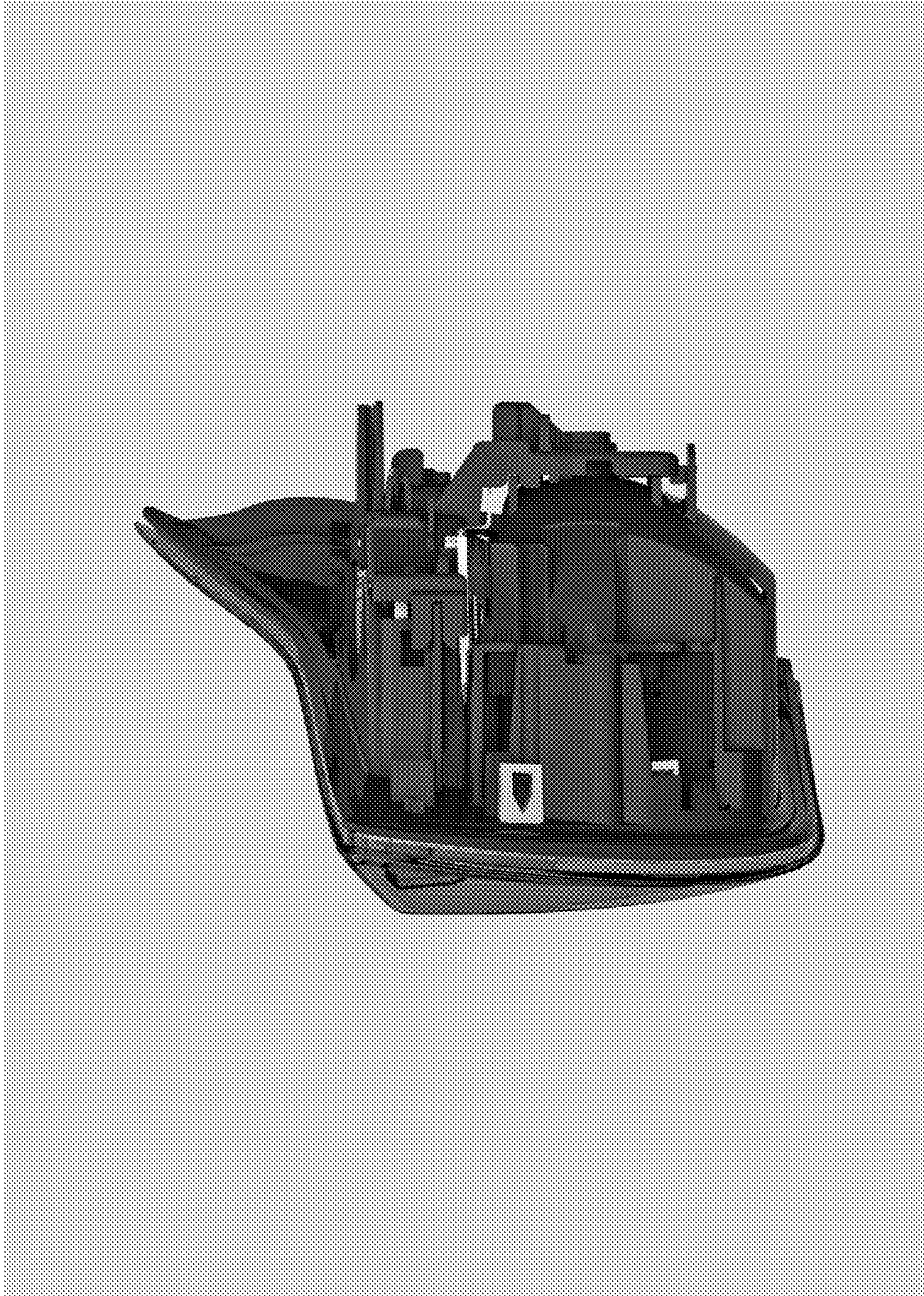


Fig. 5

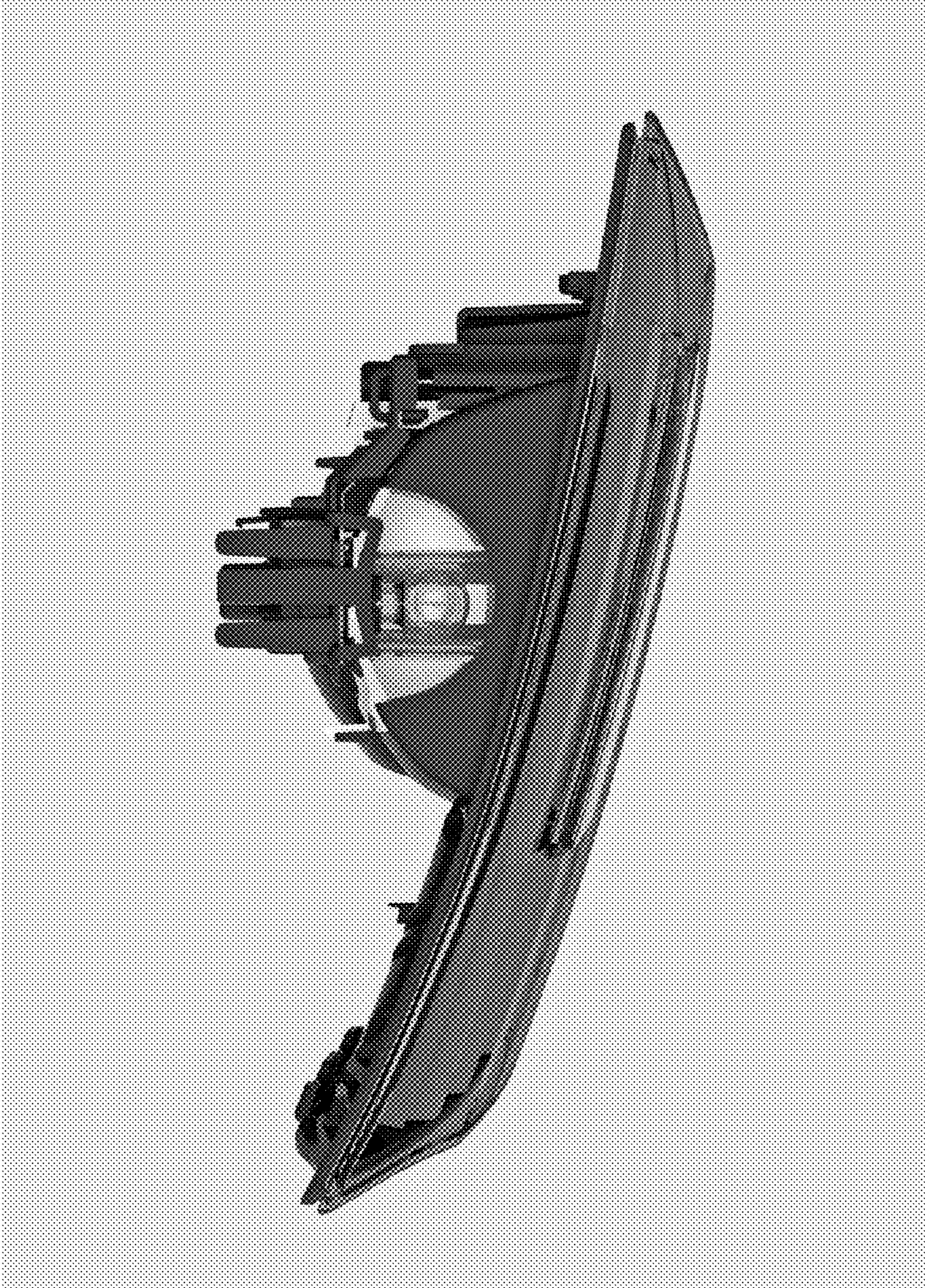


Fig. 6



Fig. 7

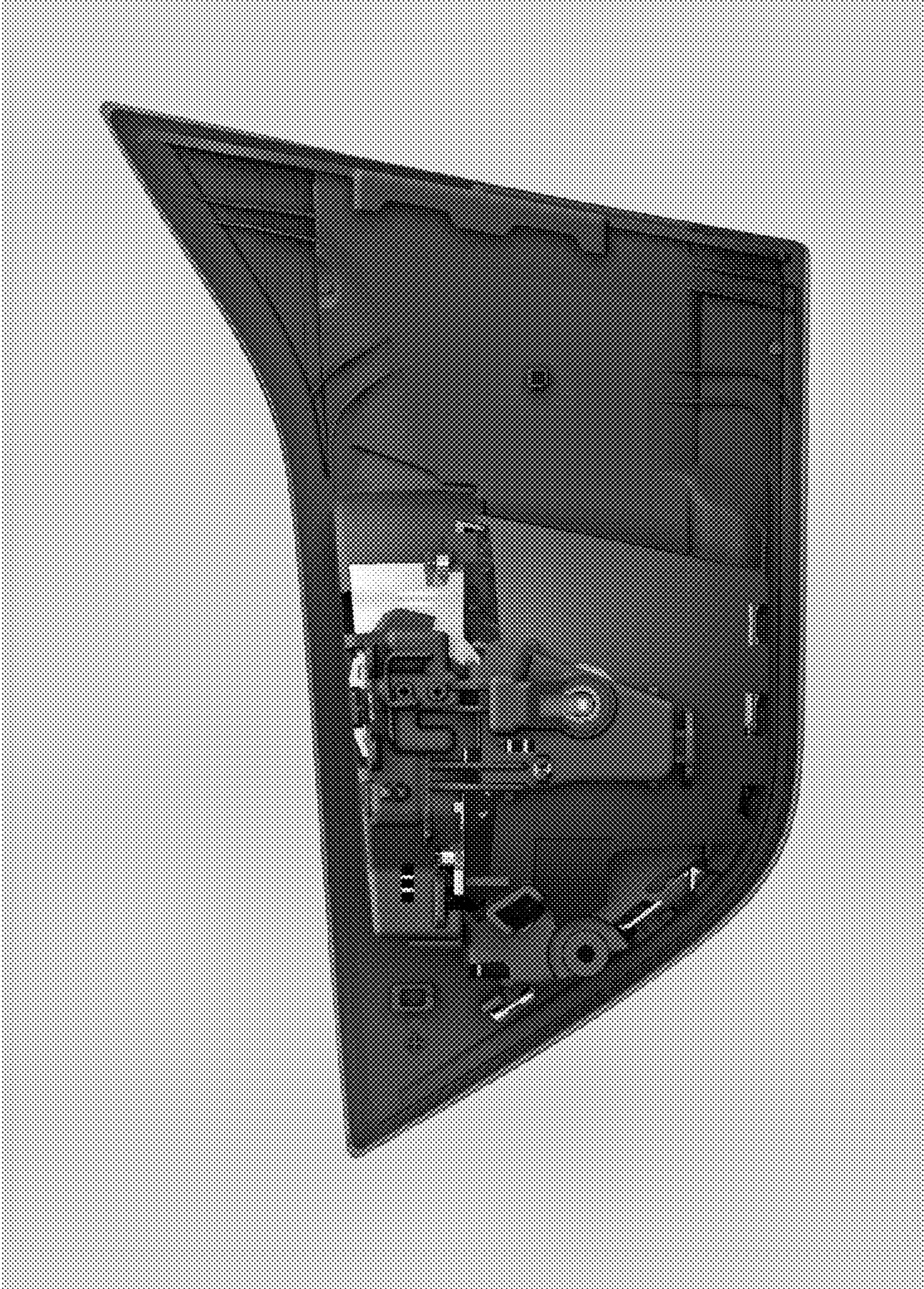


Fig. 8