



US00D716978S

(12) **United States Design Patent**
Selvaag

(10) **Patent No.:** **US D716,978 S**
(45) **Date of Patent:** **** Nov. 4, 2014**

(54) **TAILLIGHT FOR A VEHICLE**

FOREIGN PATENT DOCUMENTS

(71) Applicant: **Bayerische Motoren Werke Aktiengesellschaft, Munich (DE)**

WO DM/065864 3/2005
WO DM/072624 5/2010
WO DM/076561 2/2012
WO DM/079908 7/2013

(72) Inventor: **Per Ivar Selvaag, Fogn (NO)**

* cited by examiner

(73) Assignee: **Bayerische Motoren Werke Aktiengesellschaft, Munich (DE)**

Primary Examiner — Marcus Jackson

(**) Term: **14 Years**

(74) *Attorney, Agent, or Firm* — Crowell & Moring LLP

(21) Appl. No.: **29/456,889**

(57) **CLAIM**

(22) Filed: **Jun. 5, 2013**

The ornamental design for a taillight for a vehicle, as shown and described.

(30) **Foreign Application Priority Data**

DESCRIPTION

Dec. 6, 2012 (DE) 40 2012 101 056

(51) **LOC (10) Cl.** **26-06**

(52) **U.S. Cl.**
USPC **D26/28**

(58) **Field of Classification Search**
USPC D26/28-36; 362/459-468, 475-478,
362/485-487

See application file for complete search history.

This application contains subject matter related to the following co-pending U.S. design patent applications:

Application Ser. No. 29/456,880, filed herewith and entitled "Vehicle, Toy, and/or Replicas Thereof";

Application Ser. No. 29/456,881, filed herewith and entitled "Vehicle, Toy, and/or Replicas Thereof"; and

Application Ser. No. 29/456,882, filed herewith and entitled "Vehicle, Toy, and/or Replicas Thereof".

FIG. 1 is a front view of a taillight for a vehicle according to the design;

FIG. 2 is a left, front perspective view thereof;

FIG. 3 is a right, front perspective view thereof;

FIG. 4 is a left side view thereof;

FIG. 5 is a right side view thereof;

FIG. 6 is a top view thereof;

FIG. 7 is a bottom view thereof; and,

FIG. 8 is a rear view thereof.

(56) **References Cited**

U.S. PATENT DOCUMENTS

D498,013 S * 11/2004 Pfeiffer D26/28
D523,976 S * 6/2006 Pfeiffer et al. D26/28
D538,452 S * 3/2007 Pfeiffer D26/28
D539,450 S * 3/2007 Pfeiffer D26/28
D549,363 S * 8/2007 Pfeiffer D26/28
D638,962 S 5/2011 Froehlich
D686,357 S 7/2013 Morgenstern

1 Claim, 8 Drawing Sheets





Fig. 1



Fig. 2



Fig. 3

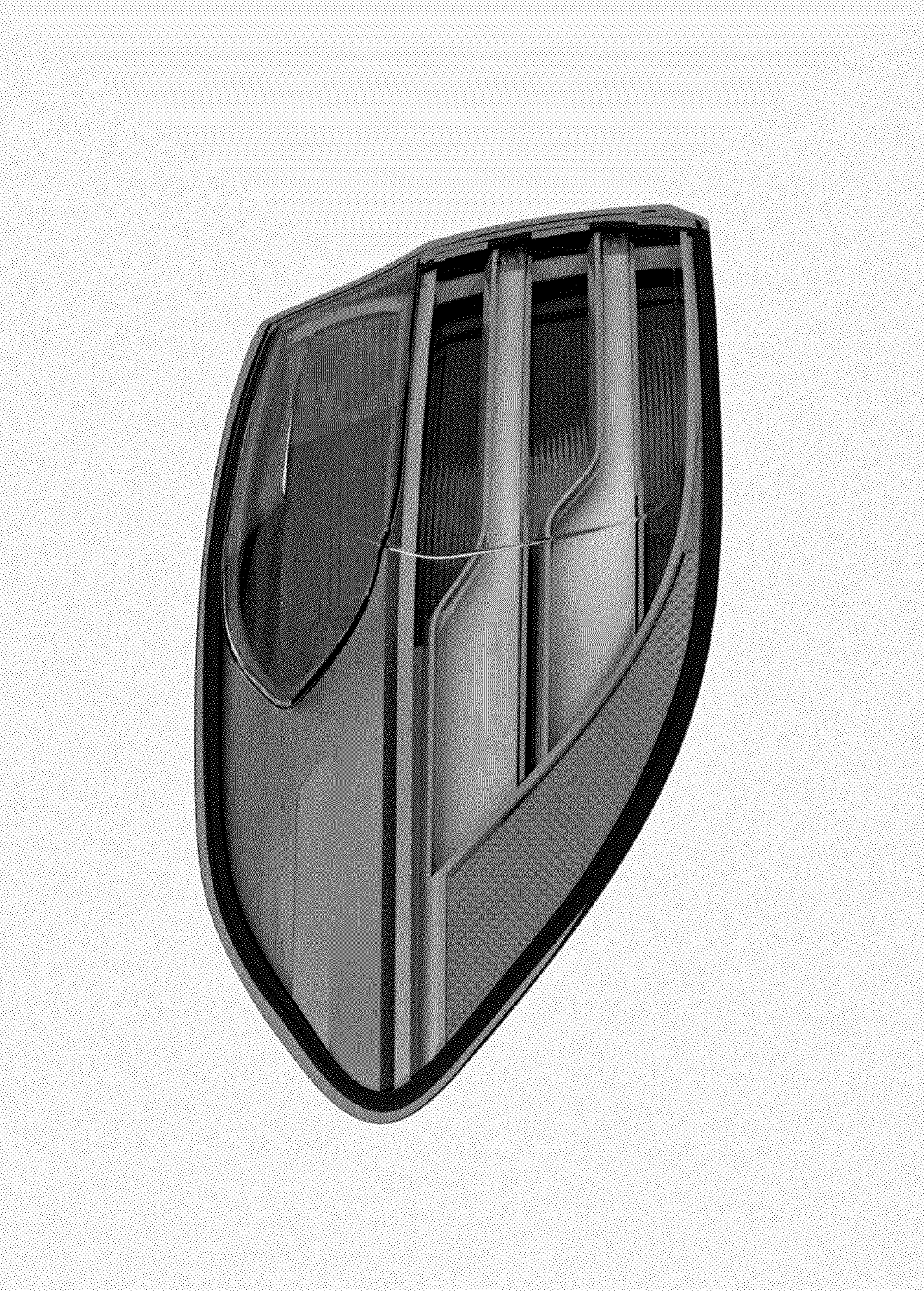


Fig. 4

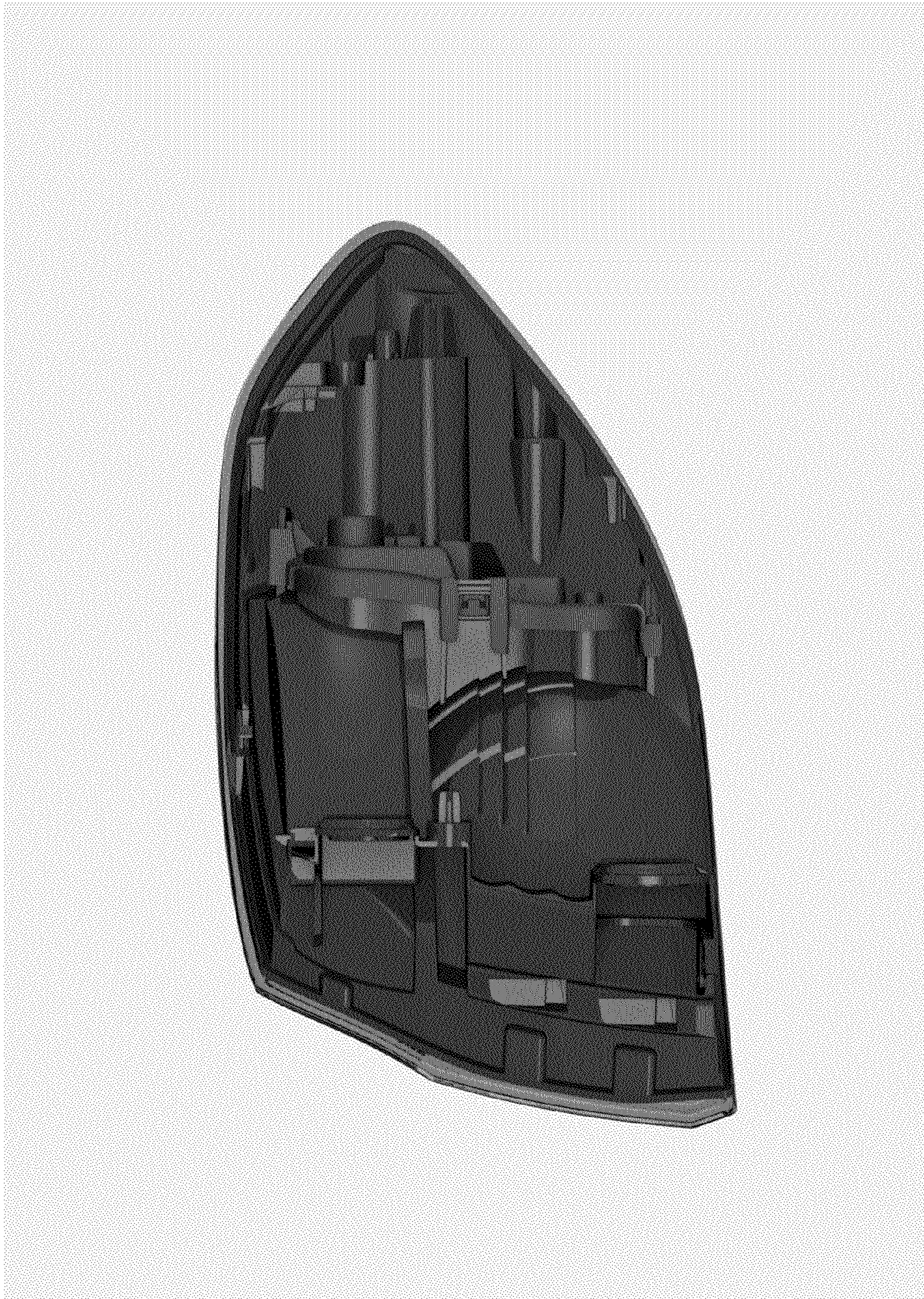


Fig. 5

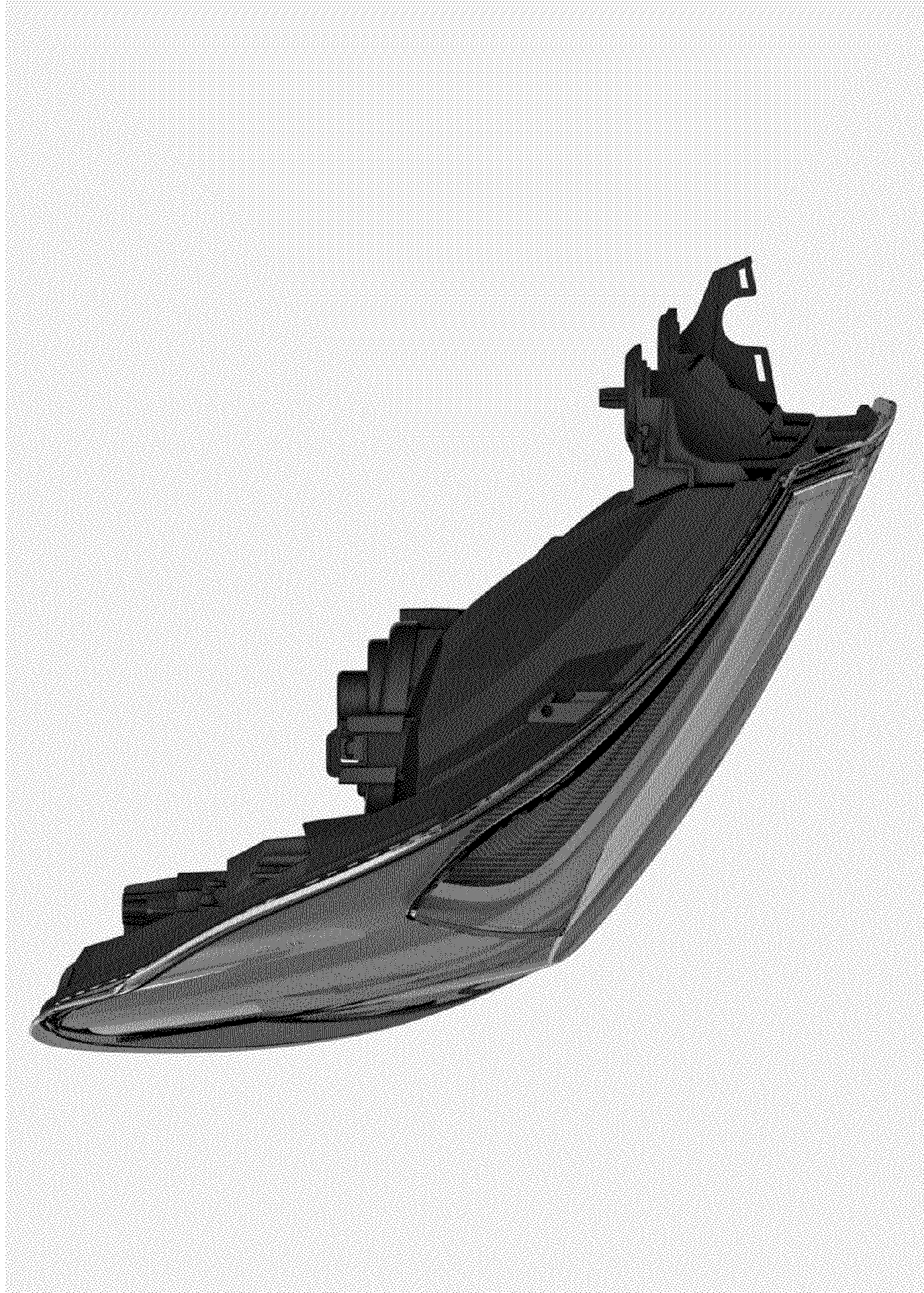


Fig. 6

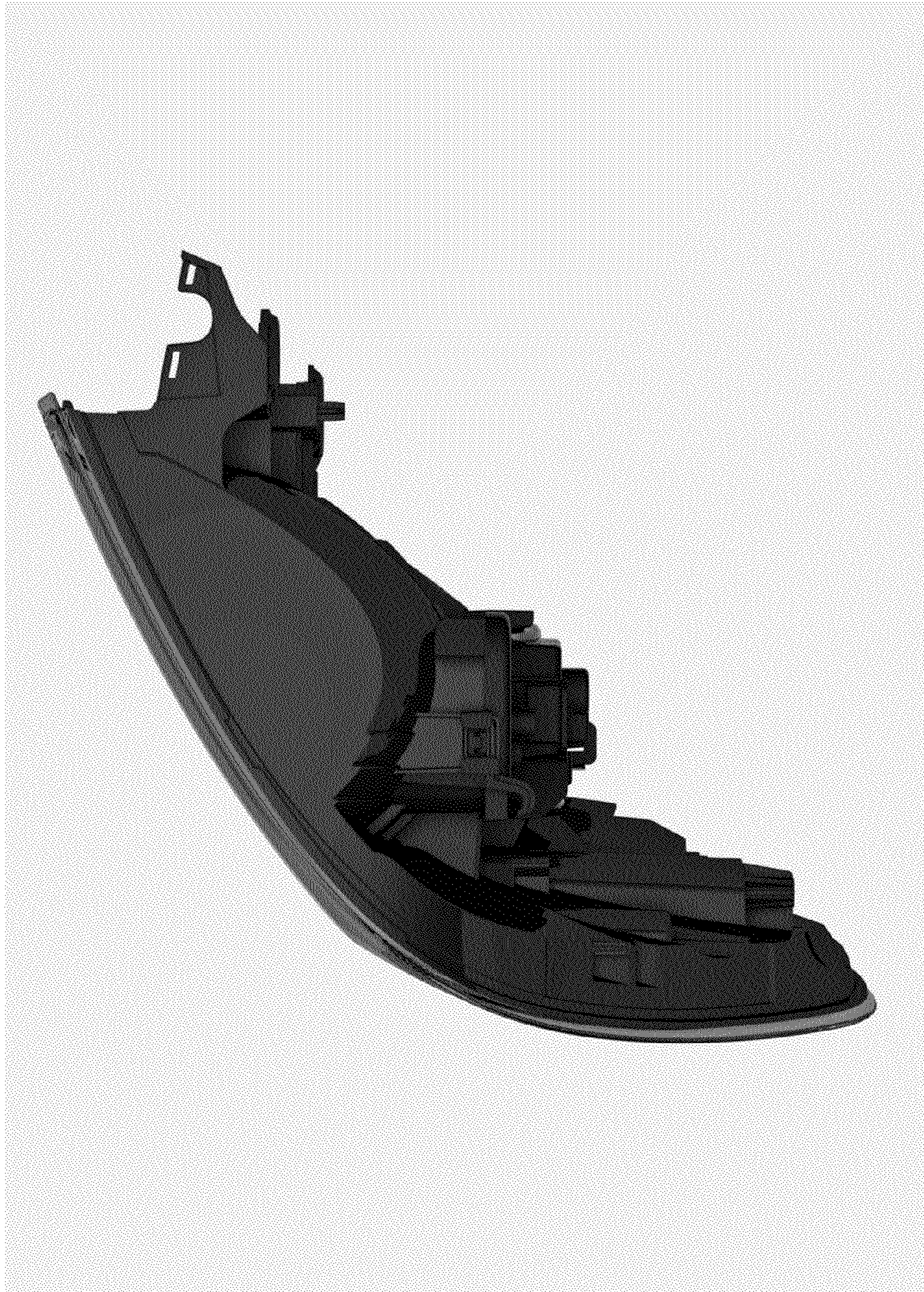


Fig. 7

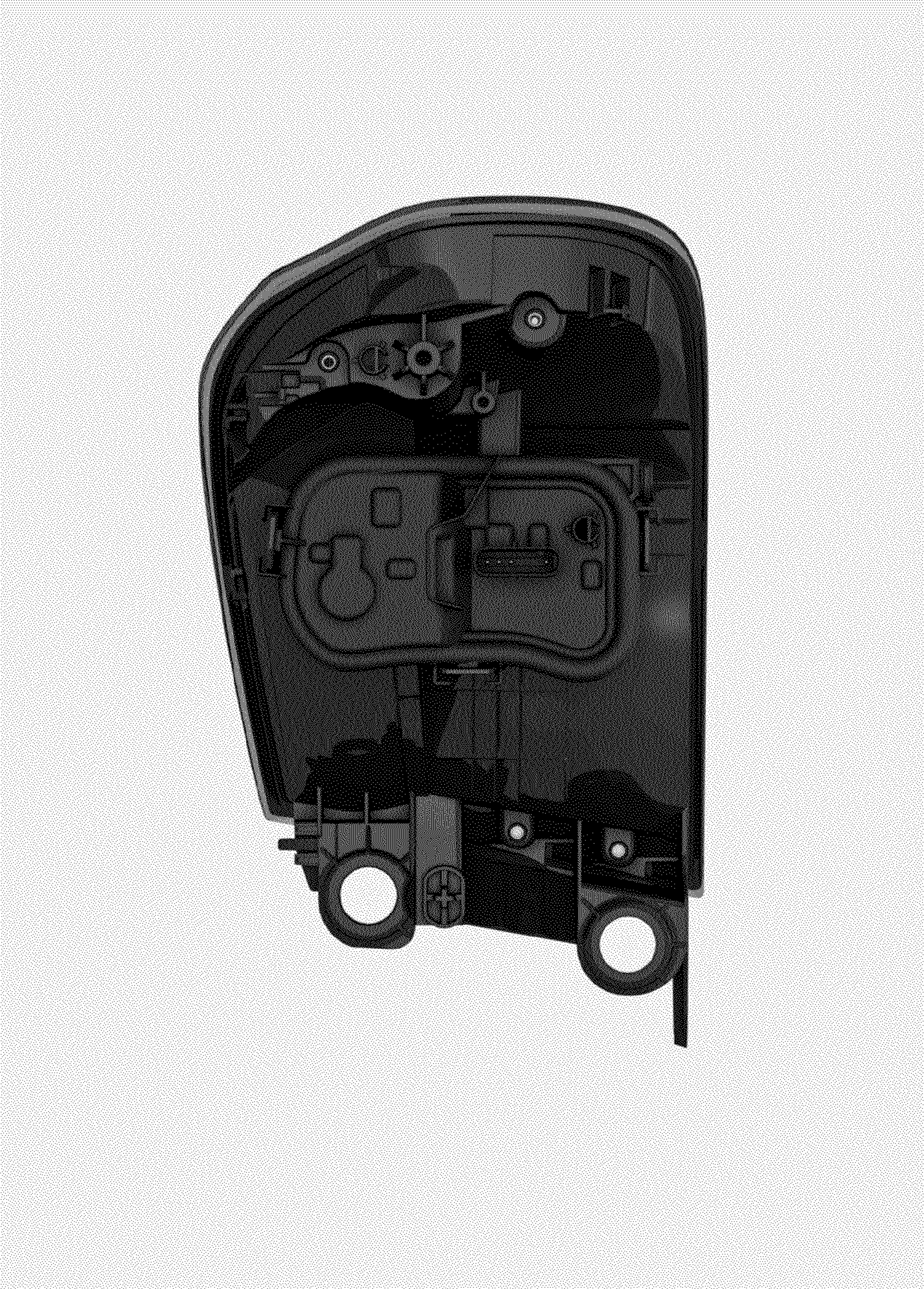


Fig. 8