



US00D716977S

(12) **United States Design Patent**
Nishimoto et al.

(10) **Patent No.:** **US D716,977 S**
(45) **Date of Patent:** **** Nov. 4, 2014**

(54) **FRONT COMBINATION LAMP FOR A MOTOR SCOOTER**

(71) Applicant: **Honda Motor Co., Ltd.**, Tokyo (JP)
(72) Inventors: **Taro Nishimoto**, Wako (JP); **Hirofumi Yaegashi**, Wako (JP); **Fujio Nakamura**, Wako (JP)
(73) Assignee: **Honda Motor Co., Ltd.**, Tokyo (JP)
(**) Term: **14 Years**
(21) Appl. No.: **29/453,817**
(22) Filed: **May 3, 2013**

(30) **Foreign Application Priority Data**
Nov. 6, 2012 (JP) 2012-027052
(51) **LOC (10) Cl.** **26-06**
(52) **U.S. Cl.**
USPC **D26/28**
(58) **Field of Classification Search**
USPC D26/28-36; 362/459-468, 475-478, 362/485-487
See application file for complete search history.

(56) **References Cited**

U.S. PATENT DOCUMENTS

D596,767 S *	7/2009	Idei	D26/28
D600,374 S *	9/2009	Brew et al.	D26/28
D601,728 S *	10/2009	Kogo et al.	D26/28
D605,793 S *	12/2009	Weil	D26/28
D617,021 S *	6/2010	Ishiguri et al.	D26/28
D693,038 S *	11/2013	Kojima et al.	D26/28

* cited by examiner

Primary Examiner — Marcus Jackson

(74) *Attorney, Agent, or Firm* — Birch, Stewart, Kolasch & Birch, LLP

(57) **CLAIM**

The ornamental design for, a front combination lamp for a motor scooter, as shown and described.

DESCRIPTION

FIG. 1 is a first perspective view of a front combination lamp for a motor scooter, showing our new design; FIG. 2 is a front elevation view thereof; FIG. 3 is a top plan view thereof; and, FIG. 4 is a right side elevation view thereof. The broken lines are for illustrative purposes only and form no part of the claimed design.

1 Claim, 4 Drawing Sheets

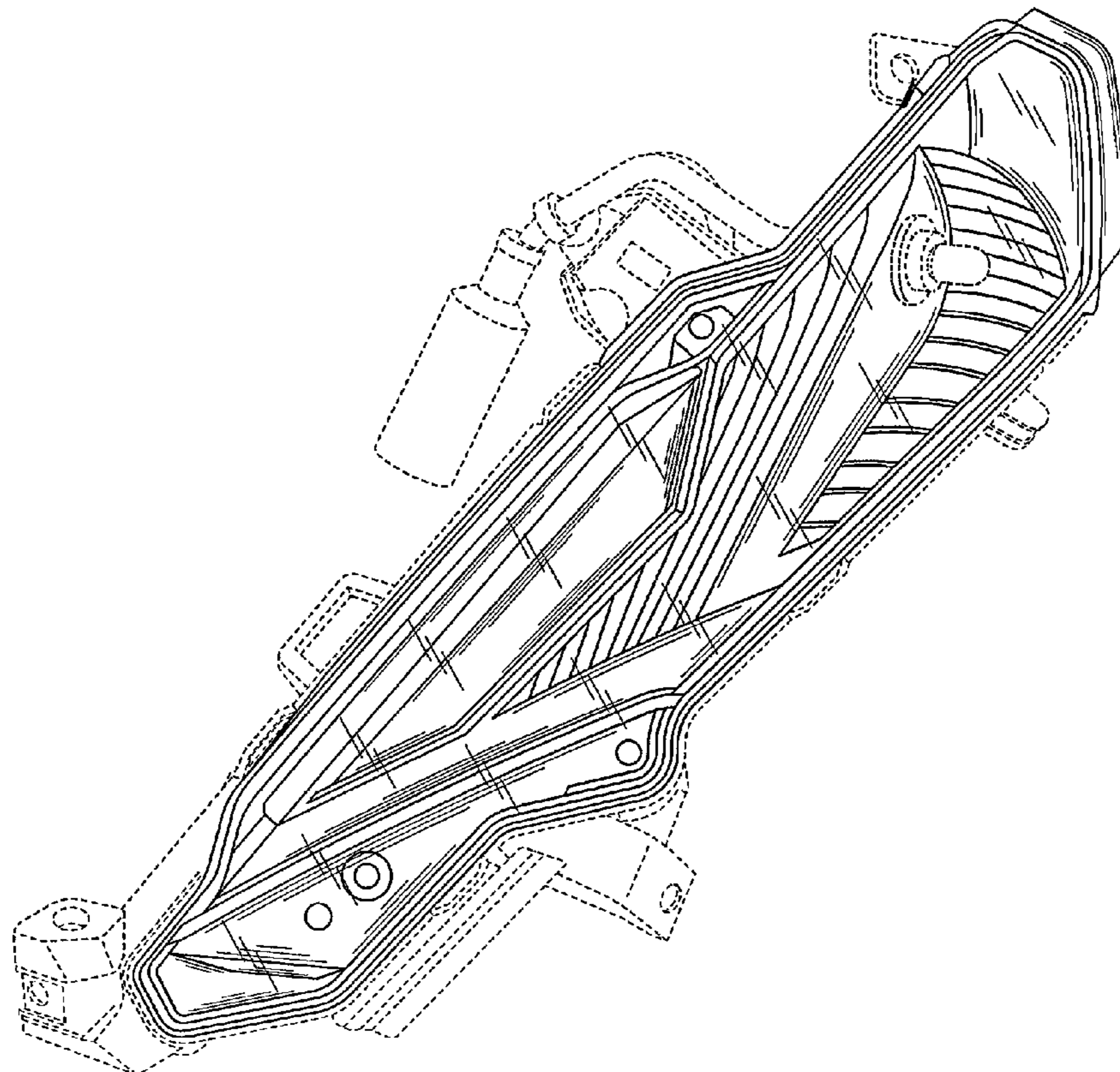


Fig. 1

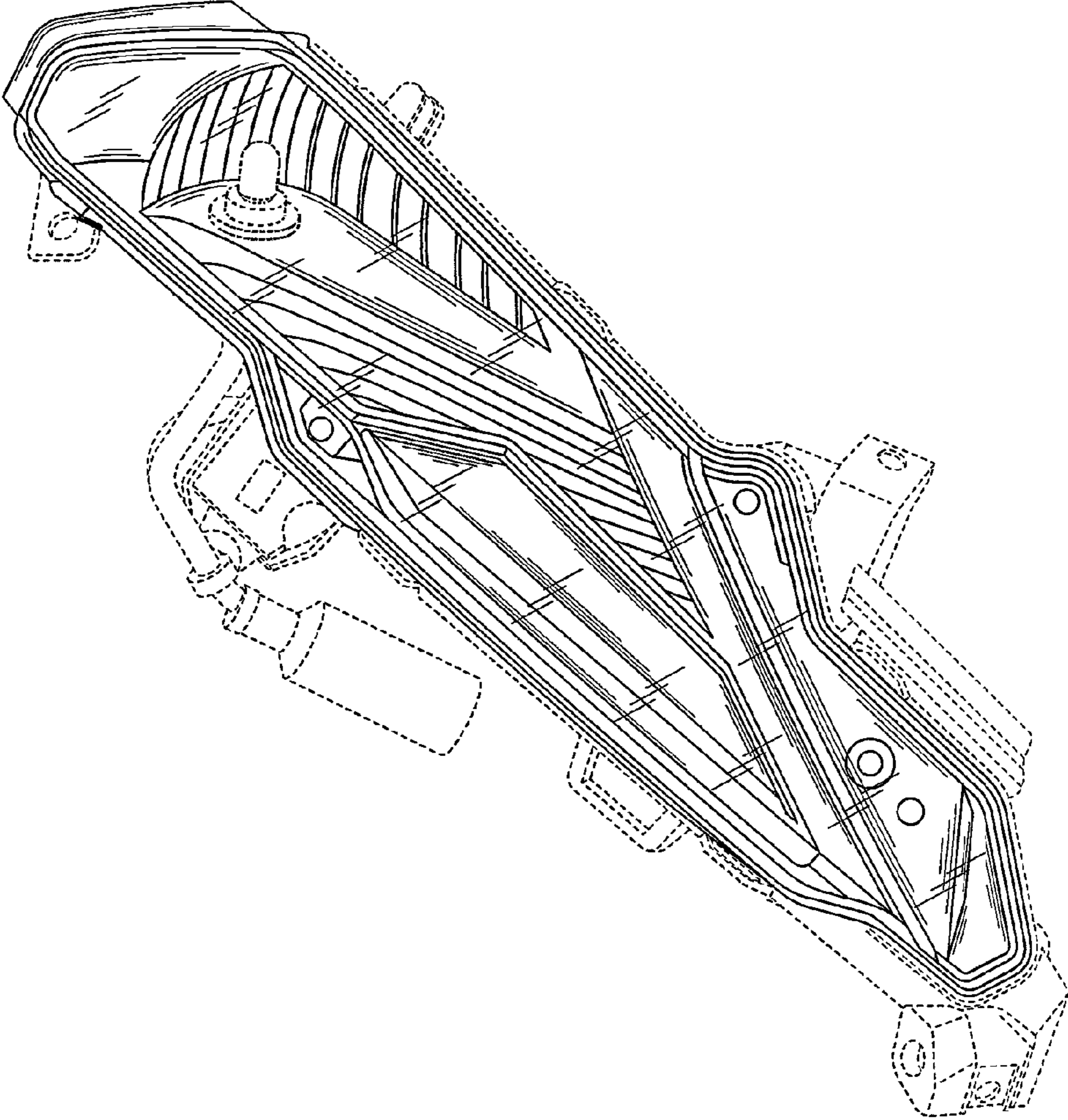
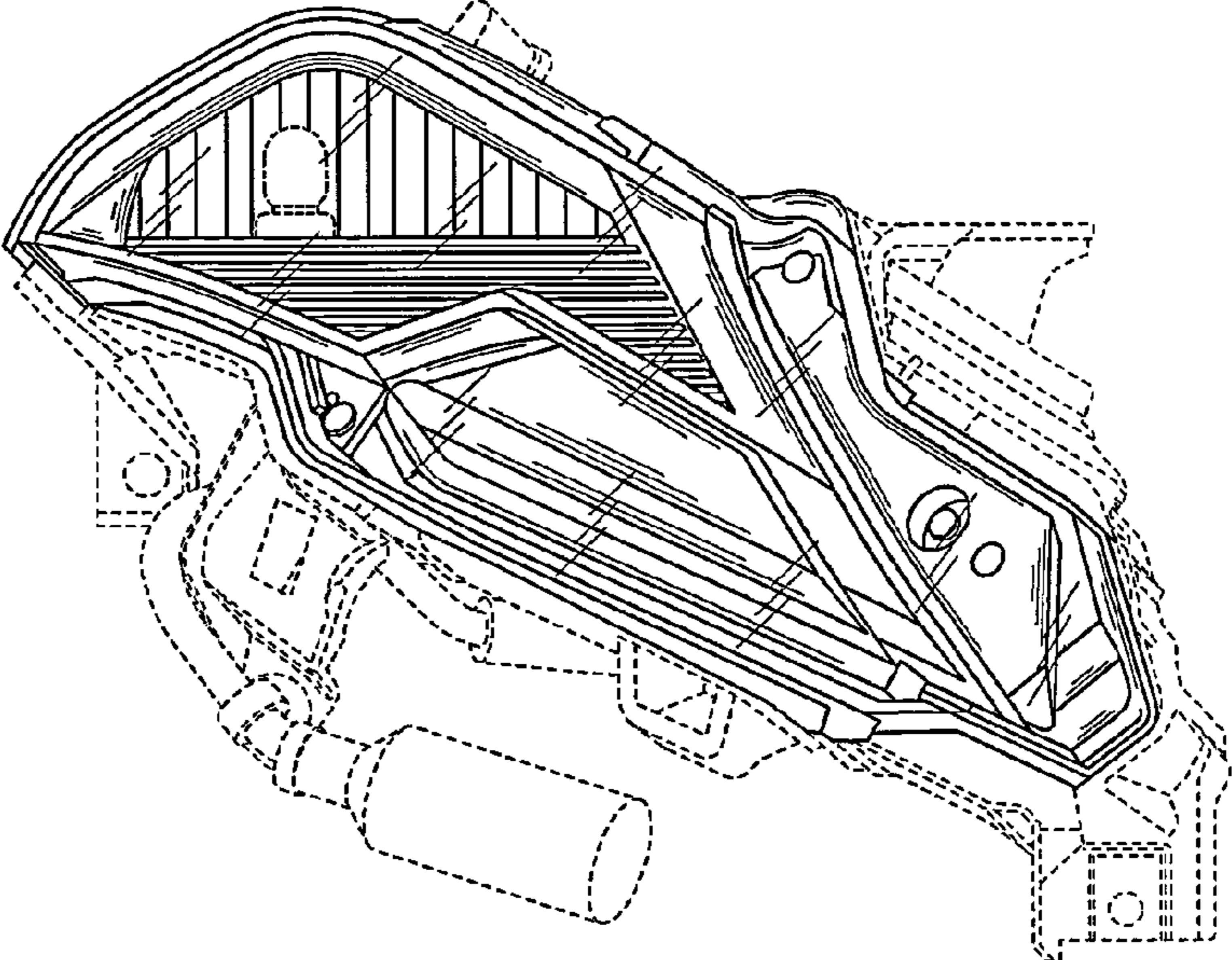


Fig.2



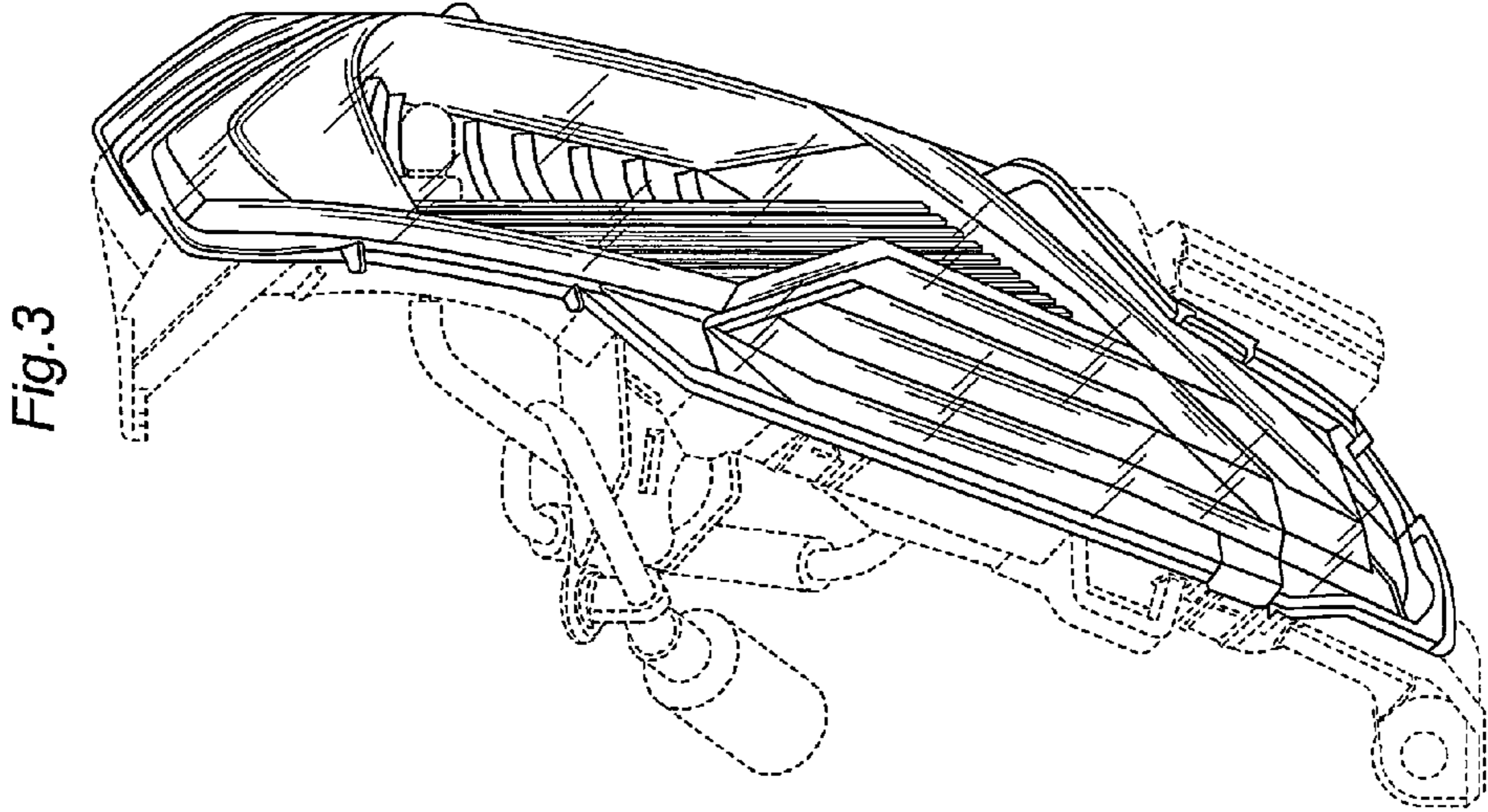


Fig. 4

