



US00D716975S

(12) **United States Design Patent**
Hasuo et al.

(10) **Patent No.:** **US D716,975 S**
(45) **Date of Patent:** **** Nov. 4, 2014**

(54) **LIGHT-EMITTING DIODE LAMP**
(71) Applicant: **Panasonic Corporation**, Osaka (JP)
(72) Inventors: **Makoto Hasuo**, Osaka (JP); **Naoki Tagami**, Osaka (JP); **Koji Omura**, Osaka (JP); **Kazuo Gouda**, Kagawa (JP); **Kousuke Sugahara**, Kagawa (JP)

D443,703 S *	6/2001	Sood	D26/2
D549,360 S *	8/2007	An	D26/2
D550,864 S *	9/2007	Hernandez et al.	D26/2
D629,929 S *	12/2010	Chen et al.	D26/2
D646,810 S *	10/2011	Takeuchi et al.	D26/2
D646,811 S *	10/2011	Takeuchi et al.	D26/2
D655,024 S *	2/2012	deBetak	D26/2
D664,682 S *	7/2012	Matsuda et al.	D26/2
D664,683 S	7/2012	Matsuda et al.	
D671,663 S	11/2012	Matsuda et al.	

(73) Assignee: **Panasonic Corporation**, Osaka (JP)

* cited by examiner

(**) Term: **14 Years**

Primary Examiner — Marcus Jackson

(21) Appl. No.: **29/465,523**

(74) *Attorney, Agent, or Firm* — Panasonic Patent Center

(22) Filed: **Aug. 29, 2013**

(57) **CLAIM**

We claim the ornamental design for a light-emitting diode lamp, as shown and described.

(30) **Foreign Application Priority Data**

DESCRIPTION

Mar. 4, 2013 (JP) 2013-004568

(51) **LOC (10) Cl.** **26-04**

(52) **U.S. Cl.**
USPC **D26/2**

(58) **Field of Classification Search**
USPC D26/1-4; 313/313, 315, 316, 317, 318,
313/493; 315/52, 53, 56, 57, 58
See application file for complete search history.

FIG. 1 is a top perspective view of a light-emitting diode lamp of the present invention;
FIG. 2 is a front view thereof;
FIG. 3 is a rear view thereof;
FIG. 4 is a first side view thereof;
FIG. 5 is a second side view thereof;
FIG. 6 is a top view thereof; and,
FIG. 7 is a bottom view thereof.

The broken line showing of light-emitting diode lamp is included for the purpose of illustrating environment and forms no part of the claimed design. Additionally, the unevenly broken lines in the drawings define the limits of the claimed design.

(56) **References Cited**

U.S. PATENT DOCUMENTS

D340,295 S *	10/1993	Beauchamp	D26/2
D422,099 S *	3/2000	Kracke	D26/2

1 Claim, 7 Drawing Sheets

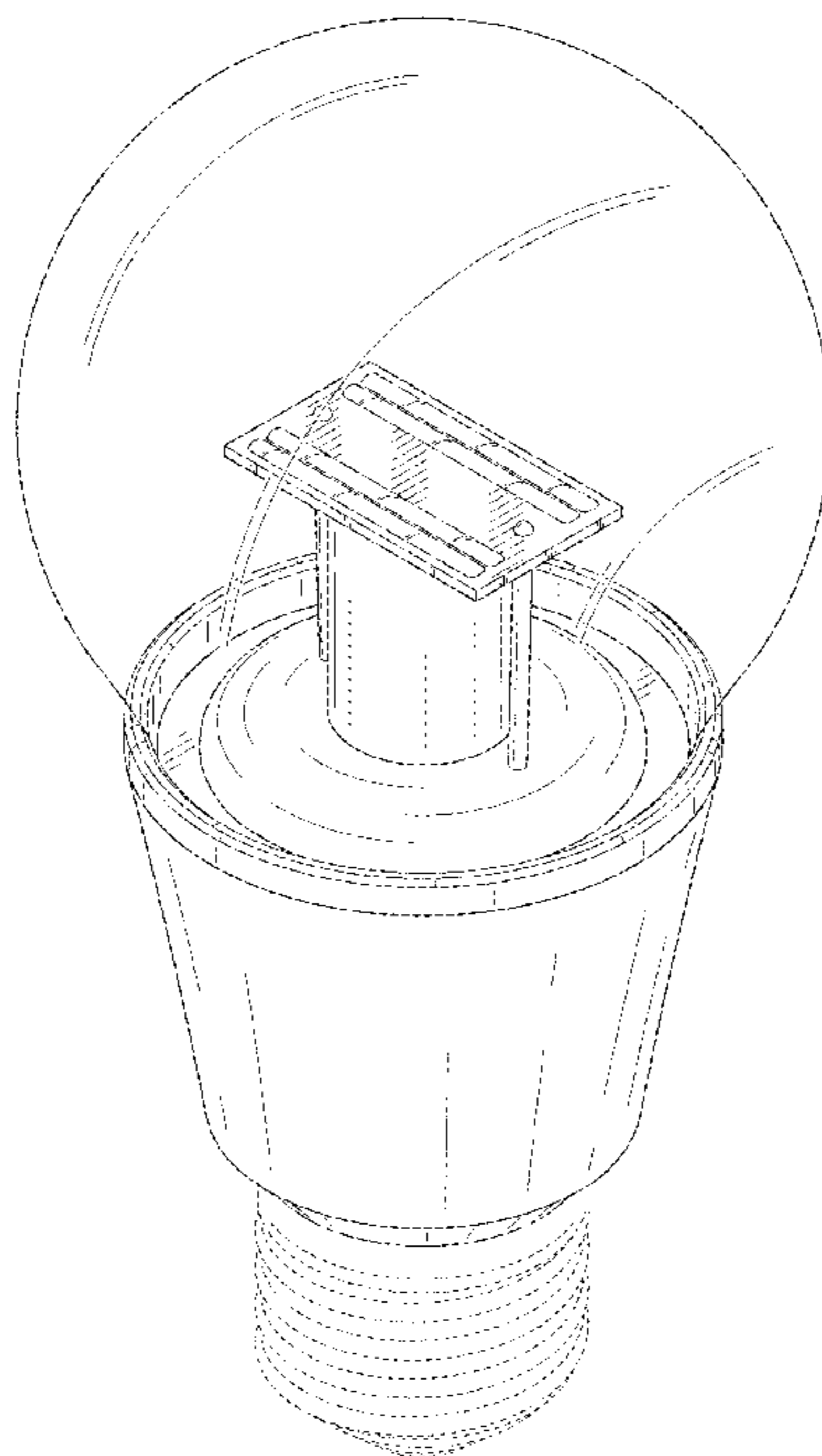


FIG. 1

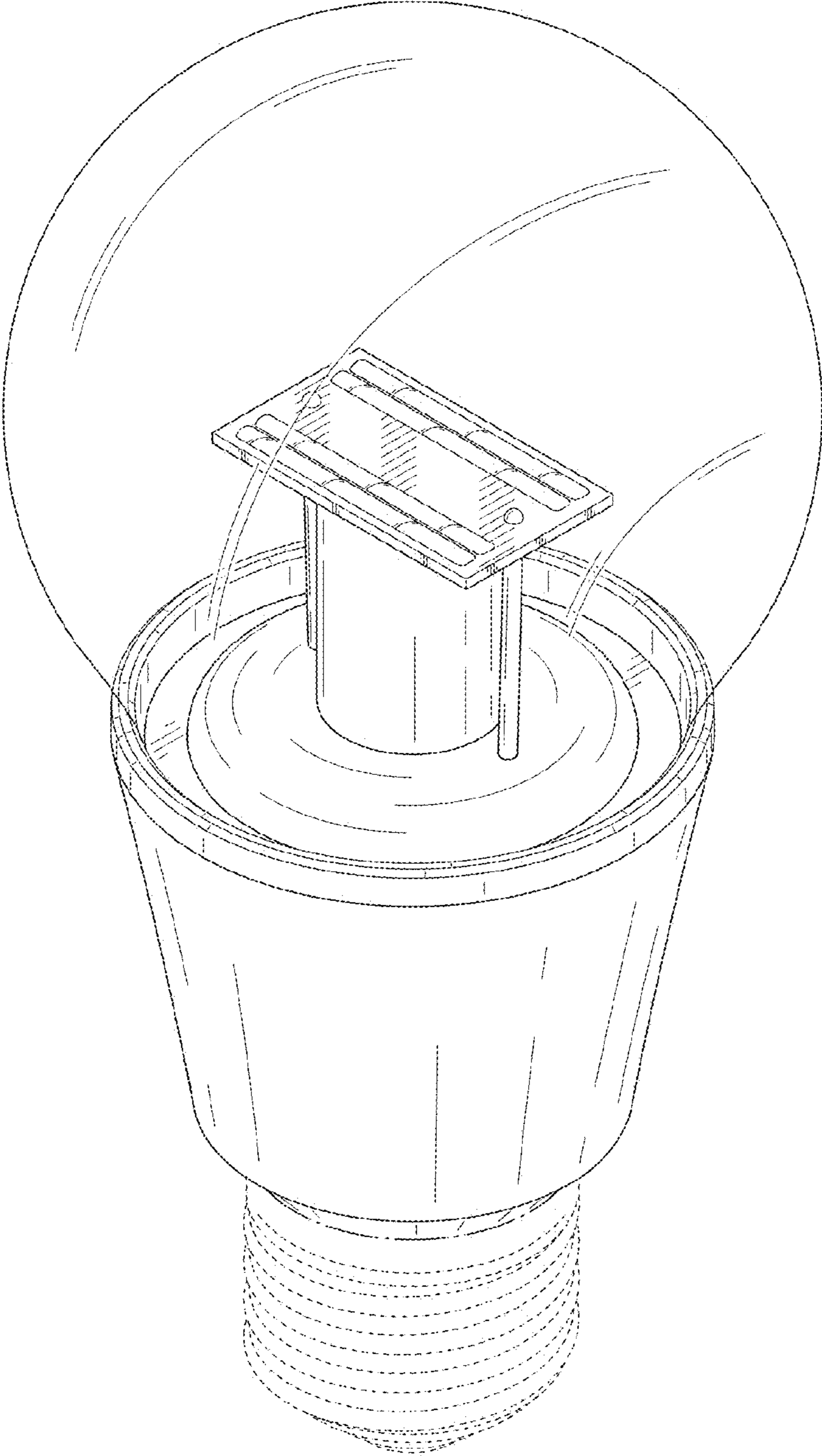


FIG. 2

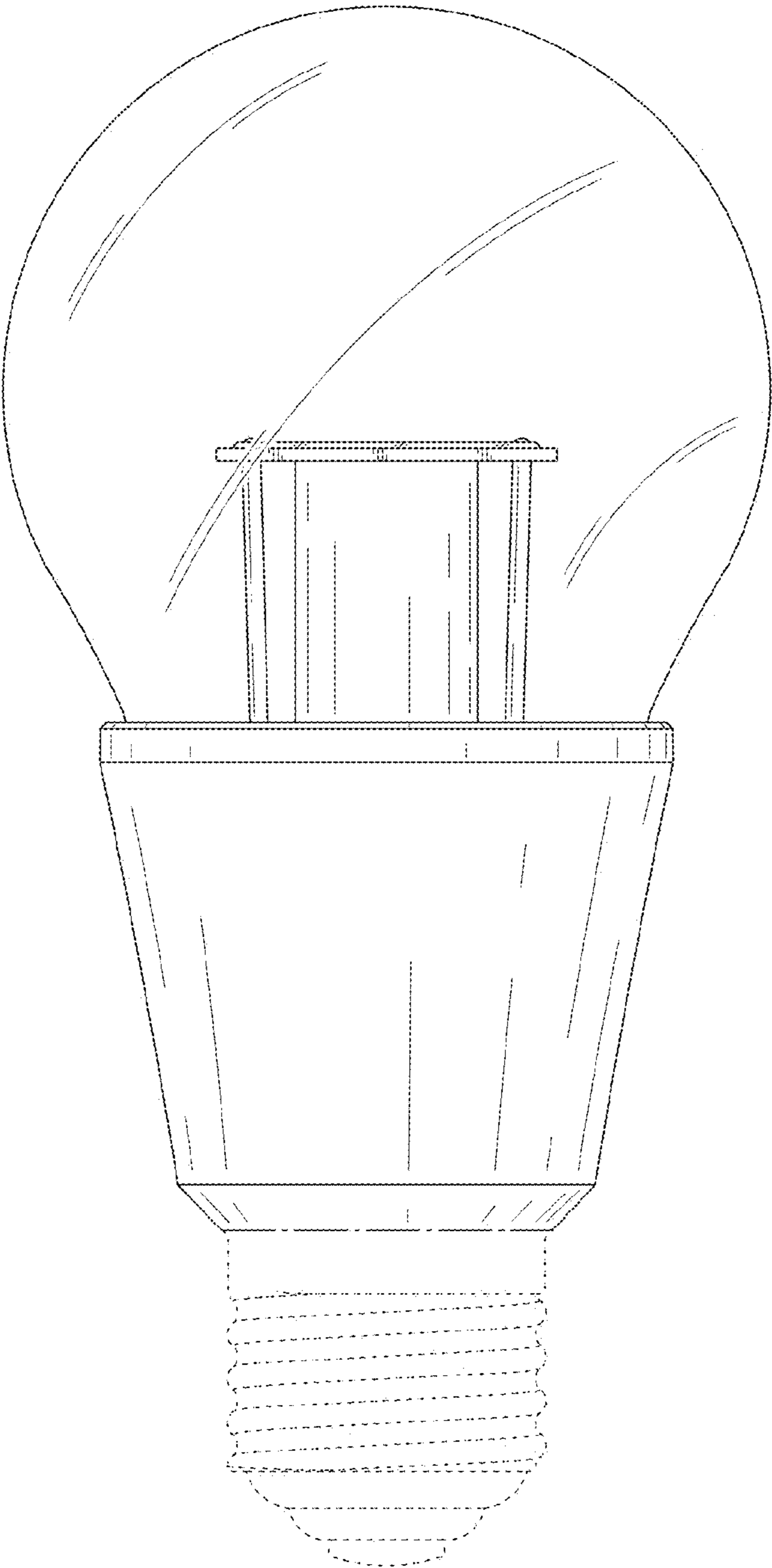


FIG. 3

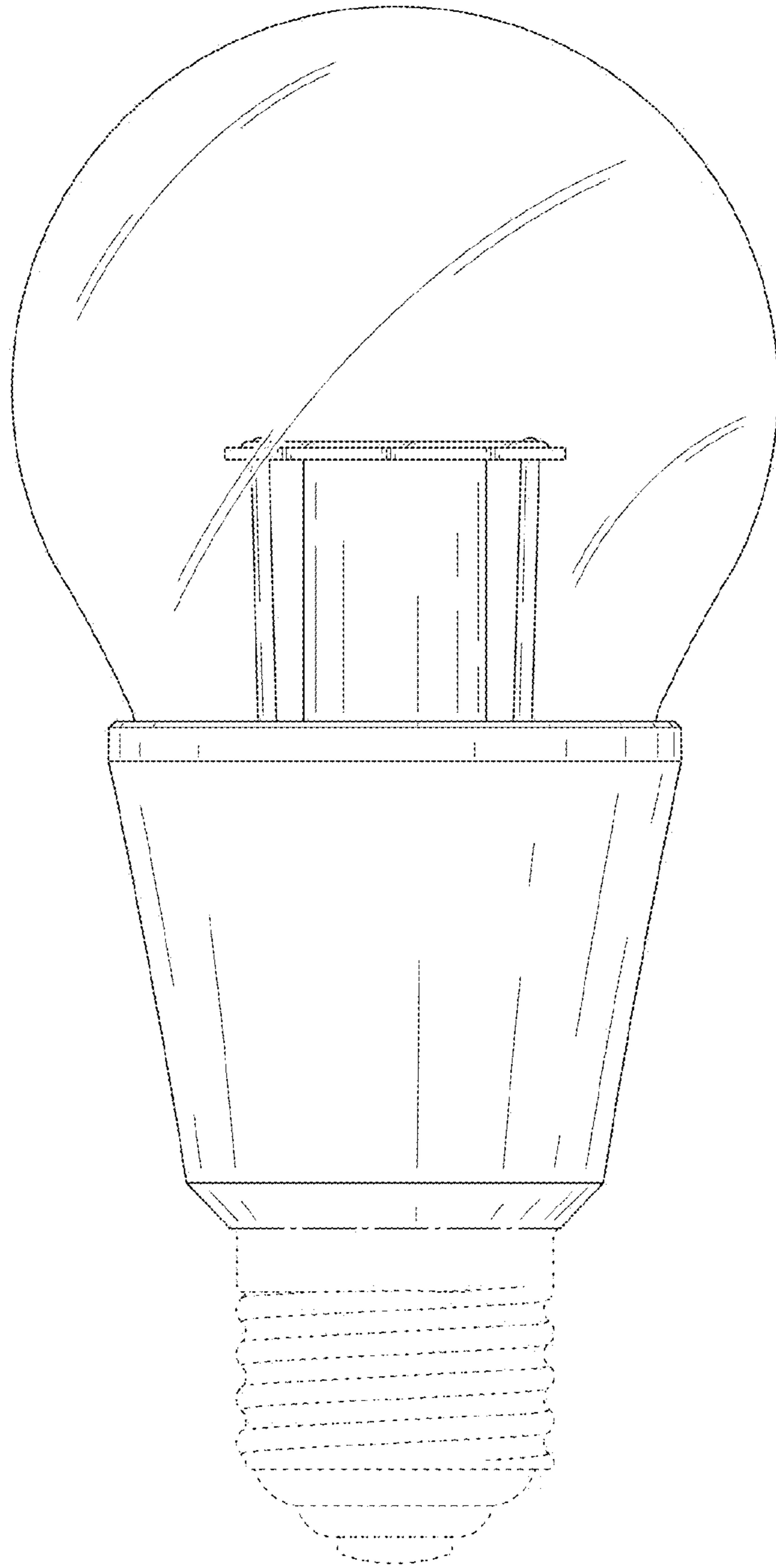


FIG. 4

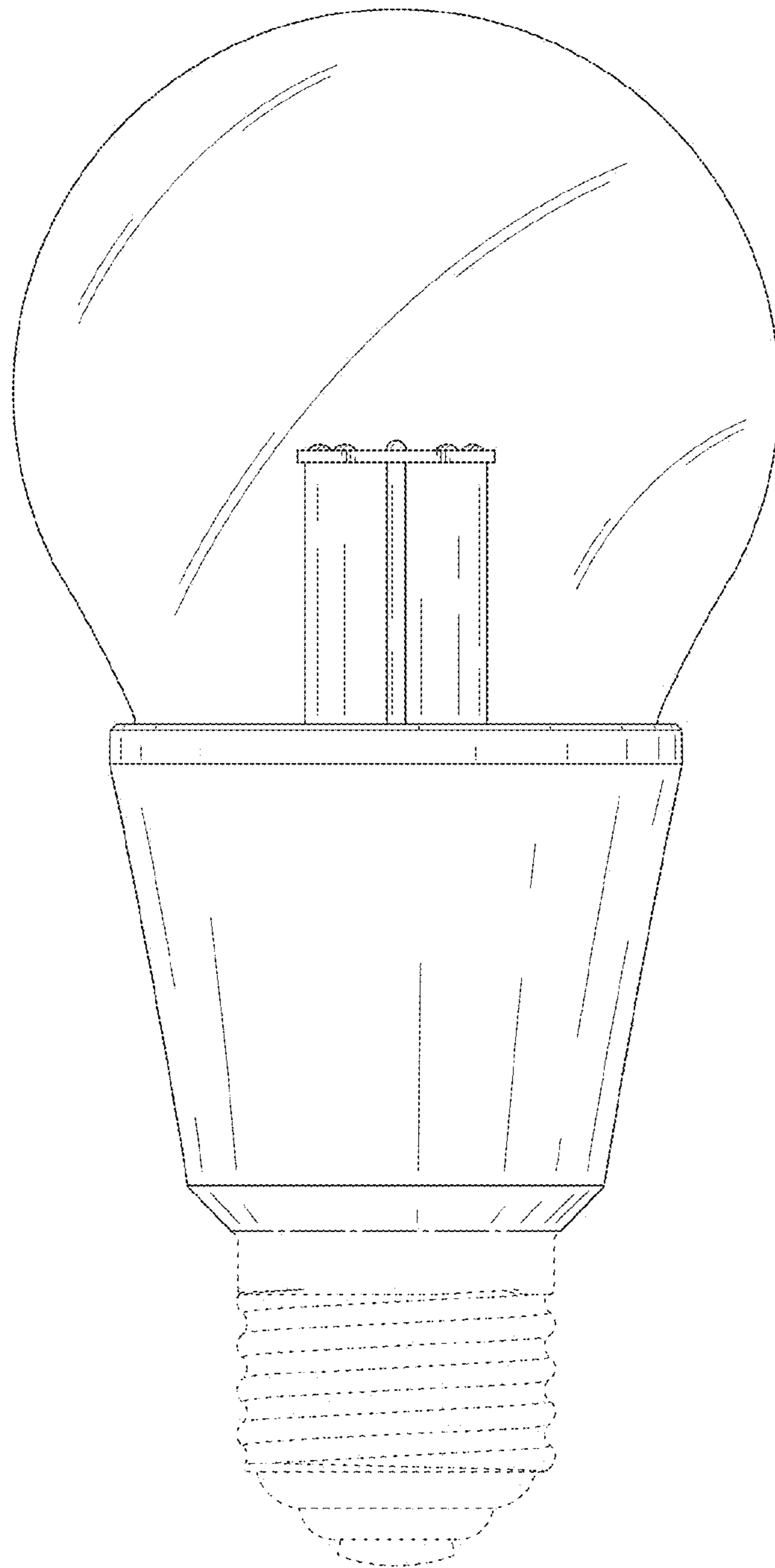


FIG. 5

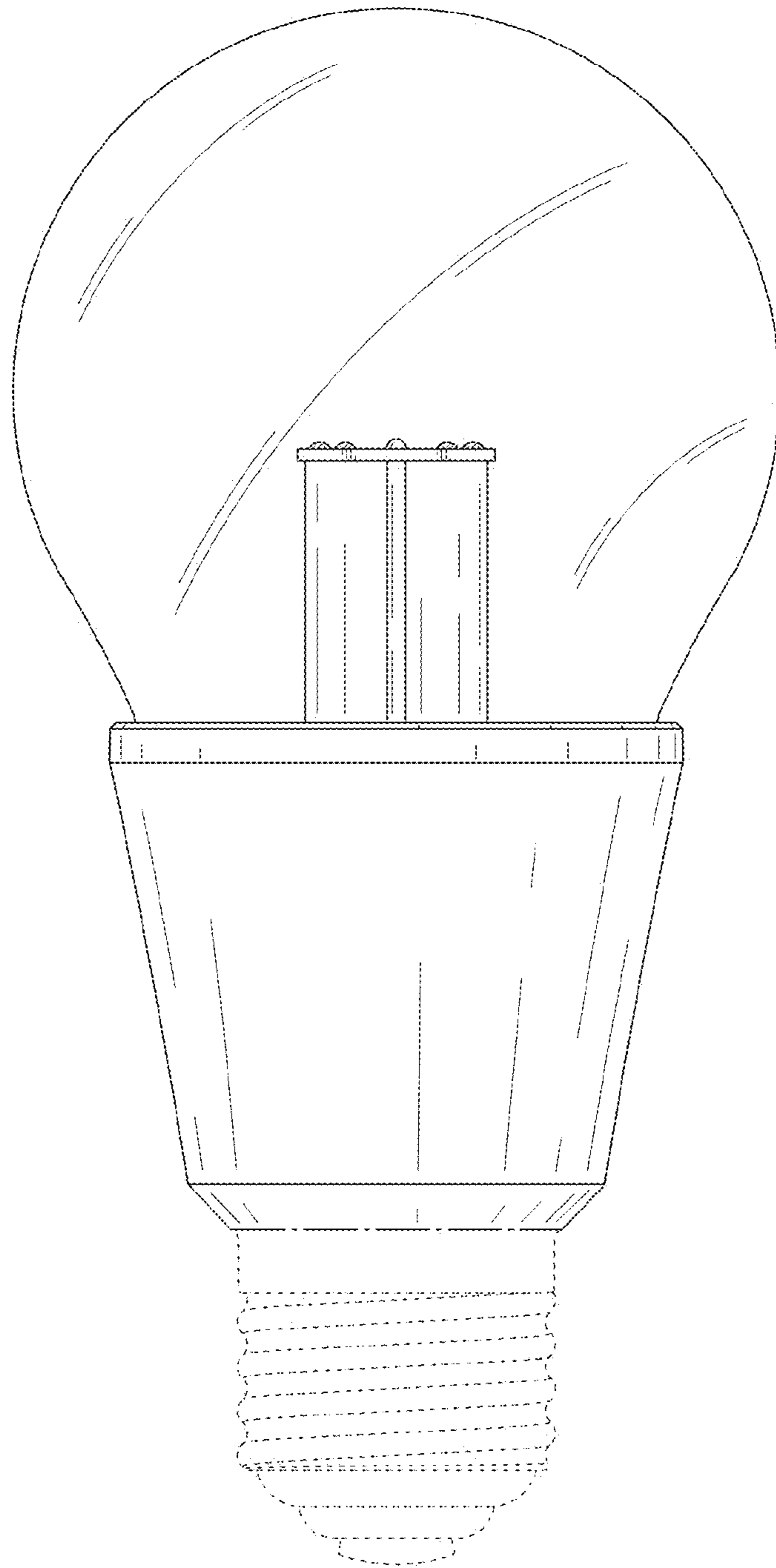


FIG. 6

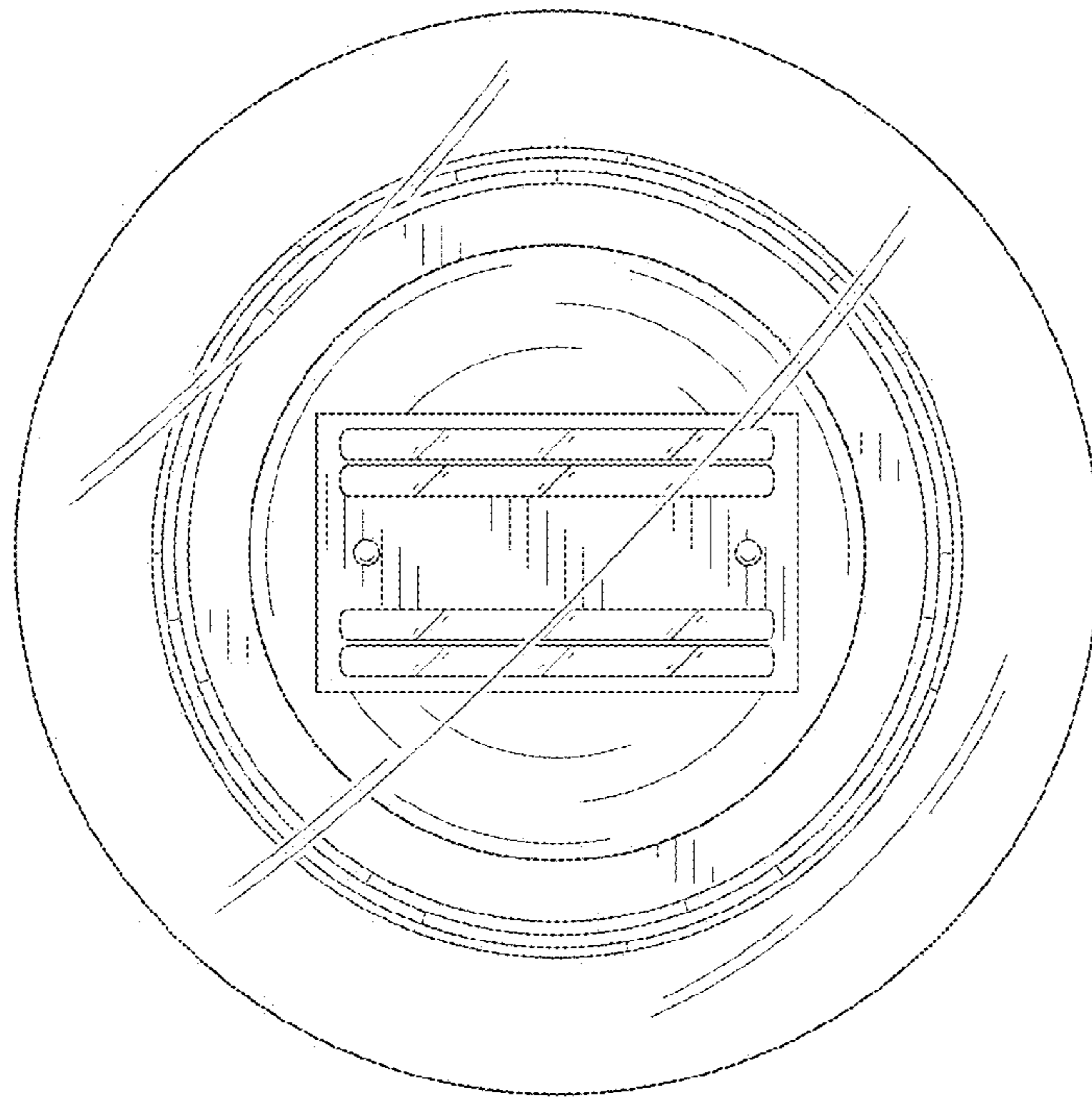


FIG. 7

