



US00D716974S

(12) **United States Design Patent**
Lin et al.

(10) **Patent No.:** **US D716,974 S**
(45) **Date of Patent:** **** Nov. 4, 2014**

(54) **BULB LAMP**

(56) **References Cited**

(71) Applicants: **Dongguan Masstop Liquid Crystal Display Co., Ltd.**, Dongguan (CN);
Wintek Corporation, Taichung (TW)
(72) Inventors: **Ming-Chuan Lin**, Taichung (TW);
Zhi-Ting Ye, Miaoli County (TW);
Yu-Liang Chow, Taoyuan County (TW)
(73) Assignees: **Dongguan Masstop Liquid Crystal Display Co., Ltd.**, Dongcheng District,
Dongguan, Guangdong Province (CN);
Wintek Corporation, Tanzi Dist.,
Taichung (TW)

U.S. PATENT DOCUMENTS

D543,288 S *	5/2007	Bembridge et al.	D26/2
D558,904 S *	1/2008	Tsuruha et al.	D26/2
D579,130 S *	10/2008	Hernandez et al.	D26/2
D600,368 S *	9/2009	Bertram et al.	D26/2
D610,272 S *	2/2010	Guo et al.	D26/2
D645,993 S	9/2011	Wang	
D648,042 S	11/2011	Kim	
D648,877 S	11/2011	Kim	
D669,611 S *	10/2012	Yamamoto et al.	D26/2
D675,755 S	2/2013	Yamamoto	

FOREIGN PATENT DOCUMENTS

JP	D1424798	9/2011
JP	D1427600	10/2011
TW	D139037	2/2011

* cited by examiner

Primary Examiner — Marcus Jackson
(74) *Attorney, Agent, or Firm* — Winston Hsu; Scott Margo

(57) **CLAIM**

The ornamental design for a bulb lamp, as shown and described.

DESCRIPTION

FIG. 1 is a perspective view of a bulb lamp;
FIG. 2 is a front view thereof;
FIG. 3 is a rear view thereof;
FIG. 4 is a left side elevational view thereof;
FIG. 5 is a right side elevational view thereof;
FIG. 6 is a top plan view thereof; and,
FIG. 7 is a bottom plan view thereof.
The claimed surface of the bulb lamp is illustrated with the color designation for the color blue of Pantone 294c.
The portion of the bulb lamp depicted in broken lines forms no part of the claimed design.

(**) Term: **14 Years**

(21) Appl. No.: **29/460,925**

(22) Filed: **Jul. 17, 2013**

(30) **Foreign Application Priority Data**

Jul. 11, 2012 (TW) 101304051
Jun. 4, 2013 (TW) 101304051D01

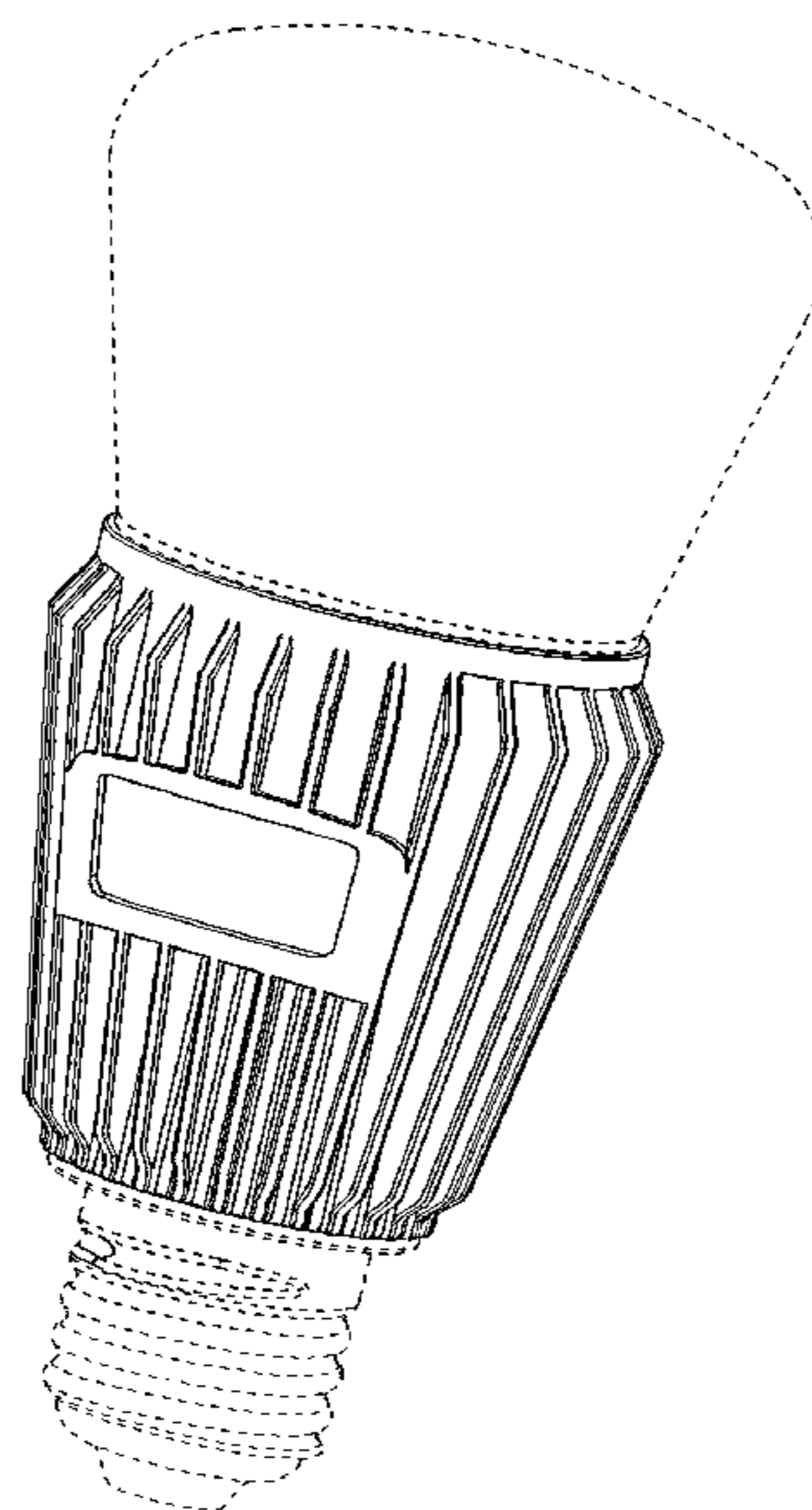
(51) **LOC (10) Cl.** **26-04**

(52) **U.S. Cl.**
USPC **D26/2**

(58) **Field of Classification Search**
USPC D26/1-4; 313/313, 315, 316, 317, 318,
313/493; 315/52, 53, 56, 57, 58

See application file for complete search history.

1 Claim, 7 Drawing Sheets



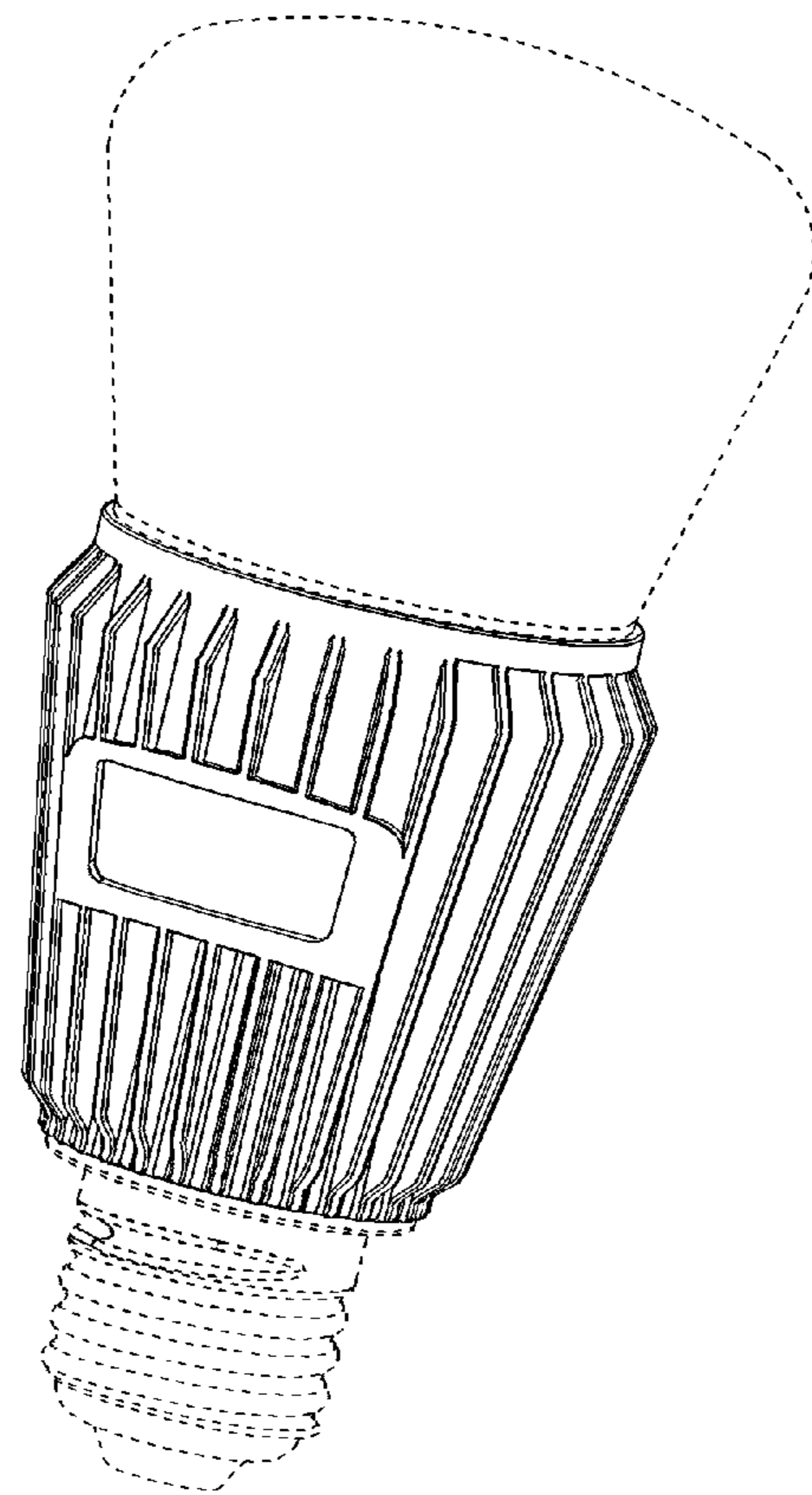


FIG. 1

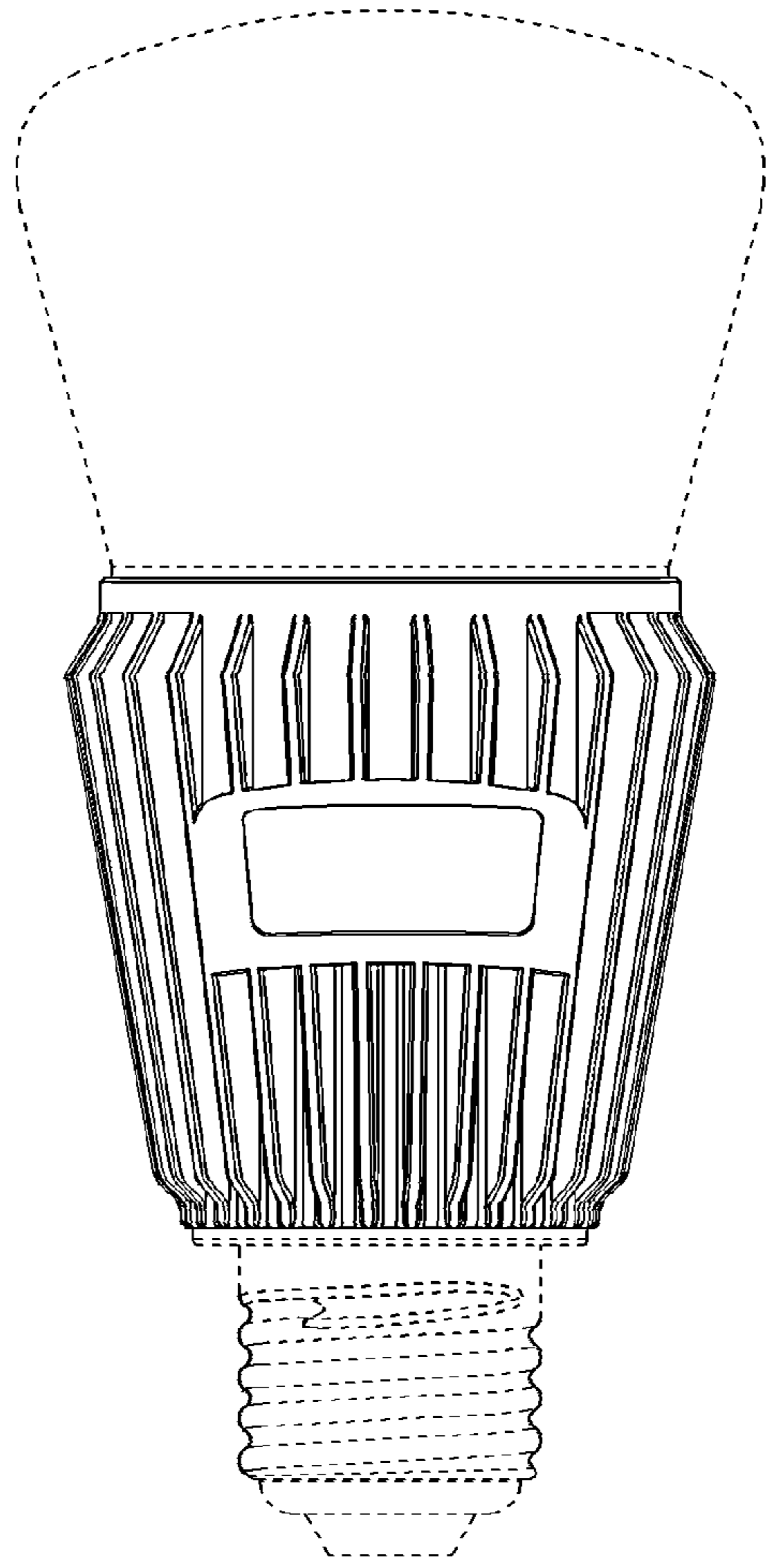


FIG. 2

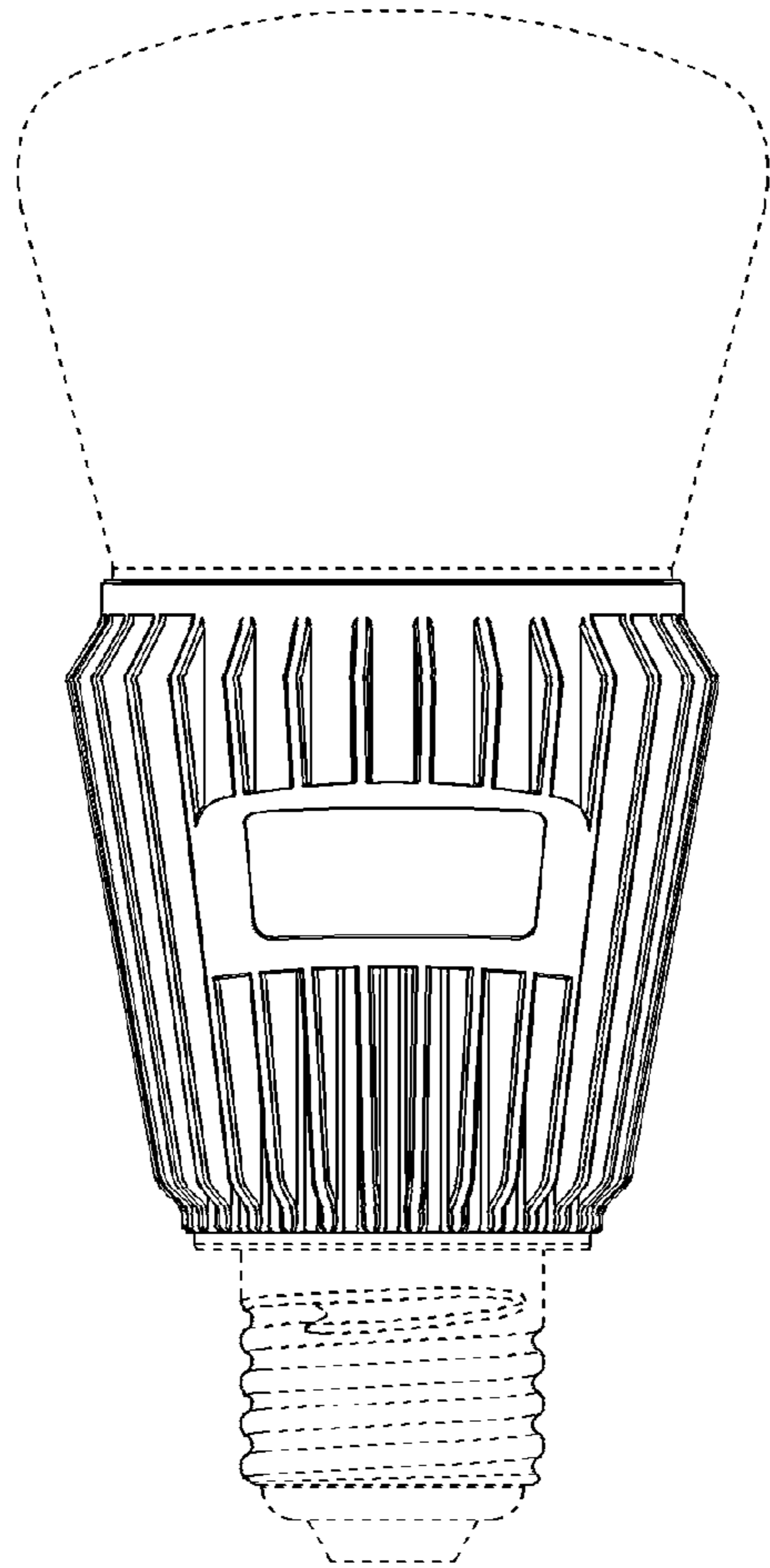


FIG. 3

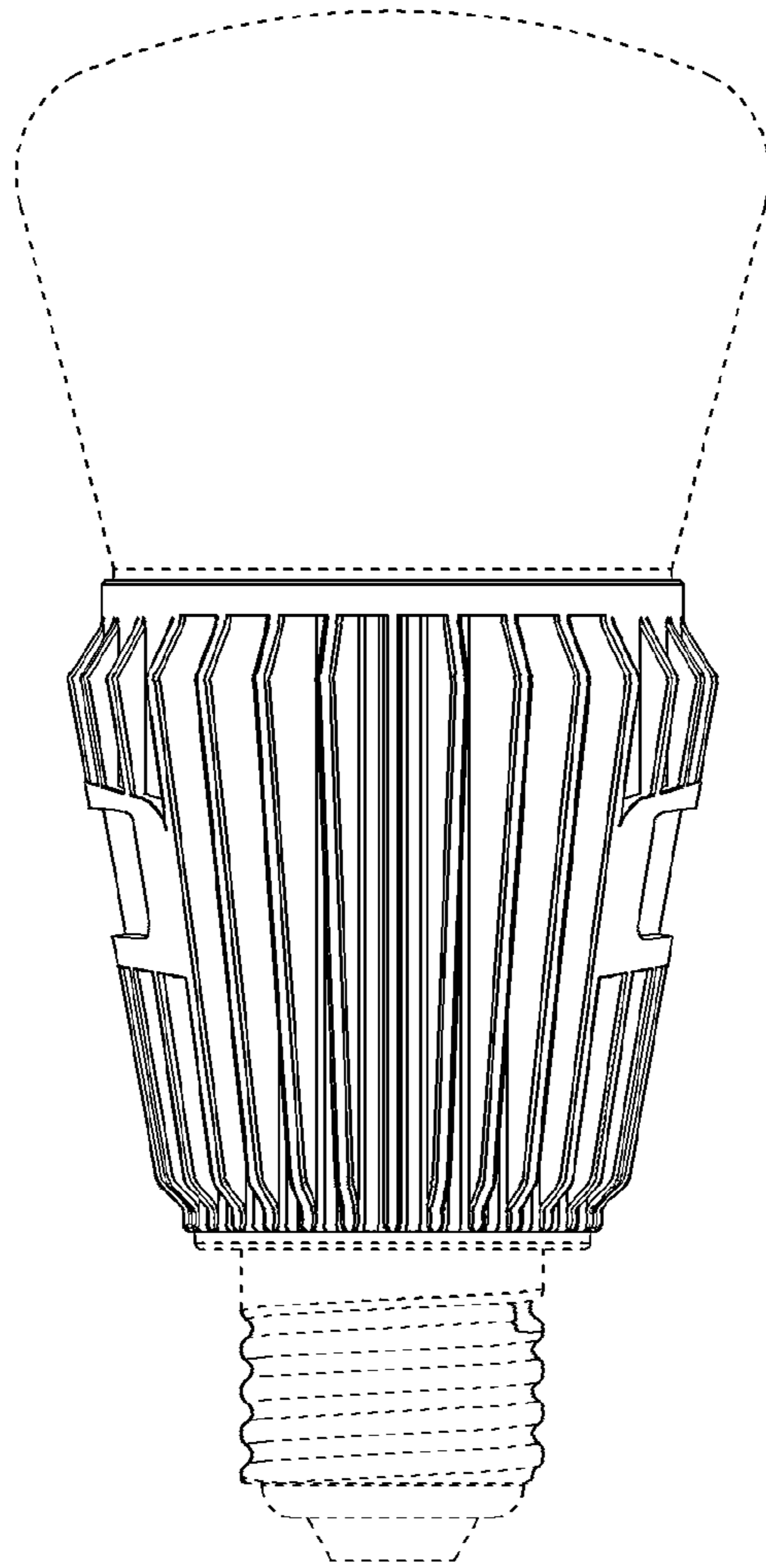


FIG. 4

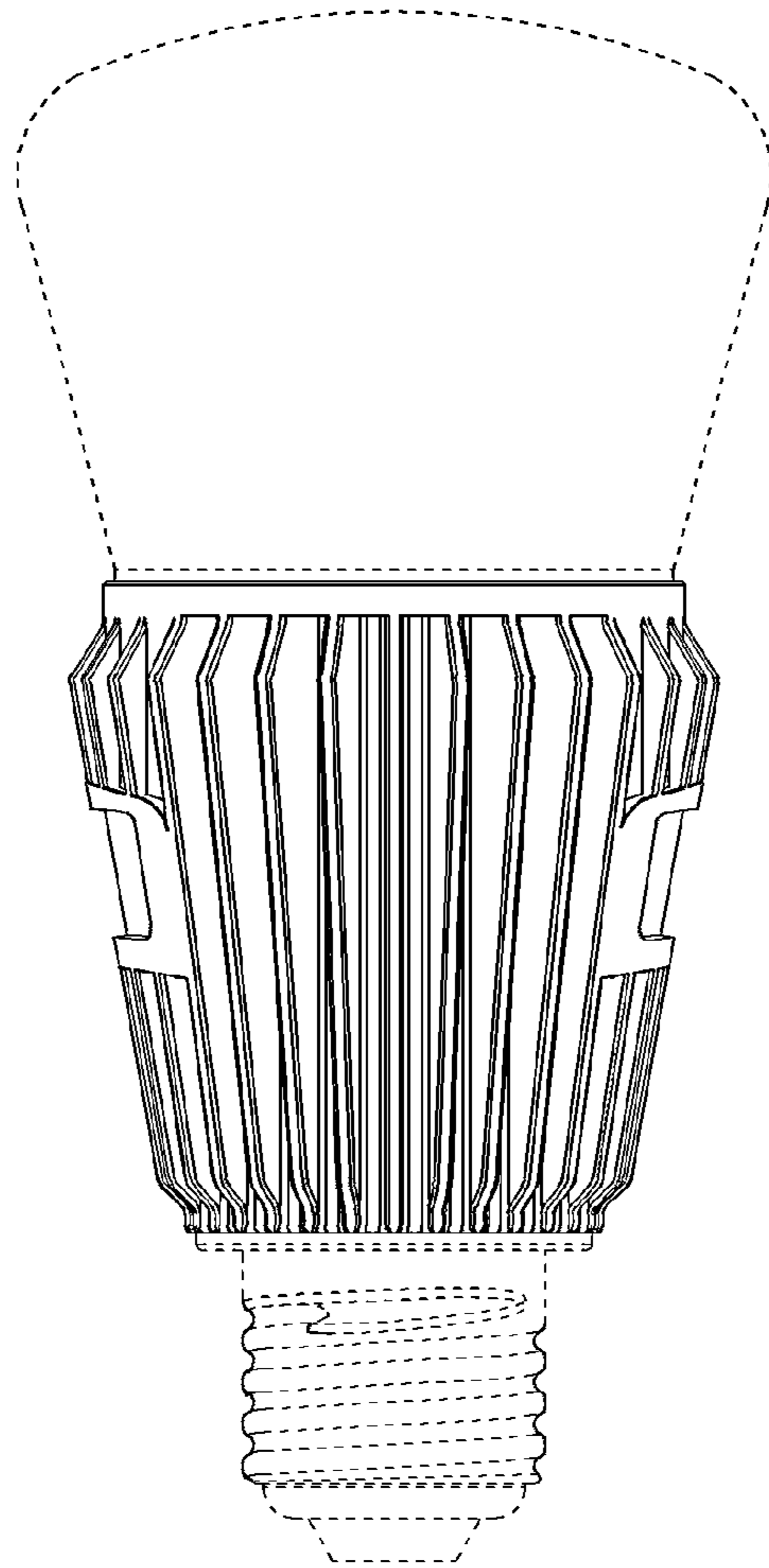


FIG. 5

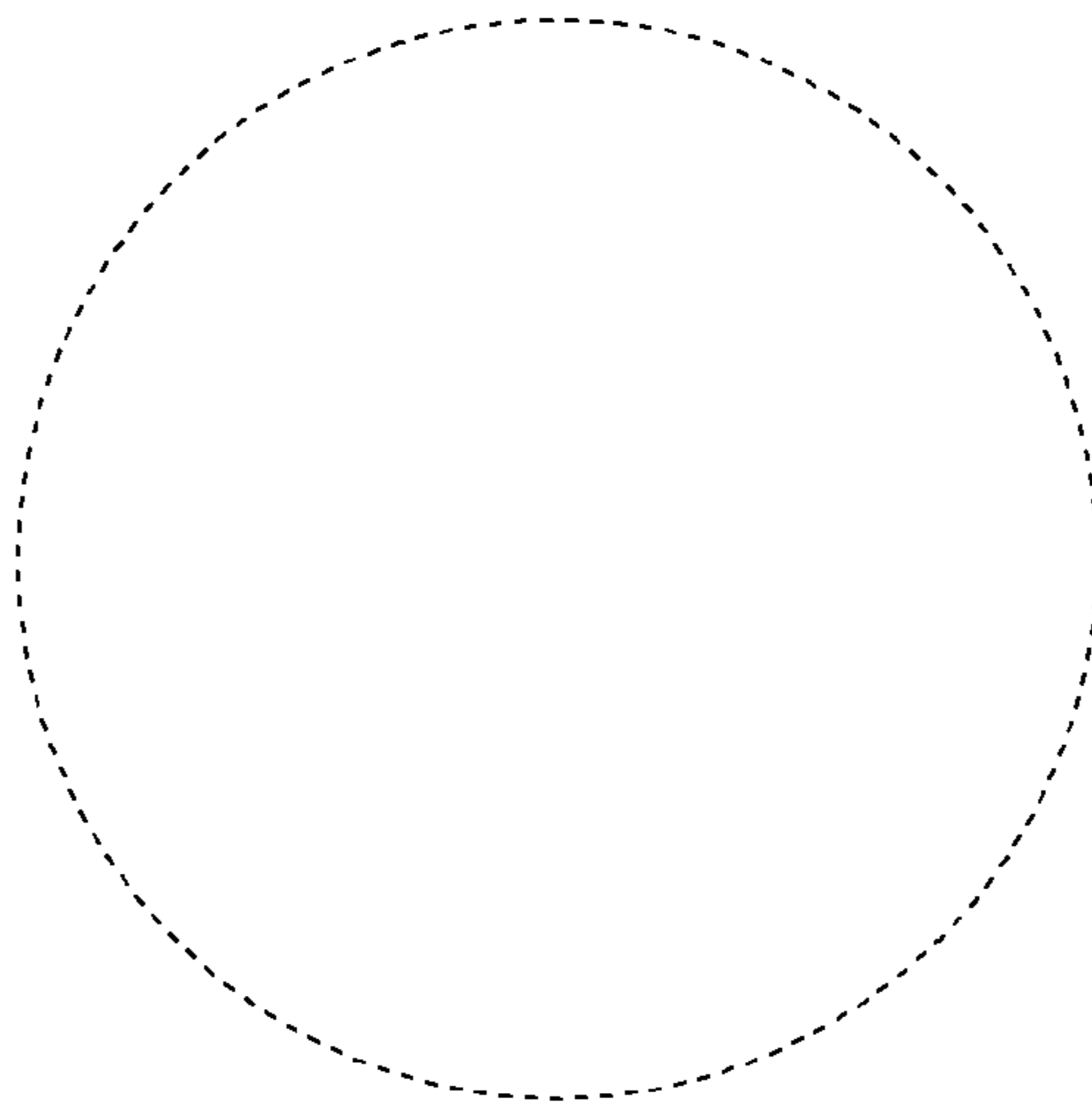


FIG. 6

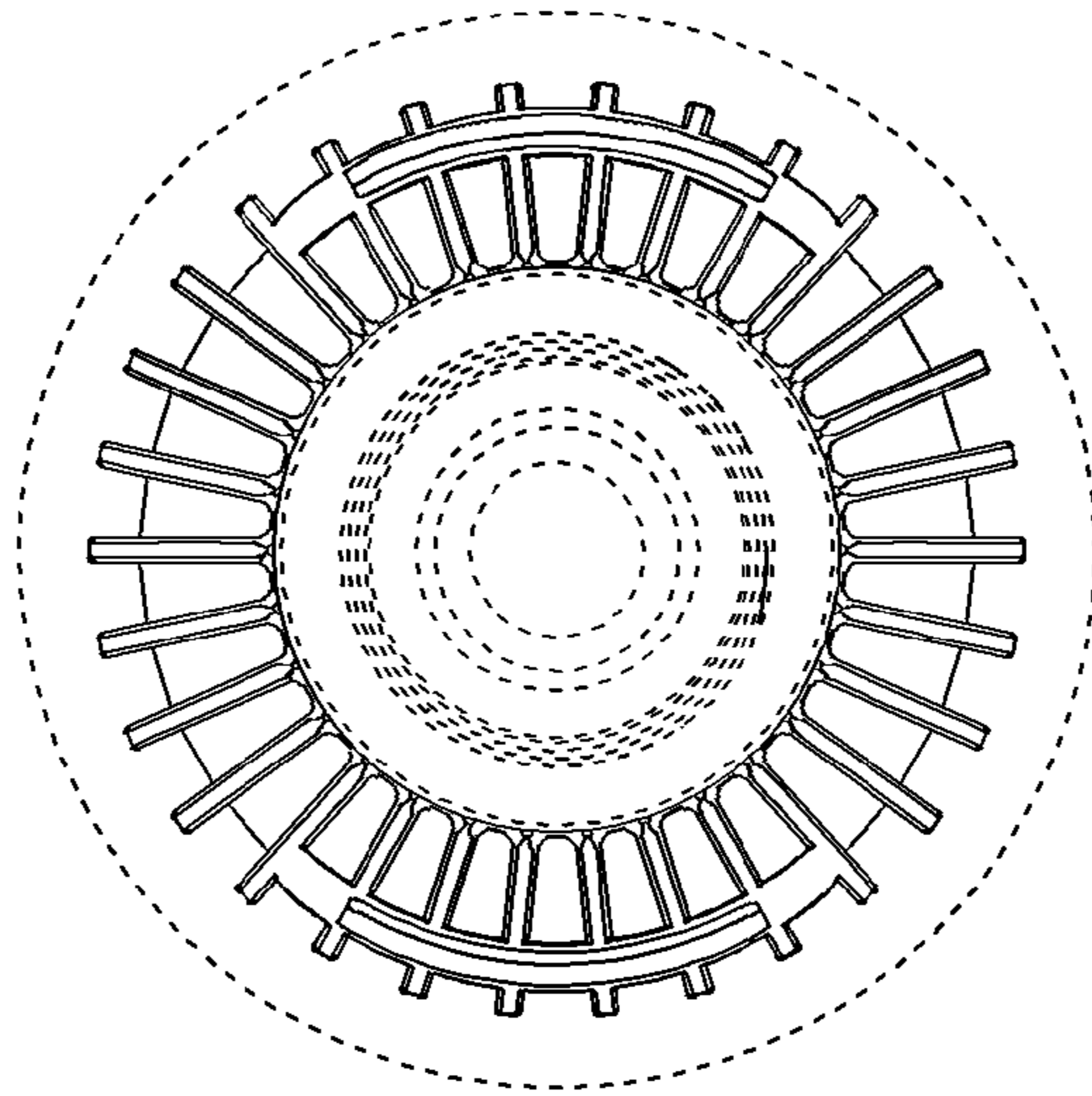


FIG. 7