



US00D716973S

(12) **United States Design Patent**  
**Jia et al.**

(10) **Patent No.:** **US D716,973 S**  
(45) **Date of Patent:** **\*\* Nov. 4, 2014**

(54) **LAMP**

(56) **References Cited**

(71) Applicant: **Oppl Lighting Co., Ltd**, Shanghai (CN)

U.S. PATENT DOCUMENTS

(72) Inventors: **Peng Jia**, Shanghai (CN); **Jike Gao**, Shanghai (CN)

D530,836 S \* 10/2006 Johnson ..... D26/2  
D545,457 S \* 6/2007 Chen ..... D26/2  
D551,784 S \* 9/2007 Krieglmeier et al. .... D26/2  
D572,385 S \* 7/2008 Mazzochette et al. .... D26/2  
D597,225 S \* 7/2009 Yoo ..... D26/2

(73) Assignee: **Oppl Lighting Co., Ltd**, Shanghai (CN)

\* cited by examiner

(\*\*) Term: **14 Years**

*Primary Examiner* — Marcus Jackson

(21) Appl. No.: **29/459,516**

(74) *Attorney, Agent, or Firm* — Jacobson Holman Hershkovitz PLLC; Jiwen Chen

(22) Filed: **Jul. 1, 2013**

(57) **CLAIM**

The ornamental design for the lamp, as shown and described.

(30) **Foreign Application Priority Data**

**DESCRIPTION**

Dec. 29, 2012 (CN) ..... 2012 3 0661446

(51) **LOC (10) Cl.** ..... **26-04**

(52) **U.S. Cl.**  
USPC ..... **D26/2**

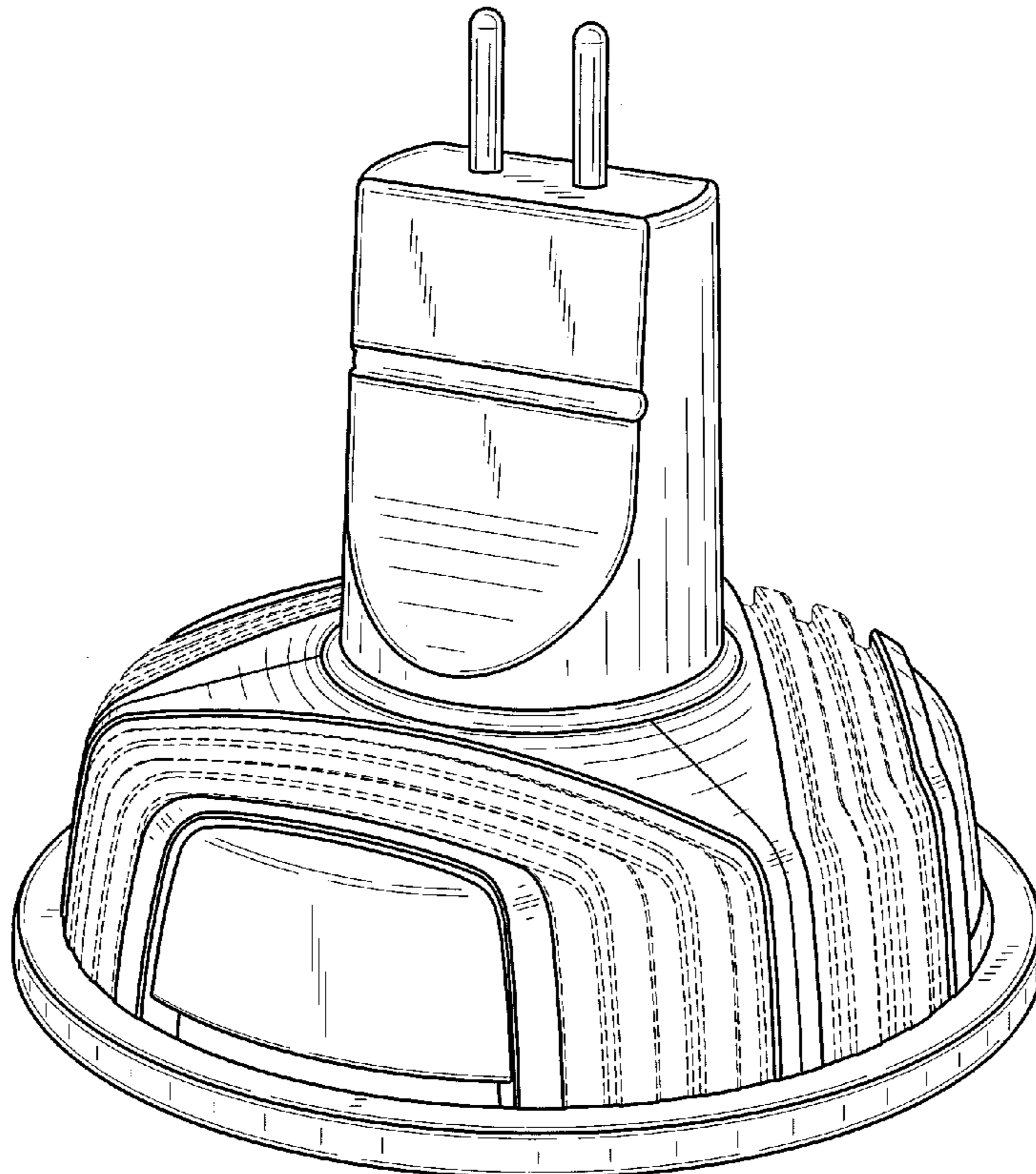
(58) **Field of Classification Search**  
USPC ..... D26/1-4; 313/313, 315, 316, 317, 318, 313/493; 315/52, 53, 56, 57, 58

FIG. 1 is a perspective view of the lamp showing the design; FIG. 2 is a front elevational view thereof; FIG. 3 is a rear elevational view thereof; FIG. 4 is a top plan view thereof; FIG. 5 is a bottom plan view thereof; FIG. 6 is a right side view thereof; and, FIG. 7 is a left side view thereof.

Broken lines in the drawing show the environmental structure or boundaries that form no part of the design.

See application file for complete search history.

**1 Claim, 7 Drawing Sheets**



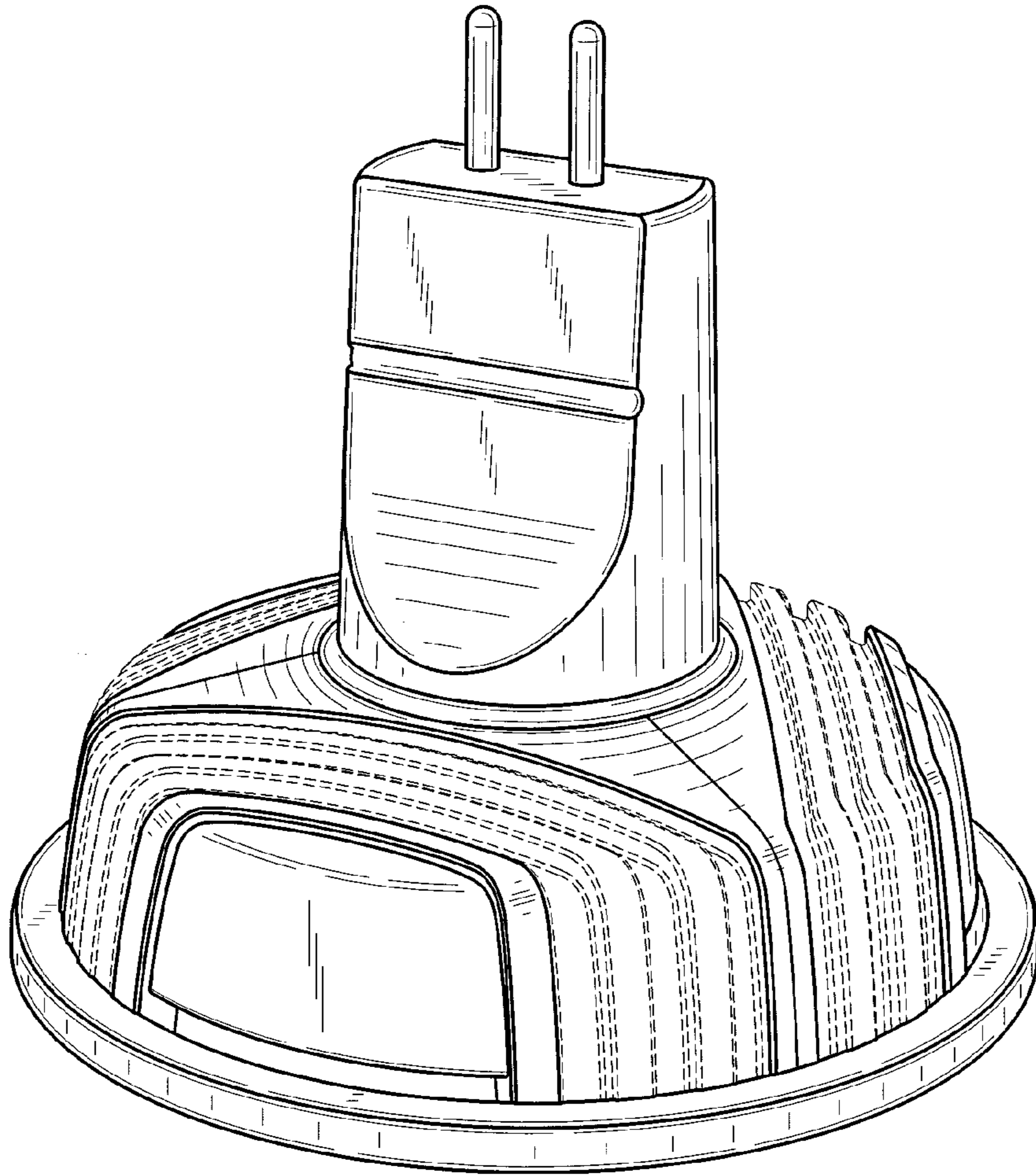


FIG. 1

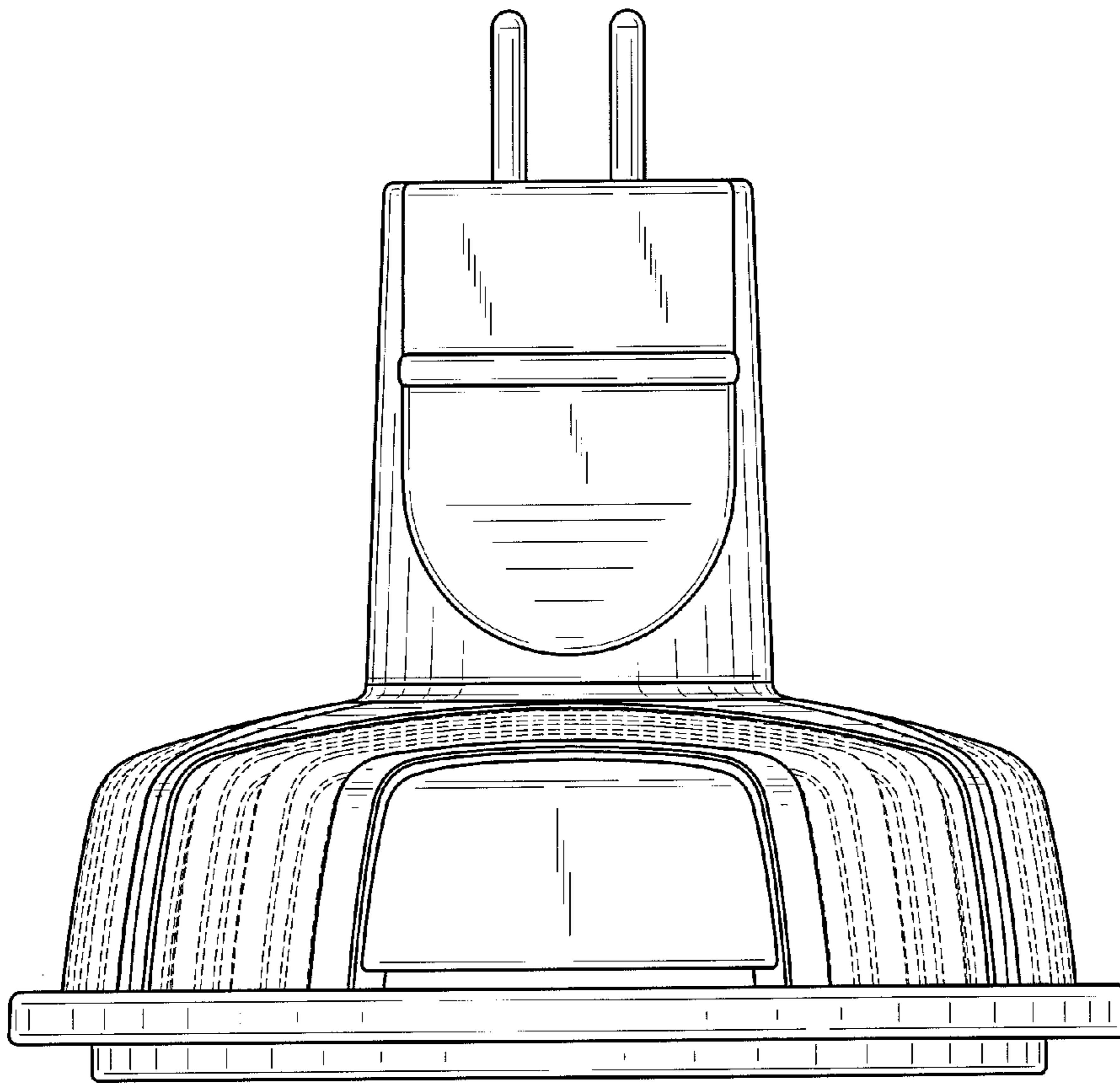


FIG. 2

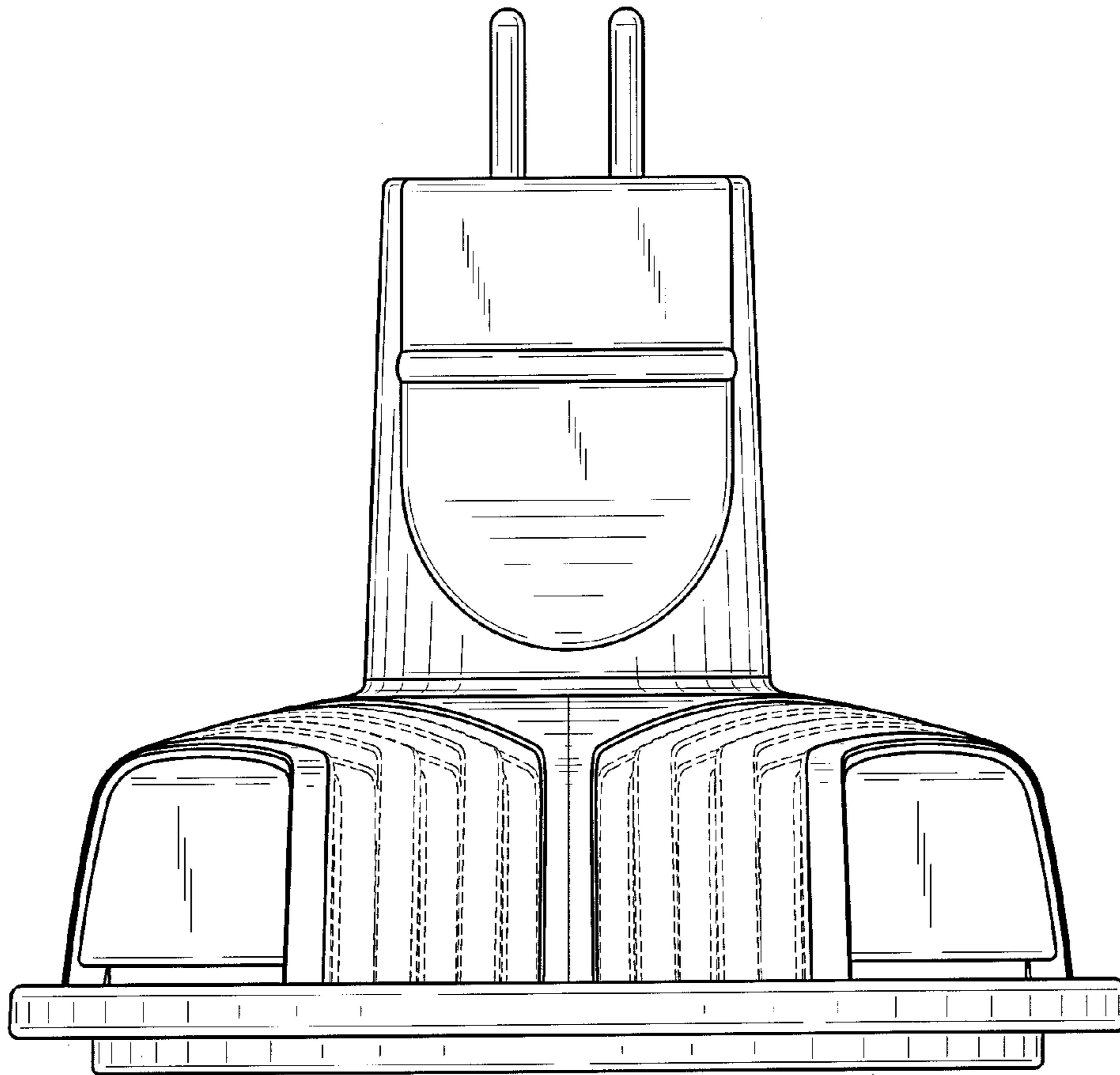


FIG. 3



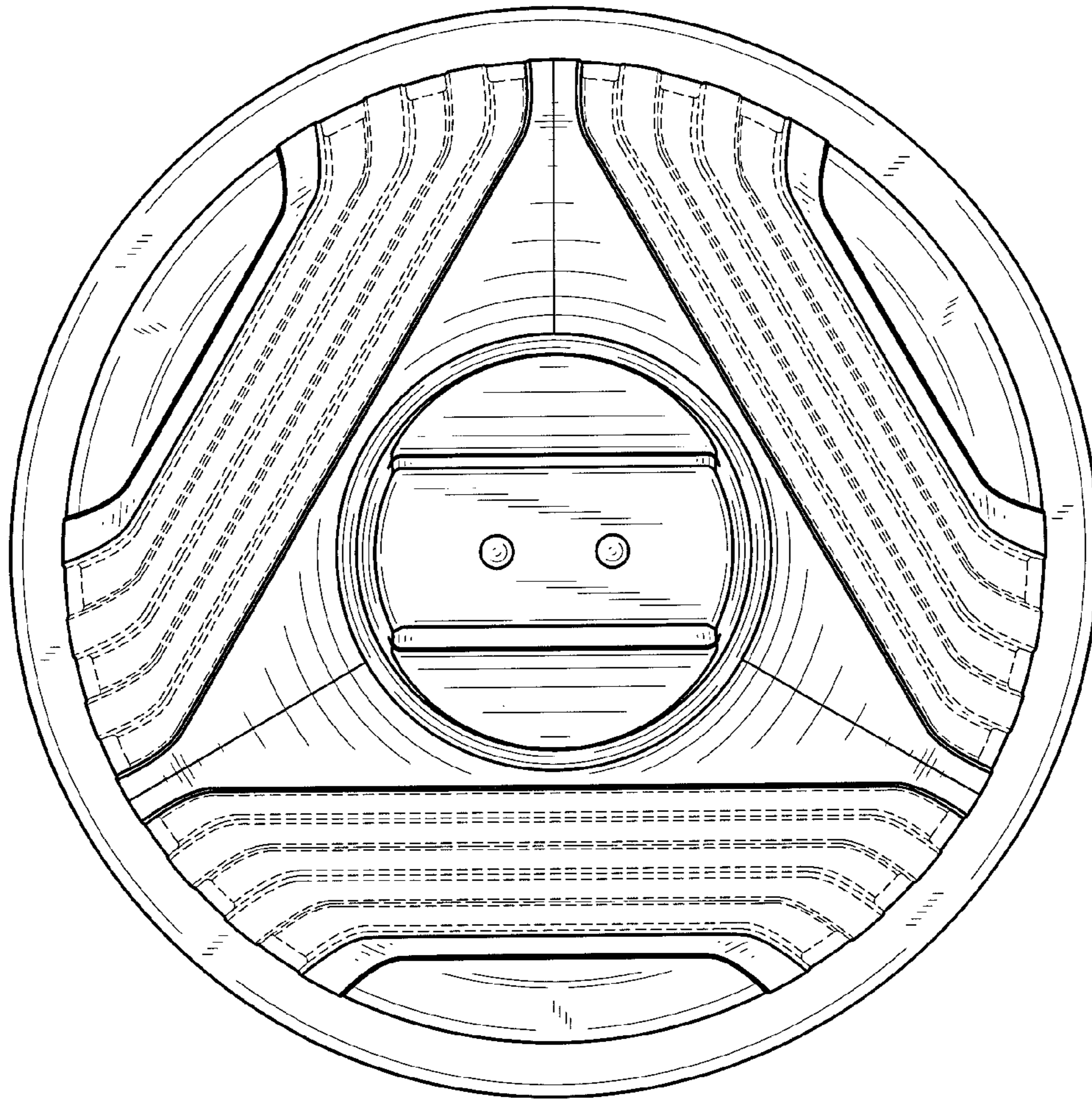


FIG. 4

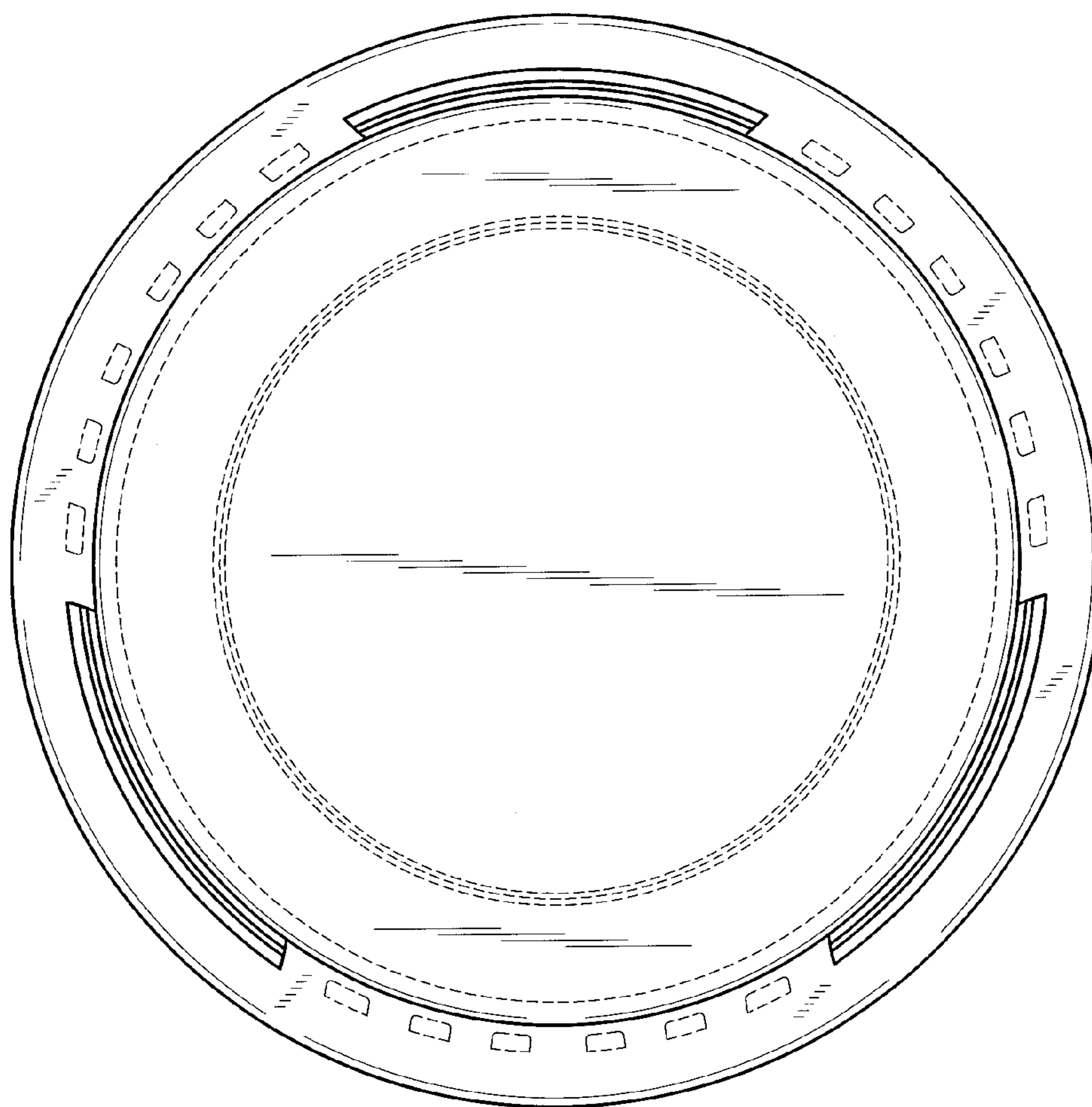


FIG. 5

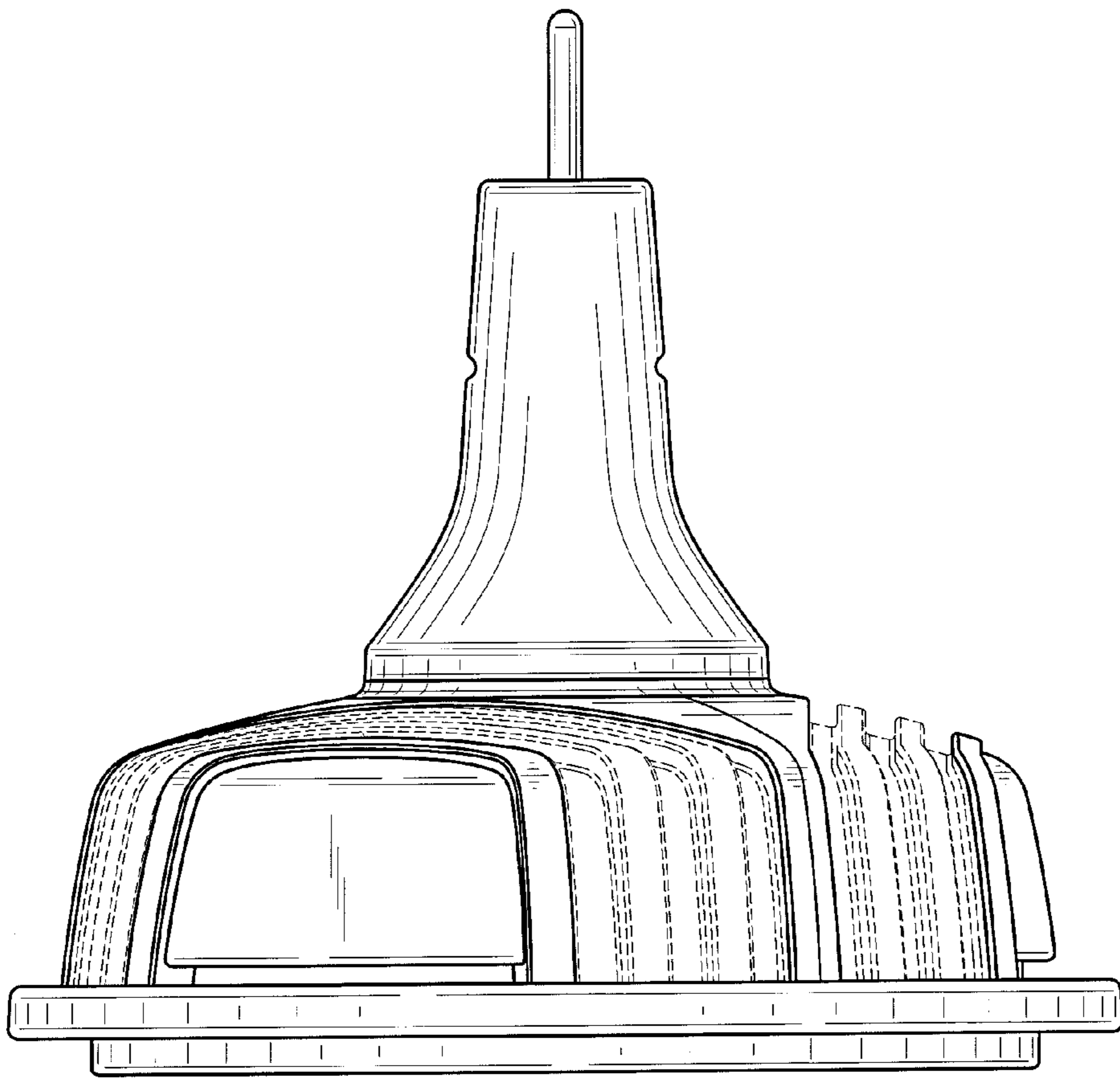


FIG. 6

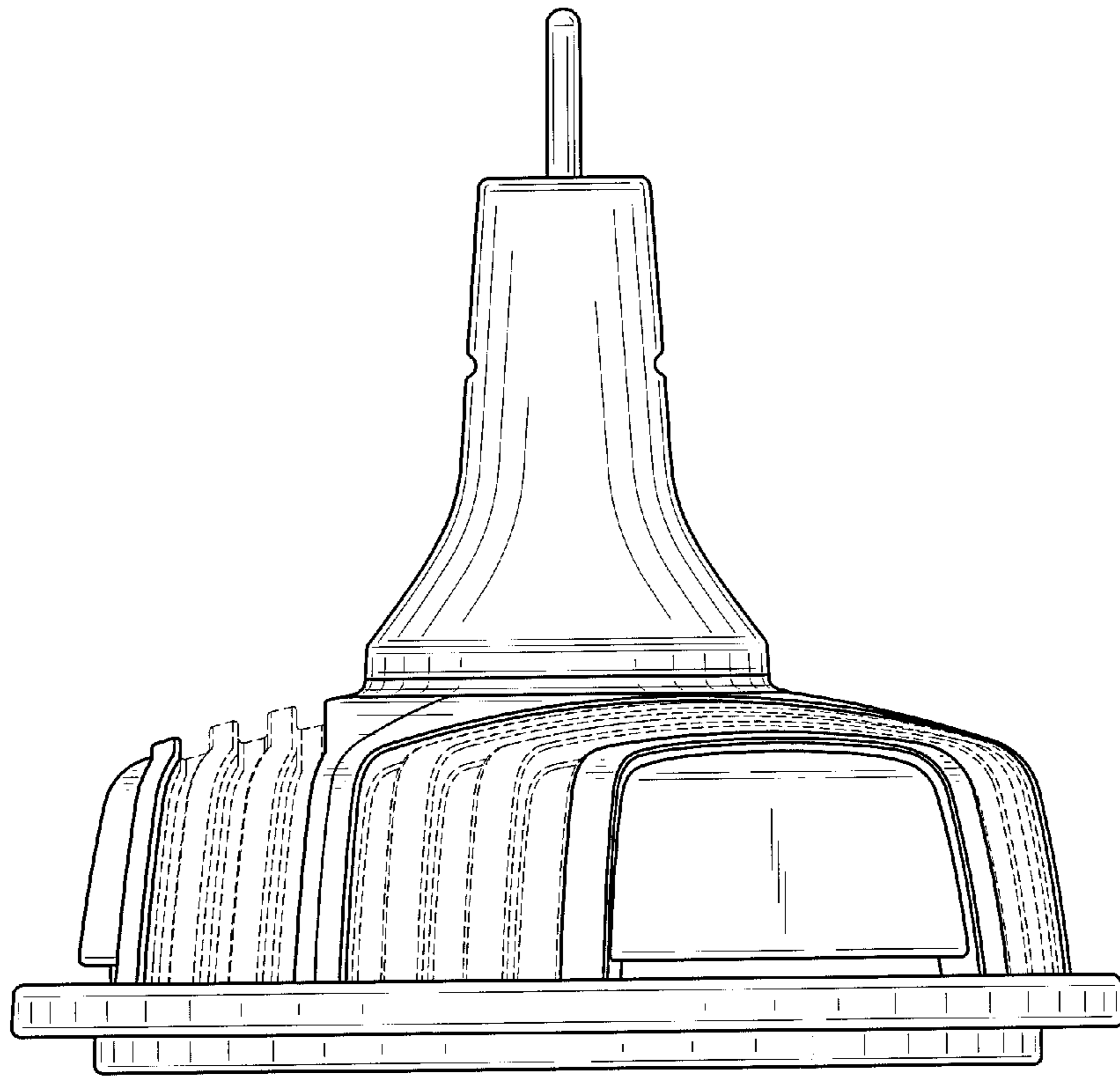


FIG. 7