



US00D716971S

(12) **United States Design Patent**
Yang

(10) **Patent No.:** **US D716,971 S**
(45) **Date of Patent:** **** Nov. 4, 2014**

(54) **LED LAMP**

(56) **References Cited**

(71) Applicant: **Illumina Mfg. Co., Ltd.**, Guangdong
(CN)

U.S. PATENT DOCUMENTS

(72) Inventor: **Dangwei Yang**, Shenzhen (CN)

D433,167 S *	10/2000	Yim	D26/2
D463,584 S *	9/2002	Yim	D26/2
D532,532 S *	11/2006	Maxik	D26/2
D535,038 S *	1/2007	Egawa et al.	D26/2
D553,266 S *	10/2007	Maxik	D26/2
D566,300 S *	4/2008	Lo	D26/2
D667,572 S *	9/2012	Yang	D26/2

(73) Assignee: **Illumina Mfg. Co., Ltd.**, Shenzhen (CN)

* cited by examiner

(**) Term: **14 Years**

Primary Examiner — Marcus Jackson

(21) Appl. No.: **29/457,526**

(74) *Attorney, Agent, or Firm* — Dovas Law, P.C.

(22) Filed: **Jun. 11, 2013**

(57) **CLAIM**

The ornamental design for an LED lamp, as shown and described.

(30) **Foreign Application Priority Data**

DESCRIPTION

Dec. 13, 2012 (CN) 2012 3 0624619

(51) **LOC (10) Cl.** **26-04**

FIG. 1 is a front elevational view of an LED lamp showing my new design;

(52) **U.S. Cl.**

FIG. 2 is a rear elevational view of the LED lamp of FIG. 1;

USPC **D26/2**

FIG. 3 is a left side elevational view of the LED lamp of FIG. 1;

(58) **Field of Classification Search**

USPC D26/1-4; 313/313, 315, 316, 317, 318,
313/493; 315/52, 53, 56, 57, 58

FIG. 4 is a right side elevational view of the LED lamp of FIG. 1;

FIG. 5 is a top plan view of the LED lamp of FIG. 1;

FIG. 6 is a bottom plan view of the LED lamp of FIG. 1; and,

FIG. 7 is a perspective view of the LED lamp of FIG. 1.

See application file for complete search history.

1 Claim, 7 Drawing Sheets

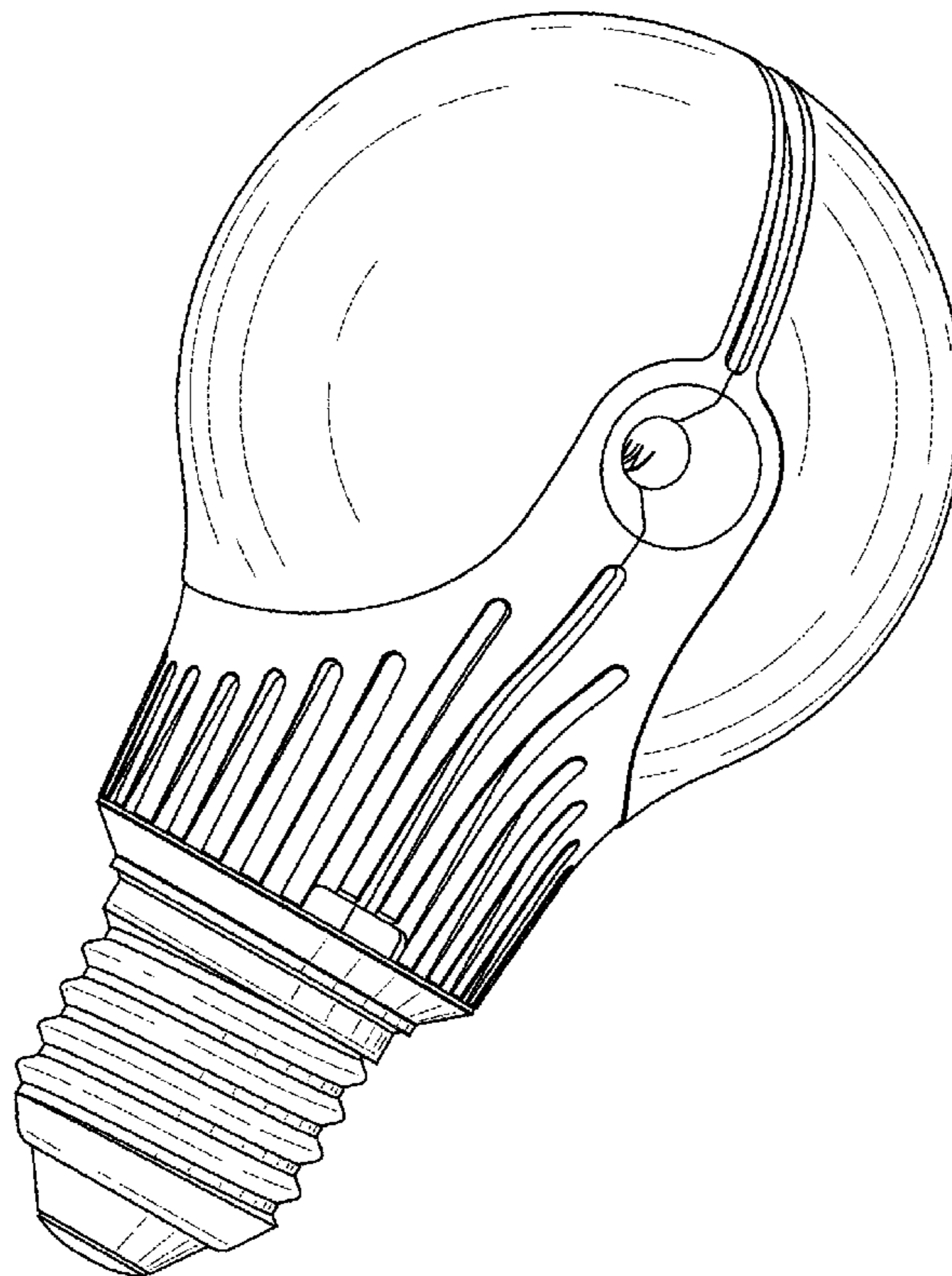


FIG. 1

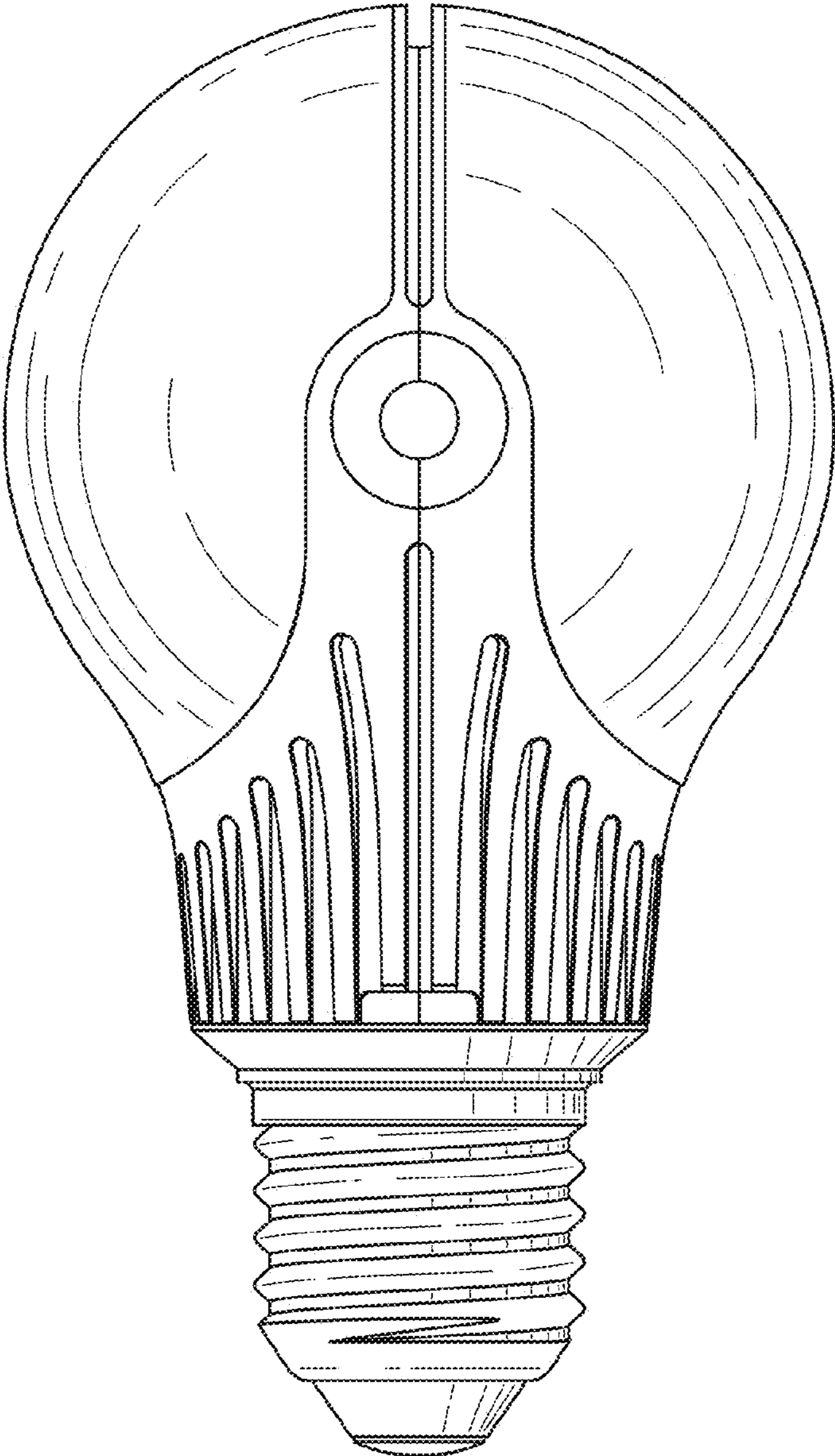


FIG. 2

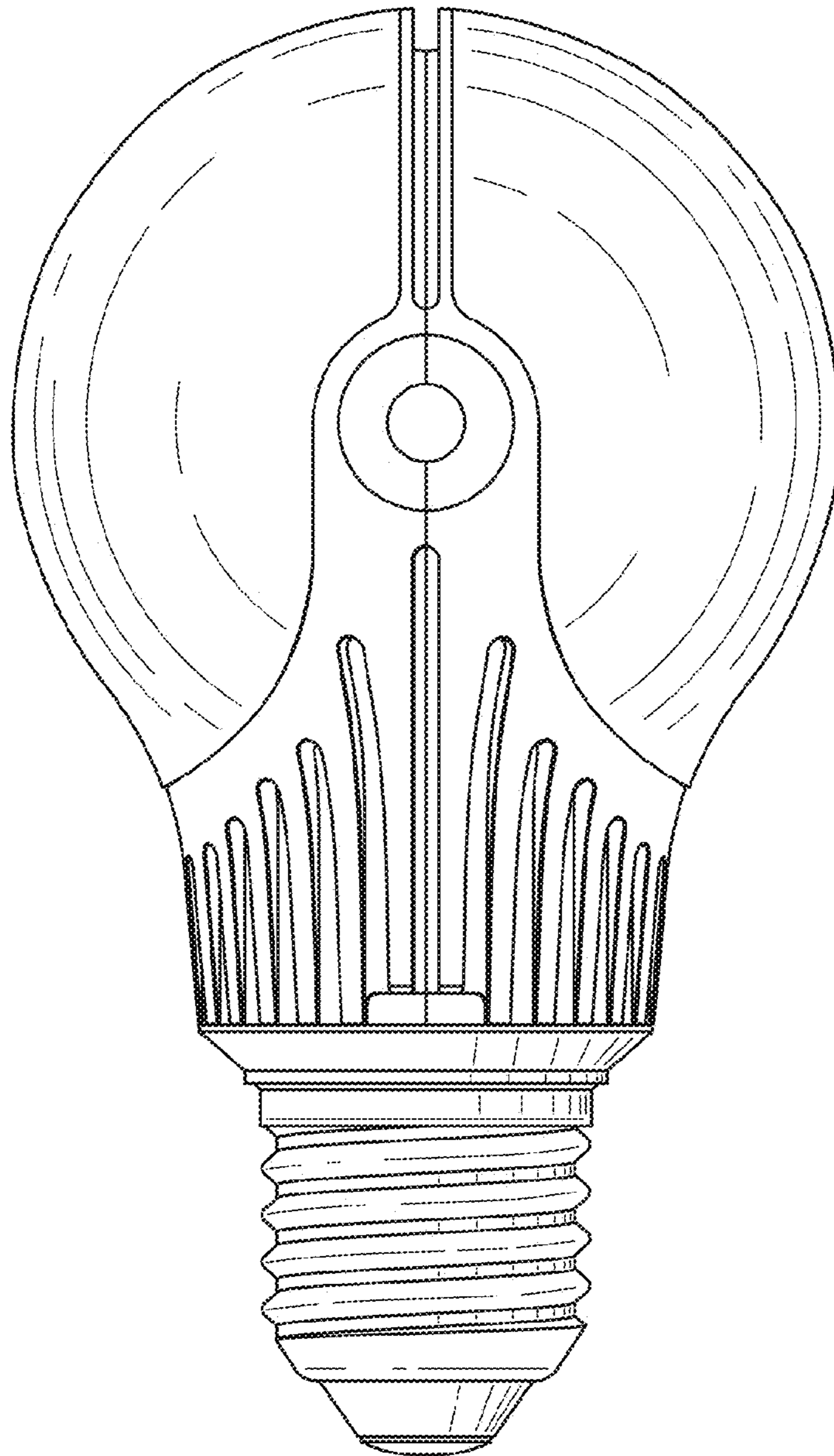


FIG. 3

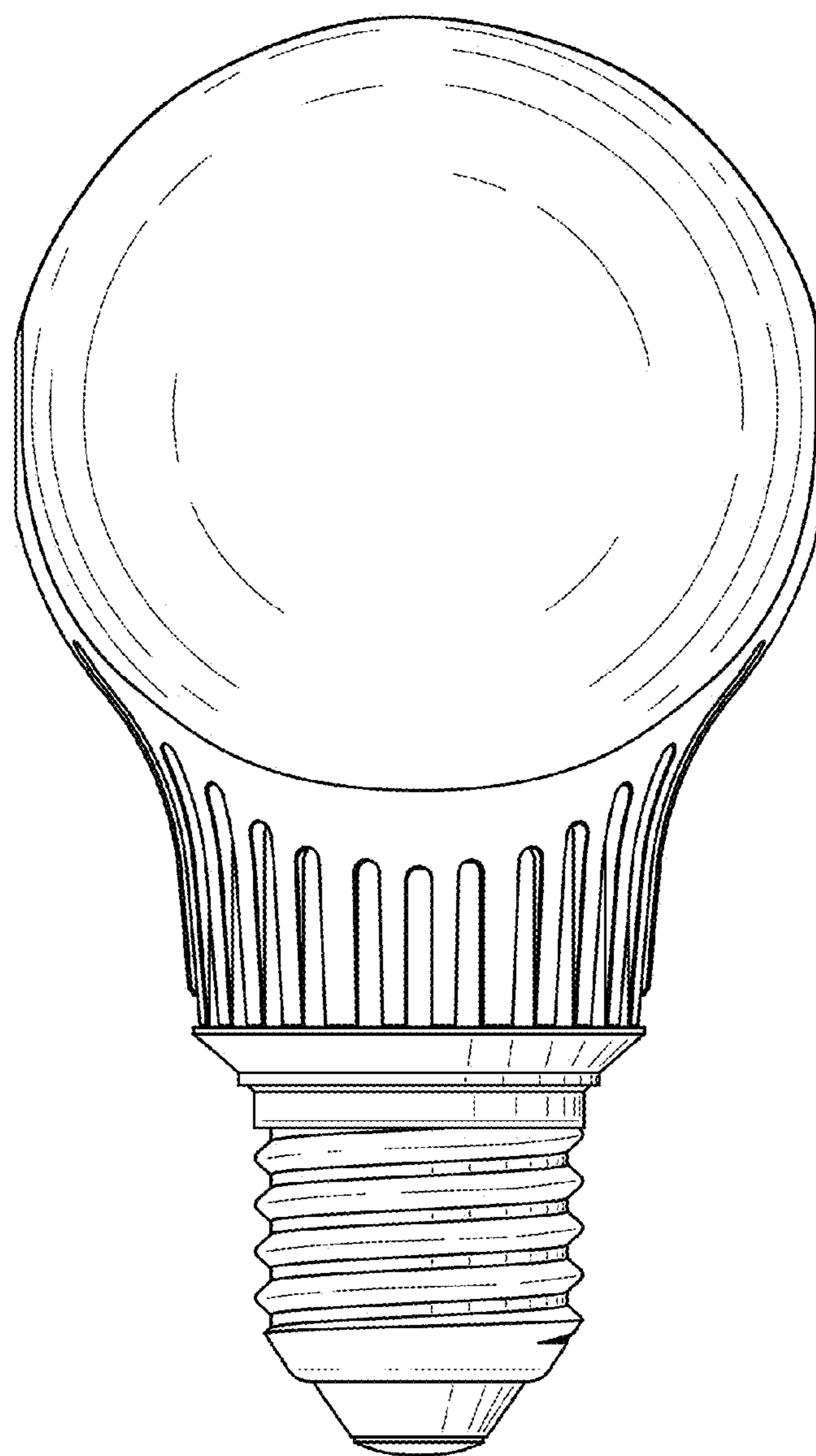


FIG. 4

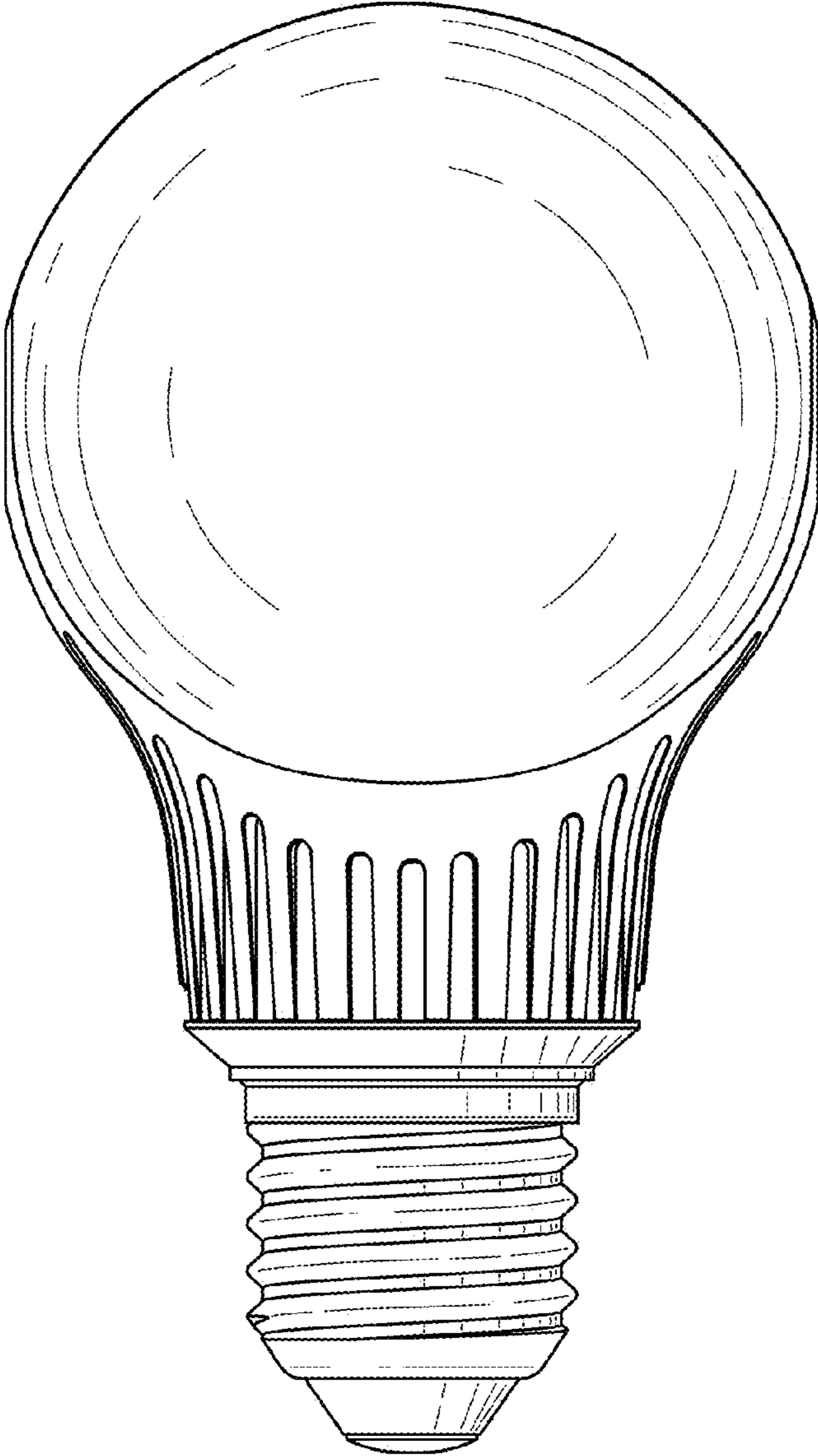


FIG. 5

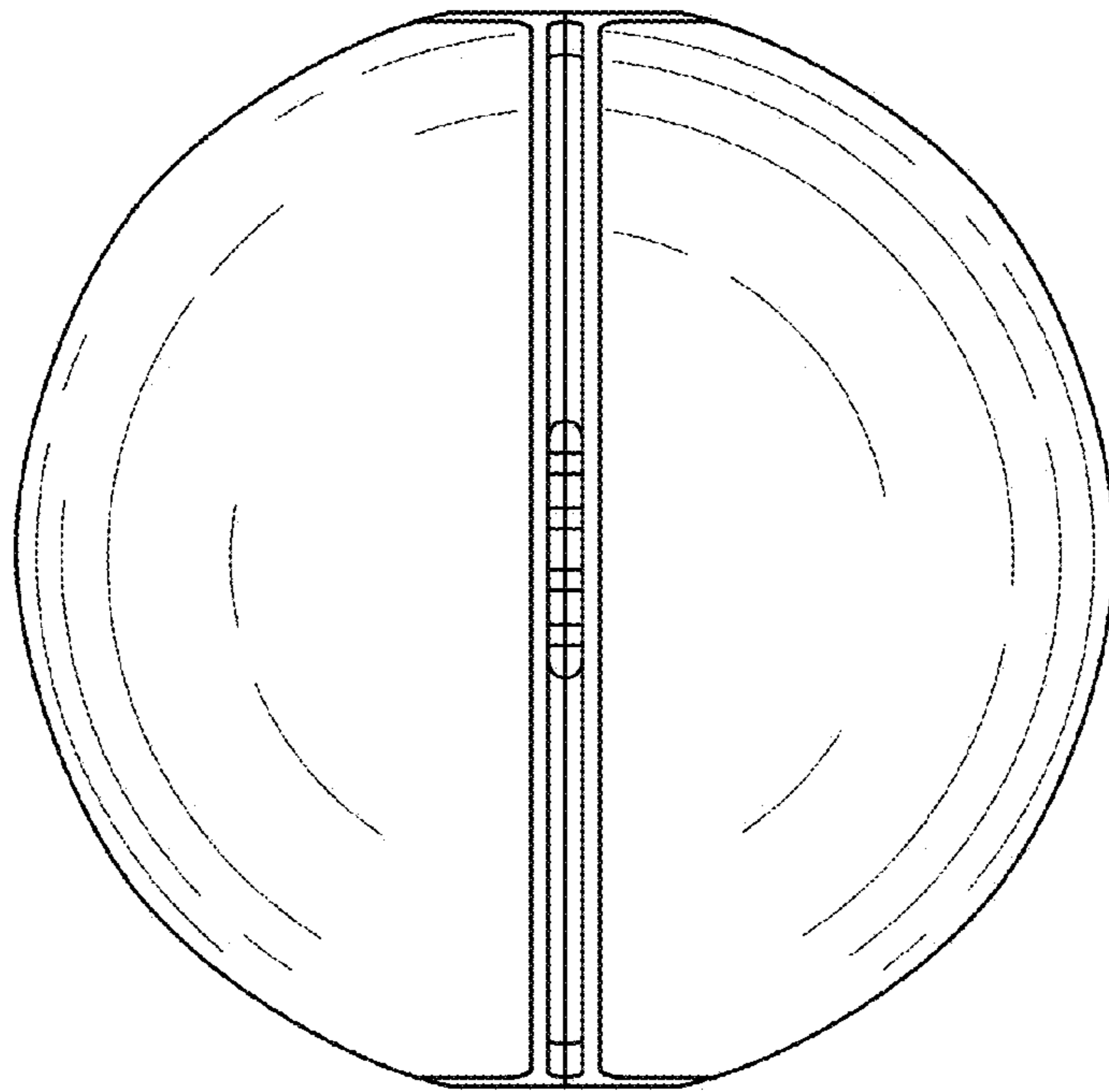


FIG. 6

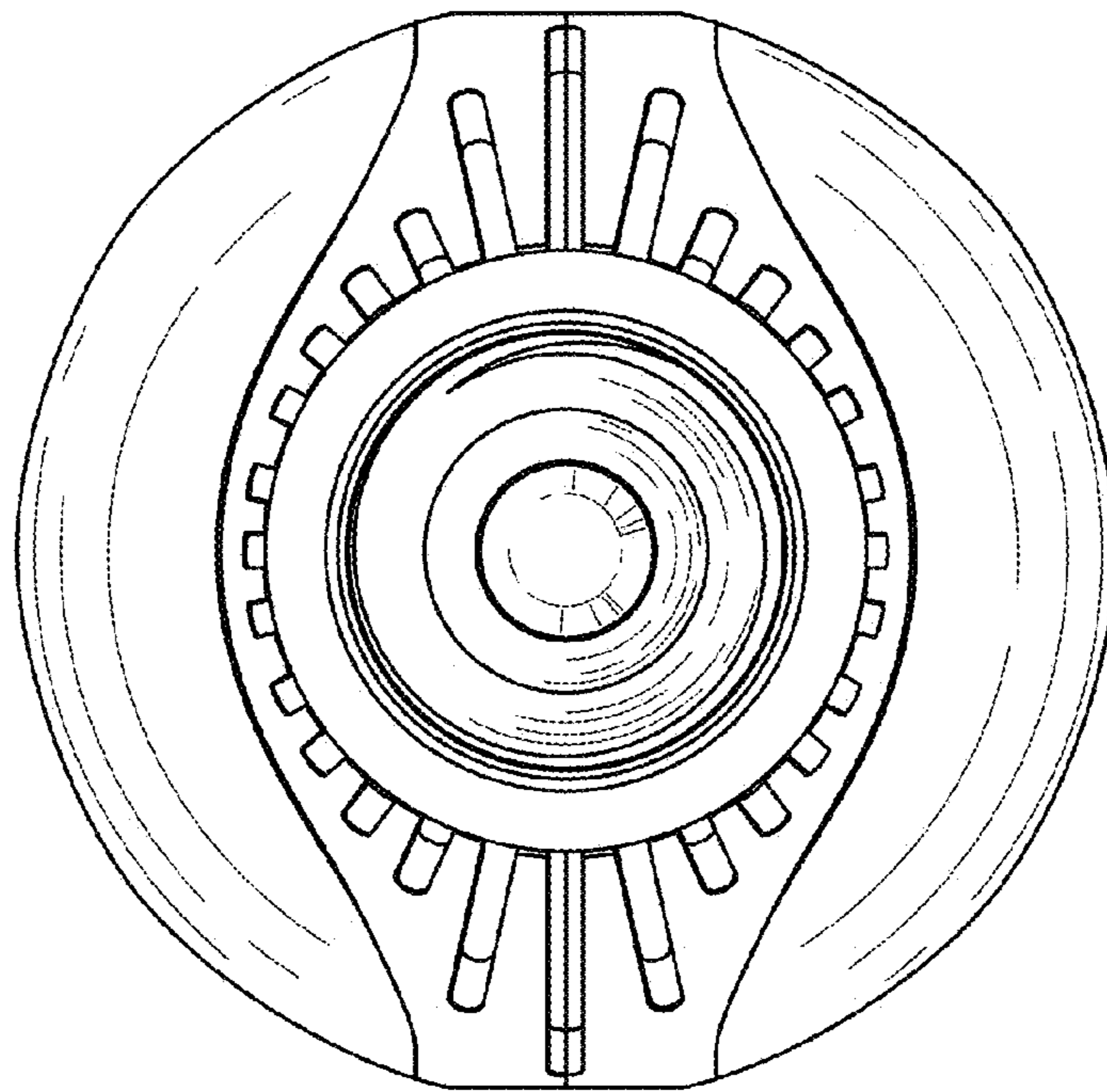


FIG. 7

