



US00D716965S

(12) **United States Design Patent**
Fruscella

(10) **Patent No.:** **US D716,965 S**

(45) **Date of Patent:** **** Nov. 4, 2014**

- (54) **PROTECTIVE CLOSURE FOR A PHARMACEUTICAL VIAL**
- (71) Applicant: **Frederick A. Fruscella**, Bentleyville, OH (US)
- (72) Inventor: **Frederick A. Fruscella**, Bentleyville, OH (US)
- (**) Term: **14 Years**
- (21) Appl. No.: **29/421,923**
- (22) Filed: **Oct. 20, 2012**
- (51) **LOC (10) Cl.** **24-02**
- (52) **U.S. Cl.**
USPC **D24/224**
- (58) **Field of Classification Search**
USPC D24/216, 222-226, 231, 232, 112;
422/558, 916, 913, 550; D9/439,
D9/453-454, 535, 503-504, 529, 445,
D9/694; 600/573; 215/386, 274
See application file for complete search history.

2,474,969 A	7/1949	Bengtson	401/262
2,577,780 A	12/1951	Lockhart	604/415
2,693,188 A	11/1954	Rodriguez	215/11.5
2,800,253 A	7/1957	Henderson	222/209
2,872,950 A	2/1959	Castelli	141/24
2,877,810 A	3/1959	Zackheim	141/24
3,133,310 A	5/1964	Yorker et al.	401/262
3,164,280 A	1/1965	Ford	215/309
3,179,301 A	4/1965	Lucht	222/213
3,233,785 A	2/1966	Burke	73/864.02
3,369,708 A	2/1968	Hein	222/85
3,557,986 A	1/1971	Poole, Jr.	215/228
D232,355 S *	8/1974	Wiedmann	D24/224
D246,800 S *	12/1977	Wong	D24/224
4,133,441 A	1/1979	Mittleman et al.	215/247
4,335,756 A	6/1982	Sharp et al.	138/89
4,353,869 A *	10/1982	Guth	422/558
4,416,400 A	11/1983	Dougherty, Sr.	222/420

(Continued)

Primary Examiner — T. Chase Nelson
Assistant Examiner — Mark Cavanna
 (74) *Attorney, Agent, or Firm* — David A. Burge

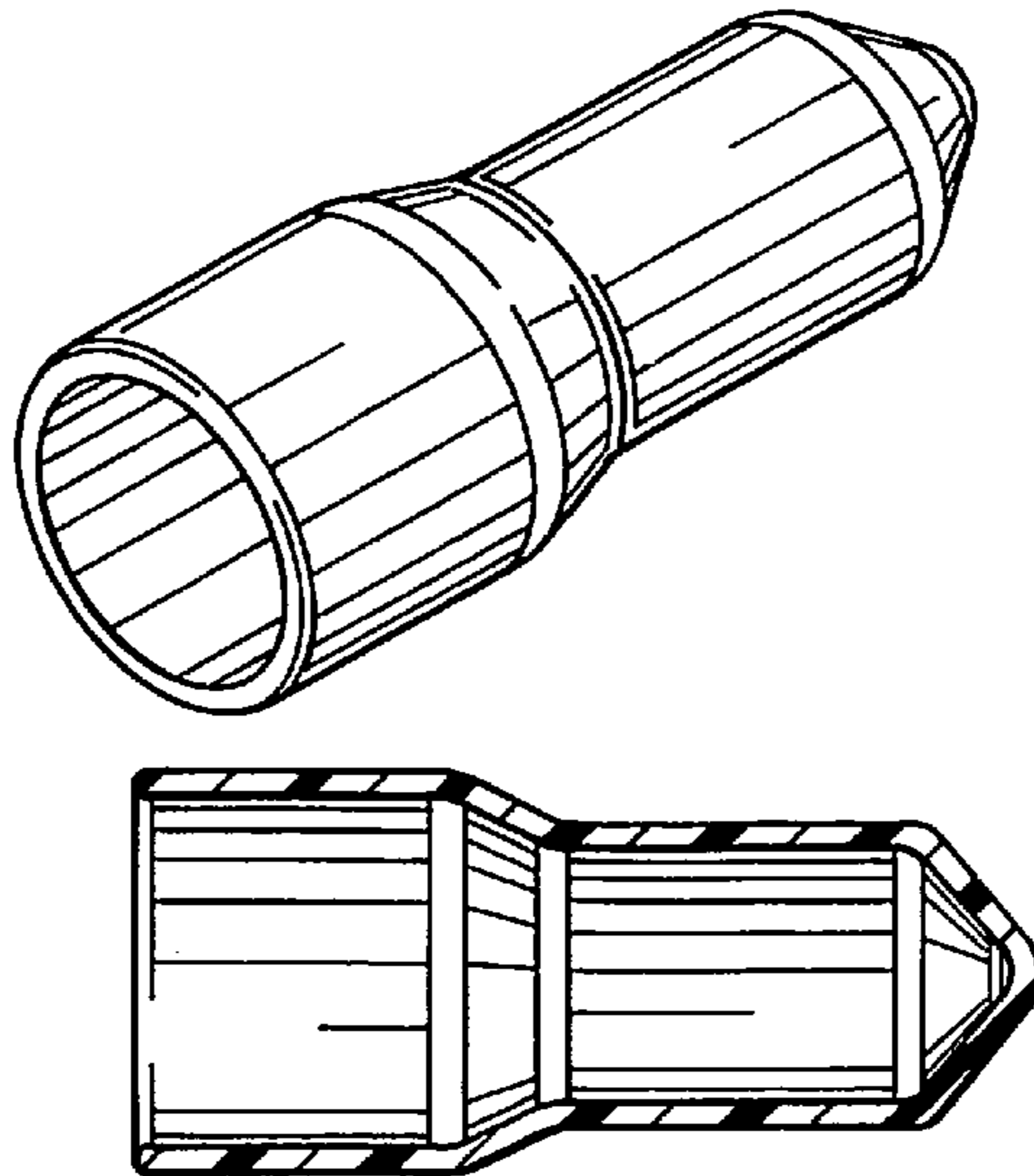
(57) **CLAIM**
 I claim the ornamental design for a protective closure for a pharmaceutical vial, substantially as shown and described.

- (56) **References Cited**
- U.S. PATENT DOCUMENTS
- | | | | |
|-------------|---------|---------------|----------|
| 411,792 A | 10/1889 | Eggers | 141/24 |
| 528,470 A | 10/1894 | Fletcher | 222/158 |
| 672,207 A | 4/1901 | Dunn | 604/299 |
| 1,181,926 A | 5/1916 | Thomas et al. | 215/311 |
| 1,353,397 A | 9/1920 | Ingram | 215/317 |
| 1,556,966 A | 10/1925 | Selig | 16/441 |
| 1,742,778 A | 1/1930 | Miller | 141/24 |
| 1,845,698 A | 2/1932 | Birrell | 141/24 |
| 1,889,209 A | 11/1932 | Mazoyer | 141/24 |
| 2,058,516 A | 10/1936 | Schaaff | 141/24 |
| 2,115,959 A | 5/1938 | Lewis | 239/327 |
| 2,172,544 A | 9/1939 | Panter | 215/317 |
| 2,196,870 A | 4/1940 | Little | 215/11.1 |
| D125,046 S | 2/1941 | Ballentine | D24/115 |
| 2,234,884 A | 3/1941 | Teel | 239/327 |
| 2,321,369 A | 6/1943 | Dubilier | 604/217 |

DESCRIPTION

FIG. 1 is a perspective view of a protective closure for a pharmaceutical vial, showing an open bottom end region and a side of my new design;
 FIG. 2 is a bottom view thereof;
 FIG. 3 is a top view thereof;
 FIG. 4 is a side view thereof, it being understood that other side views are identical hereto;
 FIG. 5 is a cross-sectional view as seen from a plane indicated by a line 5-5 in FIG. 4; and,
 FIG. 6 is a perspective view of the protective closure installed on an upper portion of a pharmaceutical vial that is depicted by broken lines which are for illustrative purposes only and form no part of the claimed design.

1 Claim, 2 Drawing Sheets



(56)

References Cited

U.S. PATENT DOCUMENTS

4,453,935	A	6/1984	Newton	604/197	D410,389	S *	6/1999	Niedospial, Jr.	D9/454
4,562,932	A	1/1986	Finnern	215/249	5,931,828	A	8/1999	Durkee	604/403
4,576,185	A *	3/1986	Proud et al.	600/573	D425,625	S *	5/2000	Niermann	D24/224
D285,115	S *	8/1986	Proud et al.	D24/224	D445,908	S *	7/2001	Conway	D24/224
D287,570	S *	1/1987	Olsen	D24/224	D457,247	S *	5/2002	Iheme et al.	D24/224
4,671,331	A	6/1987	Pruden	141/98	6,447,498	B1	9/2002	Jepson et al.	604/411
4,738,364	A	4/1988	Yeager	206/563	D477,669	S *	7/2003	Zhou et al.	D24/224
D307,052	S *	4/1990	Baxter	D24/224	D518,727	S *	4/2006	Haley et al.	D9/504
D315,680	S *	3/1991	Baxter	D9/439	D533,062	S *	12/2006	Beaver et al.	D9/445
4,998,633	A	3/1991	Schneider	215/311	D548,084	S *	8/2007	Dittmer et al.	D9/504
D338,159	S *	8/1993	Densky et al.	D9/724	7,395,942	B2	7/2008	Michalopoulos	215/311
D356,150	S *	3/1995	Duggan et al.	D24/112	D584,150	S *	1/2009	Gibson et al.	D9/453
5,397,026	A	3/1995	Mayes	222/1	D620,604	S *	7/2010	Alford	D24/224
D360,828	S *	8/1995	Ball	D9/439	D632,802	S *	2/2011	Salinas et al.	D24/224
5,494,170	A	2/1996	Burns	215/247	D634,024	S *	3/2011	Karpiloff et al.	D24/224
D374,613	S *	10/1996	Maxwell et al.	D9/694	8,109,236	B2	2/2012	Brodowski et al.	119/71
5,695,090	A	12/1997	Burdick	220/739	D658,982	S *	5/2012	Pauser et al.	D9/435
5,730,292	A	3/1998	Jones	206/534	D697,412	S *	1/2014	Jenkins	D9/529
5,776,125	A	7/1998	Dudar et al.	604/411	8,701,910	B1	4/2014	Michalopoulos	215/311
					2001/0020607	A1 *	9/2001	Chiarin	215/247
					2003/0098321	A1	5/2003	Kaposi	222/420
					2009/0178998	A1	7/2009	Knight	215/395

* cited by examiner

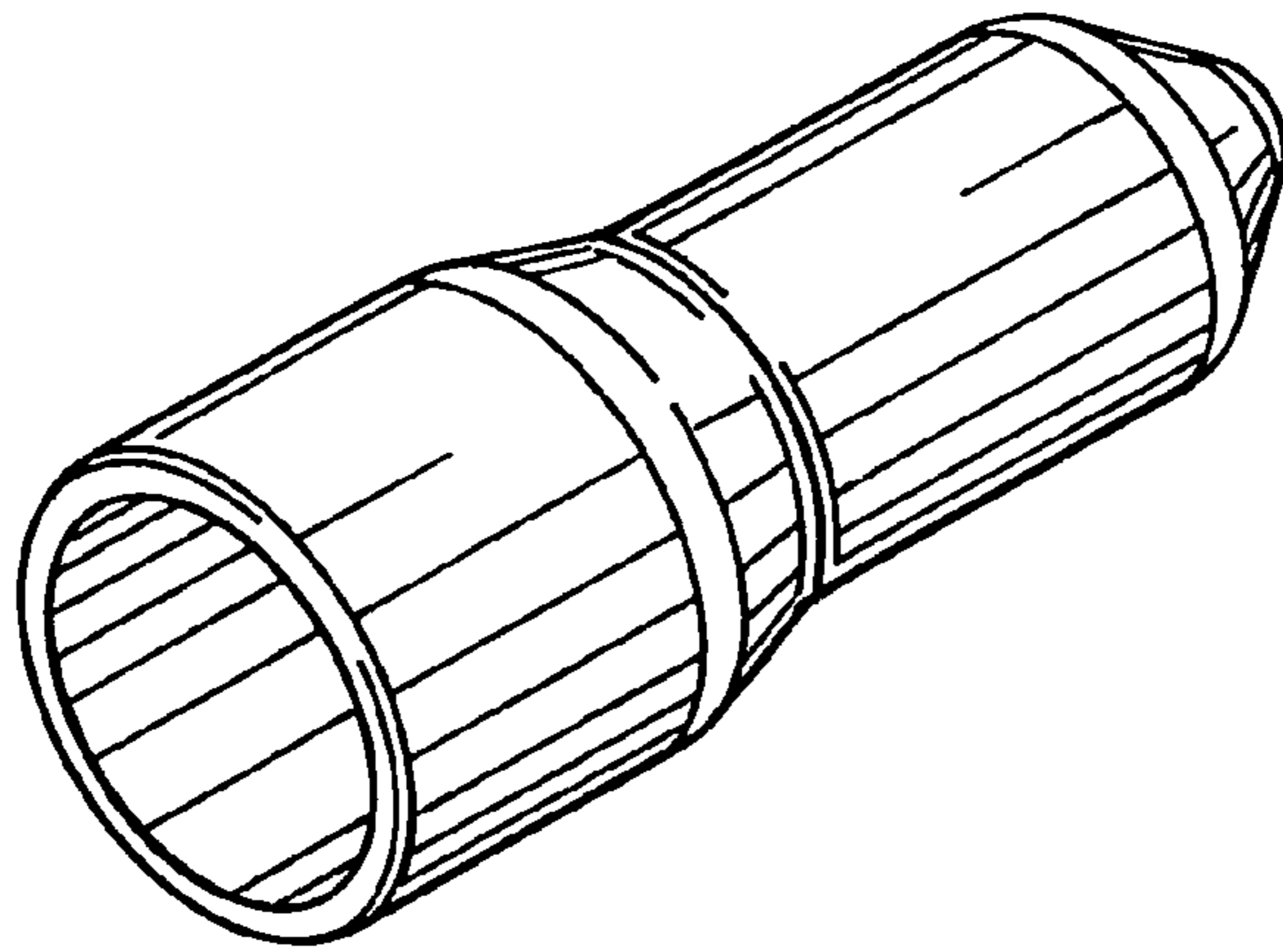


FIG. 1

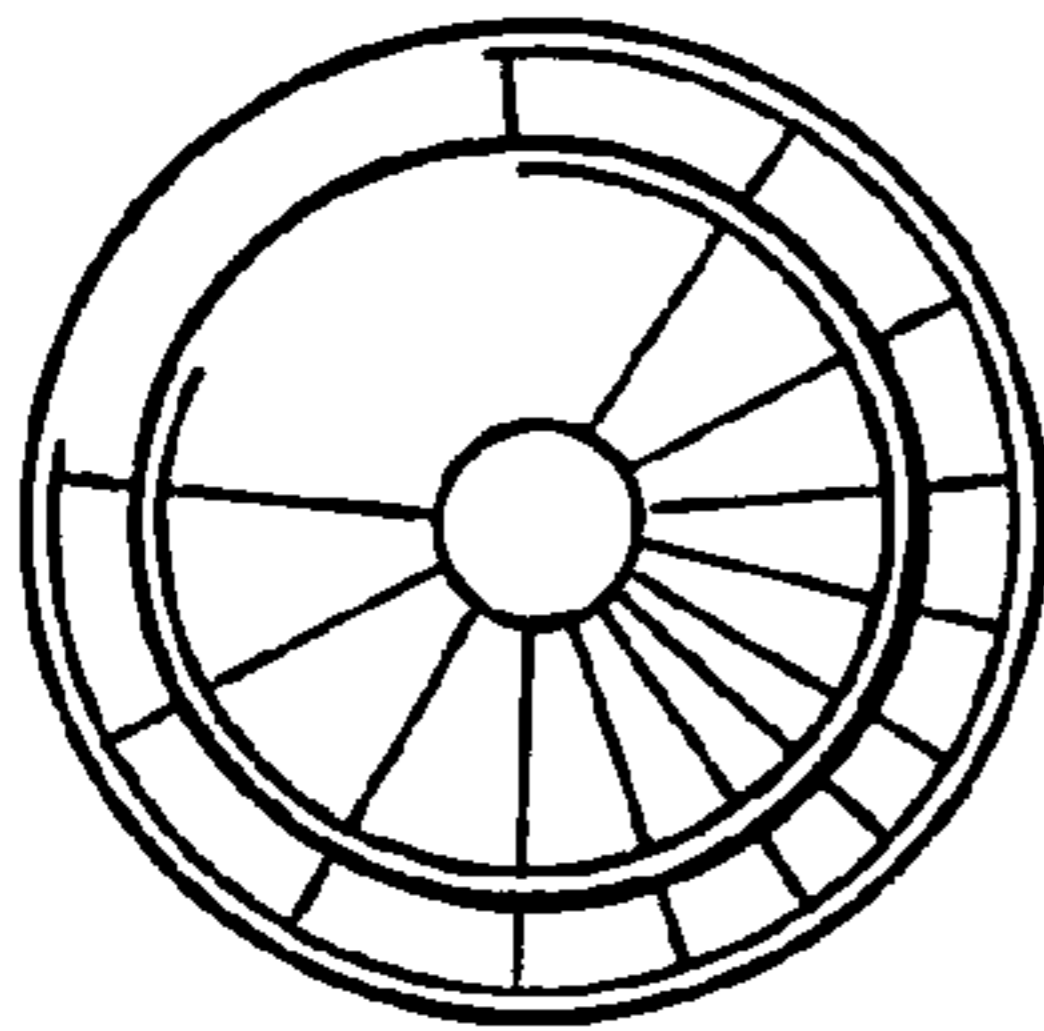


FIG. 2

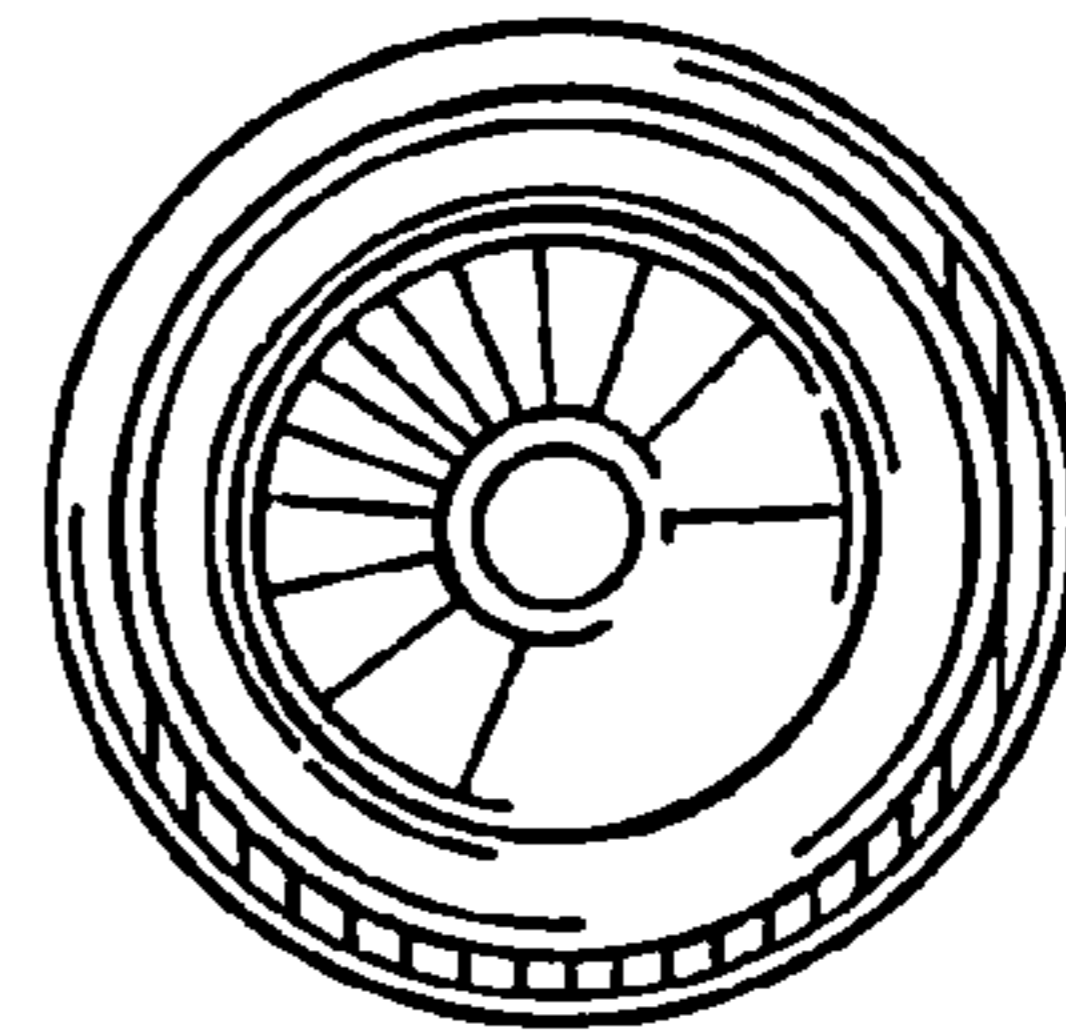


FIG. 3

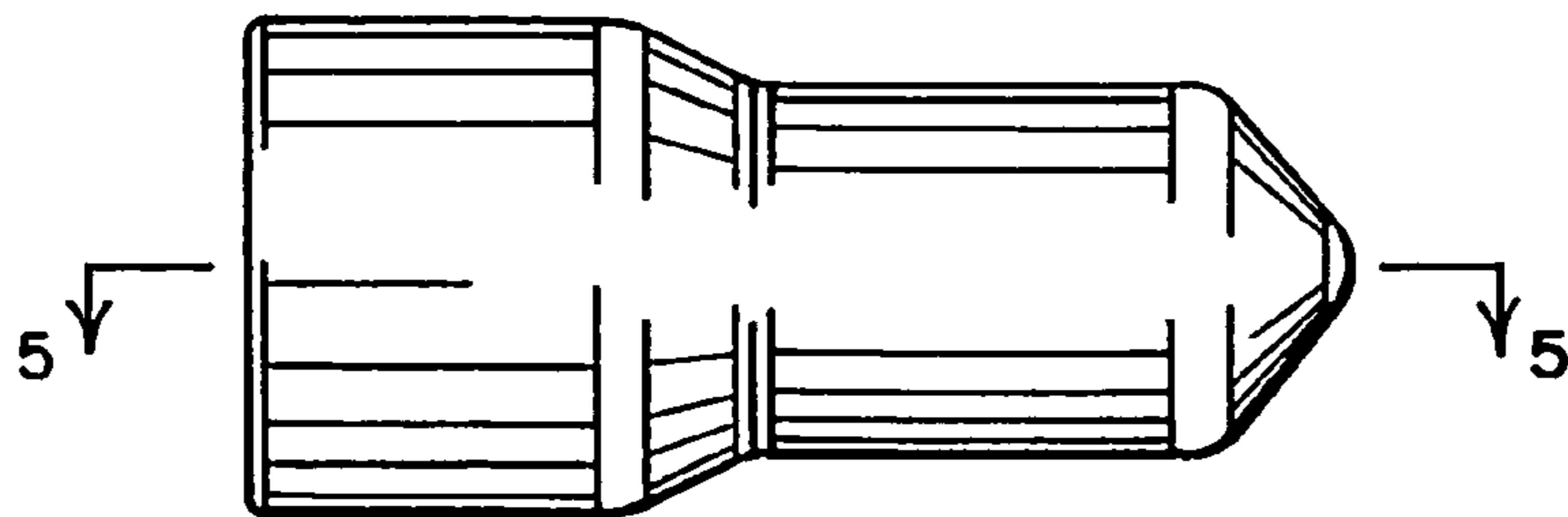


FIG. 4

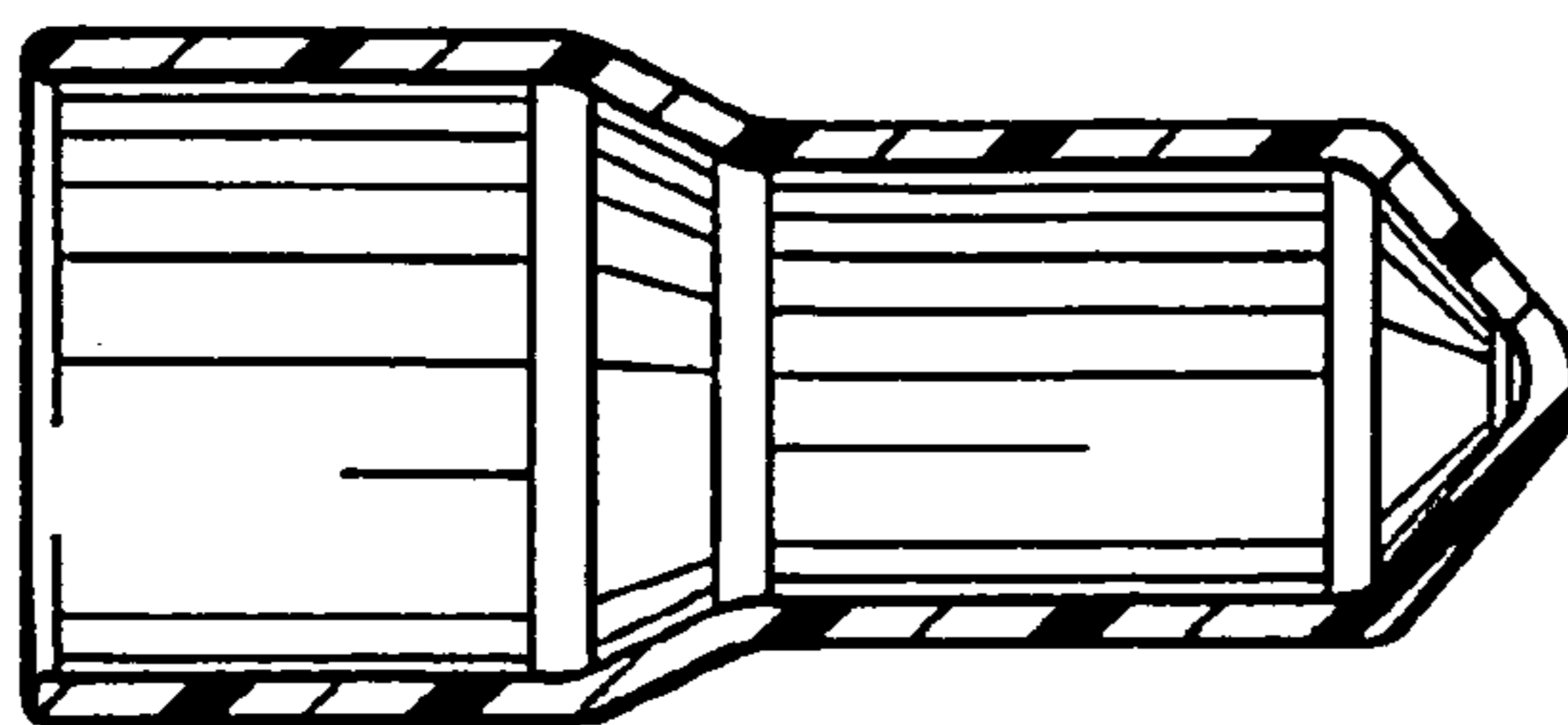


FIG. 5

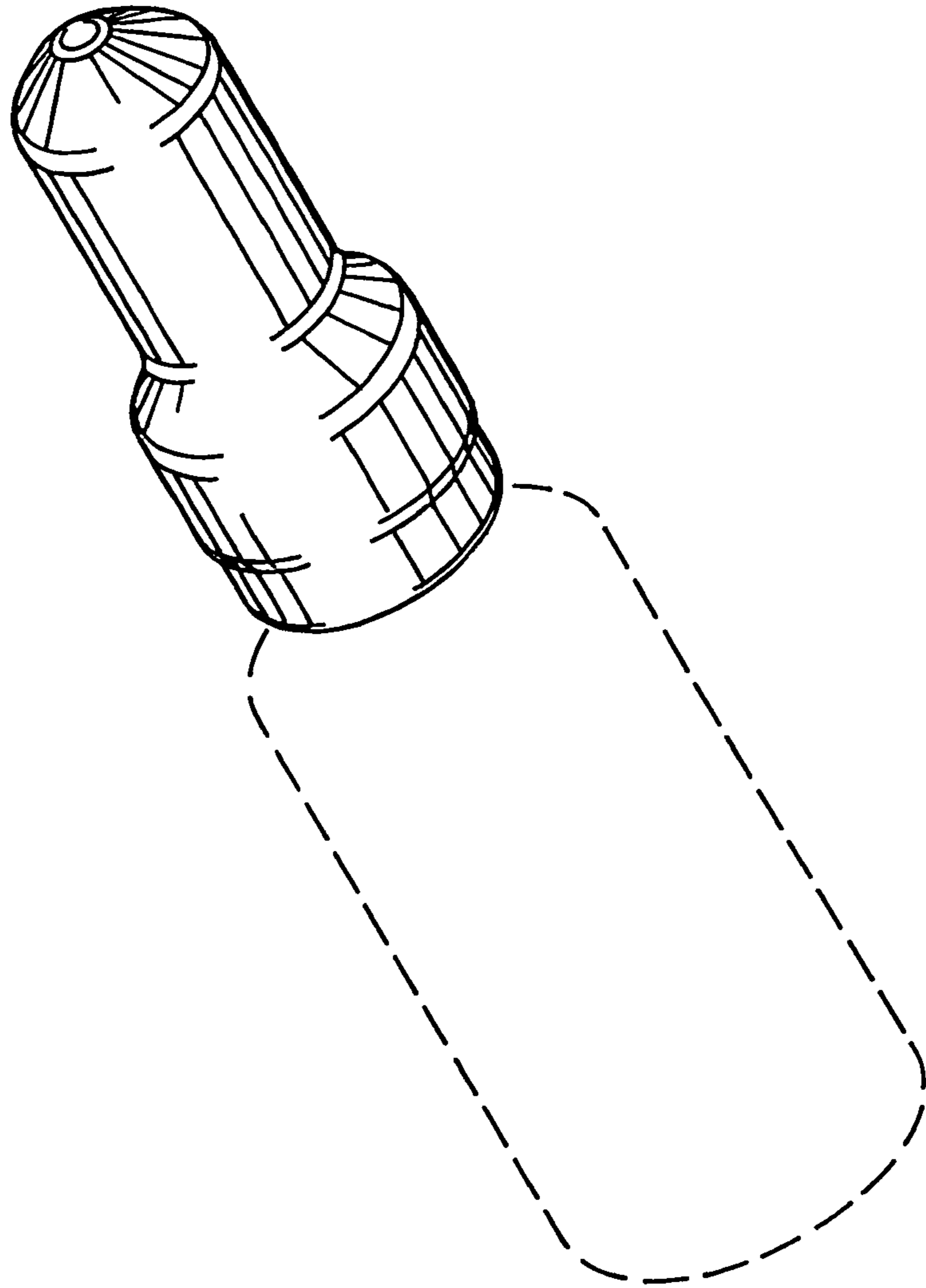


FIG. 6