



US00D716964S

(12) **United States Design Patent**
Amor et al.

(10) **Patent No.:** **US D716,964 S**
(45) **Date of Patent:** **** Nov. 4, 2014**

(54) **CASSETTE FOR STEAM STERILIZER**
(71) Applicant: **American Sterilizer Company**, Mentor,
OH (US)
(72) Inventors: **William Amor**, Chagrin Falls, OH (US);
Michael A. Bacik, Fairview, PA (US);
Michael W. Butler, Highland Heights,
OH (US); **Evan Kessick**, Niles, MI (US)

(73) Assignee: **American Sterilizer Company**, Mentor,
OH (US)

(**) Term: **14 Years**

(21) Appl. No.: **29/484,148**

(22) Filed: **Mar. 6, 2014**

(51) **LOC (10) Cl.** **24-01**

(52) **U.S. Cl.**
USPC **D24/217**

(58) **Field of Classification Search**
USPC D24/216, 217, 218, 219, 227, 231, 194,
D24/197; D3/200, 203.1; D32/1; 422/20,
422/21, 22, 24, 26, 297, 300, 303; 220/529,
220/735; 206/370, 438; D7/326
See application file for complete search history.

(56) **References Cited**

U.S. PATENT DOCUMENTS

D281,539 S * 11/1985 Harrison D32/1
4,671,943 A * 6/1987 Wahlquist 422/300
D316,146 S * 4/1991 Payne et al. D24/227

D421,309 S * 2/2000 Riley et al. D24/217
6,099,812 A * 8/2000 Allen et al. 422/300
D441,457 S * 5/2001 Neiner et al. D24/217
D487,315 S * 3/2004 Picot et al. D24/217
6,759,017 B2 * 7/2004 Wu et al. 422/300
D530,824 S * 10/2006 Bennison D24/217
D557,814 S * 12/2007 Glenn et al. D24/217
D579,117 S * 10/2008 Weiss et al. D24/217
D658,777 S * 5/2012 Sweet et al. D24/217
2014/0050634 A1 * 2/2014 Bacik et al. 422/297

* cited by examiner

Primary Examiner — Anhdao Doan

(74) *Attorney, Agent, or Firm* — Kusner & Jaffe

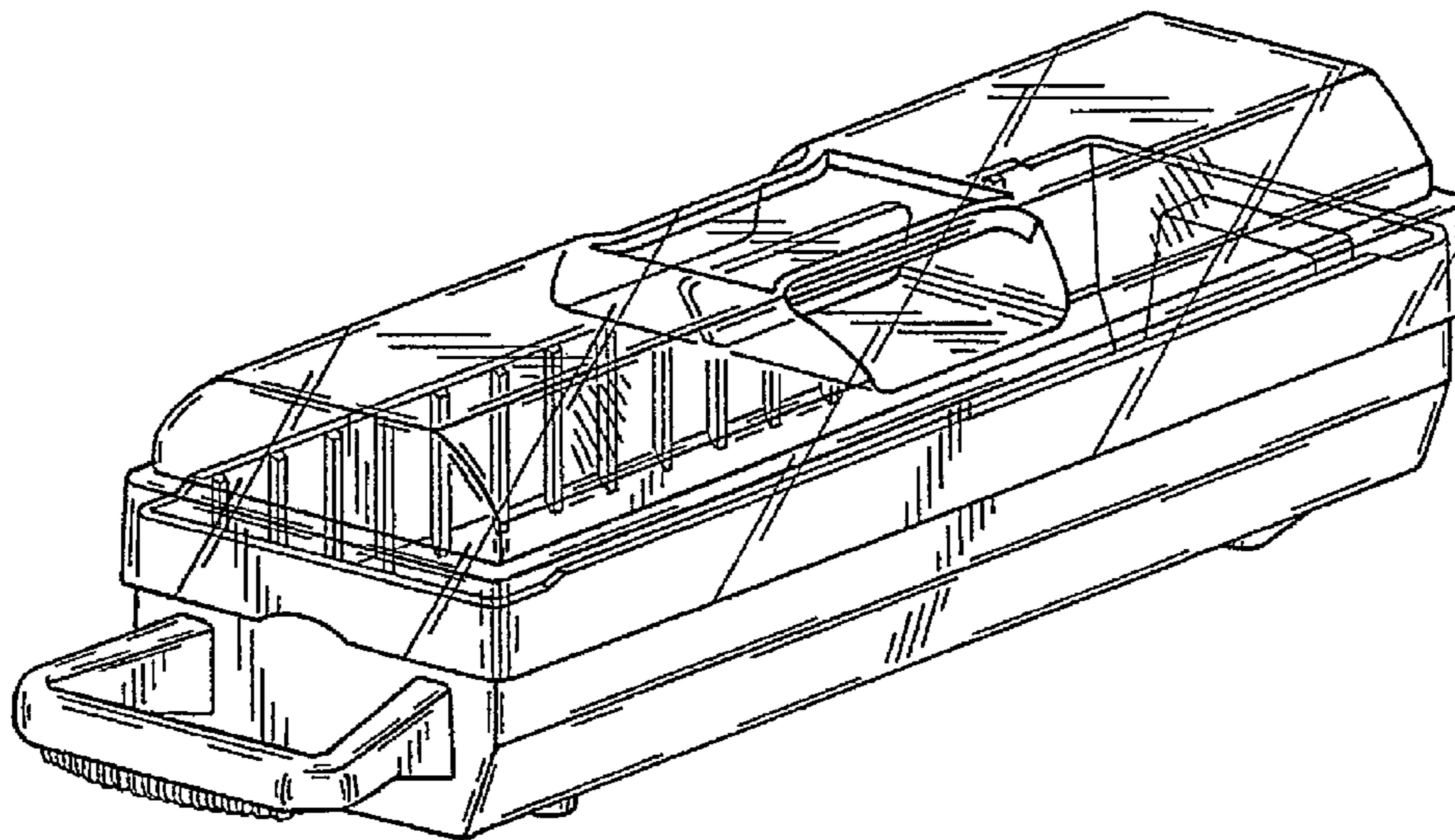
(57) **CLAIM**

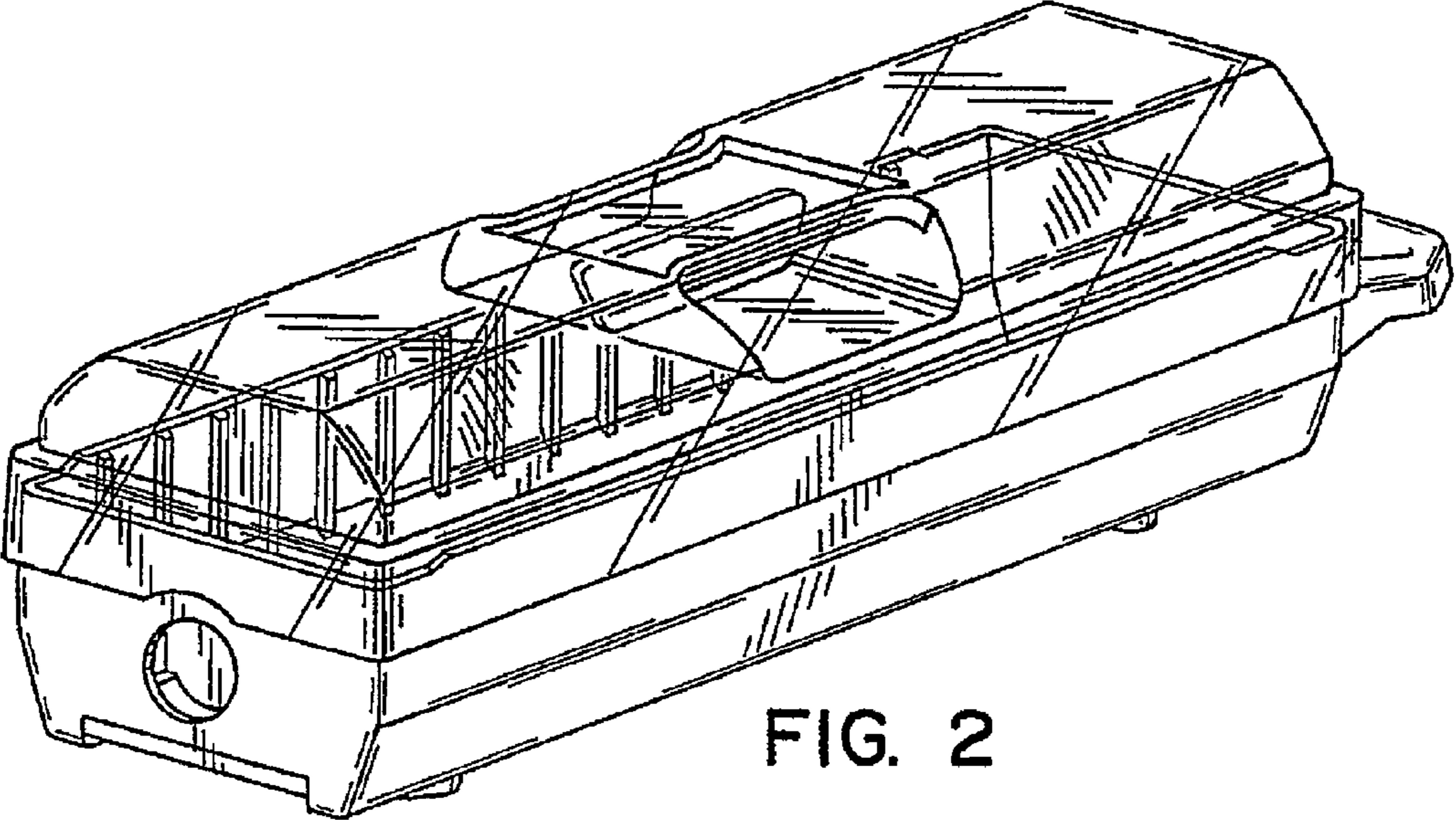
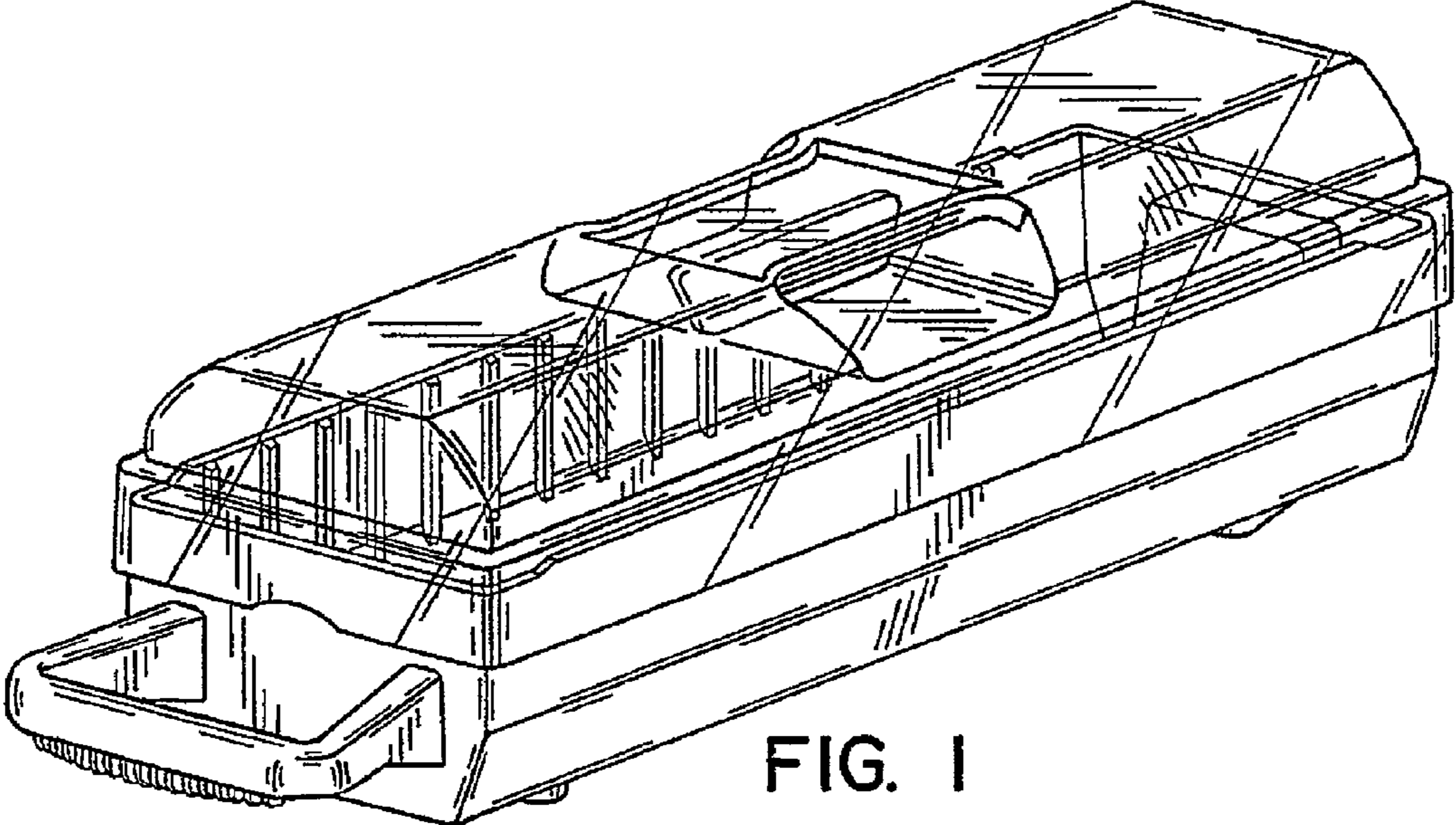
The ornamental design for a cassette for steam sterilizer, as shown and described.

DESCRIPTION

FIG. 1 is a top, front perspective view of a cassette for a steam sterilizer showing our new design;
FIG. 2 is a top, back perspective view of the cassette;
FIG. 3 is a side view thereof, the opposite side being a mirror image thereof;
FIG. 4 is a top view thereof;
FIG. 5 is a front end view thereof;
FIG. 6 is a back end view thereof;
FIG. 7 is a bottom view thereof;
FIG. 8 is a top perspective view of a lid that forms a part of the cassette;
FIG. 9 is a top perspective view of a tray of the cassette;
FIG. 10 is a bottom view of the lid shown in FIG. 8; and,
FIG. 11 is a top plan view of the tray shown in FIG. 9.

1 Claim, 5 Drawing Sheets





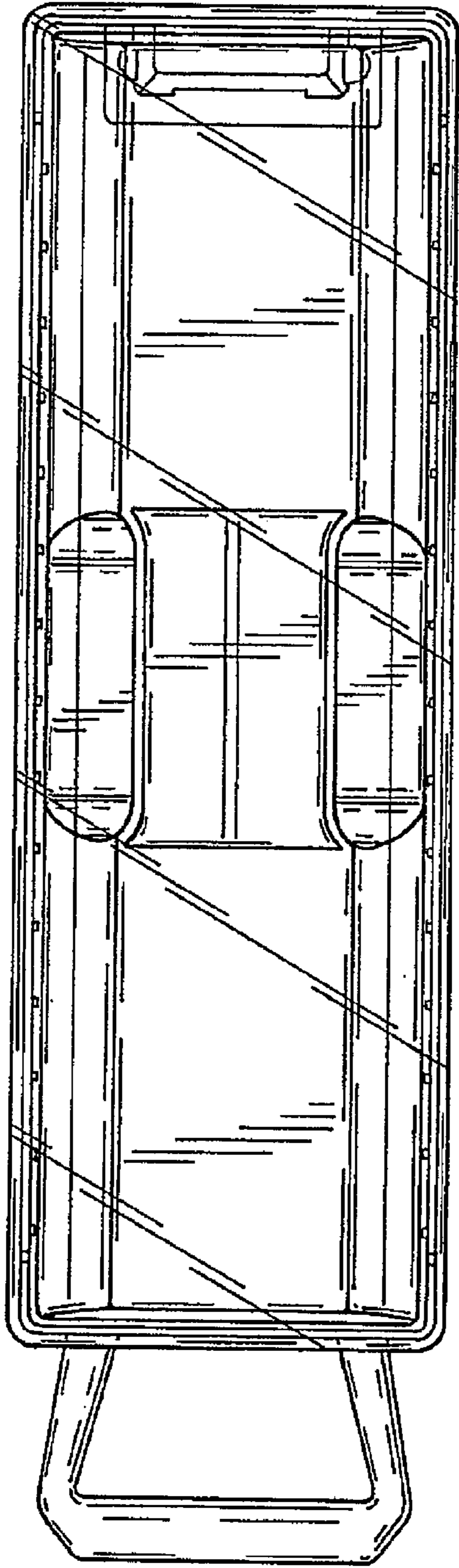


FIG. 4

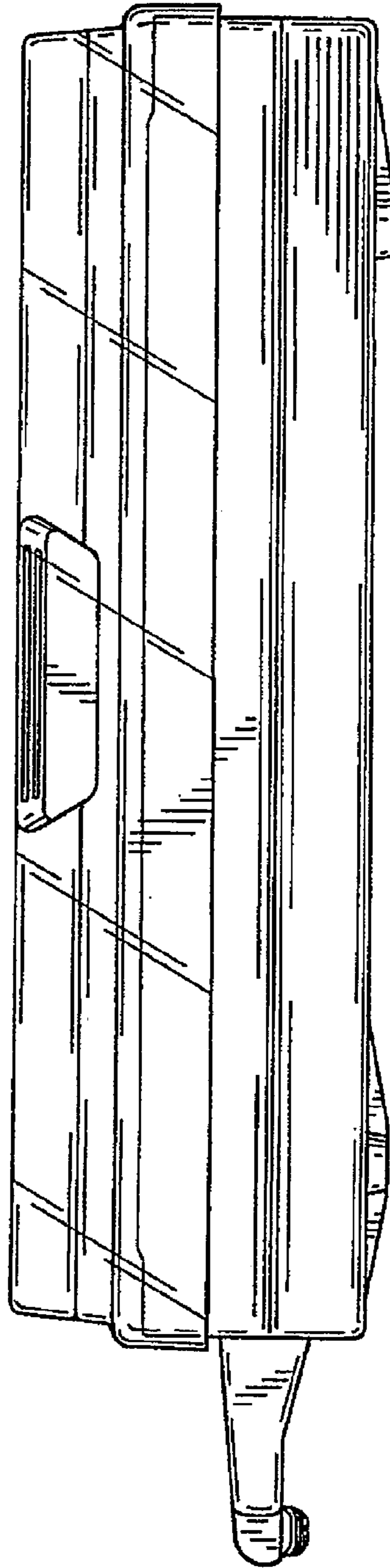


FIG. 3

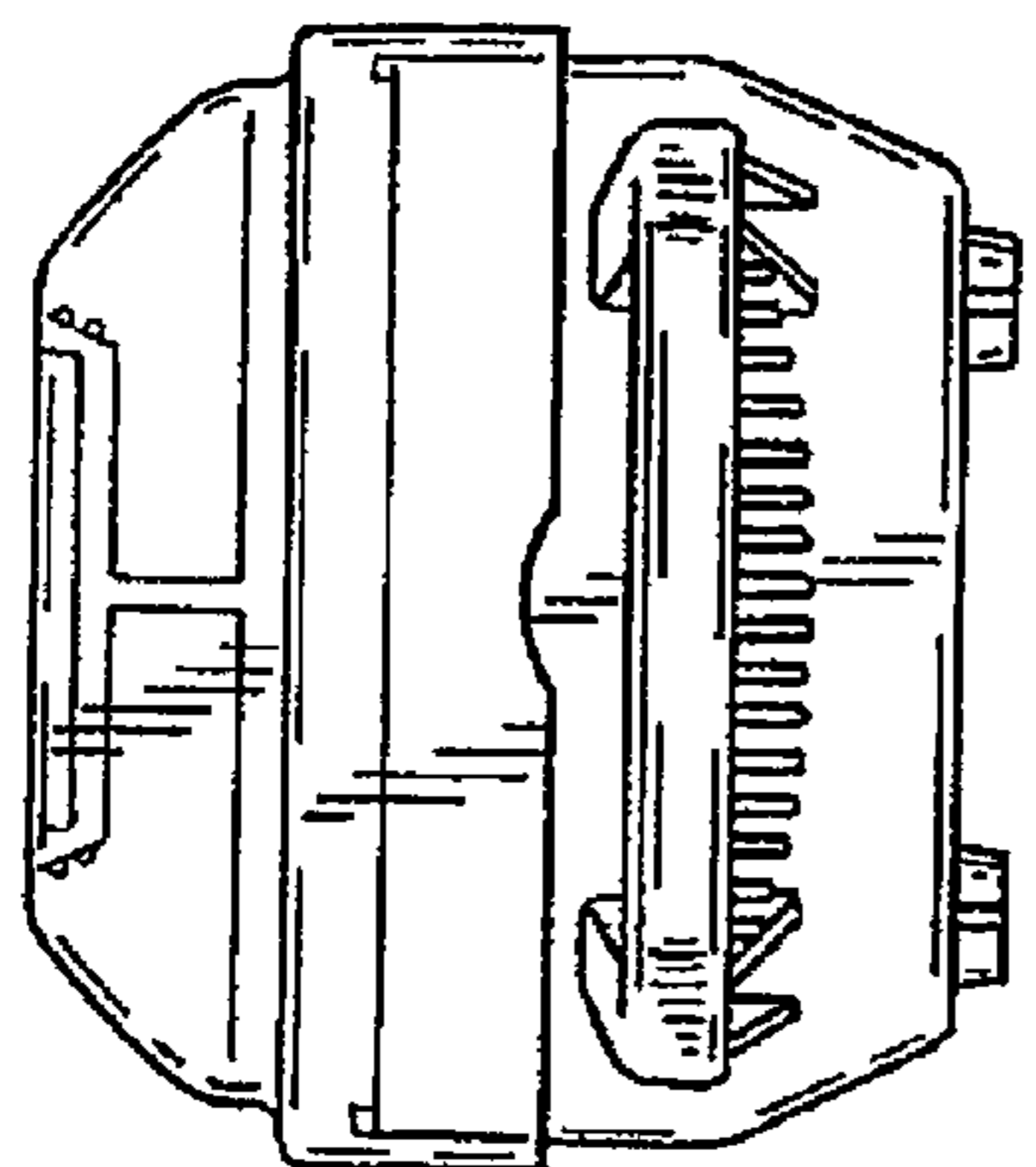


FIG. 5

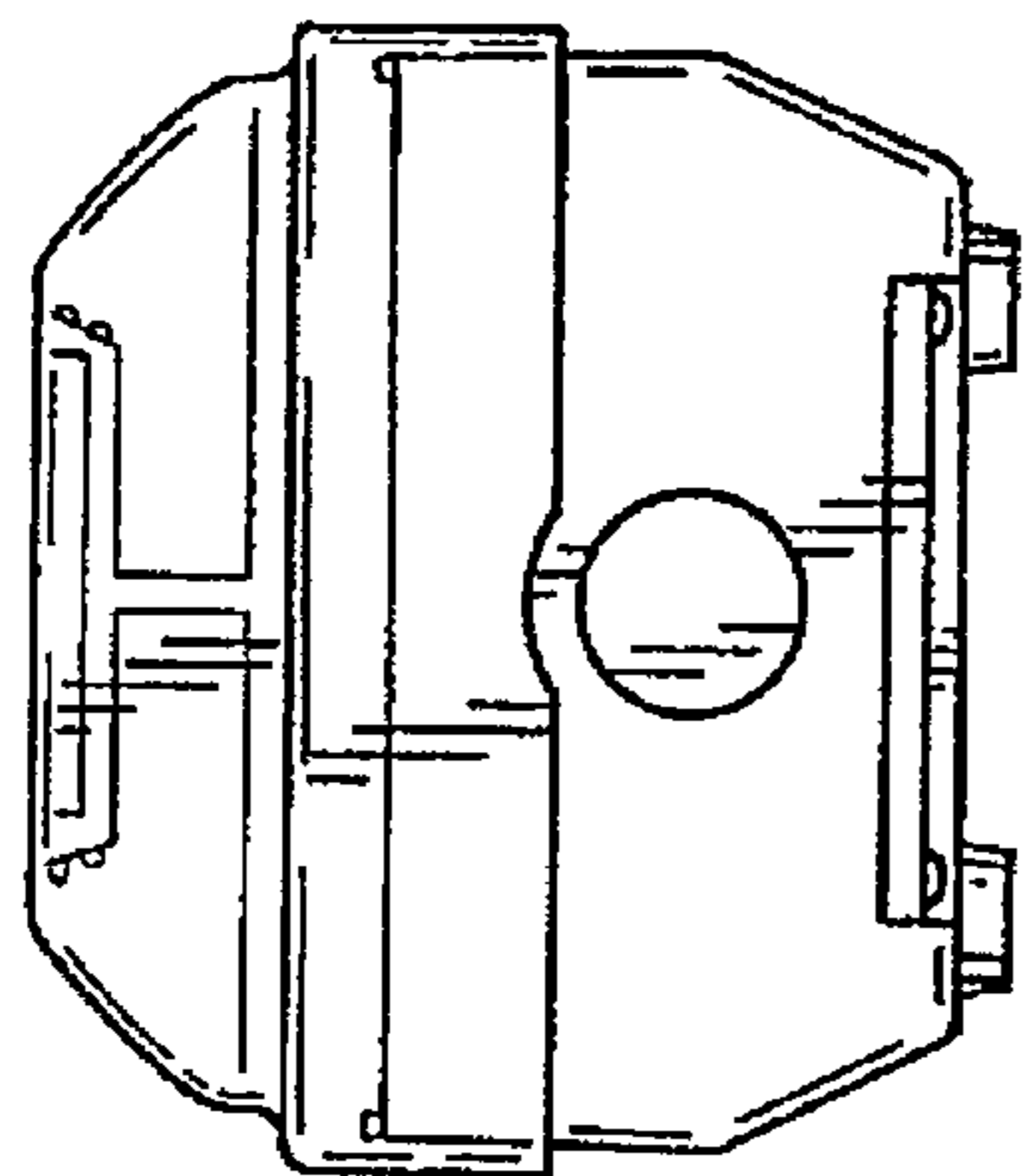


FIG. 6

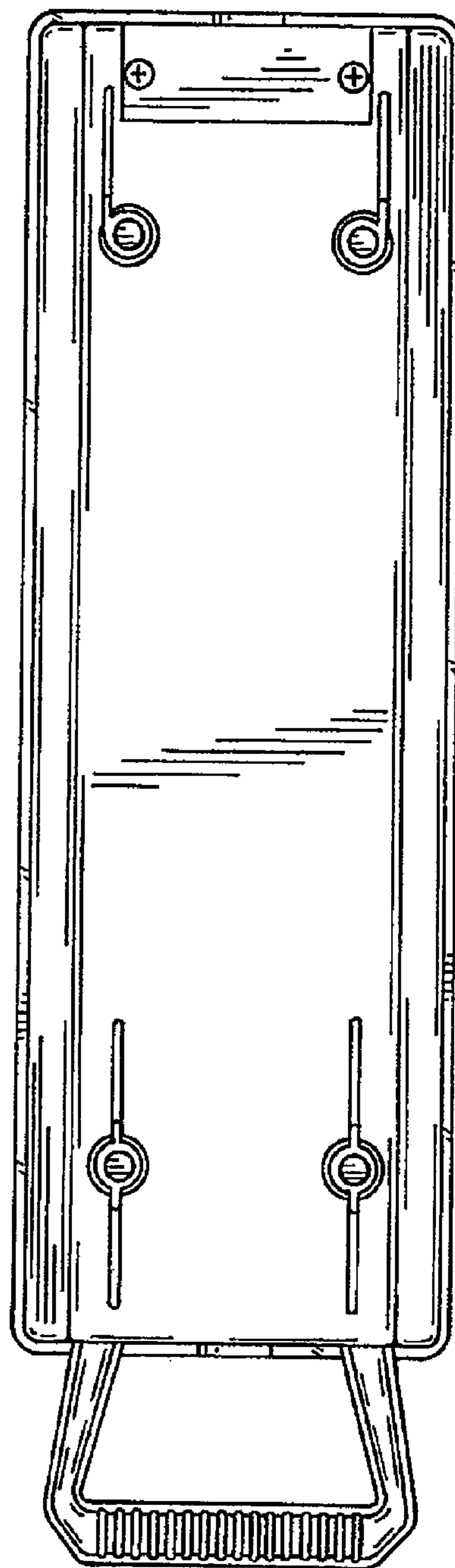


FIG. 7

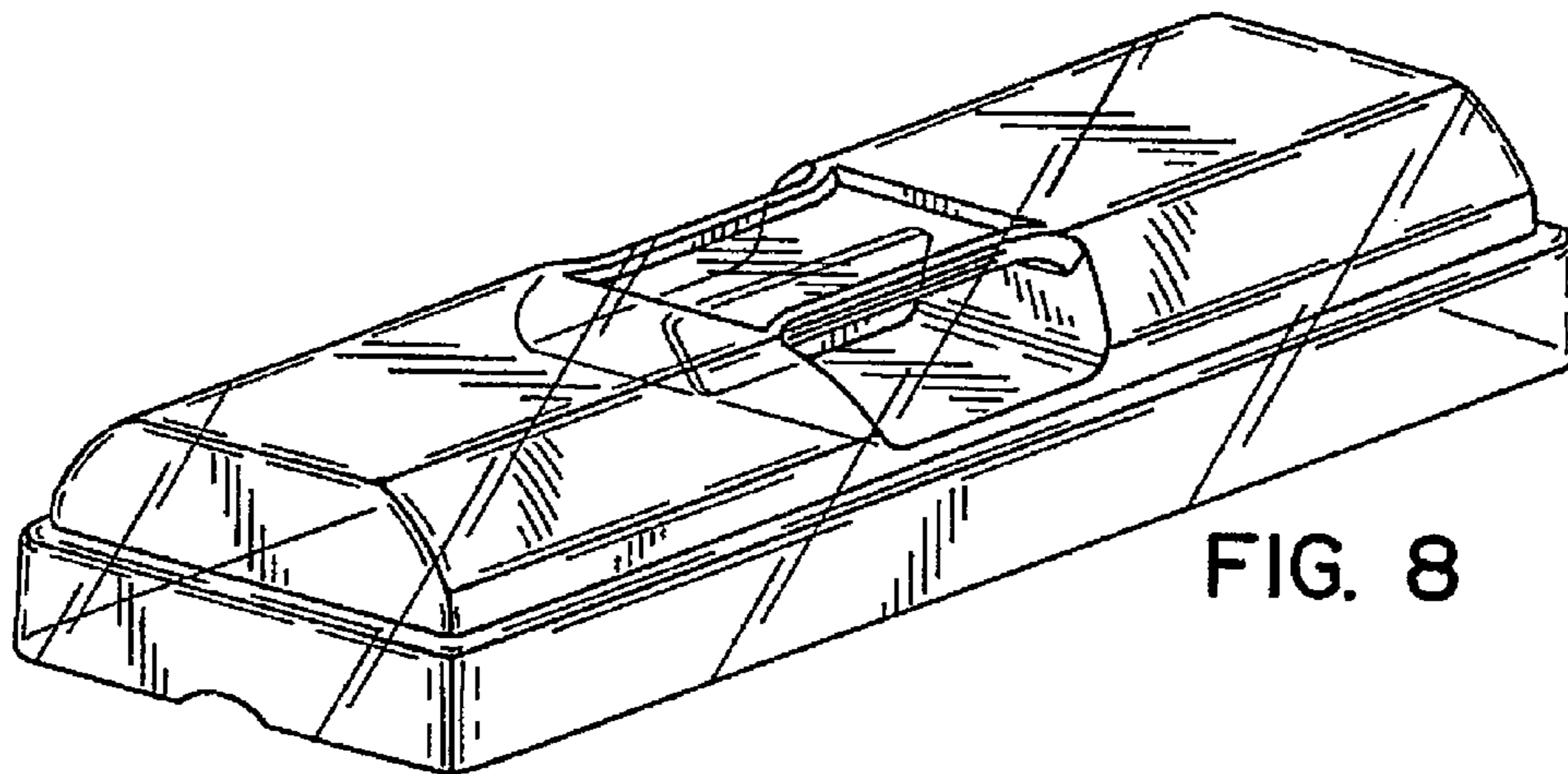


FIG. 8

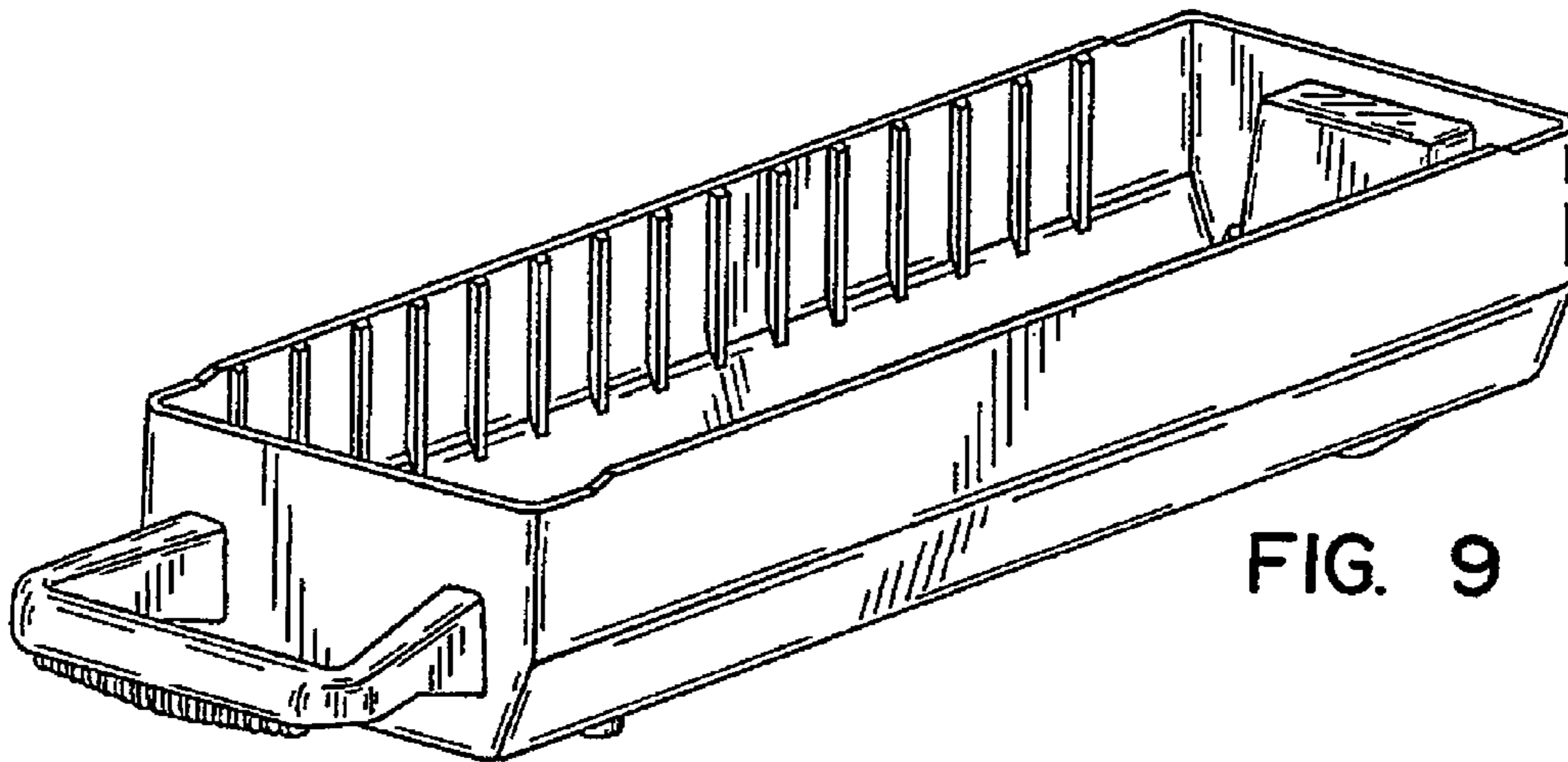


FIG. 9

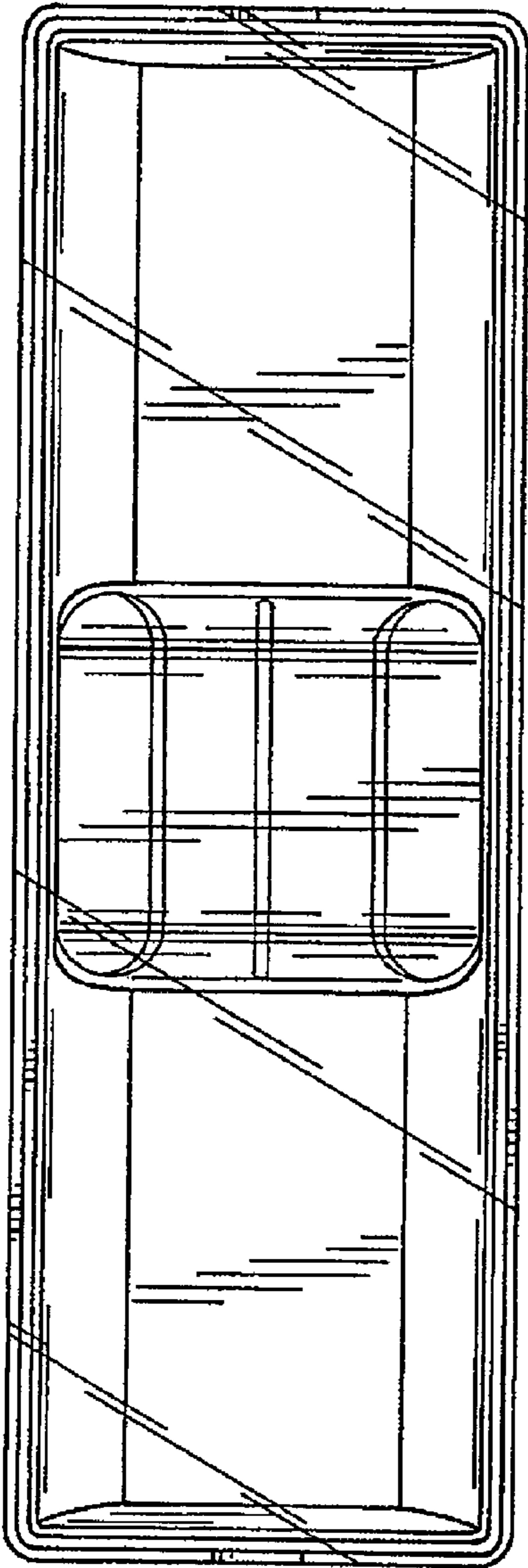


FIG. 10

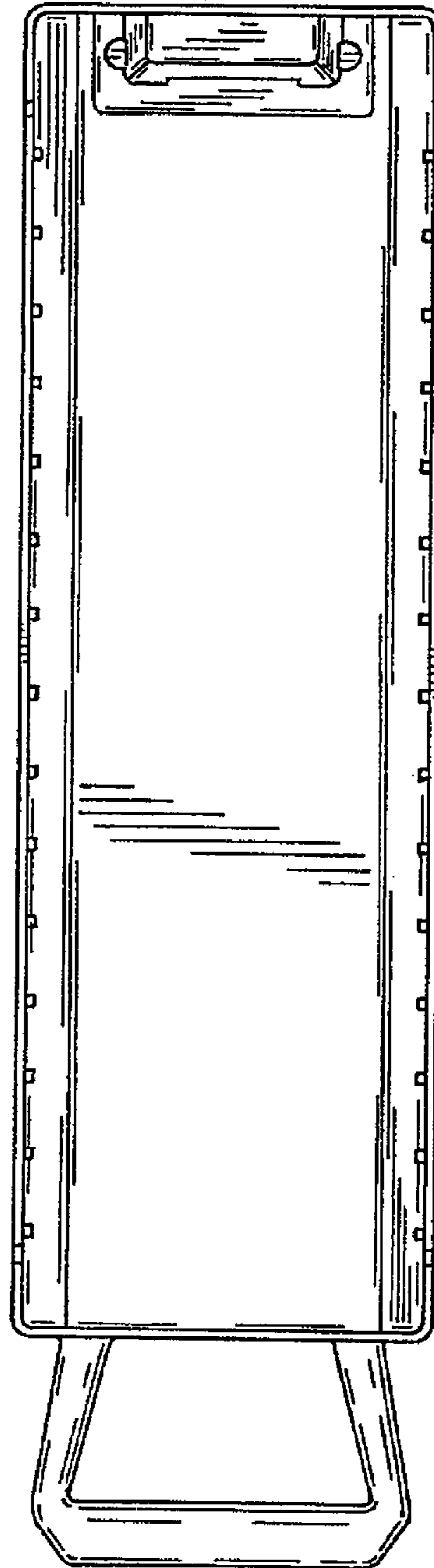


FIG. 11