



US00D716963S

(12) **United States Design Patent**
Yosef et al.

(10) **Patent No.:** **US D716,963 S**

(45) **Date of Patent:** **** Nov. 4, 2014**

(54) **CONTROLLER FOR AN ELECTRIC MASSAGER**

(56) **References Cited**

U.S. PATENT DOCUMENTS

(71) Applicant: **IQ Technologies Inc.**, Las Vegas, NV (US)

3,234,933	A *	2/1966	Martin	601/41
D400,262	S *	10/1998	Hirakawa et al.	D24/215
6,389,319	B1 *	5/2002	Lee	607/76
D487,592	S *	3/2004	Chang	D24/215
D629,528	S *	12/2010	Adkisson	D24/215
D630,188	S *	1/2011	Daniels	D14/218
D634,734	S *	3/2011	Cho	D14/218
D654,055	S *	2/2012	Won et al.	D14/218
D675,747	S *	2/2013	Luying	D24/215
D676,142	S *	2/2013	Chen	D24/215

(72) Inventors: **Elli Yosef**, Las Vegas, NV (US); **Yoni Yosef**, Las Vegas, NV (US)

(**) Term: **14 Years**

* cited by examiner

(21) Appl. No.: **29/493,554**

Primary Examiner — Sandra Snapp

(22) Filed: **Jun. 11, 2014**

(51) **LOC (10) Cl.** **28-03**

(57) **CLAIM**

(52) **U.S. Cl.**

The ornamental design for a controller for an electric massager, as shown and described.

USPC **D24/215**

DESCRIPTION

(58) **Field of Classification Search**

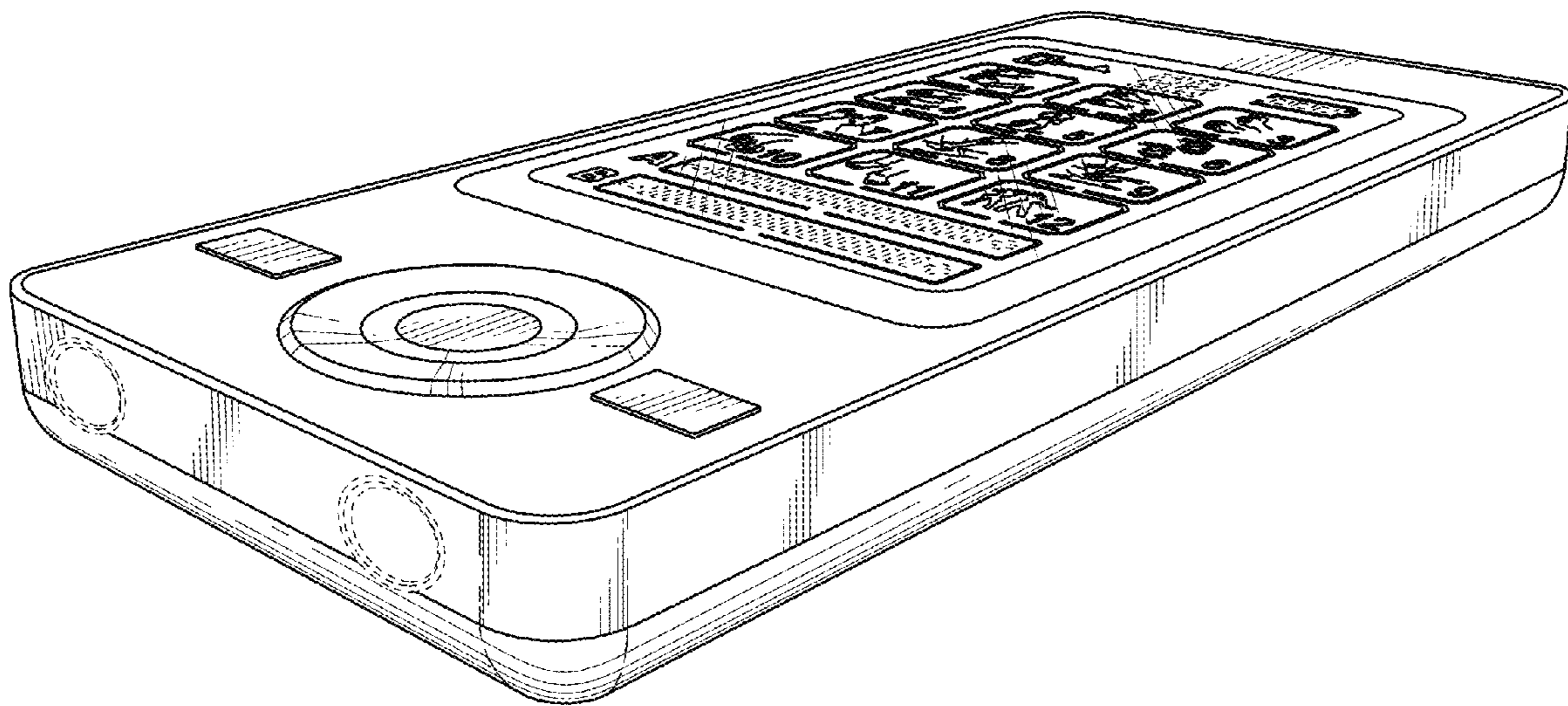
CPC A61H 19/30; A61H 19/32; A61H 19/34; A61H 19/40; A61H 19/44; A61H 19/50; A61H 19/00; A61H 2201/0153; A61H 2201/0207; A61H 2201/0263; A61H 2201/0111; A61H 2201/1253; A61H 2205/082; A61H 2205/085; A61H 15/0085

USPC D24/200, 211, 212, 213, 214, 215; 601/114, 120, 121, 124, 125, 130, 131, 601/134, 135, 136, 137; D14/218

FIG. 1 is a front elevational view of a controller for an electrical massager showing our new design; FIG. 2 is a first perspective view thereof; FIG. 3 is a second perspective view thereof; FIG. 4 is a rear elevational view thereof; FIG. 5 is a left side elevational view thereof; FIG. 6 is a right side elevational view thereof; FIG. 7 is a top plan view thereof; and, FIG. 8 is a bottom plan view thereof.

See application file for complete search history.

1 Claim, 6 Drawing Sheets



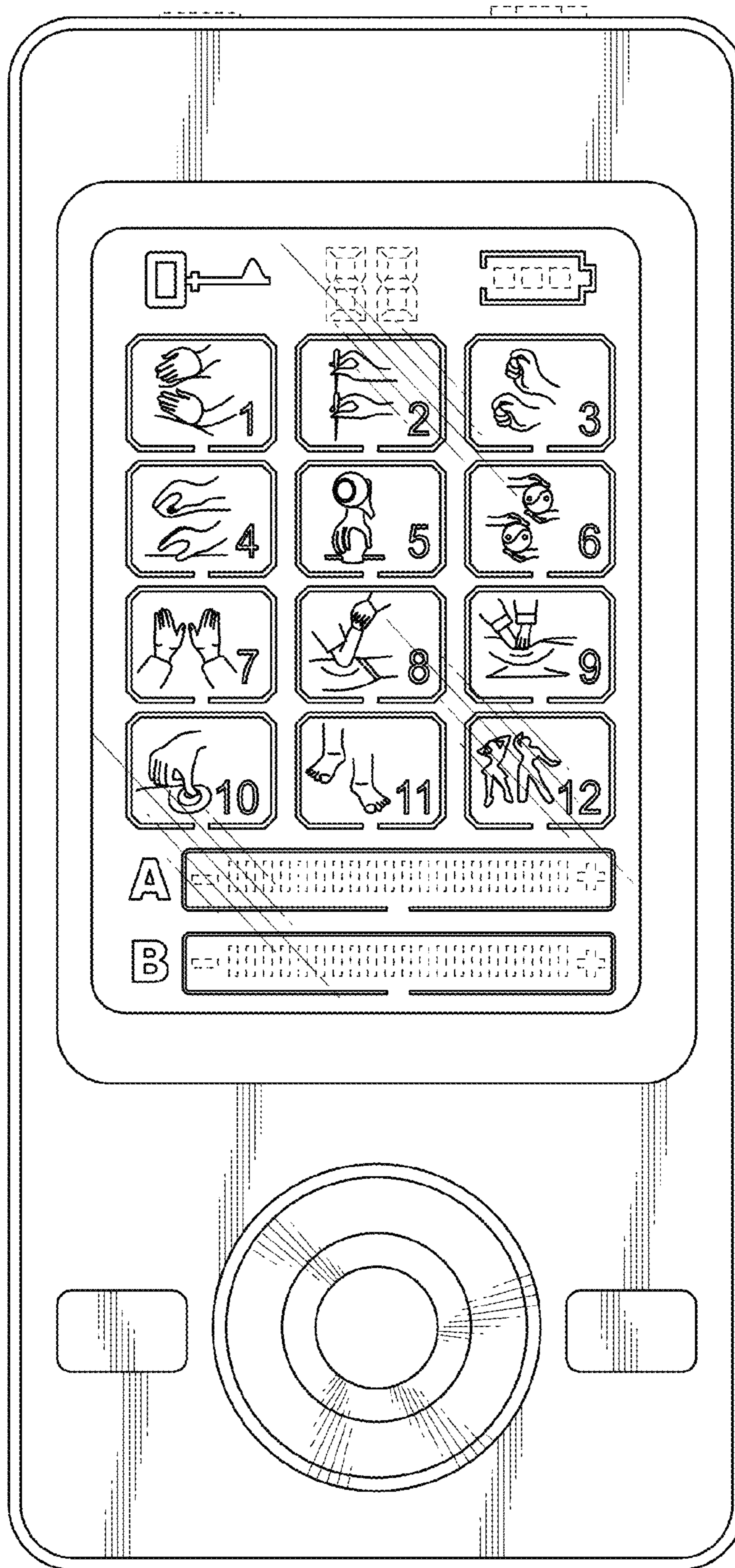


FIG. 1

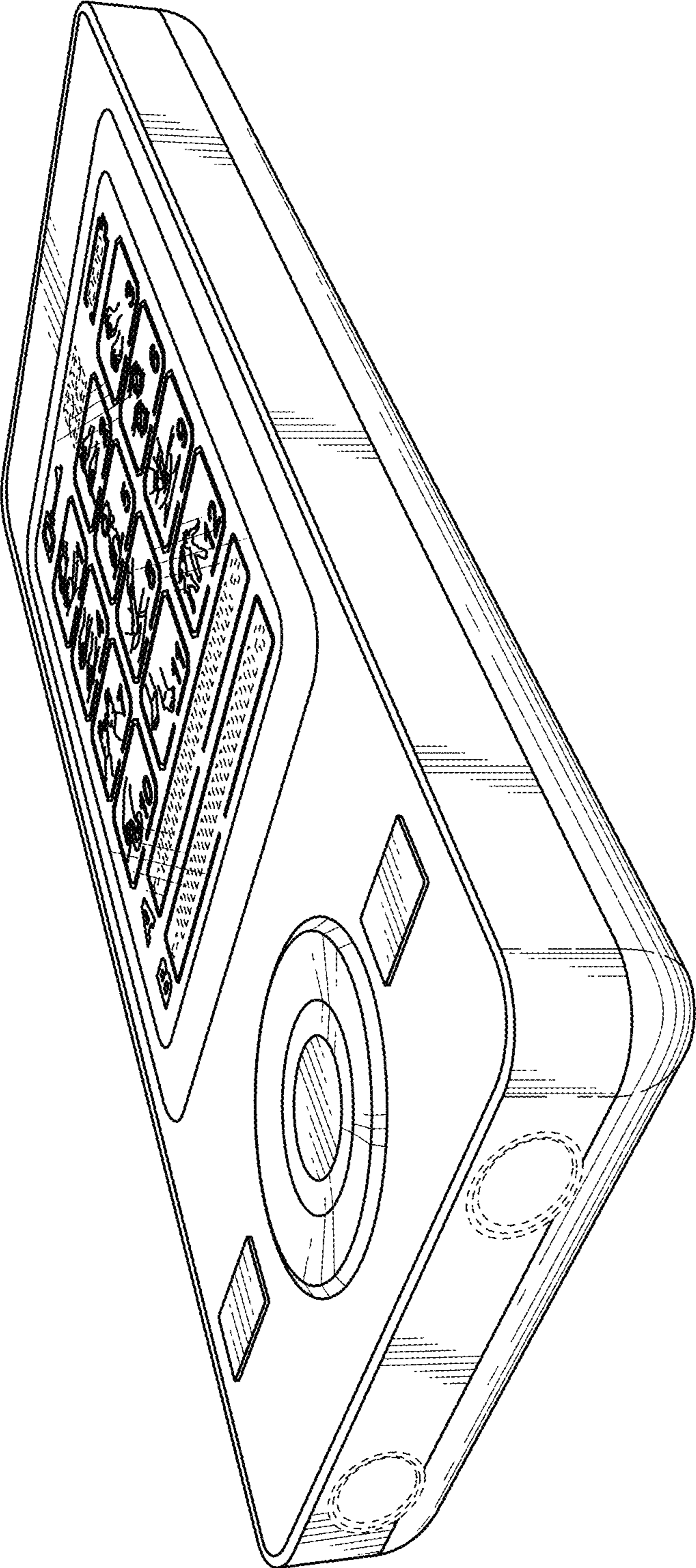


FIG. 2

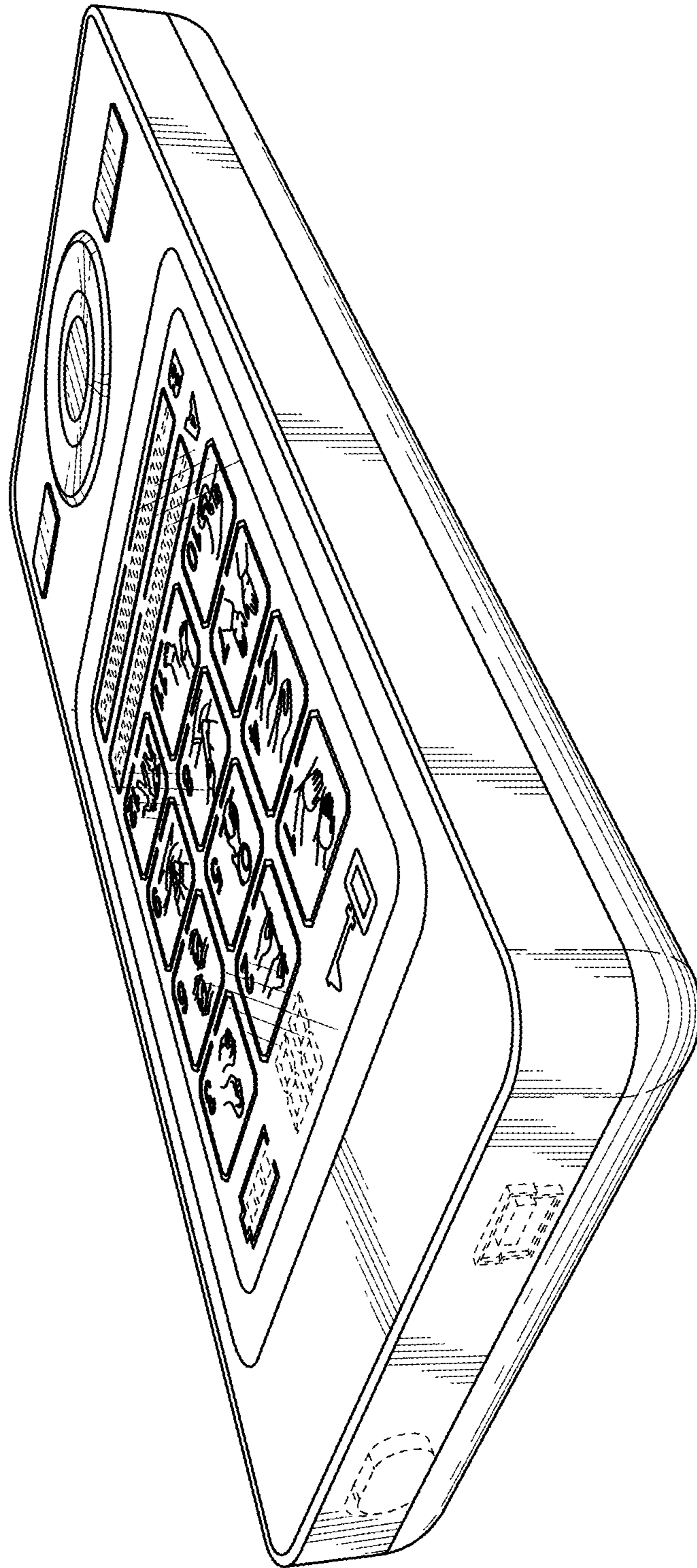


FIG. 3

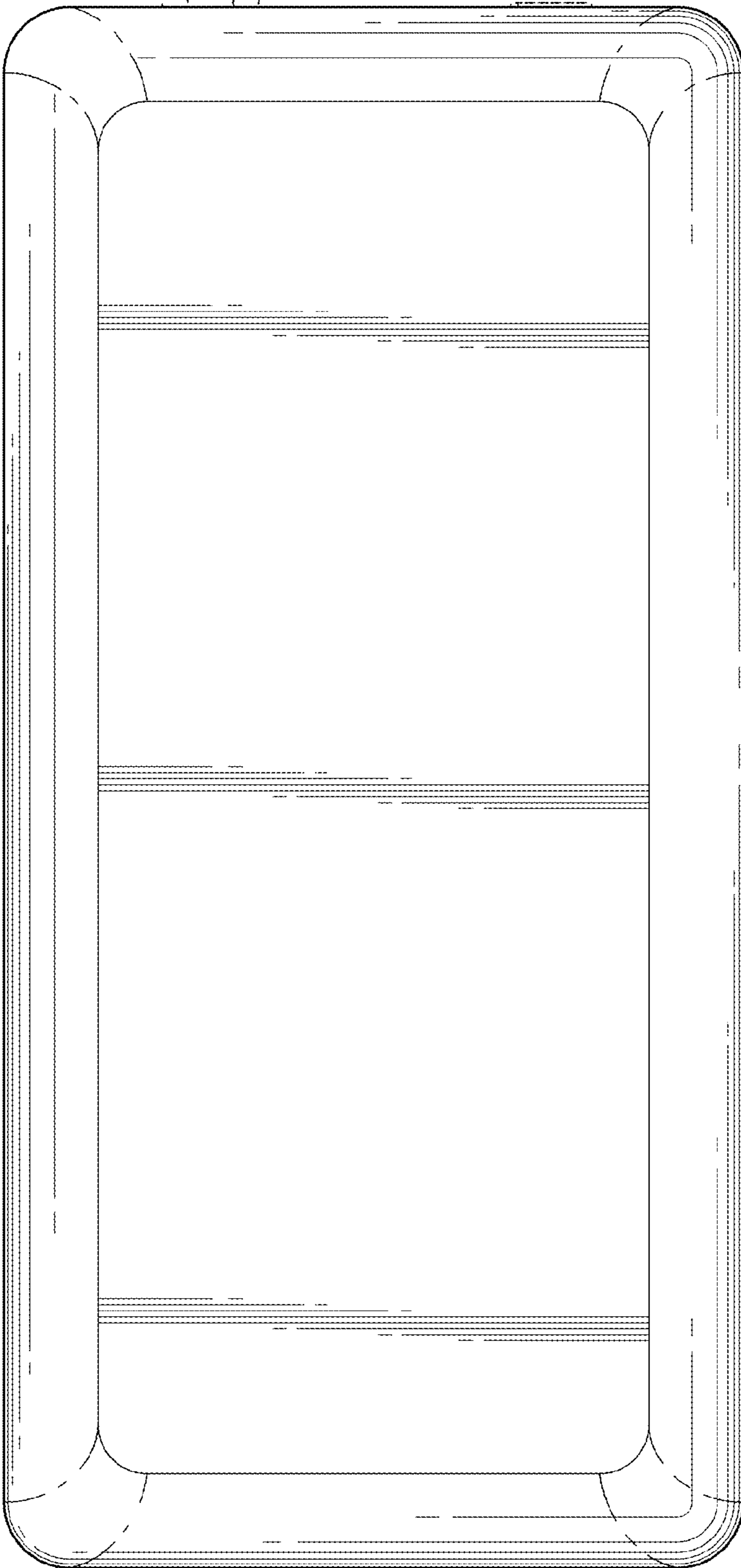


FIG. 4

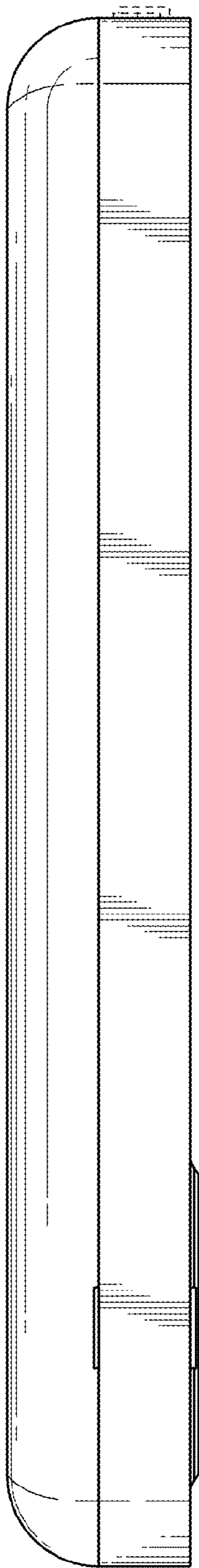


FIG. 5

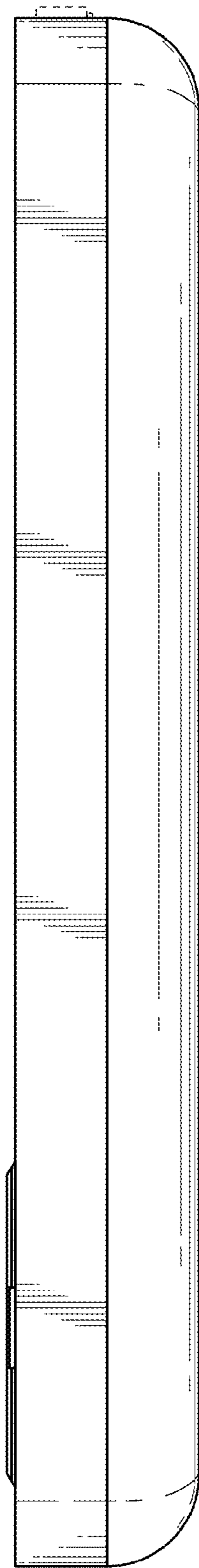


FIG. 6

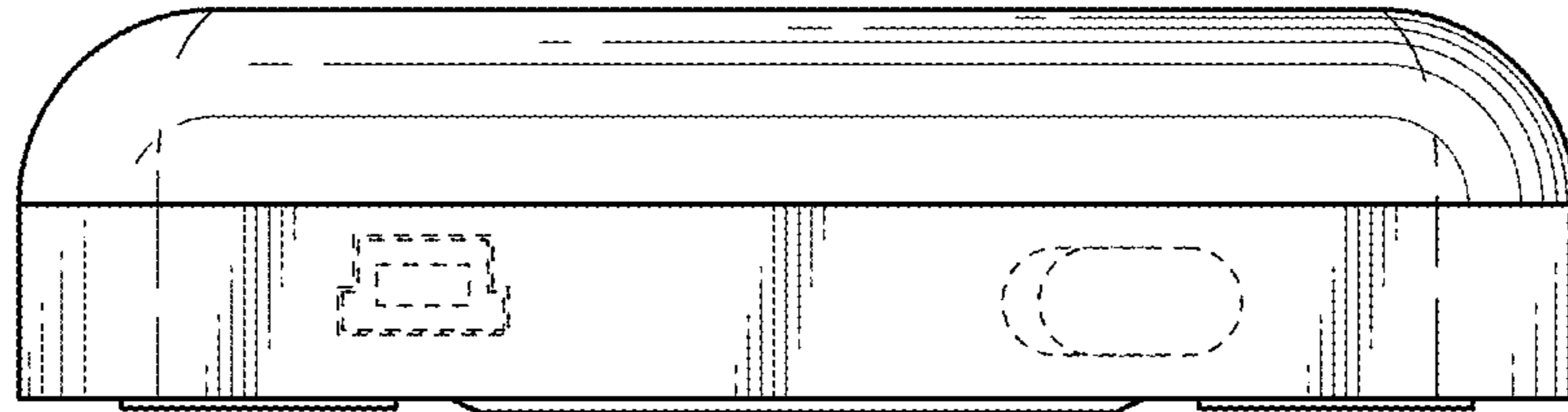


FIG. 7

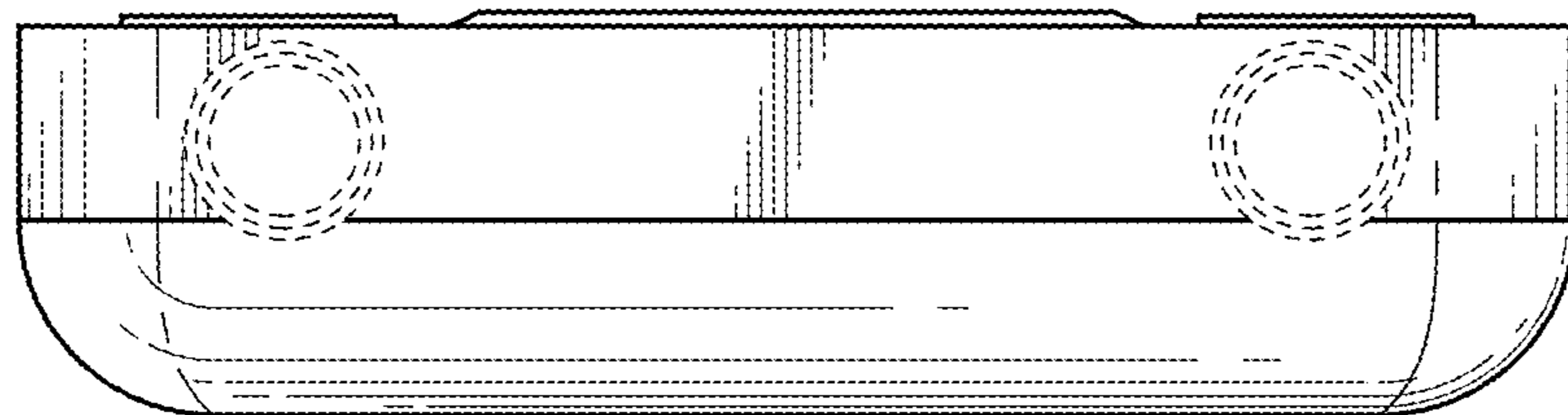


FIG. 8