



US00D716962S

(12) **United States Design Patent**
Viner et al.

(10) **Patent No.:** **US D716,962 S**
(45) **Date of Patent:** **** Nov. 4, 2014**

(54) **MASSAGER**

(56) **References Cited**

(71) Applicant: **V2 Fitness LLC**, Glenview, IL (US)

U.S. PATENT DOCUMENTS

(72) Inventors: **Victor P. Viner**, Northfield, IL (US);
Thomas P. O'Connor, Chicago, IL
(US); **Lisa Y. Lehman**, Brooklyn, NY
(US)

D439,016	S	*	3/2001	Syran et al.	D28/63
6,226,811	B1	*	5/2001	Fagan	4/606
6,389,631	B1	*	5/2002	Keith	15/104.92
6,405,400	B1	*	6/2002	McClain	15/160
D463,625	S	*	9/2002	Chau	D28/63
D478,174	S	*	8/2003	Huang	D24/212
6,684,444	B2	*	2/2004	Wheeler et al.	15/110
D504,954	S	*	5/2005	Park	D24/215
D508,132	S	*	8/2005	Huang	D24/212
D595,898	S	*	7/2009	Syran et al.	D28/63
D635,720	S	*	4/2011	Cammarano	D28/63
D694,415	S	*	11/2013	Viner et al.	D24/213
D698,454	S	*	1/2014	DiStefano	D24/215
2002/0049469	A1	*	4/2002	Chang	606/204

(73) Assignee: **V2 Fitness LLC**, Glenview, IL (US)

(**) Term: **14 Years**

* cited by examiner

(21) Appl. No.: **29/487,202**

(22) Filed: **Apr. 7, 2014**

Primary Examiner — Sandra Snapp

(51) **LOC (10) Cl.** **28-03**

(57) **CLAIM**

(52) **U.S. Cl.**

We claim the ornamental design for the massager, as shown and described.

CPC **A61H 15/00** (2013.01)

USPC **D24/215**

DESCRIPTION

(58) **Field of Classification Search**

CPC A61H 19/30; A61H 19/32; A61H 19/34;
A61H 19/40; A61H 19/44; A61H 19/50;
A61H 19/00; A61H 2201/0153; A61H
2201/0207; A61H 2201/0263; A61H
2201/0111; A61H 2201/1253; A61H
2205/082; A61H 2205/085; A61H 15/0085

USPC D24/200, 211, 212, 213, 214, 215;
601/19, 27-32, 46, 49, 52, DIG. 12,
601/DIG. 14, DIG. 15, DIG. 16, DIG. 17;
D21/685

FIG. 1 is a first perspective view of the massager of the present invention.

FIG. 2 is a second perspective view of the invention shown in FIG. 1.

FIG. 3 is a top view of the invention shown in FIG. 1.

FIG. 4 is a bottom view of the invention shown in FIG. 1.

FIG. 5 is a first side view of the invention shown in FIG. 1.

FIG. 6 is a second side view of the invention shown in FIG. 1.

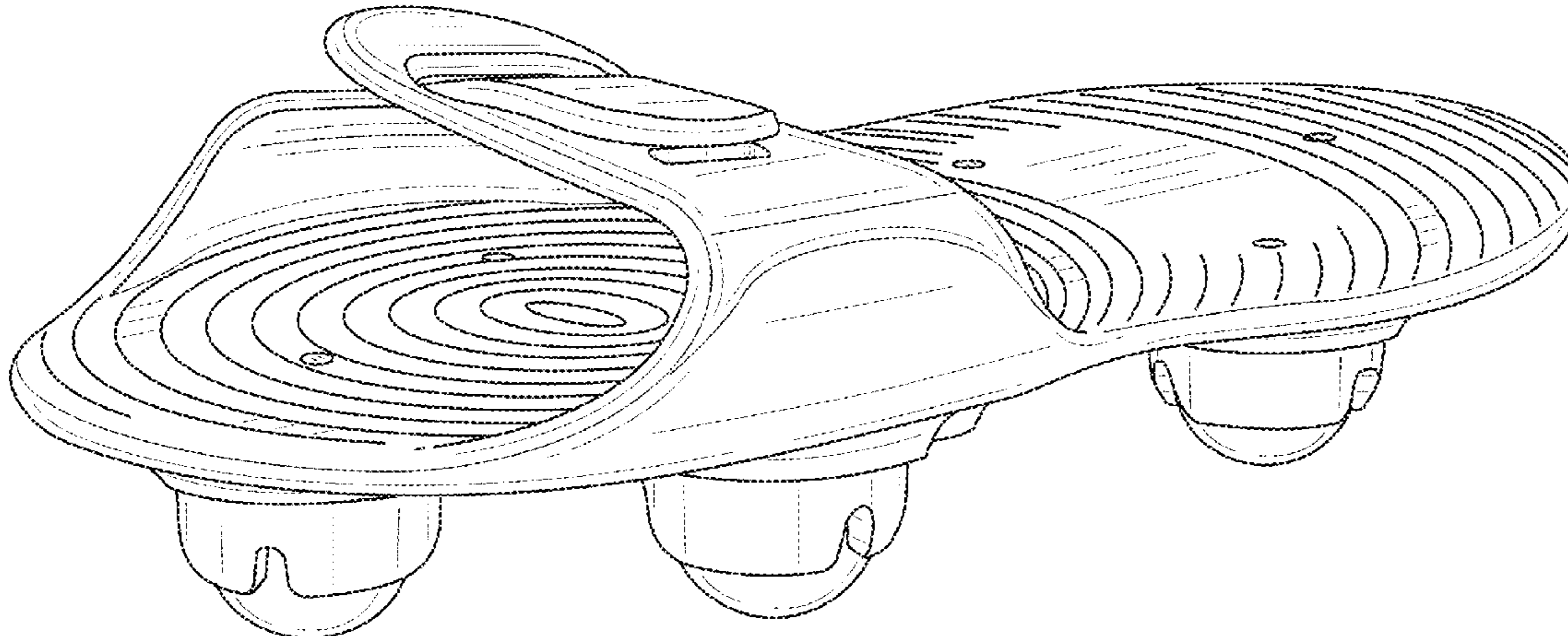
FIG. 7 is a front view of the invention shown in FIG. 1; and,

FIG. 8 is a back view of the invention shown in FIG. 1.

The ornamental design which is claimed is shown in solid lines in the drawings.

See application file for complete search history.

1 Claim, 7 Drawing Sheets



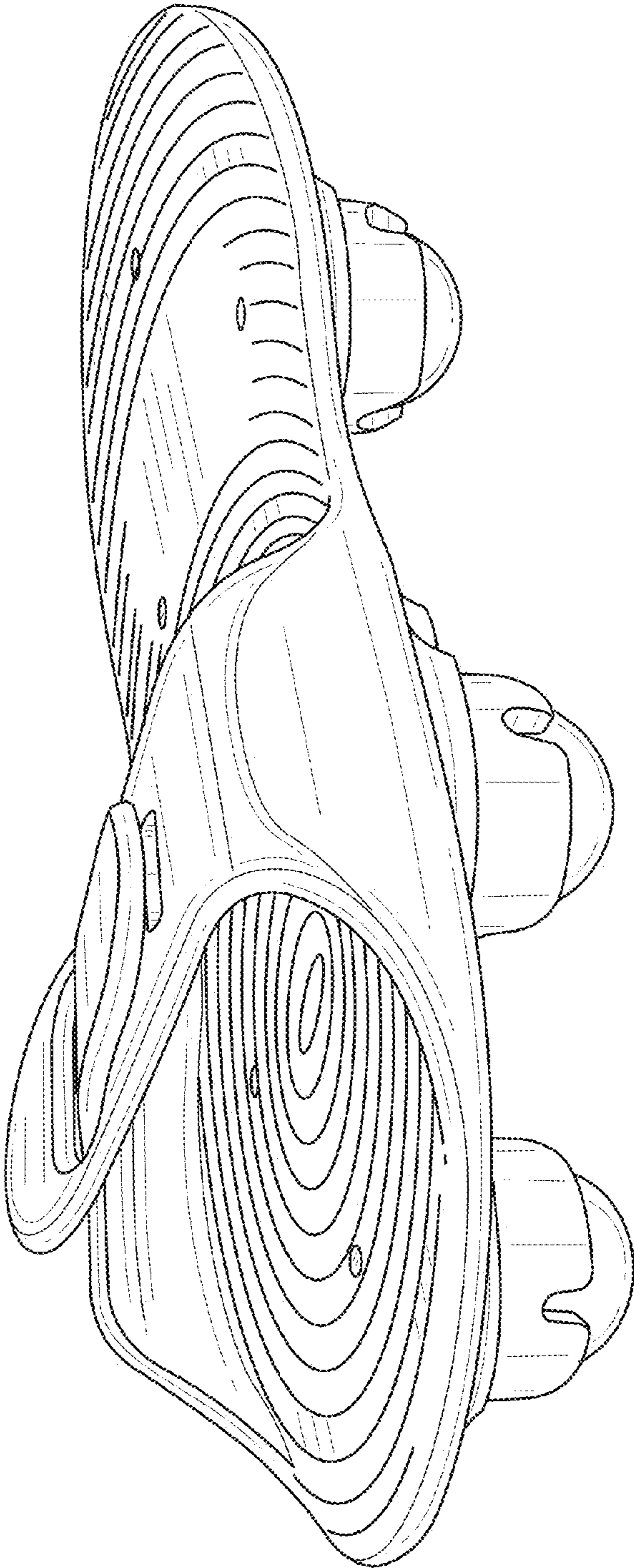


FIG. 1

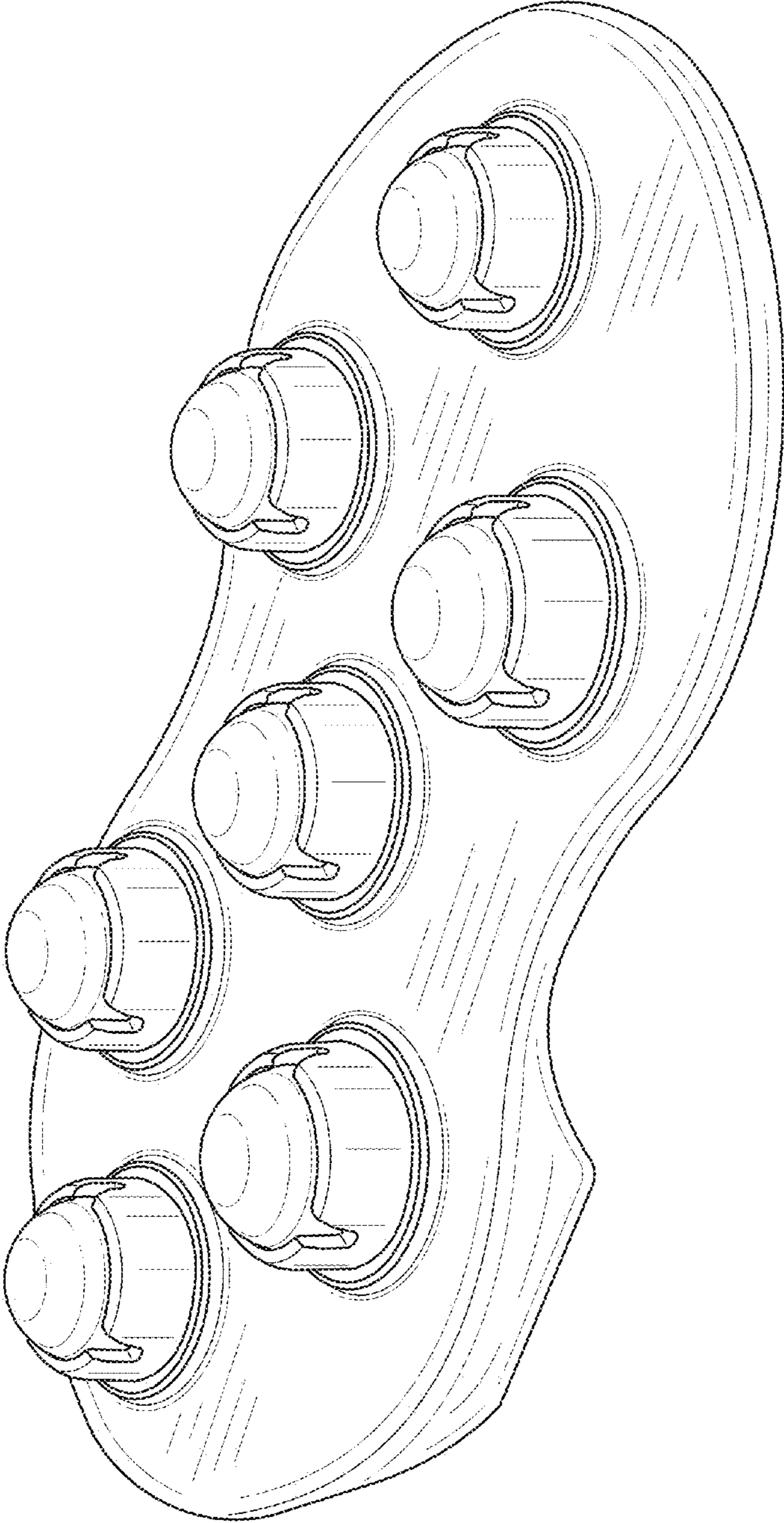


FIG. 2

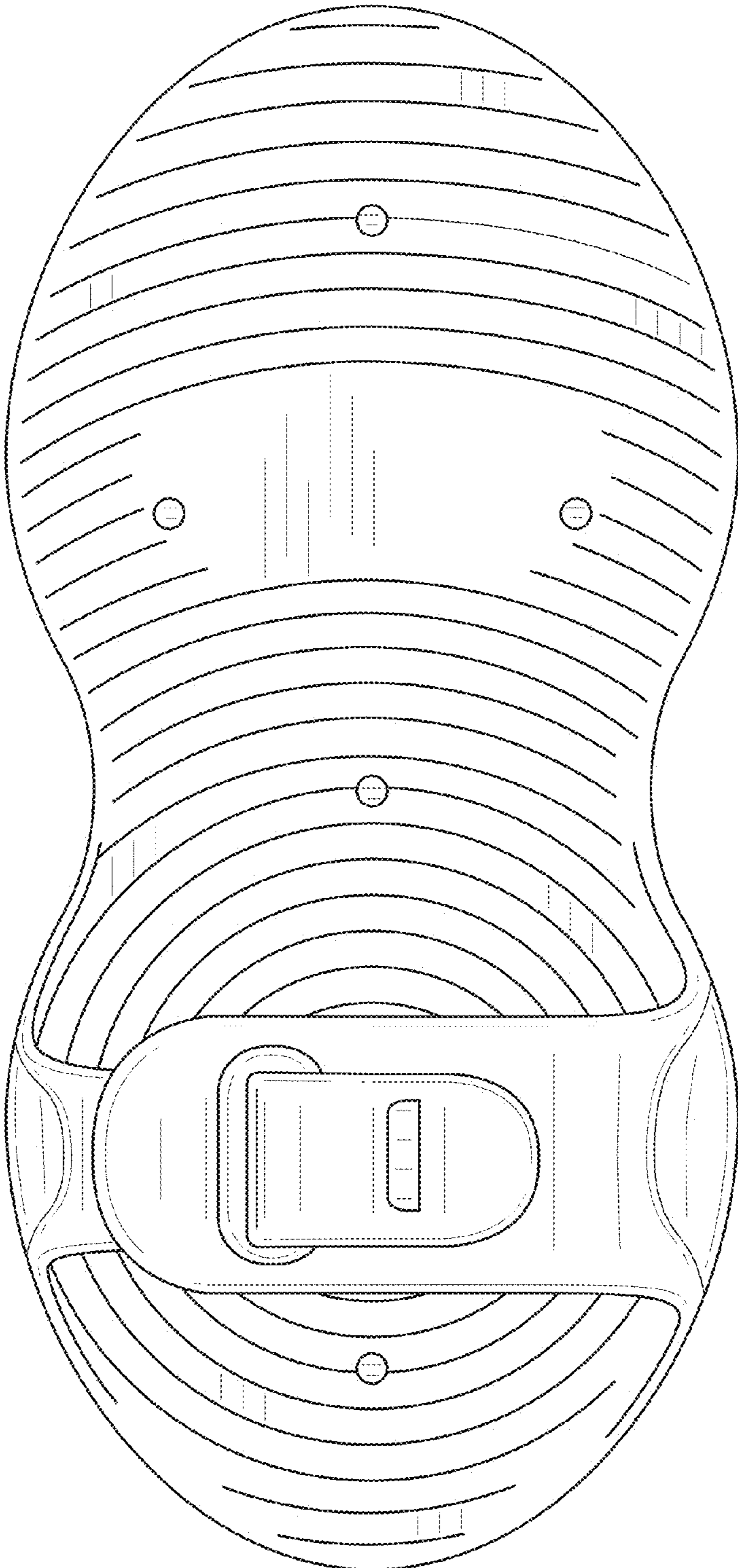


FIG. 3

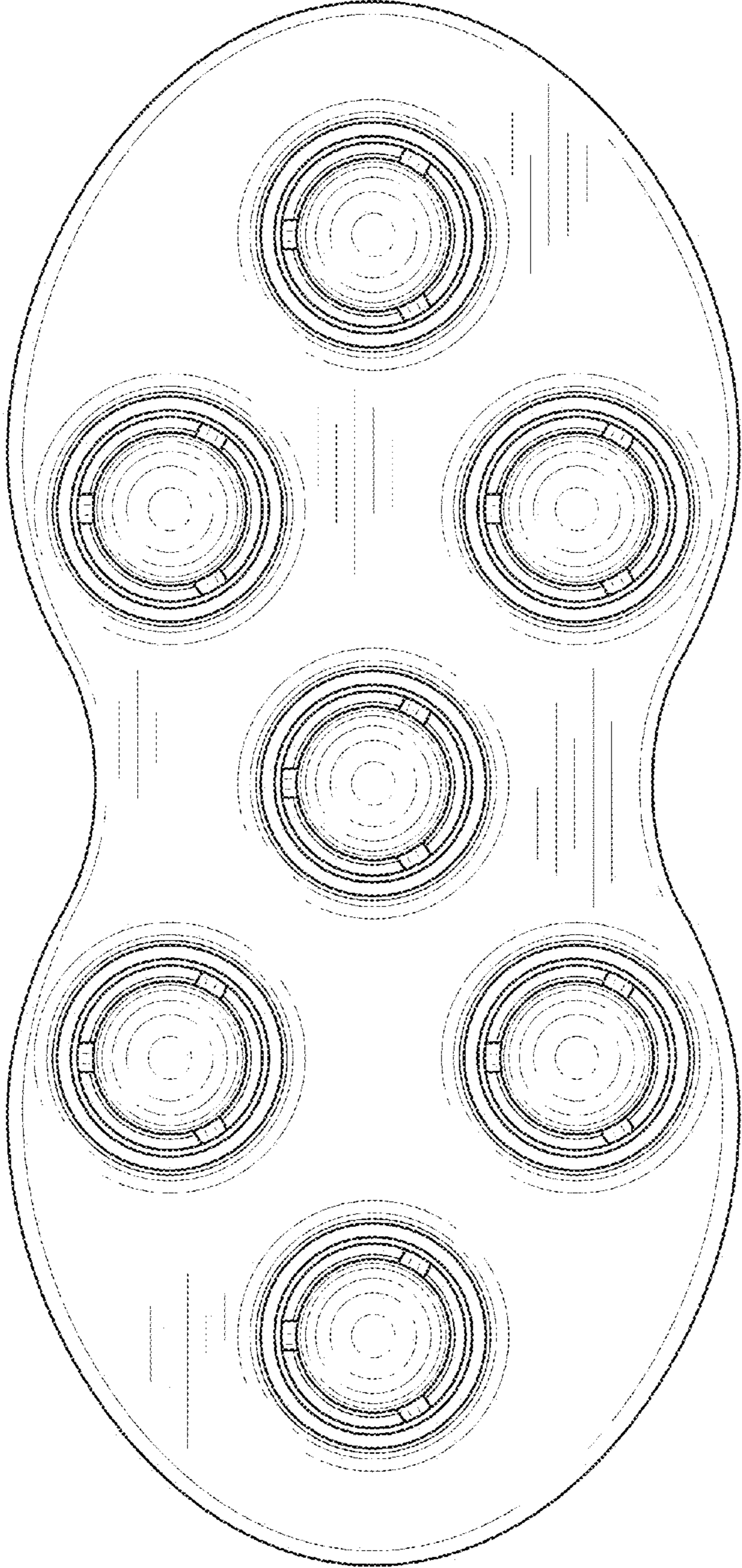


FIG. 4

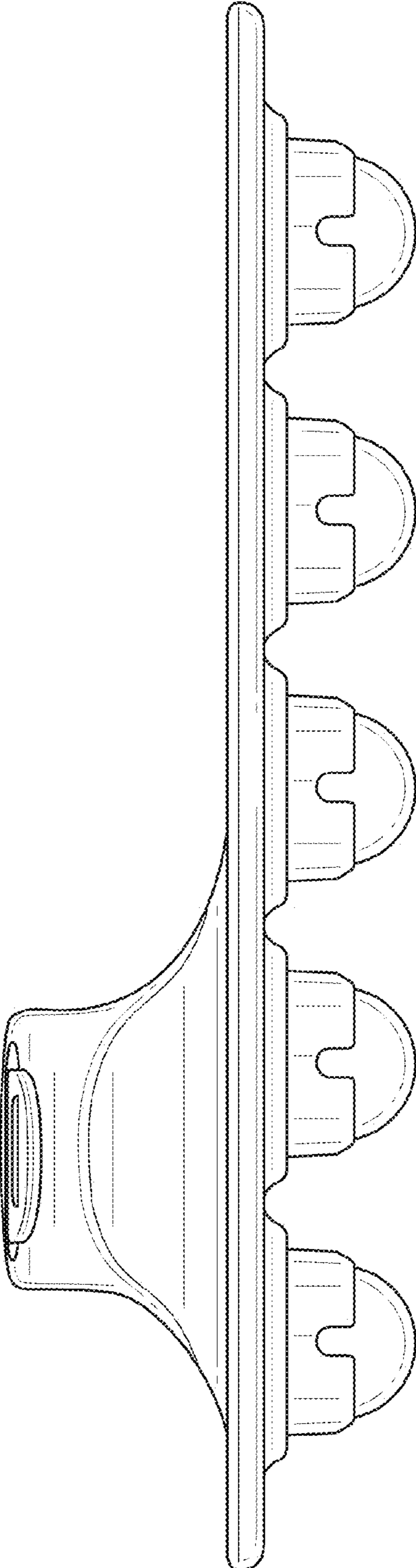


FIG. 5

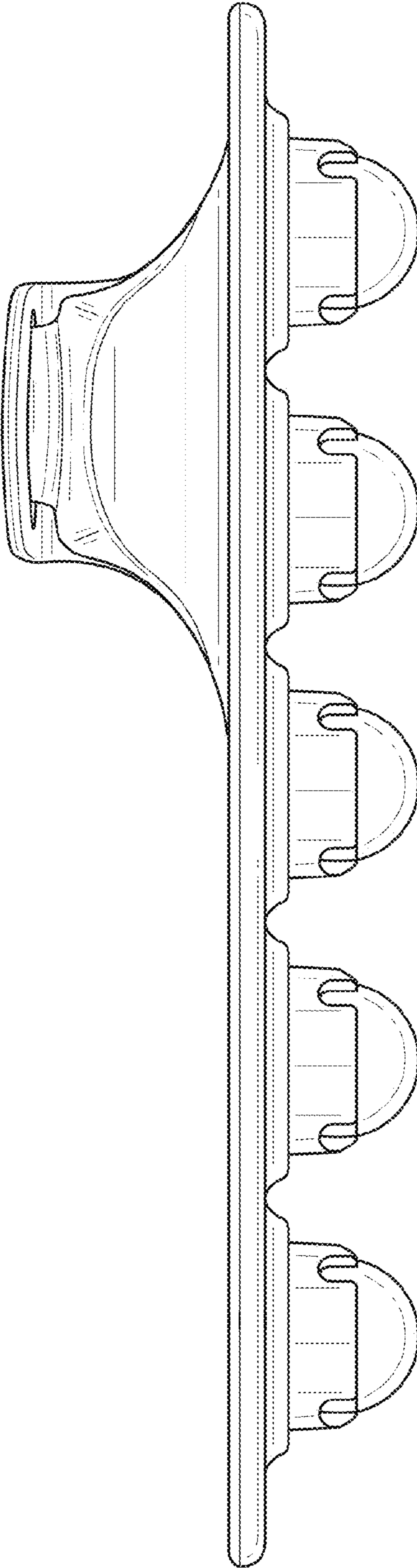


FIG. 6

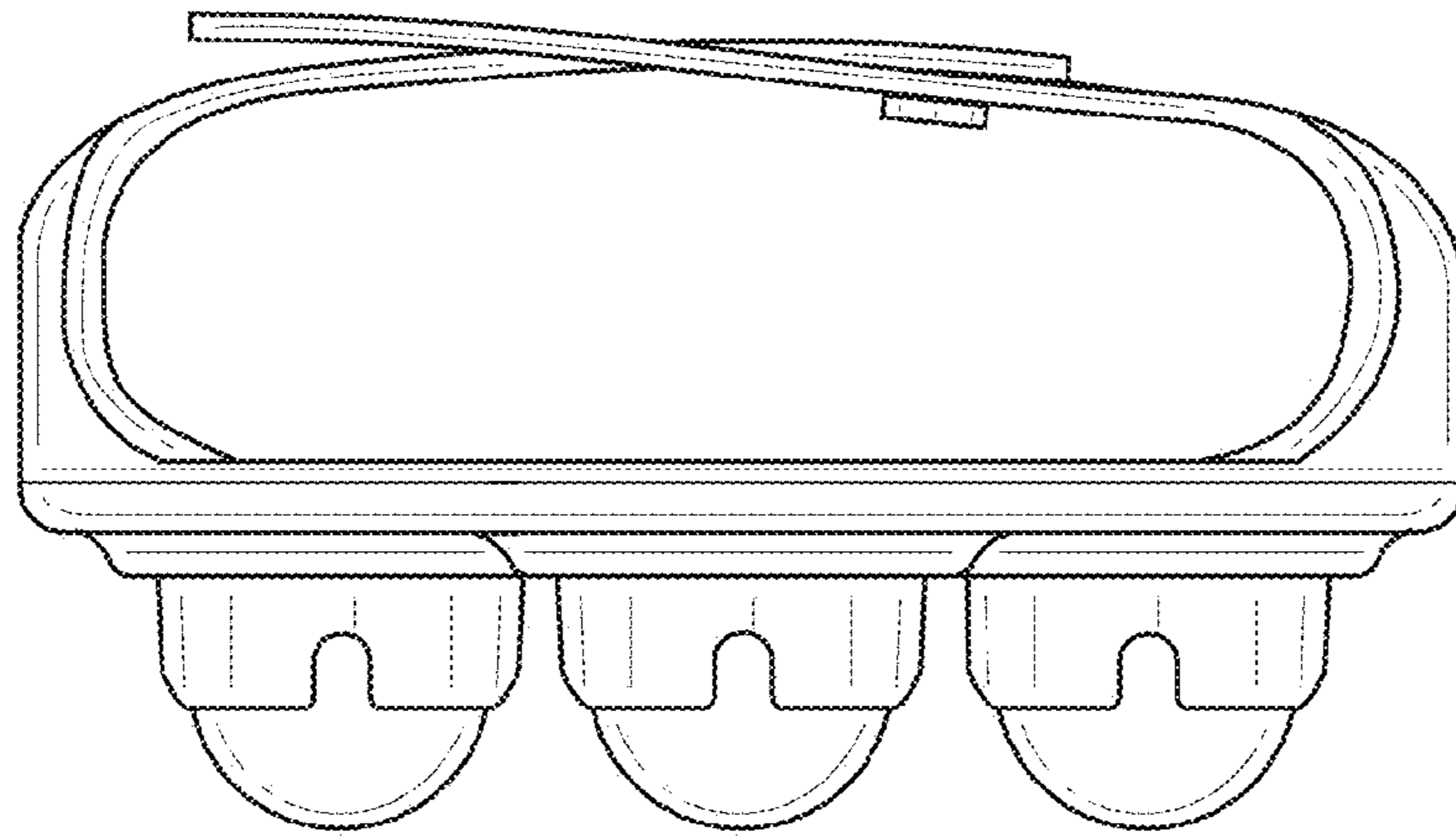


FIG. 7

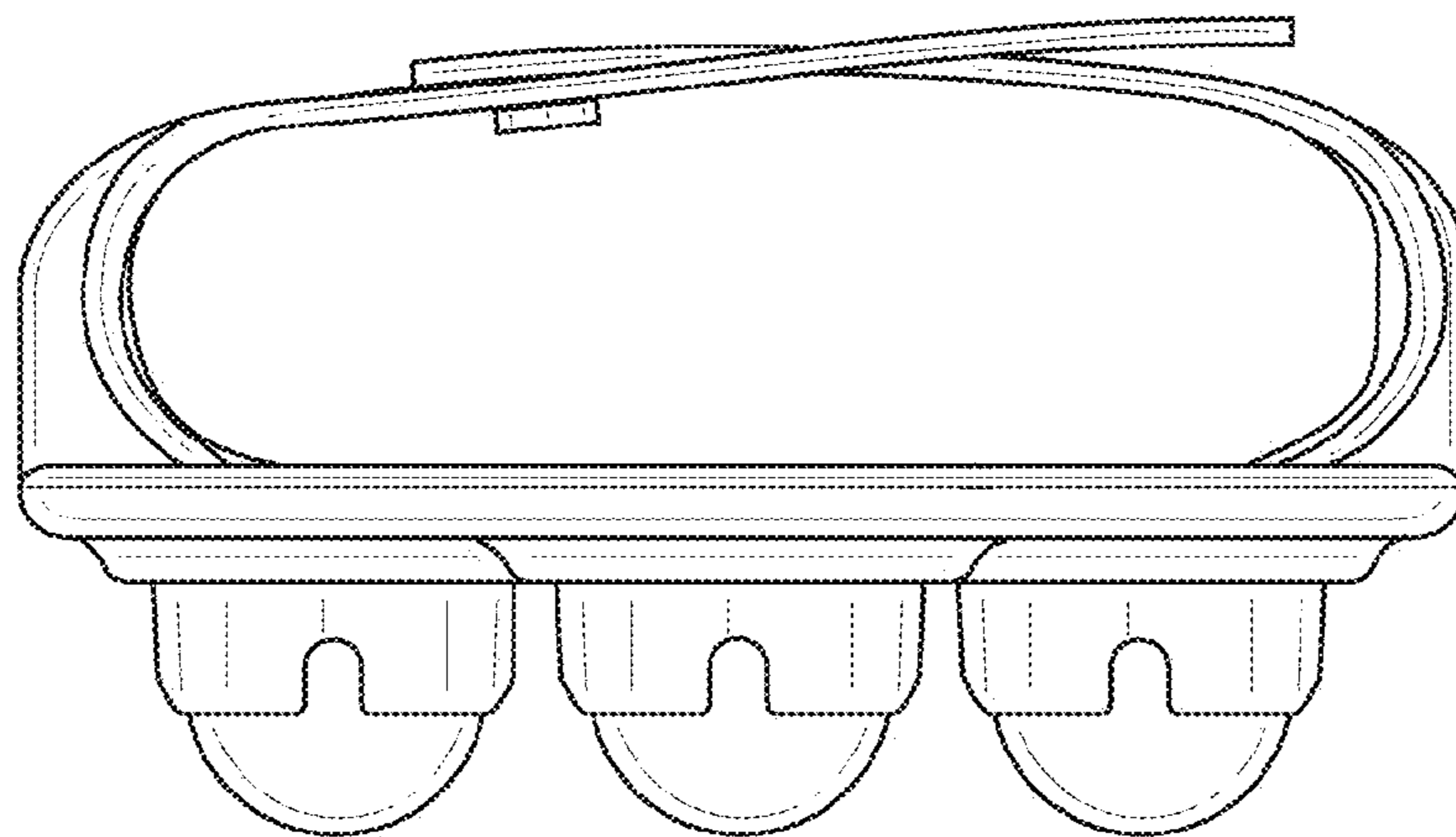


FIG. 8