



US00D716955S

(12) **United States Design Patent**  
**Forbes et al.**

(10) **Patent No.:** **US D716,955 S**  
(45) **Date of Patent:** **\*\* Nov. 4, 2014**

- (54) **KNEE BRACE**
- (71) Applicant: **Ossur HF**, Reykjavik (IS)
- (72) Inventors: **James Forbes**, Costa Mesa, CA (US);  
**Brice Robertson**, Sunnyvale, CA (US)
- (73) Assignee: **Ossur HF**, Reykjavik (IS)

- 4,084,584 A 4/1978 Detty
- 4,099,269 A 7/1978 Pornier
- 4,116,236 A 9/1978 Albert
- 4,201,203 A 5/1980 Applegate
- 4,287,885 A 9/1981 Applegate
- 4,296,744 A 10/1981 Palumbo
- 4,425,912 A 1/1984 Harper

(Continued)

(\*\*) Term: **14 Years**

**FOREIGN PATENT DOCUMENTS**

(21) Appl. No.: **29/456,292**

- CA 2038948 A1 2/1991
- DE 3028381 A1 2/1982

(Continued)

(22) Filed: **May 30, 2013**

**OTHER PUBLICATIONS**

**Related U.S. Application Data**

(63) Continuation of application No. 29/434,642, filed on Oct. 15, 2012, now Pat. No. Des. 683,859, and a continuation-in-part of application No. 29/397,988, filed on Jul. 25, 2011, now abandoned.

Ossur Orthopedics Catalog 2009, pp. 1, 41-47 and 100.

(Continued)

(51) **LOC (10) Cl.** ..... **24-04**

*Primary Examiner* — Eric Goodman

(52) **U.S. Cl.**

*Assistant Examiner* — Jennifer Watkins

USPC ..... **D24/190**

(74) *Attorney, Agent, or Firm* — Workman Nydegger

(58) **Field of Classification Search**

USPC ..... D24/188-190; D29/121.1; 602/3, 5, 6,  
602/16, 21-23, 26, 60-64; 2/16, 22, 24;  
128/869, 879, 892, DIG. 20

(57) **CLAIM**

The ornamental design for a knee brace, as shown and described.

See application file for complete search history.

**DESCRIPTION**

(56) **References Cited**

FIG. 1 is a first side elevational view of a knee brace, showing our design.

**U.S. PATENT DOCUMENTS**

- 116,236 A 12/1900 Gorse
- 663,749 A 12/1900 Gorse
- 940,585 A 11/1909 Drennan
- 2,188,718 A 1/1940 Jung
- 2,524,326 A 10/1950 Murphy
- 3,046,981 A 7/1962 Biggs, Jr. et al.
- 3,084,685 A 4/1963 Lewis
- 3,406,406 A 10/1968 Lutz
- 3,789,842 A 2/1974 Froimson
- 3,945,046 A 3/1976 Stromgren

FIG. 2 is a front elevational view thereof;

FIG. 3 is a rear elevational view thereof;

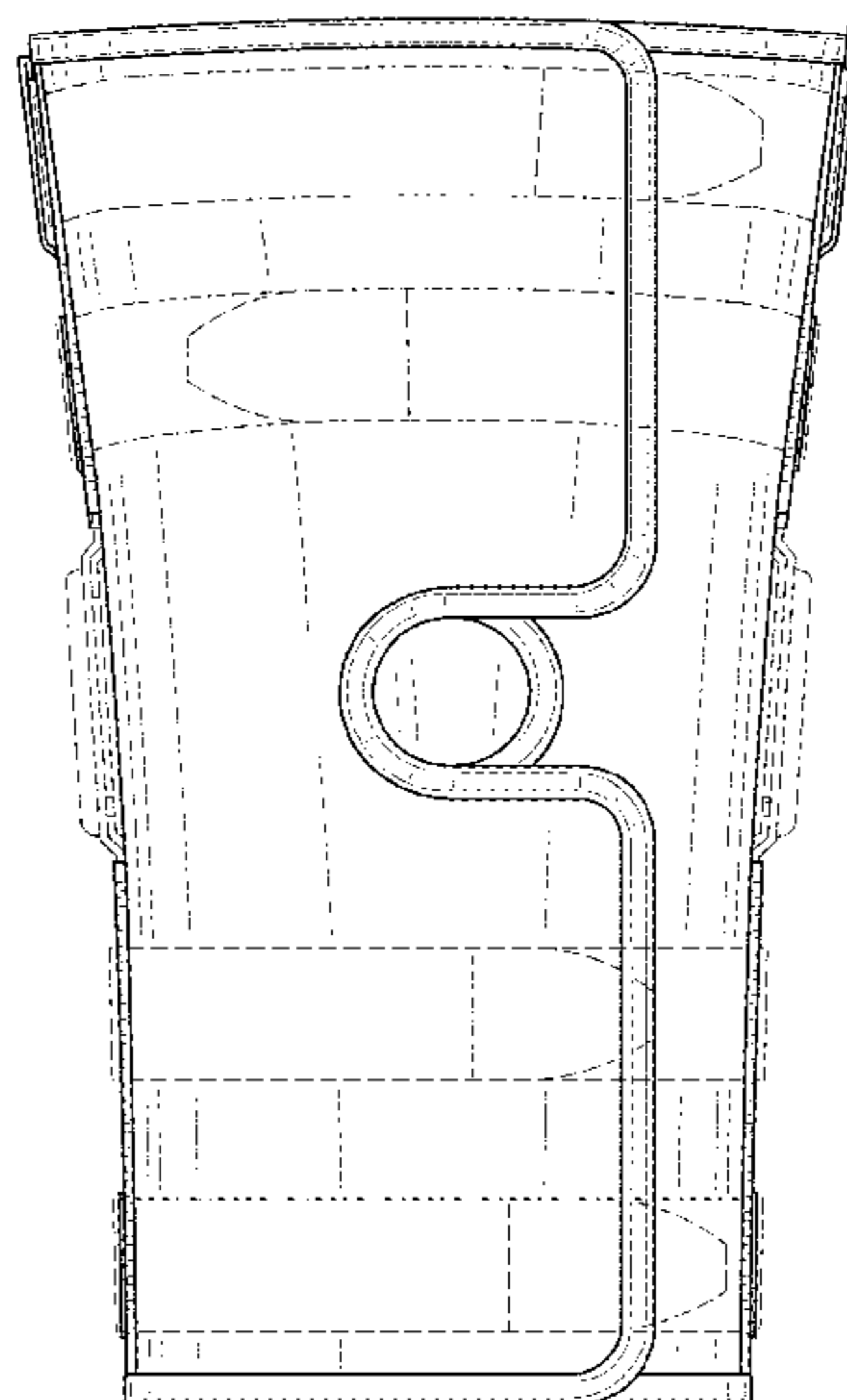
FIG. 4 is a second side elevational view thereof;

FIG. 5 is a top view thereof; and,

FIG. 6 is a bottom view thereof.

The broken lines are included for the purpose of illustrating environmental structure and form no part of the claimed design.

**1 Claim, 3 Drawing Sheets**



(56)

References Cited

U.S. PATENT DOCUMENTS

4,445,505 A 5/1984 Labour et al.  
 4,474,573 A 10/1984 Detty  
 4,479,272 A 10/1984 Beldzisky  
 4,607,628 A 8/1986 Dashefsky  
 4,632,106 A 12/1986 Gamm  
 4,822,371 A 4/1989 Jolly et al.  
 4,870,956 A 10/1989 Fatool et al.  
 4,908,037 A 3/1990 Ross  
 4,941,462 A 7/1990 Lindberg  
 5,024,216 A 6/1991 Shiono  
 5,139,477 A 8/1992 Peters  
 5,154,690 A 10/1992 Shiono  
 5,168,577 A 12/1992 Detty  
 5,221,252 A \* 6/1993 Caprio et al. .... 602/63  
 5,263,923 A 11/1993 Fujimoto  
 5,267,951 A \* 12/1993 Ishii ..... 602/26  
 5,277,697 A 1/1994 France et al.  
 5,334,135 A \* 8/1994 Grim et al. .... 602/26  
 5,367,708 A 11/1994 Fujimoto  
 5,382,223 A 1/1995 Springs  
 5,399,153 A 3/1995 Caprio, Jr. et al.  
 5,419,161 A 5/1995 Bodenschatz et al.  
 5,462,517 A 10/1995 Mann  
 5,472,413 A \* 12/1995 Detty ..... 602/26  
 5,474,524 A 12/1995 Carey  
 5,593,454 A 1/1997 Helmy  
 5,603,122 A 2/1997 Kania  
 5,626,557 A \* 5/1997 Mann ..... 602/26  
 5,643,185 A 7/1997 Watson et al.  
 5,695,452 A 12/1997 Grim et al.  
 5,759,167 A 6/1998 Shields, Jr. et al.  
 5,792,084 A 8/1998 Wilson et al.  
 5,823,981 A 10/1998 Grim et al.  
 5,865,166 A 2/1999 Fitzpatrick et al.  
 5,865,776 A 2/1999 Springs  
 5,865,777 A 2/1999 Detty  
 D406,677 S 3/1999 Koschmann et al.  
 5,925,010 A 7/1999 Caprio, Jr.  
 5,944,682 A 8/1999 Milana-Panopoulos  
 6,063,048 A 5/2000 Bodenschatz et al.  
 6,080,121 A 6/2000 Madow et al.  
 6,149,690 A 11/2000 Belzidsky  
 6,287,269 B1 9/2001 Osti et al.  
 6,551,264 B1 4/2003 Cawley et al.  
 6,592,539 B1 7/2003 Einarsson et al.  
 D501,927 S \* 2/2005 McCormick et al. .... D24/190

7,004,919 B2 2/2006 Gaylord et al.  
 7,060,045 B2 6/2006 Mason et al.  
 7,083,586 B2 8/2006 Simmons et al.  
 7,273,464 B2 9/2007 Reinhardt  
 D573,713 S \* 7/2008 Mueller et al. .... D24/190  
 D618,358 S 6/2010 Avitable et al.  
 7,749,181 B2 7/2010 Simmons et al.  
 7,819,830 B2 10/2010 Sindel et al.  
 7,862,528 B2 1/2011 Scott  
 7,867,183 B2 1/2011 Kazmierczak et al.  
 7,959,590 B2 6/2011 Scott  
 D654,181 S \* 2/2012 Chiang ..... D24/190  
 D683,859 S \* 6/2013 Forbes et al. .... D24/190  
 2001/0007929 A1 7/2001 Schlomski  
 2002/0077574 A1 \* 6/2002 Gildersleeve et al. .... 602/16  
 2003/0083605 A1 5/2003 Edmund  
 2003/0204156 A1 \* 10/2003 Nelson et al. .... 602/26  
 2004/0153017 A1 \* 8/2004 Simmons et al. .... 602/26  
 2004/0176715 A1 \* 9/2004 Nelson ..... 602/26  
 2004/0225245 A1 \* 11/2004 Nelson ..... 602/26  
 2005/0038367 A1 \* 2/2005 McCormick et al. .... 602/26  
 2006/0069337 A1 3/2006 Livolsi et al.  
 2006/0094999 A1 5/2006 Cropper  
 2008/0139985 A1 6/2008 Gilmour  
 2008/0300524 A1 12/2008 Scott  
 2009/0131844 A1 5/2009 Dean et al.  
 2009/0156973 A1 \* 6/2009 Scott ..... 602/26  
 2009/0312681 A1 12/2009 McSpadden et al.  
 2011/0137220 A1 6/2011 Vollbrecht et al.  
 2012/0165713 A1 \* 6/2012 Forbes et al. .... 602/26  
 2014/0074002 A1 \* 3/2014 Swanson ..... 602/16

FOREIGN PATENT DOCUMENTS

DE 3416231 A1 11/1985  
 DE 3519677 A1 12/1986  
 EP 0498062 A1 8/1992  
 EP 0835645 A1 4/1998  
 EP 1114630 A1 7/2001  
 FR 2606998 A1 5/1988  
 WO 81/01240 A1 5/1981  
 WO 91/01704 A1 2/1991  
 WO 2006/073353 A1 7/2006

OTHER PUBLICATIONS

Partial Search Report issued in PCT/US2011/065749, Apr. 2, 2012, 2 pages.

\* cited by examiner

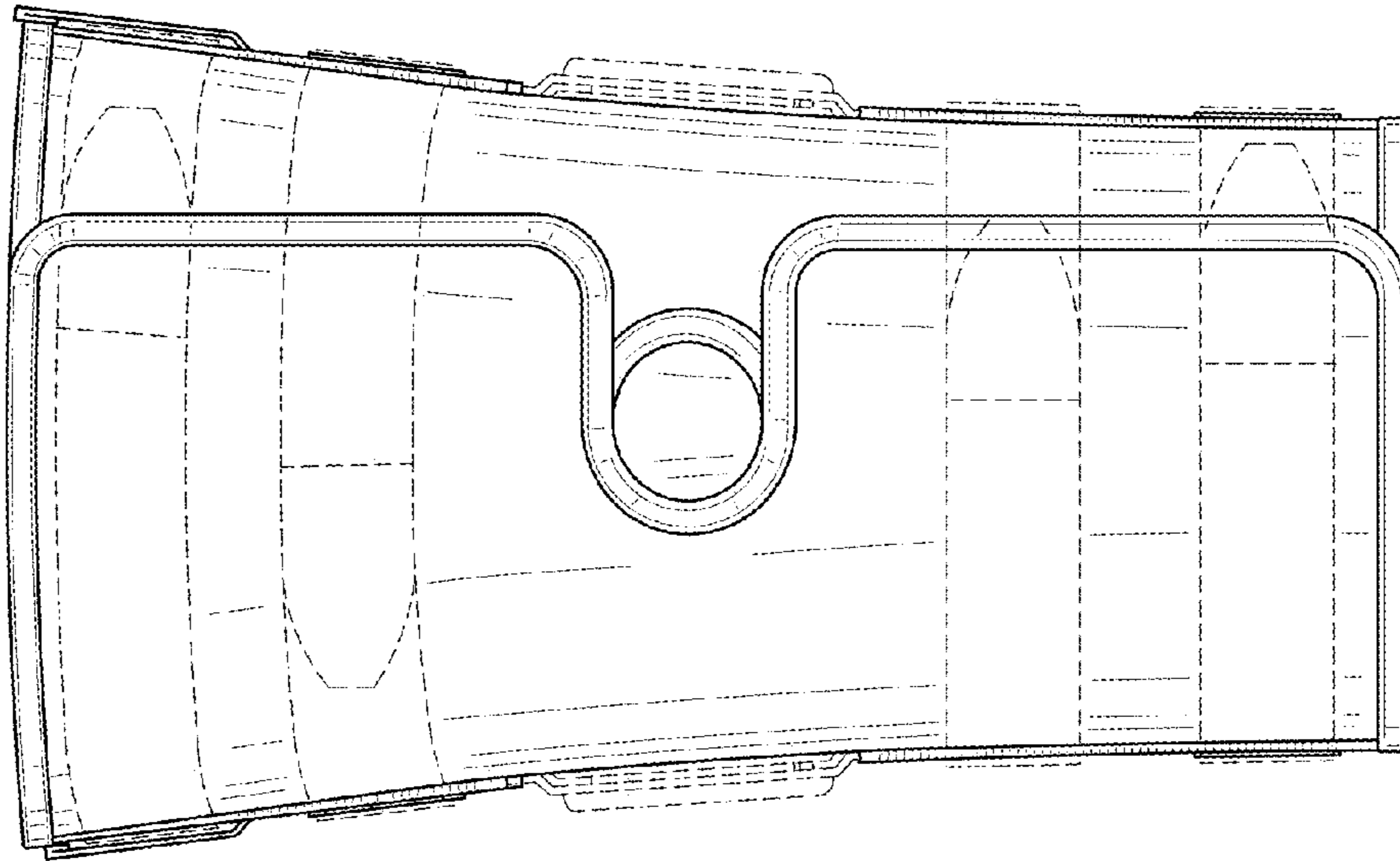


FIG. 2

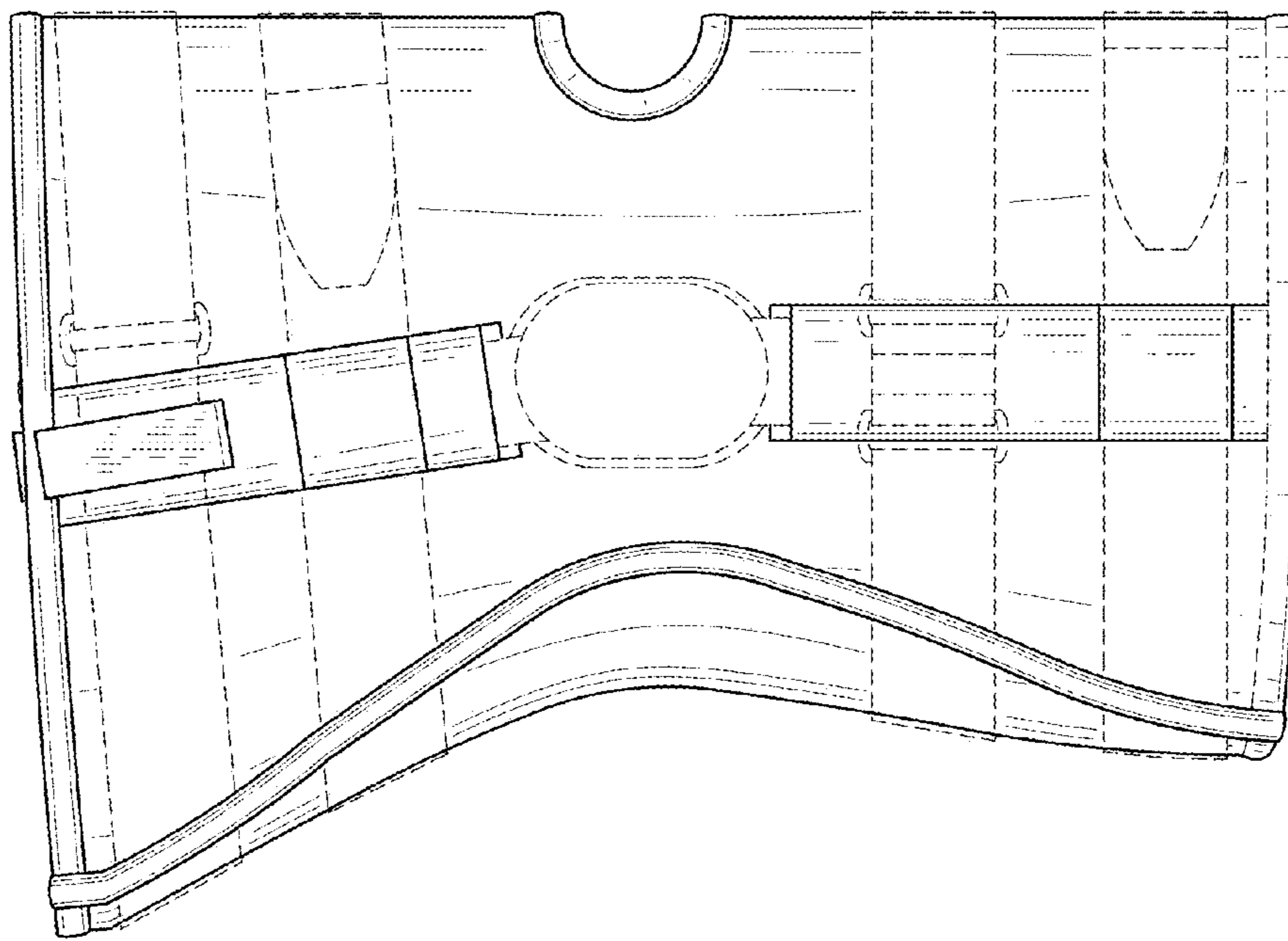


FIG. 1



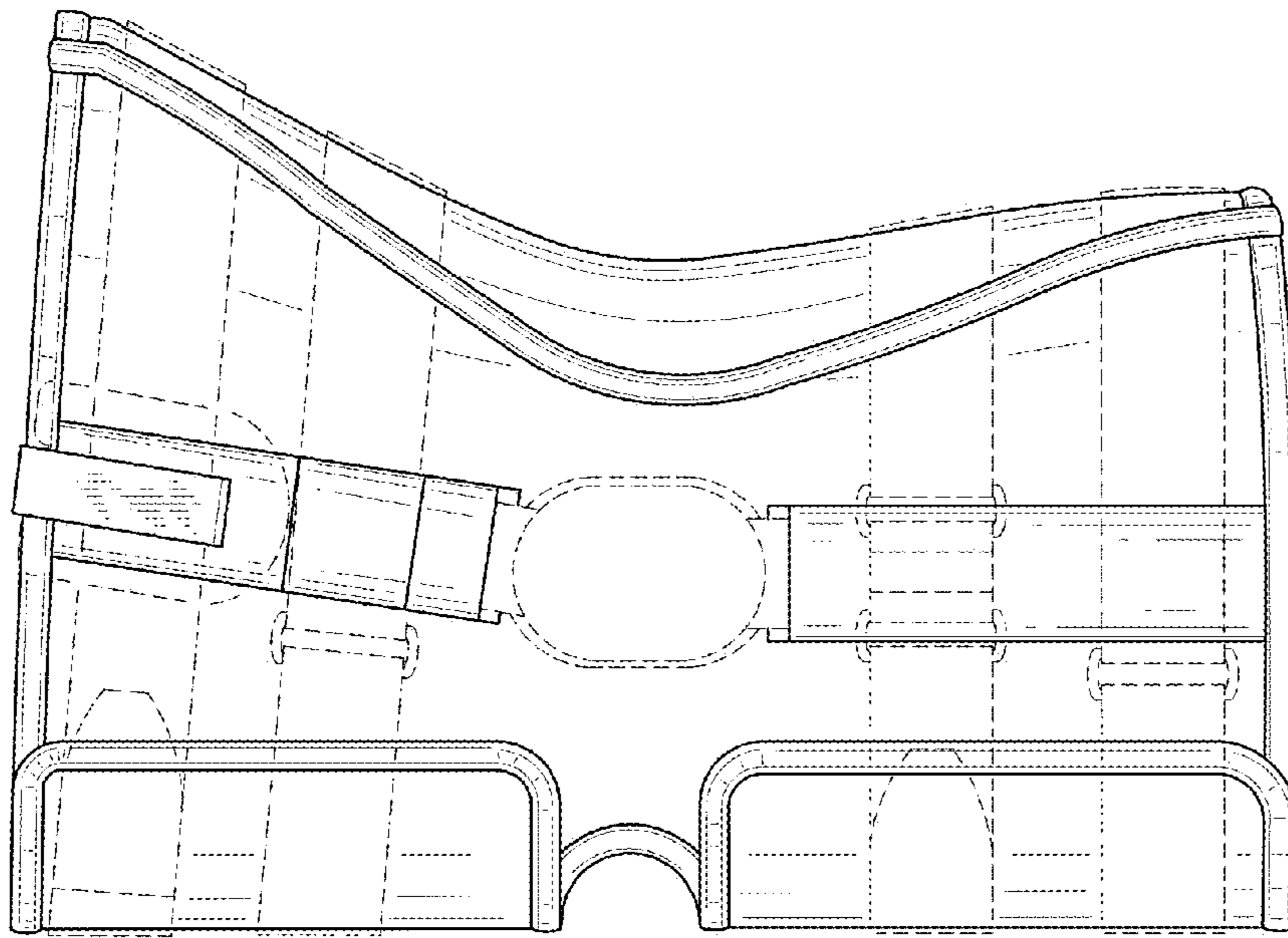


FIG. 4

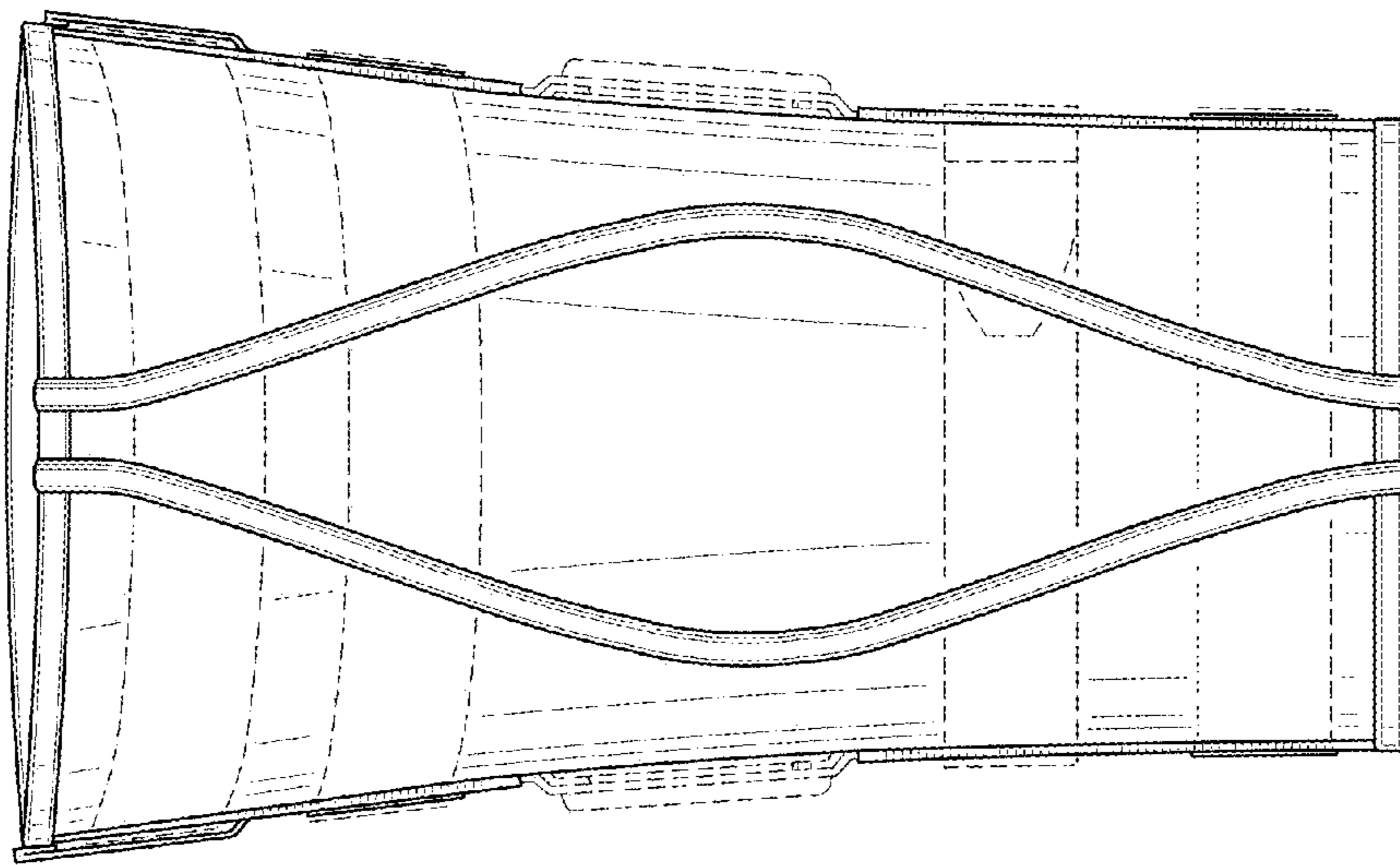


FIG. 3

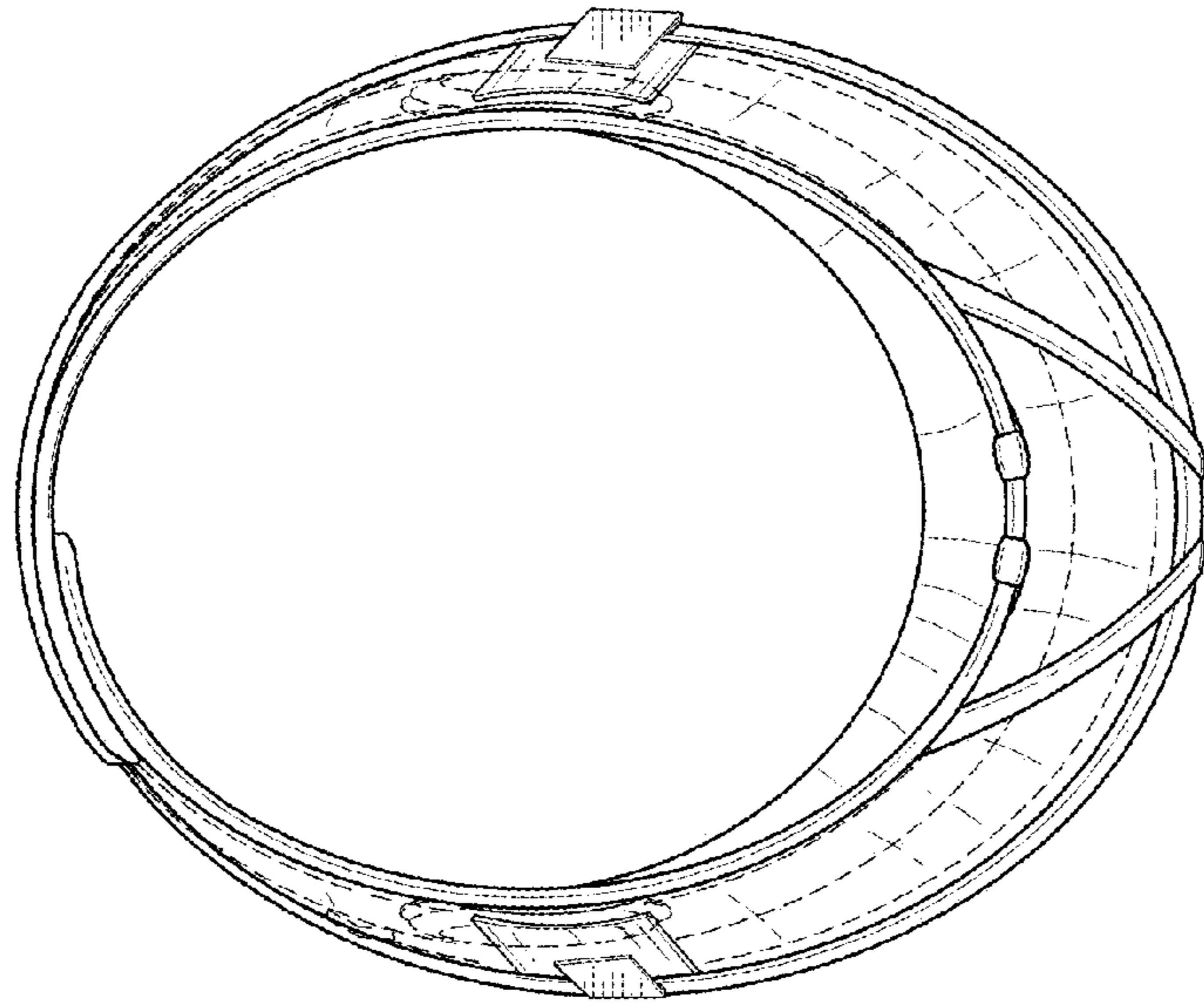


FIG. 6

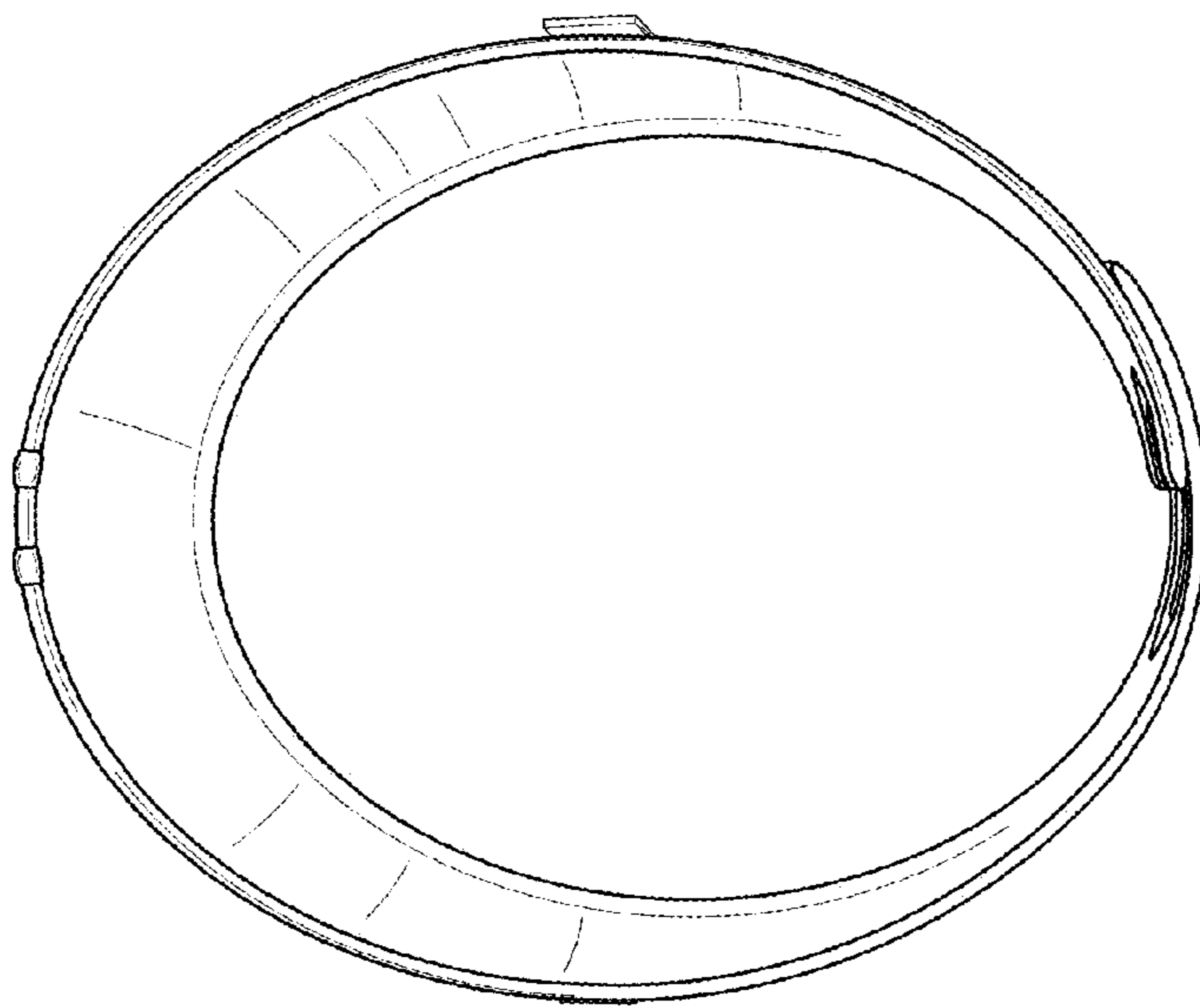


FIG. 5