



US00D716954S

(12) **United States Design Patent**
Forbes et al.

(10) **Patent No.:** **US D716,954 S**
(45) **Date of Patent:** **** Nov. 4, 2014**

(54) **KNEE BRACE**

(71) Applicant: **Ossur HF**, Reykjavik (IS)

(72) Inventors: **James Forbes**, Costa Mesa, CA (US);
Brice Robertson, Sunnyvale, CA (US)

(73) Assignee: **Ossur HF**, Reykjavik (IS)

(**) Term: **14 Years**

(21) Appl. No.: **29/456,246**

(22) Filed: **May 29, 2013**

Related U.S. Application Data

(63) Continuation of application No. 29/434,642, filed on Oct. 15, 2012, now Pat. No. Des. 683,859, and a continuation-in-part of application No. 29/397,988, filed on Jul. 25, 2011, now abandoned.

(51) **LOC (10) Cl.** **24-04**

(52) **U.S. Cl.**
USPC **D24/190**

(58) **Field of Classification Search**
CPC ... A61F 5/0123; A61F 5/0125; A61F 5/0102;
A61F 2005/0167; A61F 5/0585; A61F
2005/0179; A61F 5/0106; A61F 5/012;
A61F 2005/0137; A61F 5/0109; A61F
2005/0176; A41D 13/065; A41D 13/06;
A63B 71/1225; A63B 2071/125
USPC D24/188-190; D29/121.1; 602/3, 5, 6,
602/16, 21-23, 26, 60-64; 2/16, 22, 24;
128/869, 879, 892, DIG. 20
See application file for complete search history.

(56) **References Cited**

U.S. PATENT DOCUMENTS

116,236 A 12/1900 Gorse
663,749 A 12/1900 Gorse

940,585 A 11/1909 Drennan
2,188,718 A 1/1940 Jung
2,524,326 A 10/1950 Murphy
3,046,981 A 7/1962 Biggs, Jr. et al.
3,084,685 A 4/1963 Lewis
3,406,406 A 10/1968 Lutz
3,789,842 A 2/1974 Froimson

(Continued)

FOREIGN PATENT DOCUMENTS

CA 2038948 A1 2/1991
DE 3028381 A1 2/1982

(Continued)

OTHER PUBLICATIONS

Ossur Orthopedics Catalog 2009, pp. 1, 41-47 and 100.

(Continued)

Primary Examiner — Eric Goodman

Assistant Examiner — Jennifer Watkins

(74) *Attorney, Agent, or Firm* — Workman Nydegger

(57) **CLAIM**

The ornamental design for a knee brace, as shown and described.

DESCRIPTION

FIG. 1 is a first side elevational view of a knee brace, showing our design.

FIG. 2 is a front elevational view thereof;

FIG. 3 is a rear elevational view thereof;

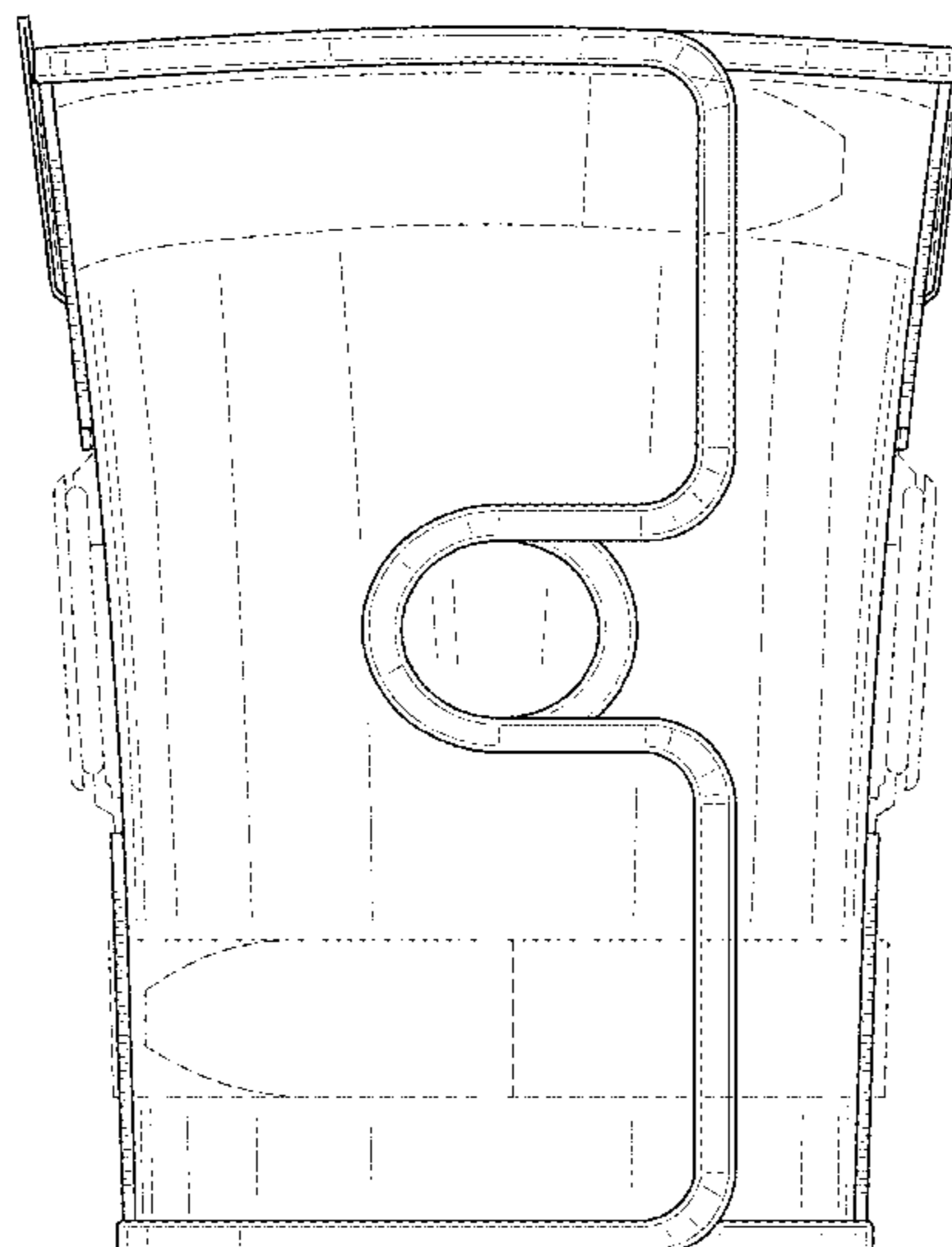
FIG. 4 is a second side elevational view thereof;

FIG. 5 is a top view thereof; and,

FIG. 6 is a bottom view thereof.

The broken lines are included for the purpose of illustrating environmental structure and form no part of the claimed design.

1 Claim, 3 Drawing Sheets



(56)

References Cited

U.S. PATENT DOCUMENTS

3,945,046 A 3/1976 Stromgren
 4,084,584 A 4/1978 Detty
 4,099,269 A 7/1978 Porner
 4,116,236 A 9/1978 Albert
 4,201,203 A 5/1980 Applegate
 4,287,885 A 9/1981 Applegate
 4,296,744 A 10/1981 Palumbo
 4,425,912 A 1/1984 Harper
 4,445,505 A 5/1984 Labour et al.
 4,474,573 A 10/1984 Detty
 4,479,272 A 10/1984 Beldzisky
 4,607,628 A 8/1986 Dashefsky
 4,632,106 A 12/1986 Gamm
 4,822,371 A 4/1989 Jolly et al.
 4,870,956 A 10/1989 Fatoool et al.
 4,908,037 A 3/1990 Ross
 4,941,462 A 7/1990 Lindberg
 5,024,216 A 6/1991 Shiono
 5,139,477 A 8/1992 Peters
 5,154,690 A 10/1992 Shiono
 5,168,577 A 12/1992 Detty
 5,221,252 A * 6/1993 Caprio et al. 602/63
 5,263,923 A 11/1993 Fujimoto
 5,267,951 A * 12/1993 Ishii 602/26
 5,277,697 A 1/1994 France et al.
 5,334,135 A * 8/1994 Grim et al. 602/26
 5,367,708 A 11/1994 Fujimoto
 5,382,223 A 1/1995 Springs
 5,399,153 A 3/1995 Caprio, Jr. et al.
 5,419,161 A 5/1995 Bodenschatz et al.
 5,462,517 A 10/1995 Mann
 5,472,413 A * 12/1995 Detty 602/26
 5,474,524 A 12/1995 Carey
 5,593,454 A 1/1997 Helmy
 5,603,122 A 2/1997 Kania
 5,626,557 A * 5/1997 Mann 602/26
 5,643,185 A 7/1997 Watson et al.
 5,695,452 A 12/1997 Grim et al.
 5,759,167 A 6/1998 Shields, Jr. et al.
 5,792,084 A 8/1998 Wilson et al.
 5,823,981 A 10/1998 Grim et al.
 5,865,166 A 2/1999 Fitzpatrick et al.
 5,865,776 A 2/1999 Springs
 5,865,777 A 2/1999 Detty
 D406,677 S 3/1999 Koschmann et al.
 5,925,010 A 7/1999 Caprio, Jr.
 5,944,682 A 8/1999 Milana-Panopoulos
 6,063,048 A 5/2000 Bodenschatz et al.
 6,080,121 A 6/2000 Madow et al.
 6,149,690 A 11/2000 Belzidsky

6,287,269 B1 9/2001 Osti et al.
 6,551,264 B1 4/2003 Cawley et al.
 6,592,539 B1 7/2003 Einarsson et al.
 D501,927 S * 2/2005 McCormick et al. D24/190
 7,004,919 B2 2/2006 Gaylord et al.
 7,060,045 B2 6/2006 Mason et al.
 7,083,586 B2 8/2006 Simmons et al.
 7,273,464 B2 9/2007 Reinhardt
 D573,713 S * 7/2008 Mueller et al. D24/190
 D618,358 S 6/2010 Avitable et al.
 7,749,181 B2 7/2010 Simmons et al.
 7,819,830 B2 10/2010 Sindel et al.
 7,862,528 B2 1/2011 Scott
 7,867,183 B2 1/2011 Kazmierczak et al.
 7,959,590 B2 6/2011 Scott
 D654,181 S * 2/2012 Chiang D24/190
 D683,859 S * 6/2013 Forbes et al. D24/190
 2001/0007929 A1 7/2001 Schlomski
 2002/0077574 A1 * 6/2002 Gildersleeve et al. 602/16
 2003/0083605 A1 5/2003 Edmund
 2003/0204156 A1 * 10/2003 Nelson et al. 602/26
 2004/0153017 A1 * 8/2004 Simmons et al. 602/26
 2004/0176715 A1 * 9/2004 Nelson 602/26
 2004/0225245 A1 * 11/2004 Nelson 602/26
 2005/0038367 A1 * 2/2005 McCormick et al. 602/26
 2006/0069337 A1 3/2006 Livolsi et al.
 2006/0094999 A1 5/2006 Cropper
 2008/0139985 A1 6/2008 Gilmour
 2008/0300524 A1 12/2008 Scott
 2009/0131844 A1 5/2009 Dean et al.
 2009/0156973 A1 * 6/2009 Scott 602/26
 2009/0312681 A1 12/2009 McSpadden et al.
 2011/0137220 A1 6/2011 Vollbrecht et al.
 2012/0165713 A1 * 6/2012 Forbes et al. 602/26
 2014/0074002 A1 * 3/2014 Swanson 602/16

FOREIGN PATENT DOCUMENTS

DE 3416231 A1 11/1985
 DE 3519677 A1 12/1986
 EP 0498062 A1 8/1992
 EP 0835645 A1 4/1998
 EP 1114630 A1 7/2001
 FR 2606998 A1 5/1988
 WO 81/01240 A1 5/1981
 WO 91/01704 A1 2/1991
 WO 2006/073353 A1 7/2006

OTHER PUBLICATIONS

Partial Search Report issued in PCT/US2011/065749, Apr. 2, 2012, 2 pages.

* cited by examiner

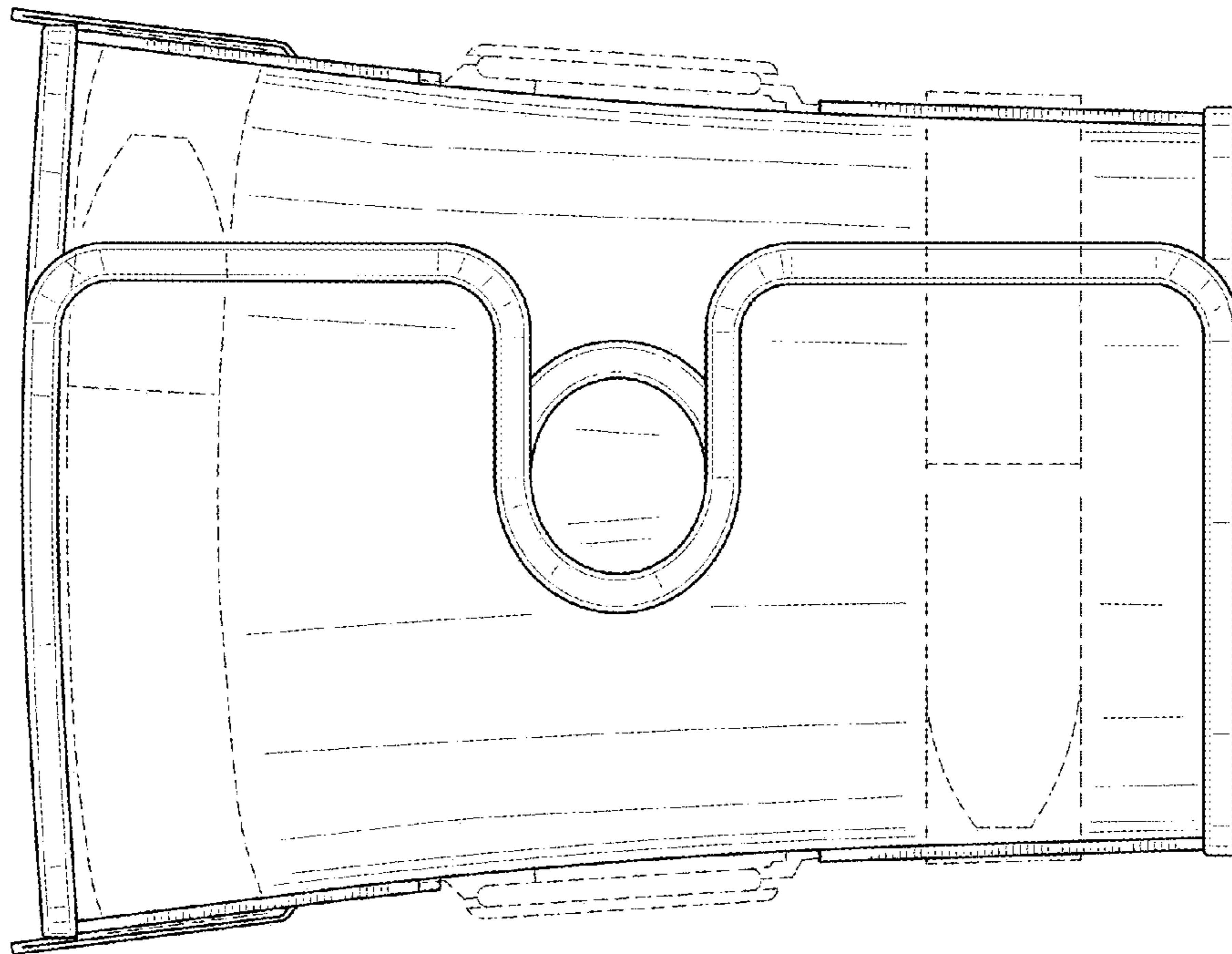


FIG. 2

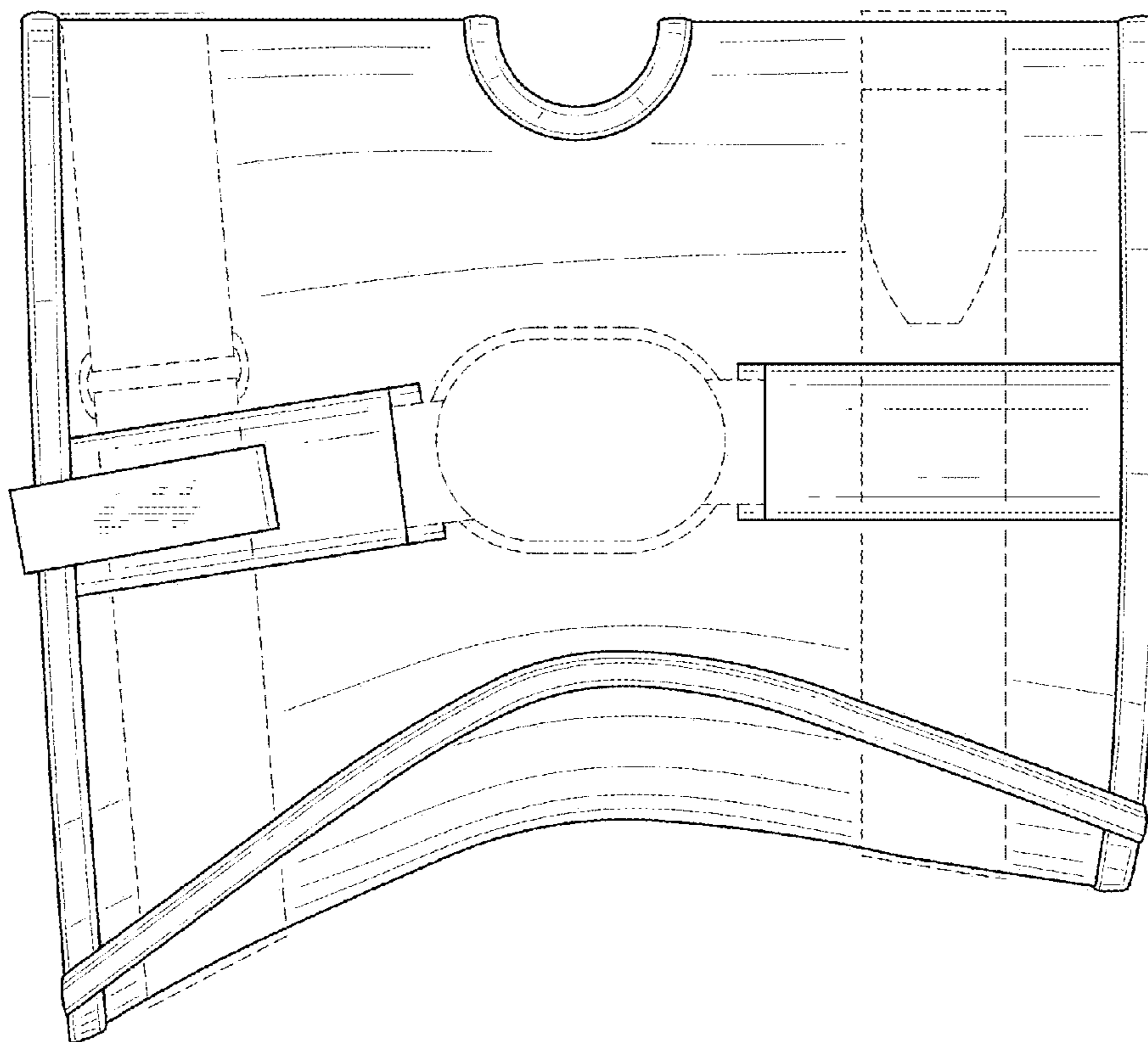


FIG. 1

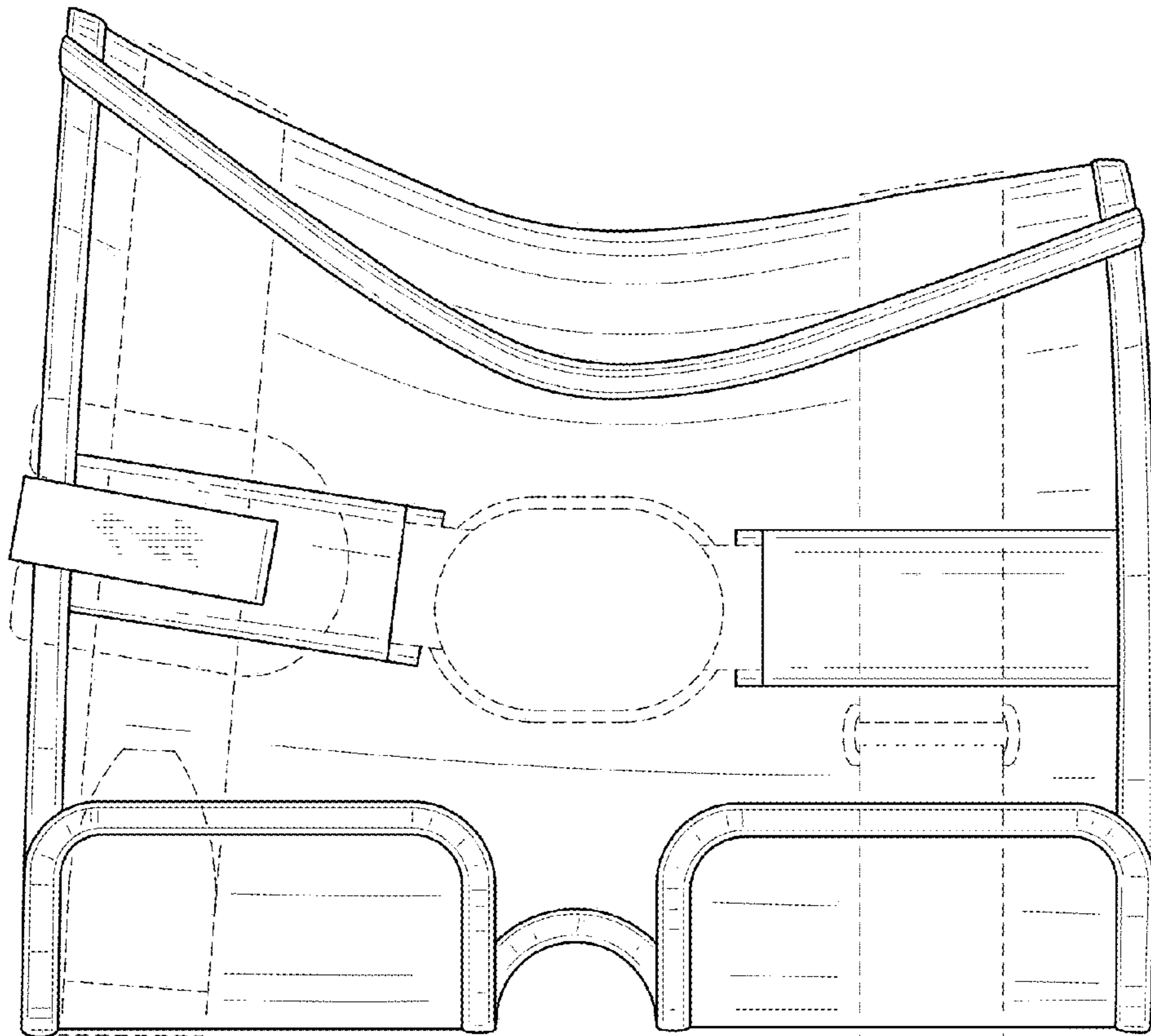


FIG. 4

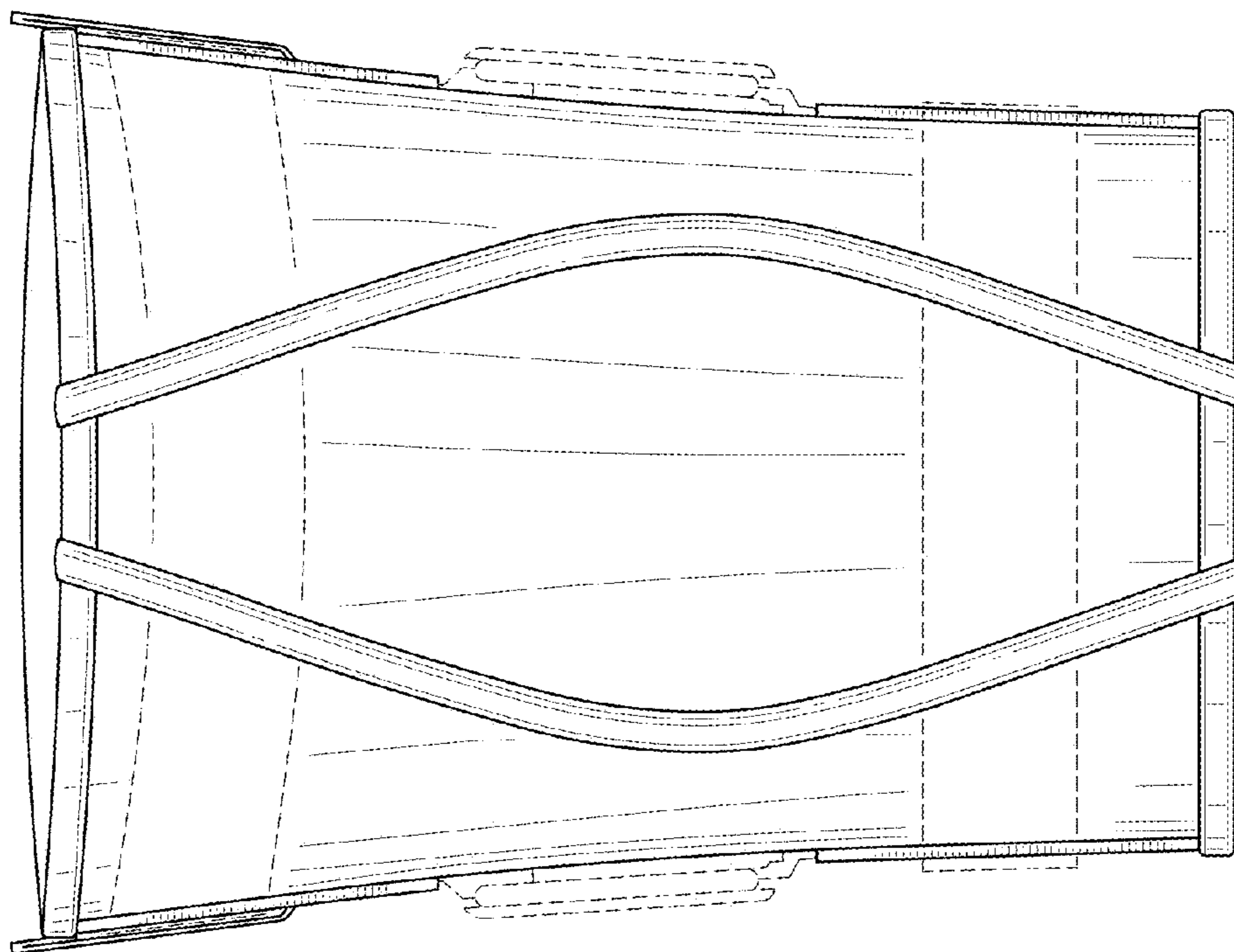


FIG. 3

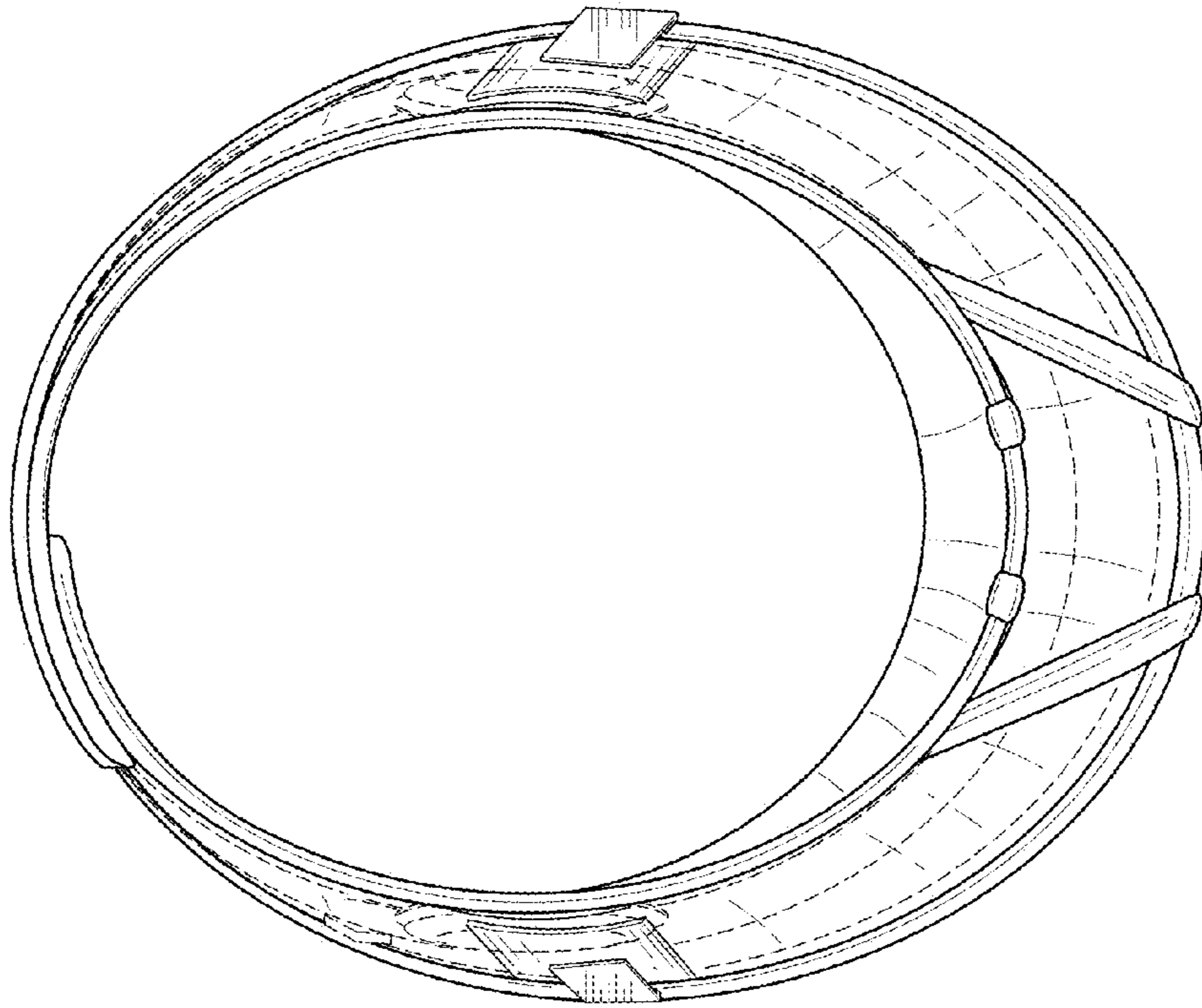


FIG. 6

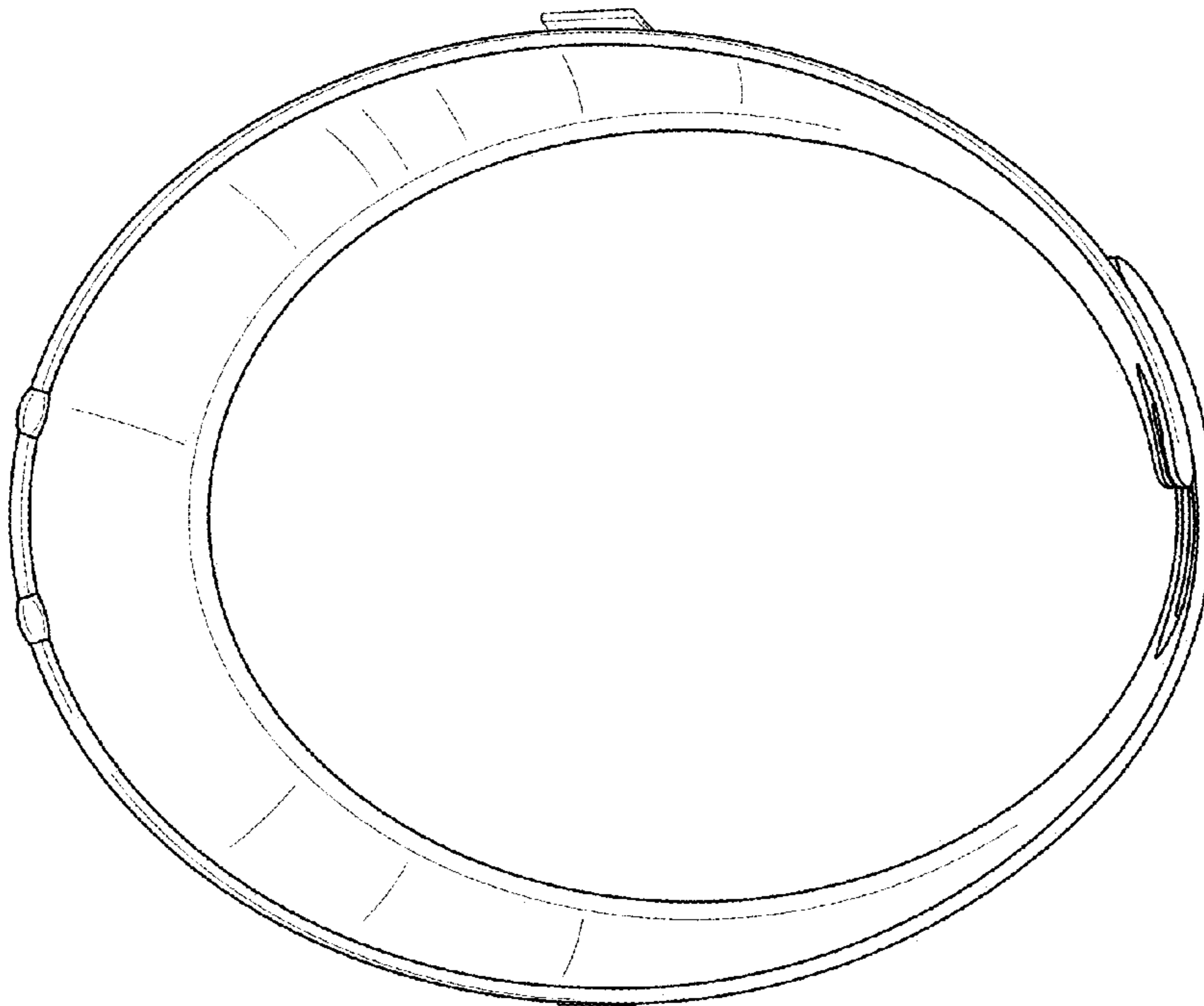


FIG. 5