



US00D716951S

(12) **United States Design Patent**  
**Farrell**

(10) **Patent No.:** **US D716,951 S**

(45) **Date of Patent:** **\*\* Nov. 4, 2014**

(54) **CONTAINER FOR APPLIANCE**

(71) Applicant: **Christopher John Farrell**, Helensvale (AU)

(72) Inventor: **Christopher John Farrell**, Helensvale (AU)

(\*\*) Term: **14 Years**

(21) Appl. No.: **29/437,507**

(22) Filed: **Nov. 16, 2012**

**Related U.S. Application Data**

(62) Division of application No. 29/393,717, filed on Jun. 8, 2011, now Pat. No. Des. 672,557.

(51) **LOC (10) Cl.** ..... **24-99**

(52) **U.S. Cl.**  
USPC ..... **D24/176; D3/203.1**

(58) **Field of Classification Search**  
USPC ..... D24/181, 123, 176-177, 180, 205, 227, D24/224; D3/201, 203.1, 230, 304, 273, D3/294; D6/663, 671.1; 128/859, 861; 164/376; 206/563, 565, 63.5, 207, 368; 433/77, 79

See application file for complete search history.

(56) **References Cited**

**U.S. PATENT DOCUMENTS**

D257,790 S \* 1/1981 Kesling ..... D24/227  
D315,954 S \* 4/1991 Berland ..... D3/294

D353,744 S \* 12/1994 Ferris et al. .... D7/629  
D400,011 S \* 10/1998 Palmer et al. .... D3/294  
D404,644 S \* 1/1999 Meeker ..... D24/227  
D496,154 S \* 9/2004 Herman et al. .... D3/203.1  
7,201,271 B1 \* 4/2007 Saad ..... 206/63.5  
D697,302 S \* 1/2014 Pourcho ..... D3/203.1  
2004/0244805 A1 \* 12/2004 Cook et al. .... 128/859  
2008/0283422 A1 \* 11/2008 Jansheski ..... 206/63.5

**OTHER PUBLICATIONS**

Appliance container pictures, 1995, 8 pages.

\* cited by examiner

*Primary Examiner* — Wan Laymon

(74) *Attorney, Agent, or Firm* — Grossman Tucker Perreault & Pflieger PLLC

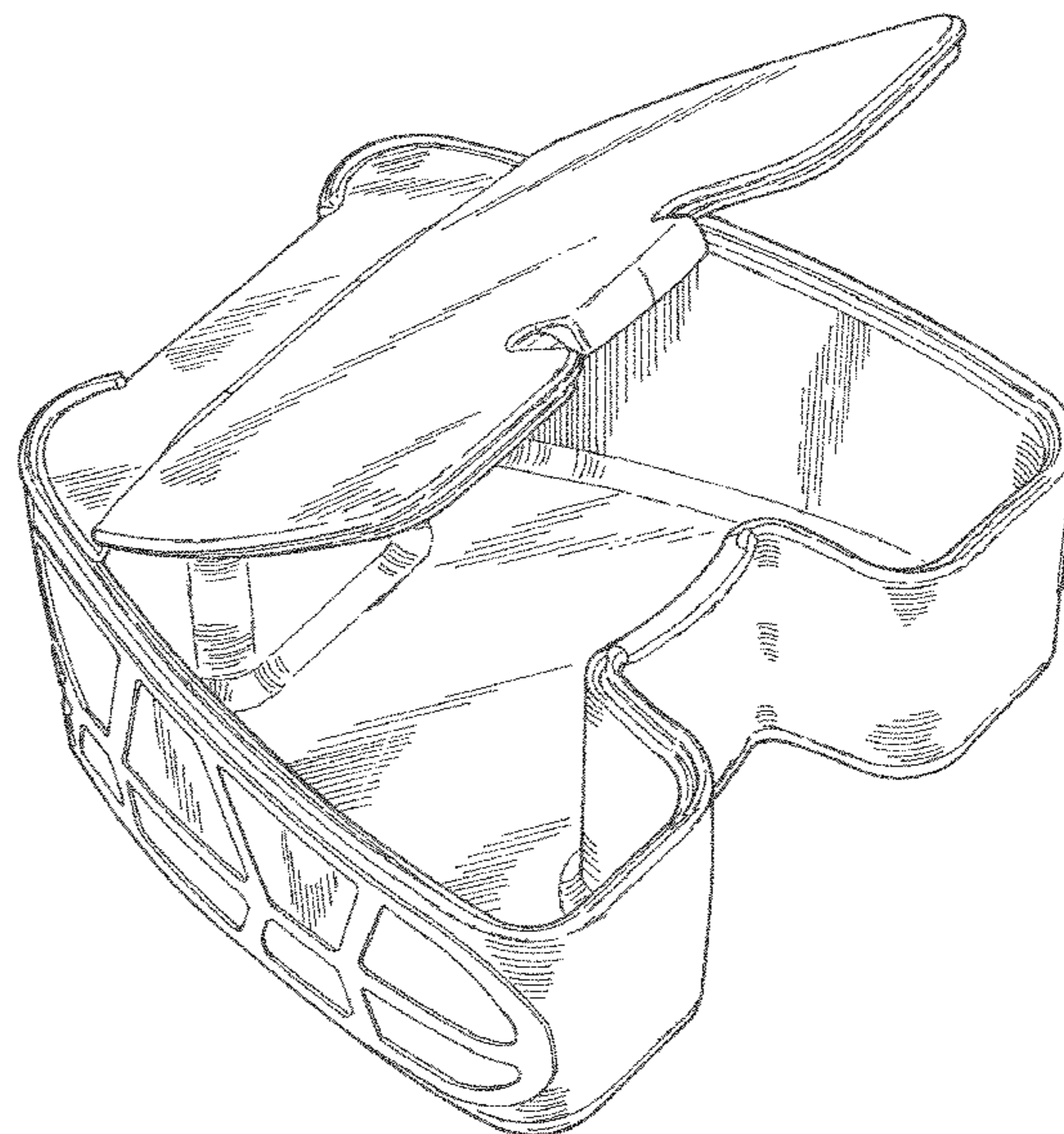
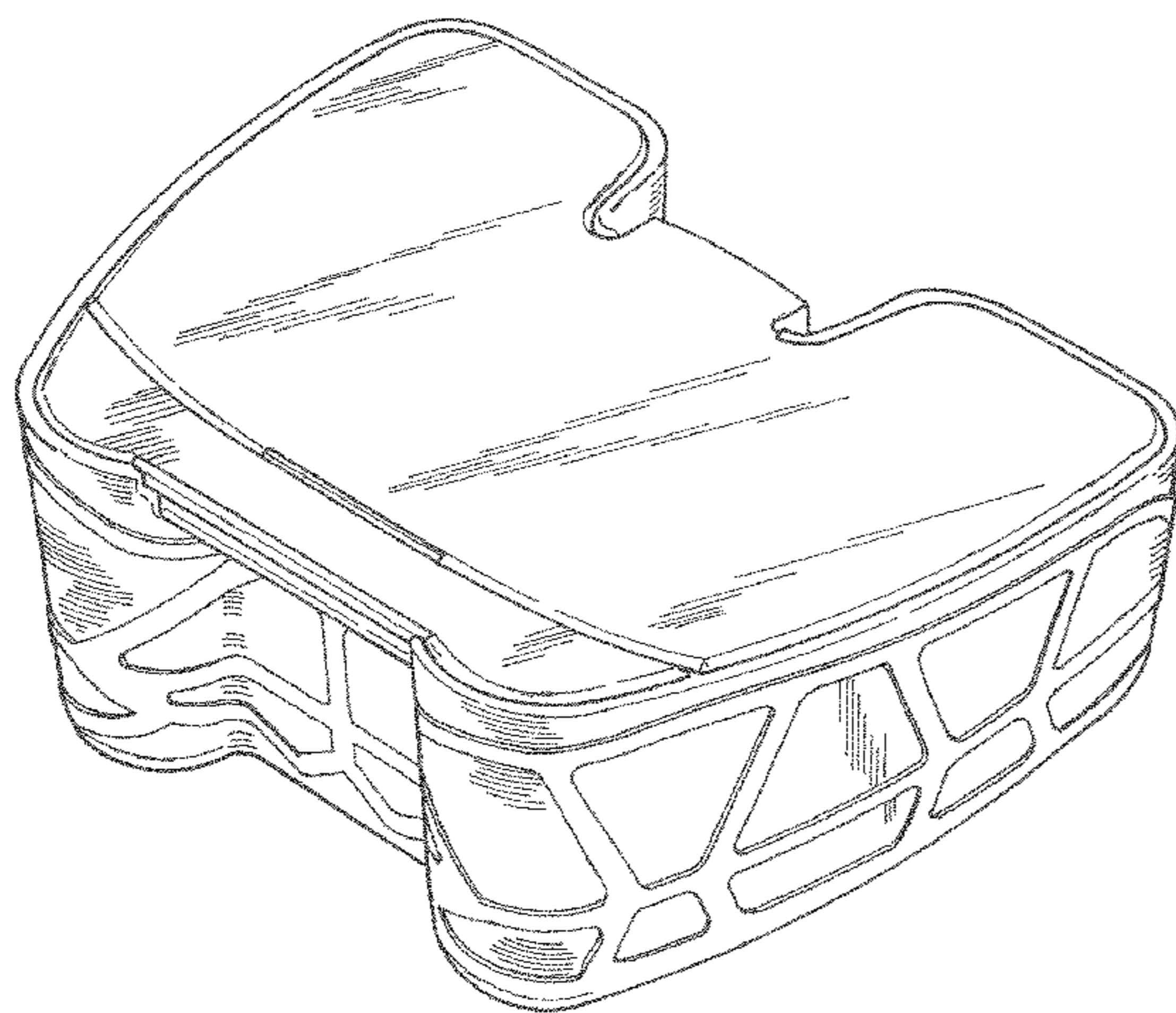
(57) **CLAIM**

The ornamental design for a container for appliance, as shown.

**DESCRIPTION**

FIG. 1 is a rear perspective view of a first embodiment of a container for appliance of the present invention; FIG. 2 is a rear view of the container for appliance of FIG. 1; FIG. 3 is a front view of the container for appliance of FIG. 1; FIG. 4 is a side view of the container for appliance of FIG. 1; FIG. 5 is a top plan view of the container for appliance of FIG. 1; FIG. 6 is a bottom plan view of the container for appliance of FIG. 1; and, FIG. 7 is a front perspective view of the container for appliance of FIG. 1 with lid open.

**1 Claim, 6 Drawing Sheets**



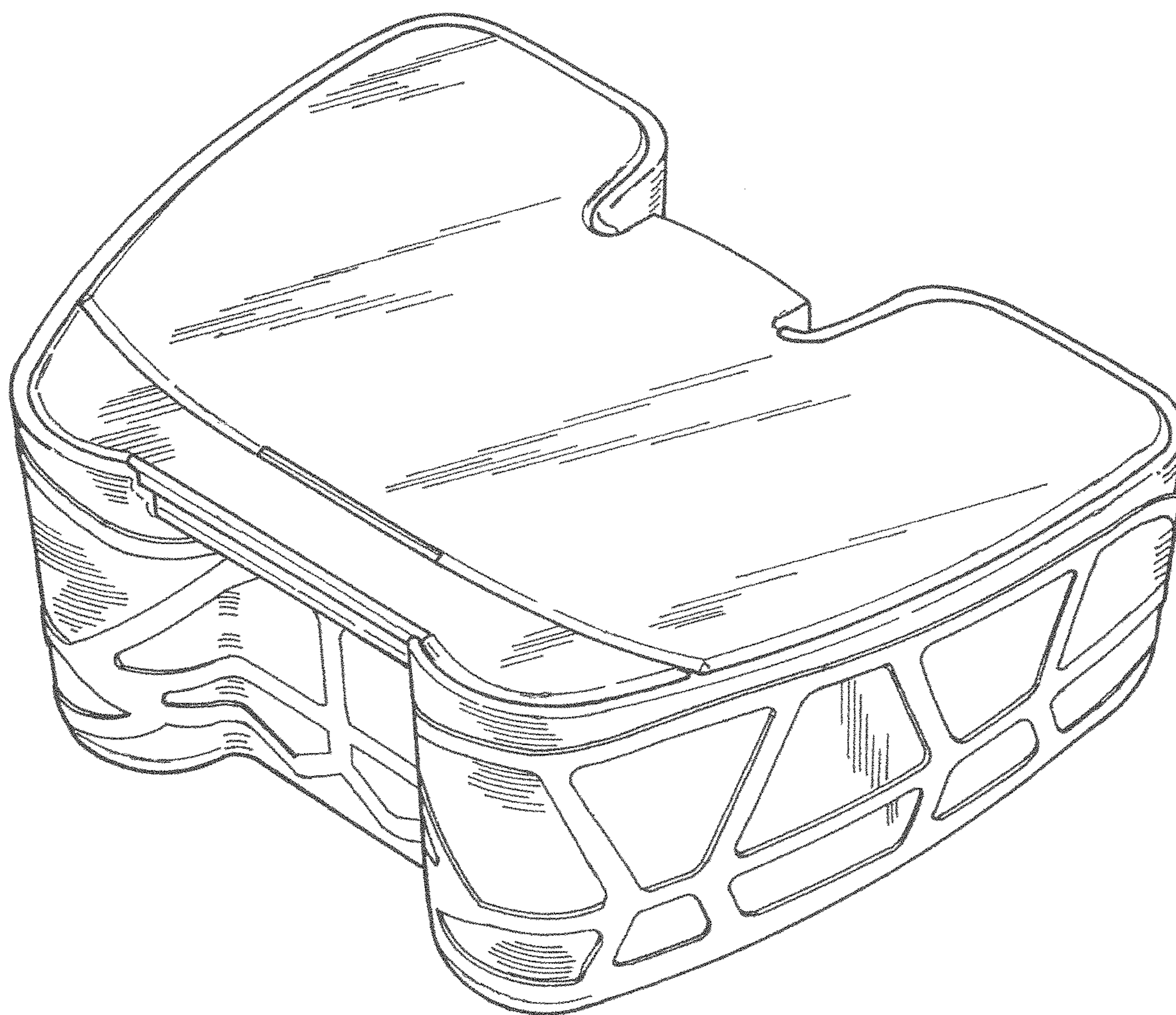


FIG. 1

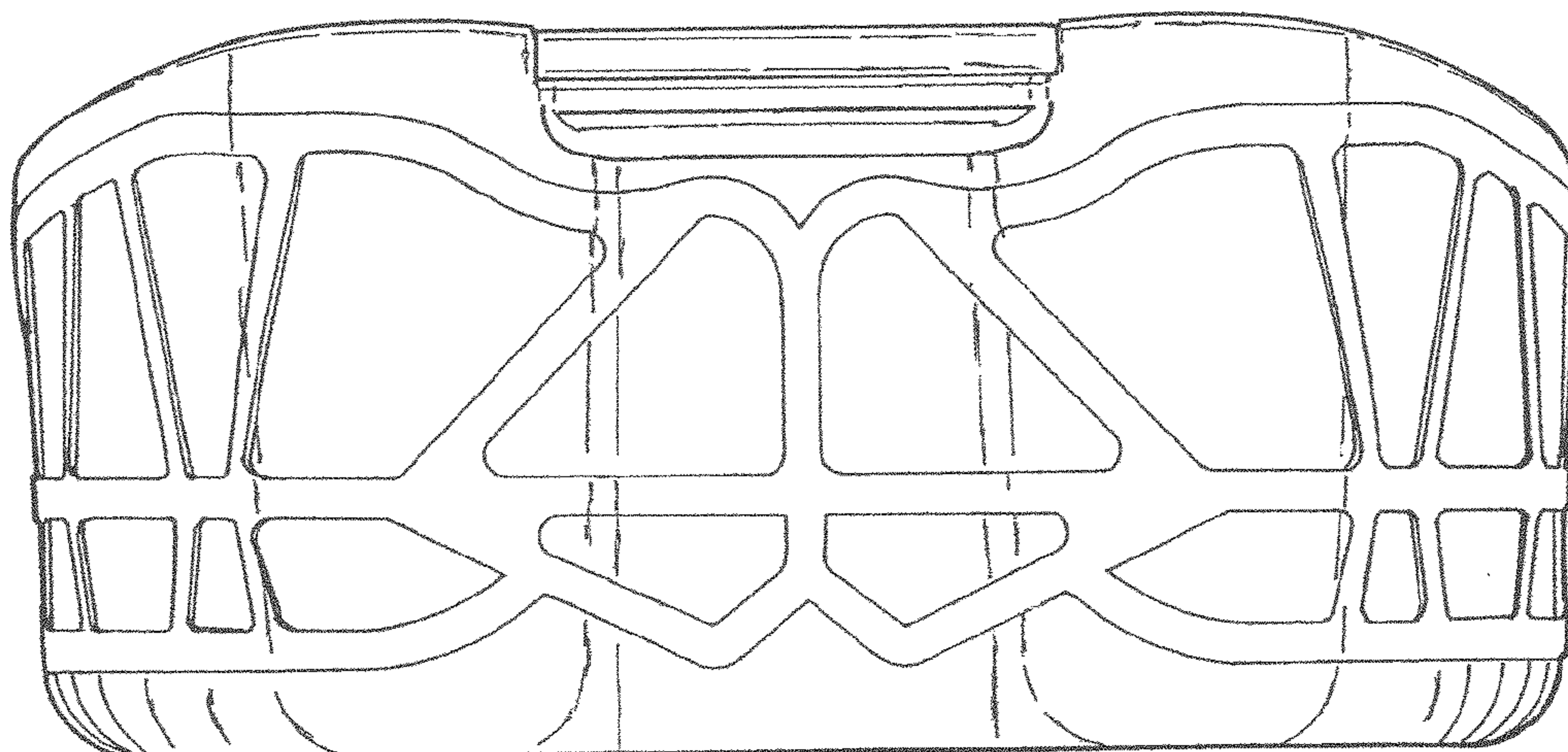


FIG. 2

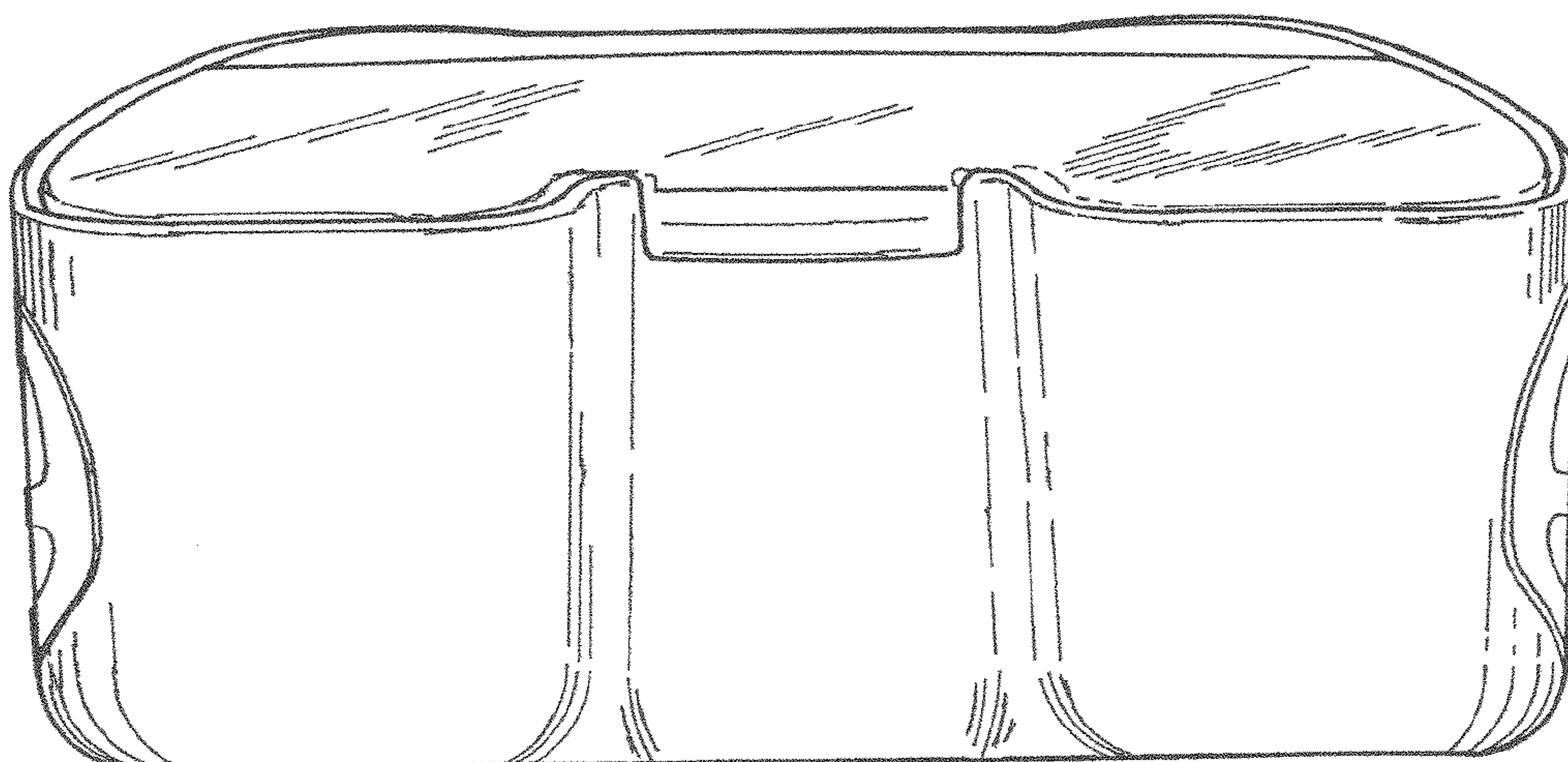


FIG. 3

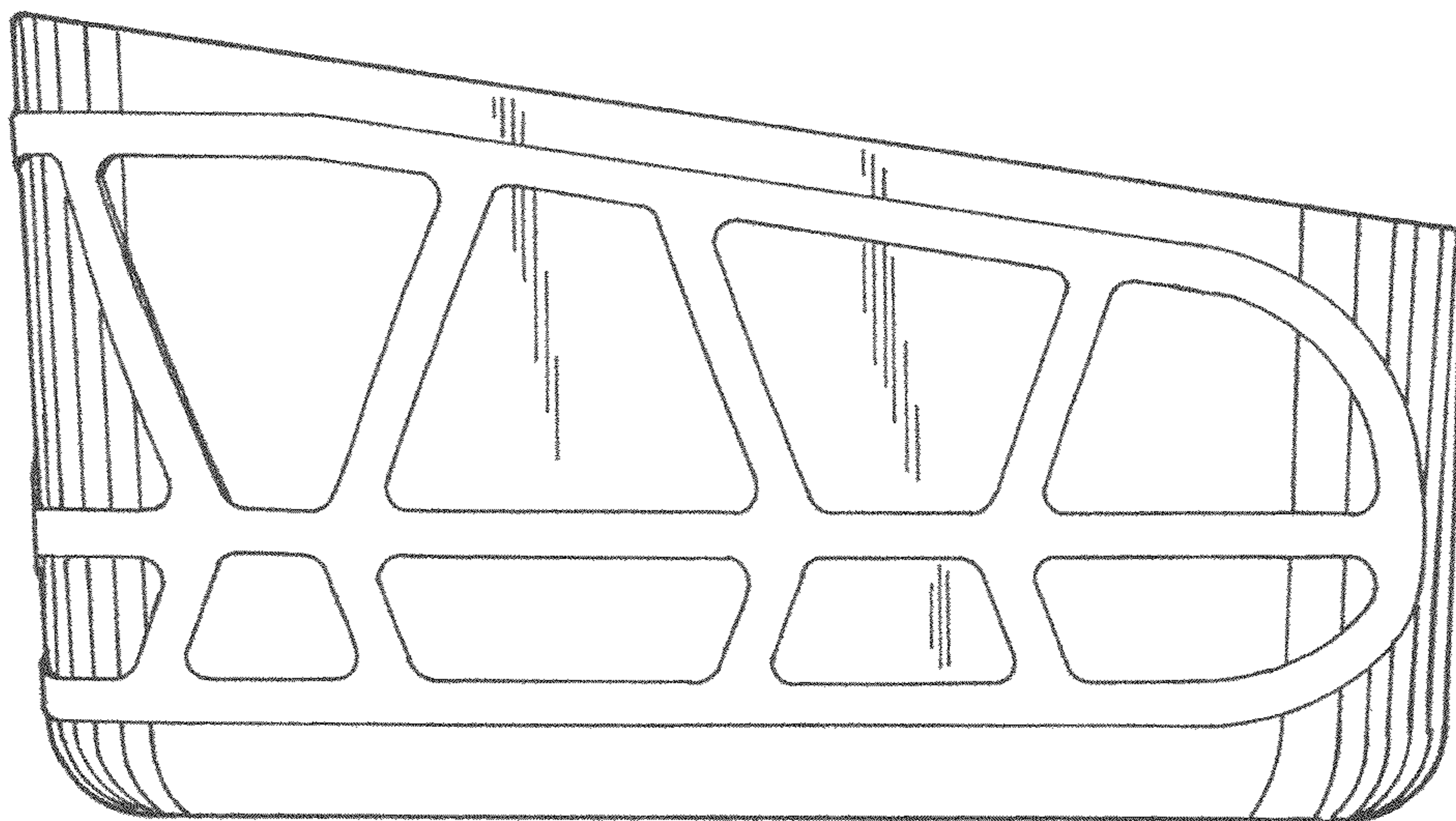


FIG. 4

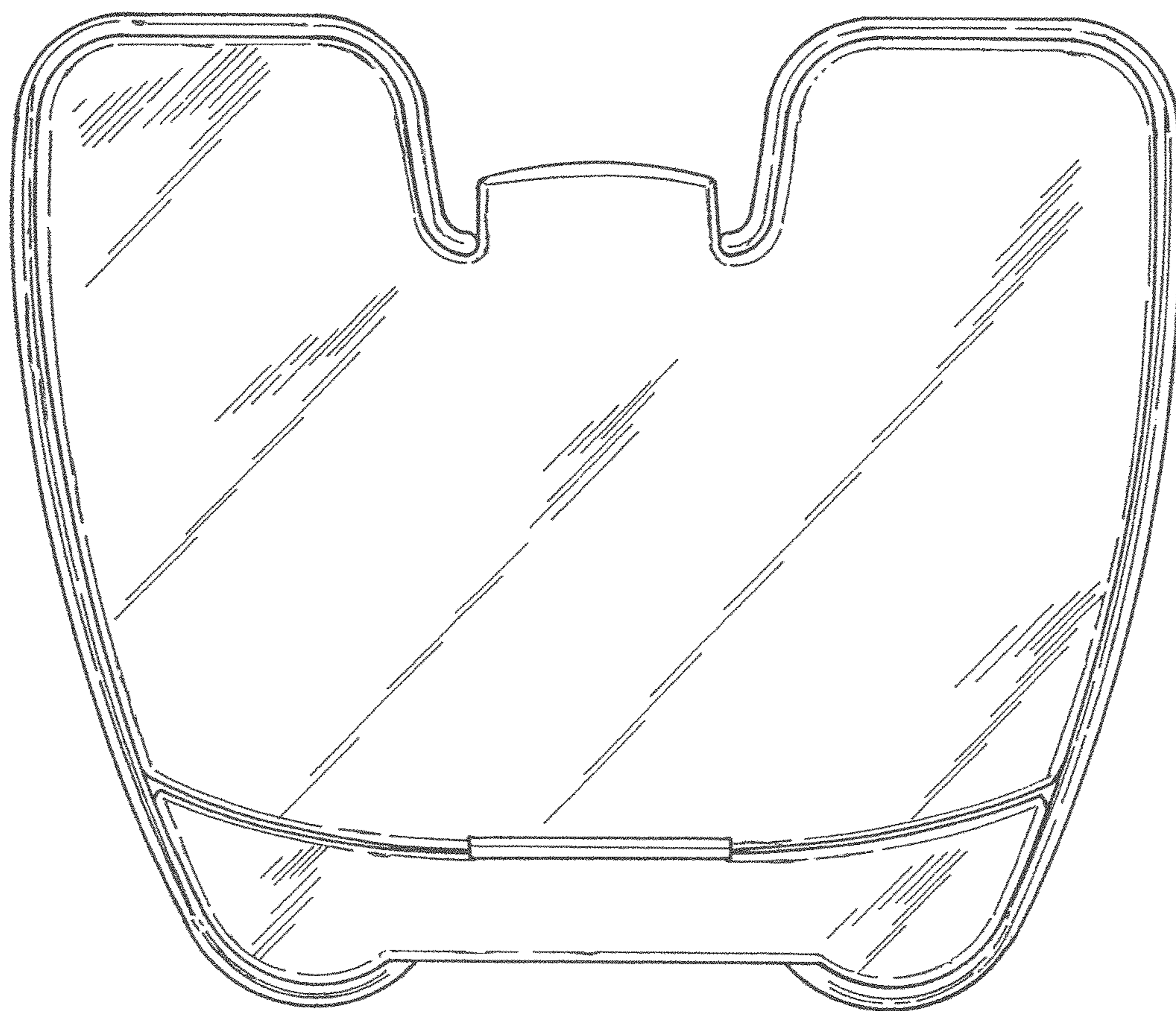


FIG. 5

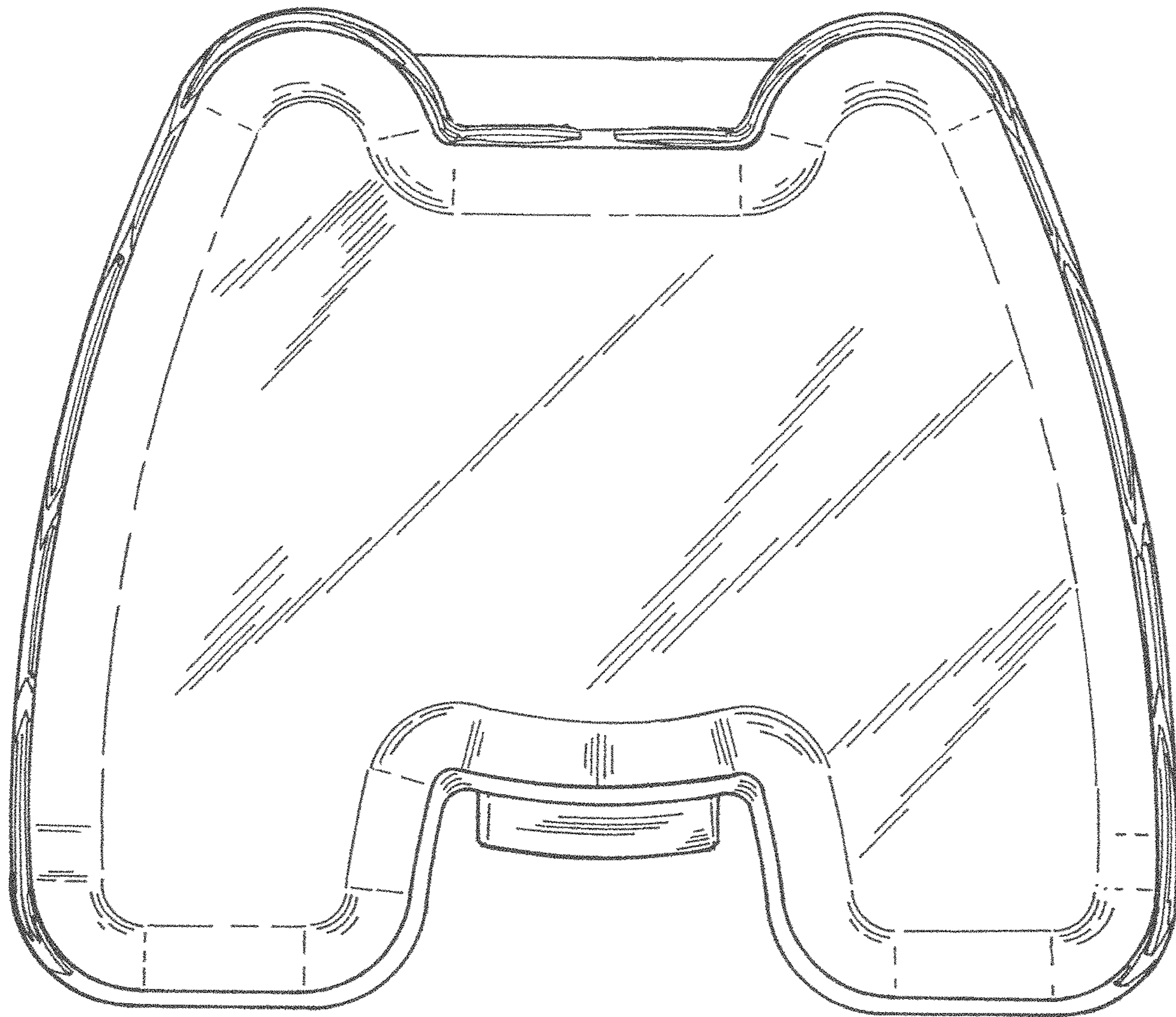


FIG. 6

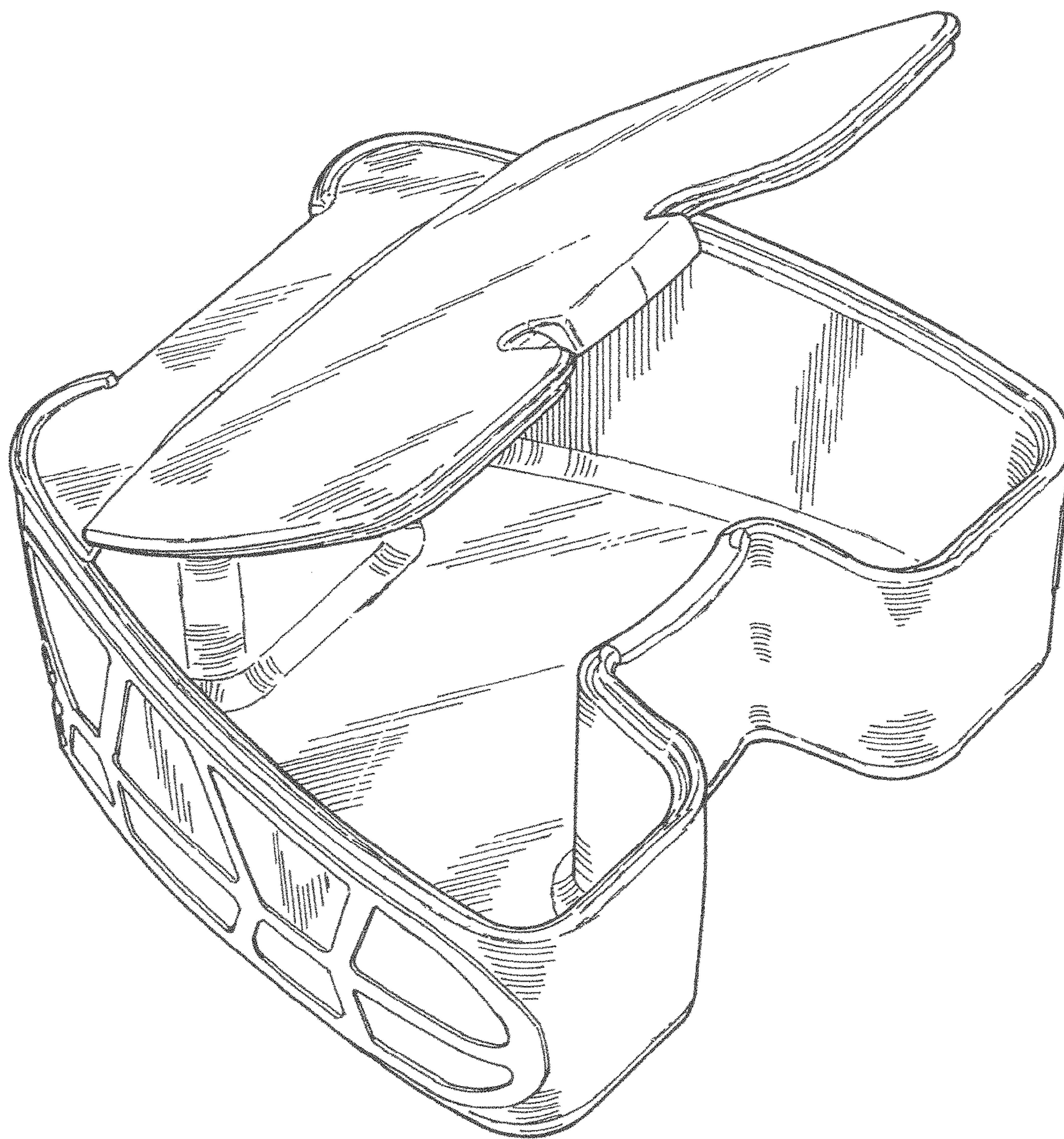


FIG. 7