



US00D716949S

(12) **United States Design Patent**
Baba et al.

(10) **Patent No.:** **US D716,949 S**
(45) **Date of Patent:** **** Nov. 4, 2014**

(54) **ULTRASONIC DIAGNOSIS APPARATUS**

(71) Applicants: **Kabushiki Kaisha Toshiba**, Tokyo (JP);
Toshiba Medical Systems Corporation,
Otawara (JP)

(72) Inventors: **Noriaki Baba**, Tokyo (JP); **Junya Suzuki**, Yokosuka (JP)

(73) Assignees: **Kabushiki Kaisha Toshiba**, Tokyo (JP);
Toshiba Medical Systems Corporation,
Tochigi-Ken (JP)

(**) Term: **14 Years**

(21) Appl. No.: **29/470,634**

(22) Filed: **Oct. 23, 2013**

(30) **Foreign Application Priority Data**

Apr. 26, 2013 (JP) 2013-009399
Apr. 26, 2013 (JP) 2013-009400

(51) **LOC (10) Cl.** **24-01**

(52) **U.S. Cl.**
USPC **D24/160**

(58) **Field of Classification Search**
CPC A61B 8/4405; A61B 8/462; A61B 8/463;
A61B 8/467
USPC D24/158-161, 185, 186; 606/32-34;
600/437, 443; 248/282.1
See application file for complete search history.

(56) **References Cited**

U.S. PATENT DOCUMENTS

D560,807 S * 1/2008 Kitayama et al. D24/158
D571,011 S * 6/2008 Otoha et al. D24/158
D630,752 S * 1/2011 Suzuki D24/158
D650,482 S * 12/2011 Kim et al. D24/158
D662,208 S * 6/2012 Otoha et al. D24/185
D687,151 S * 7/2013 Yokoyama et al. D24/186

2008/0132789 A1 * 6/2008 Malchow et al. 600/443
2008/0161688 A1 * 7/2008 Poland 600/437
2011/0201927 A1 * 8/2011 Hayakawa et al. 600/437
2013/0030292 A1 * 1/2013 Nakajima 600/437
2013/0165790 A1 * 6/2013 Kim 600/443

FOREIGN PATENT DOCUMENTS

JP 1386372 4/2010
JP 1424938 10/2011
JP 1440479 10/2012
KR 30-0572387 9/2010

* cited by examiner

Primary Examiner — Anhdao Doan

(74) *Attorney, Agent, or Firm* — Banner & Witcoff, Ltd.

(57) **CLAIM**

The ornamental design for a ultrasonic diagnosis apparatus,
as shown and described.

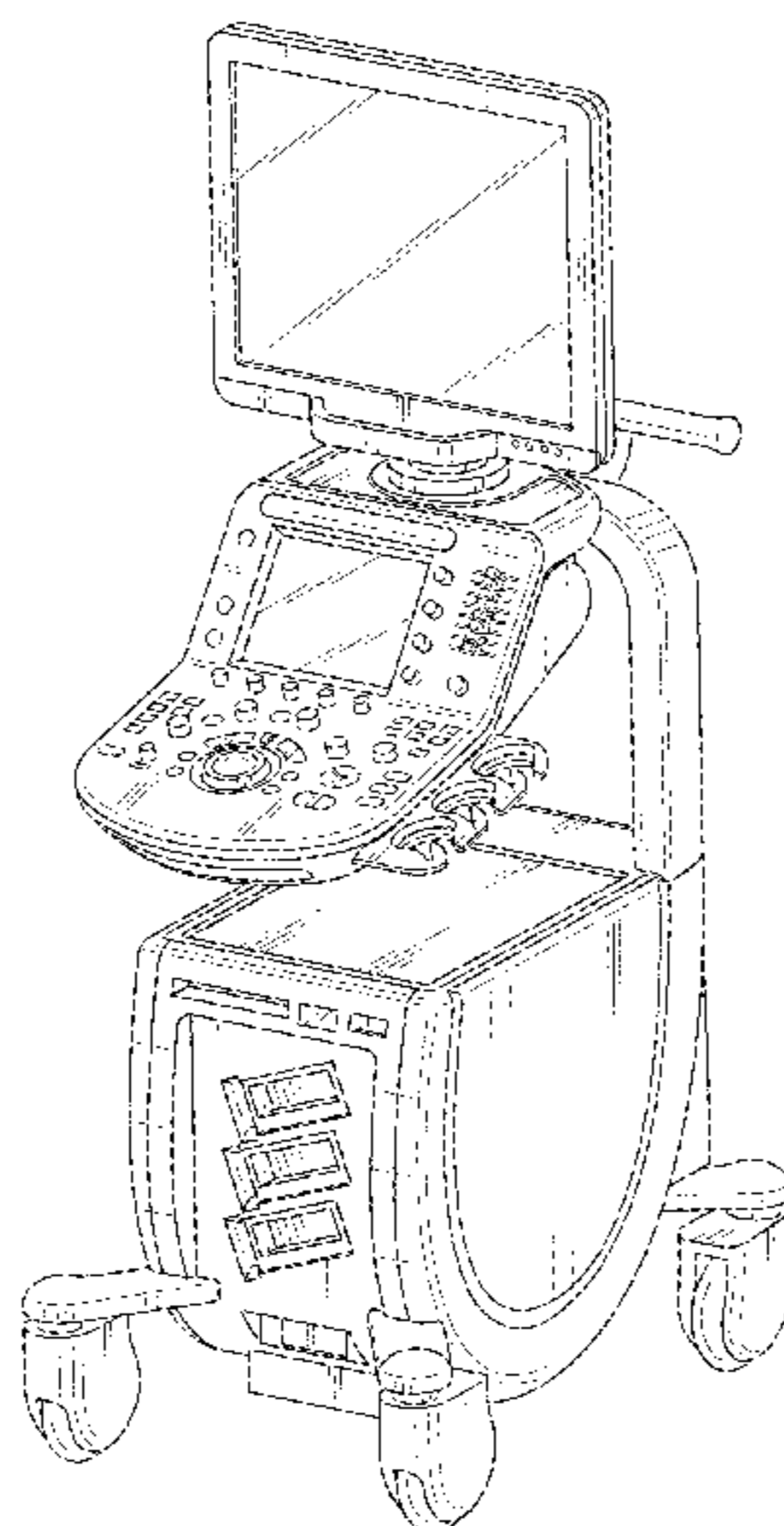
DESCRIPTION

FIG. 1 is a front, top and right side perspective view of a
ultrasonic diagnosis apparatus, showing our new design;
FIG. 2 is a rear, top and left side perspective view thereof;
FIG. 3 is a front view thereof;
FIG. 4 is a right side view thereof;
FIG. 5 is a rear view thereof;
FIG. 6 is a left side view thereof;
FIG. 7 is a top view thereof;
FIG. 8 is a bottom view thereof;
FIG. 9 is an enlarged end view thereof, taken along the line
9-9 in FIG. 3, with its internal mechanisms omitted; and,
FIG. 10 is an enlarged cross sectional view thereof, taken
along the line 10-10 in FIG. 4.

The broken lines in FIG. 3 are included to indicate the cutting
plane of FIG. 9.

The broken lines shown in FIGS. 9 and 10 are for environ-
mental purposes only and form no part of the claimed design.

1 Claim, 10 Drawing Sheets



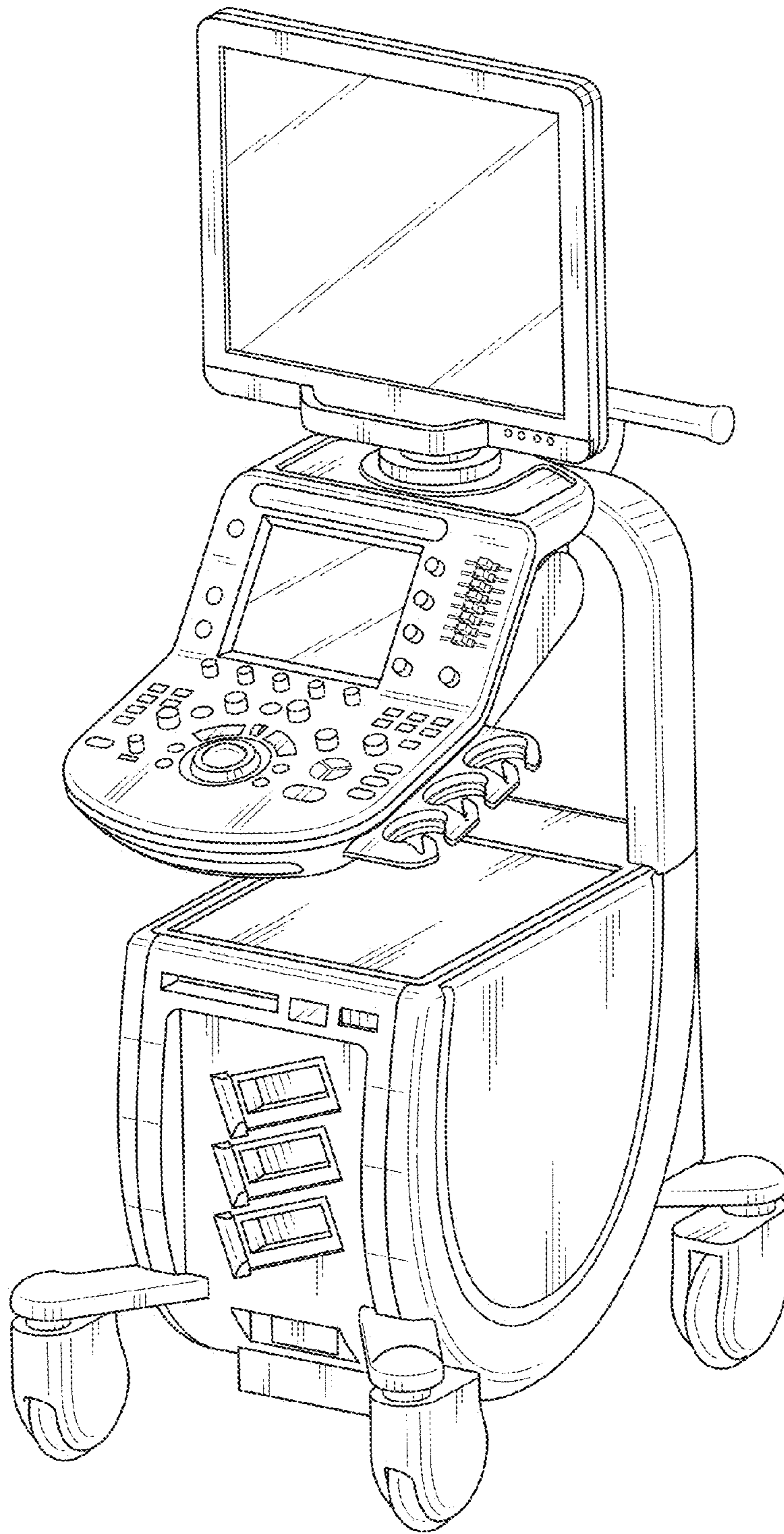


Fig. 1

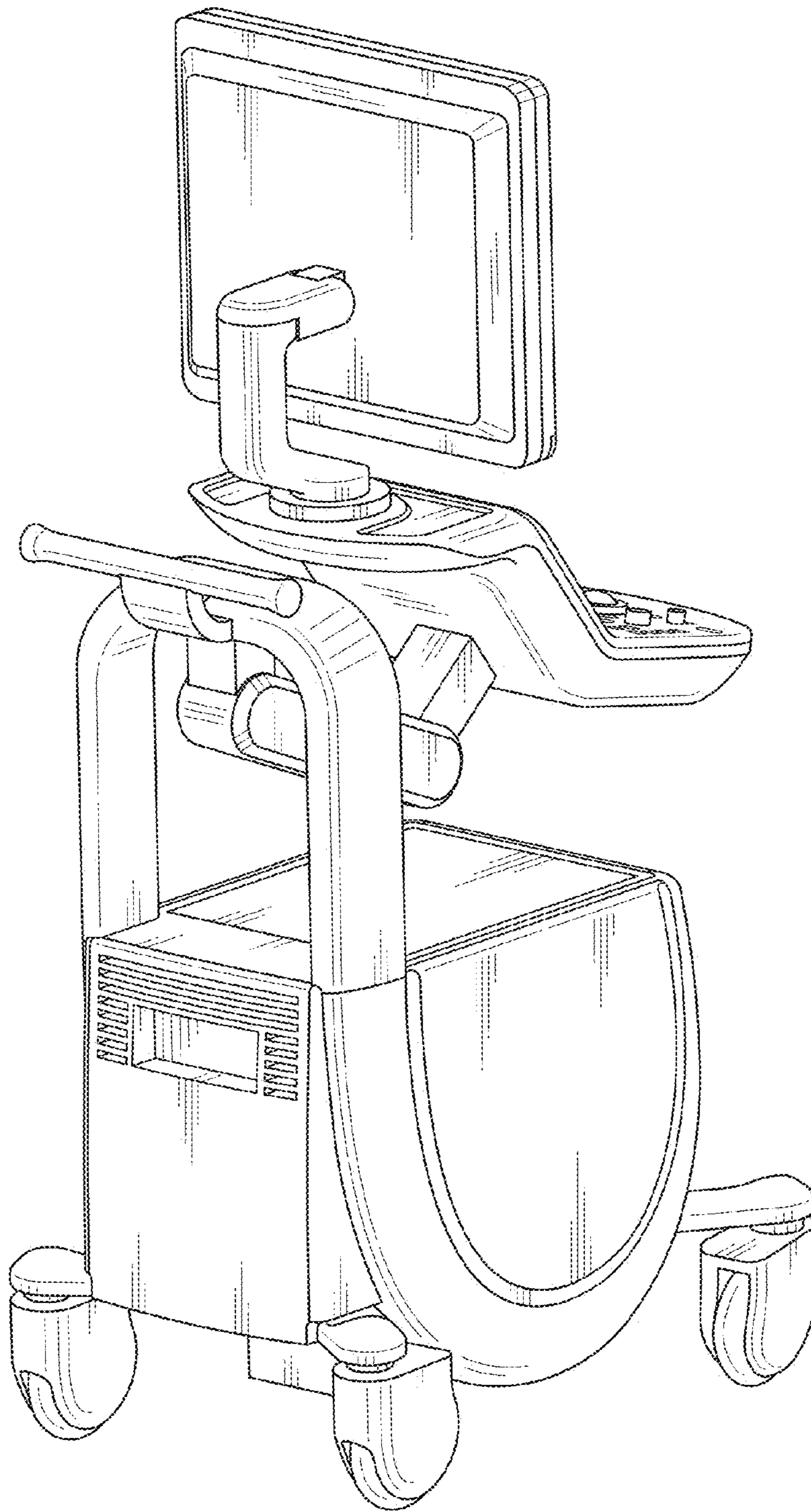


Fig. 2

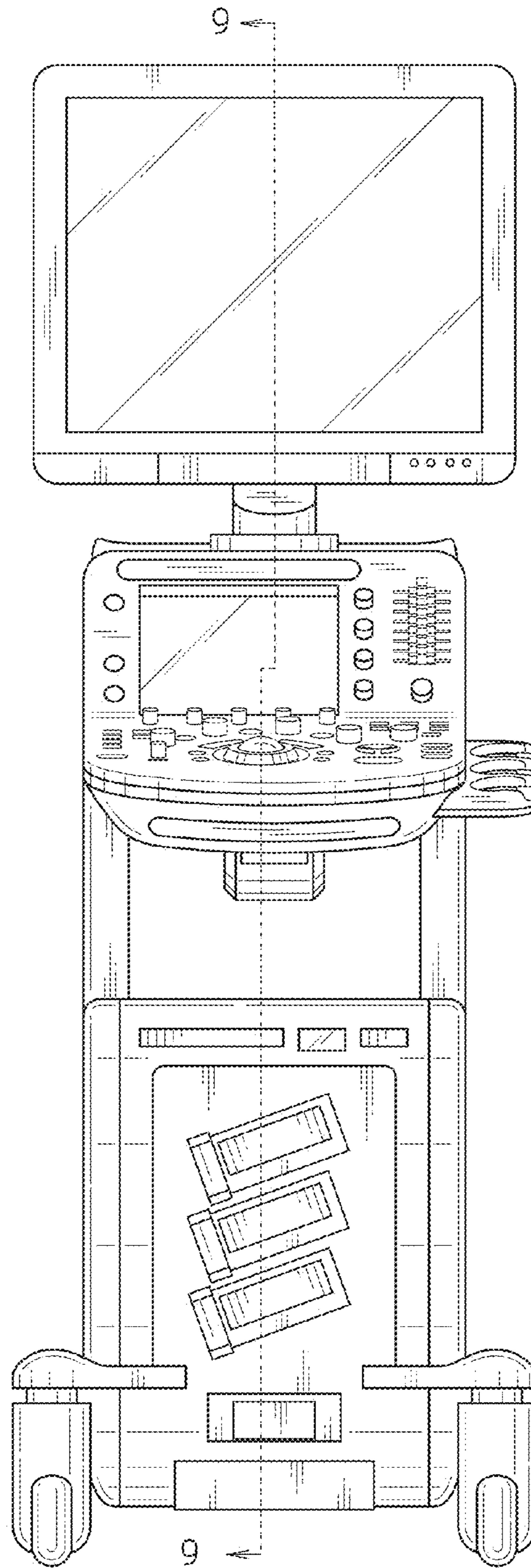


Fig. 3

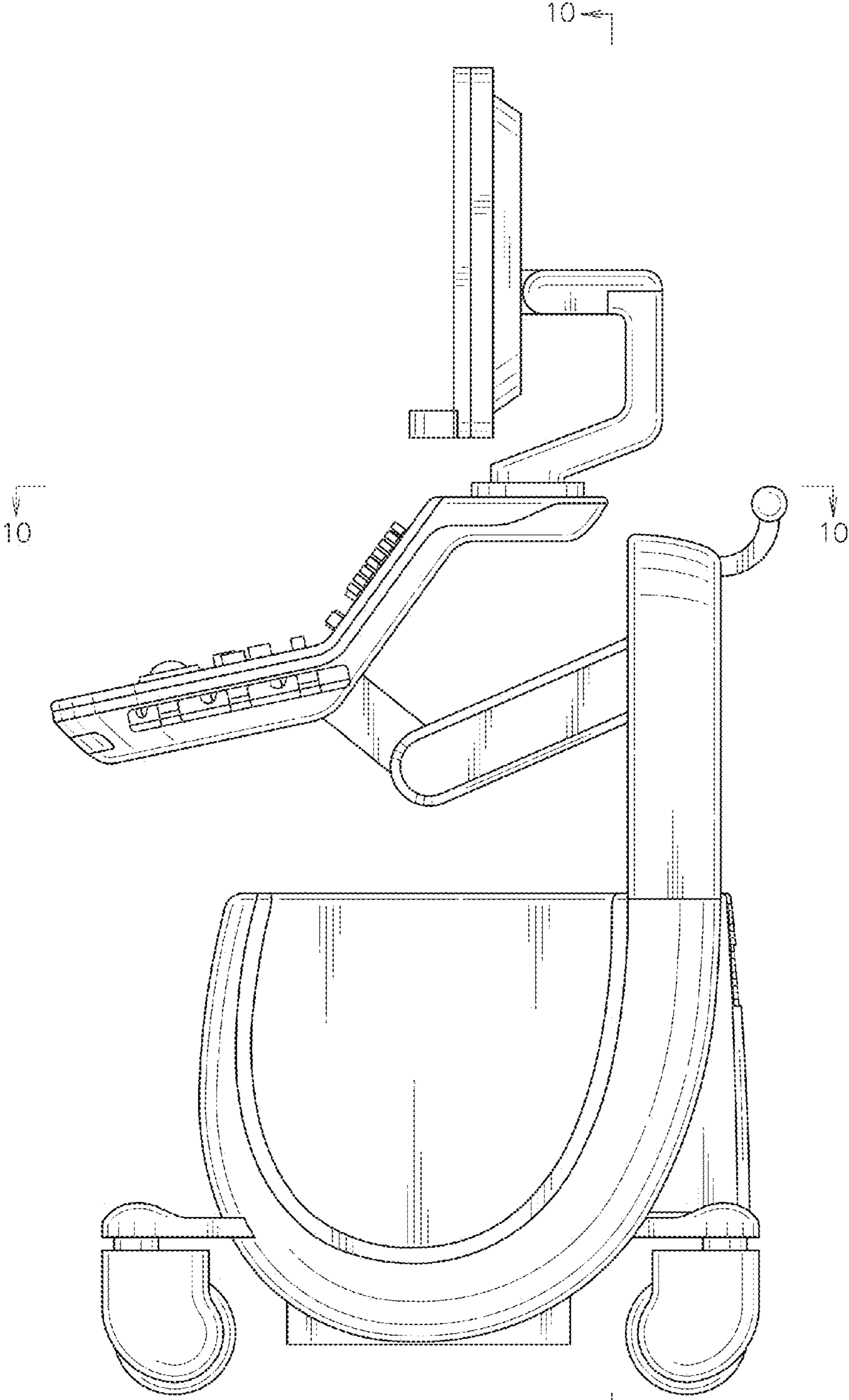


Fig. 4

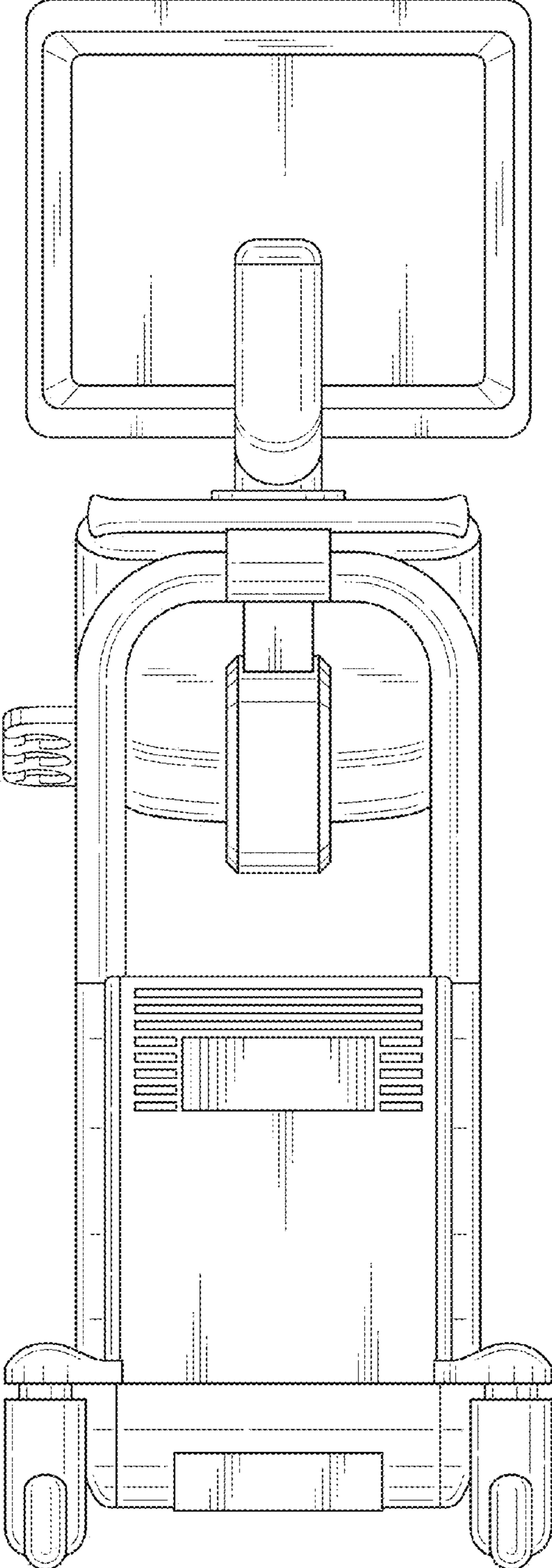


Fig. 5

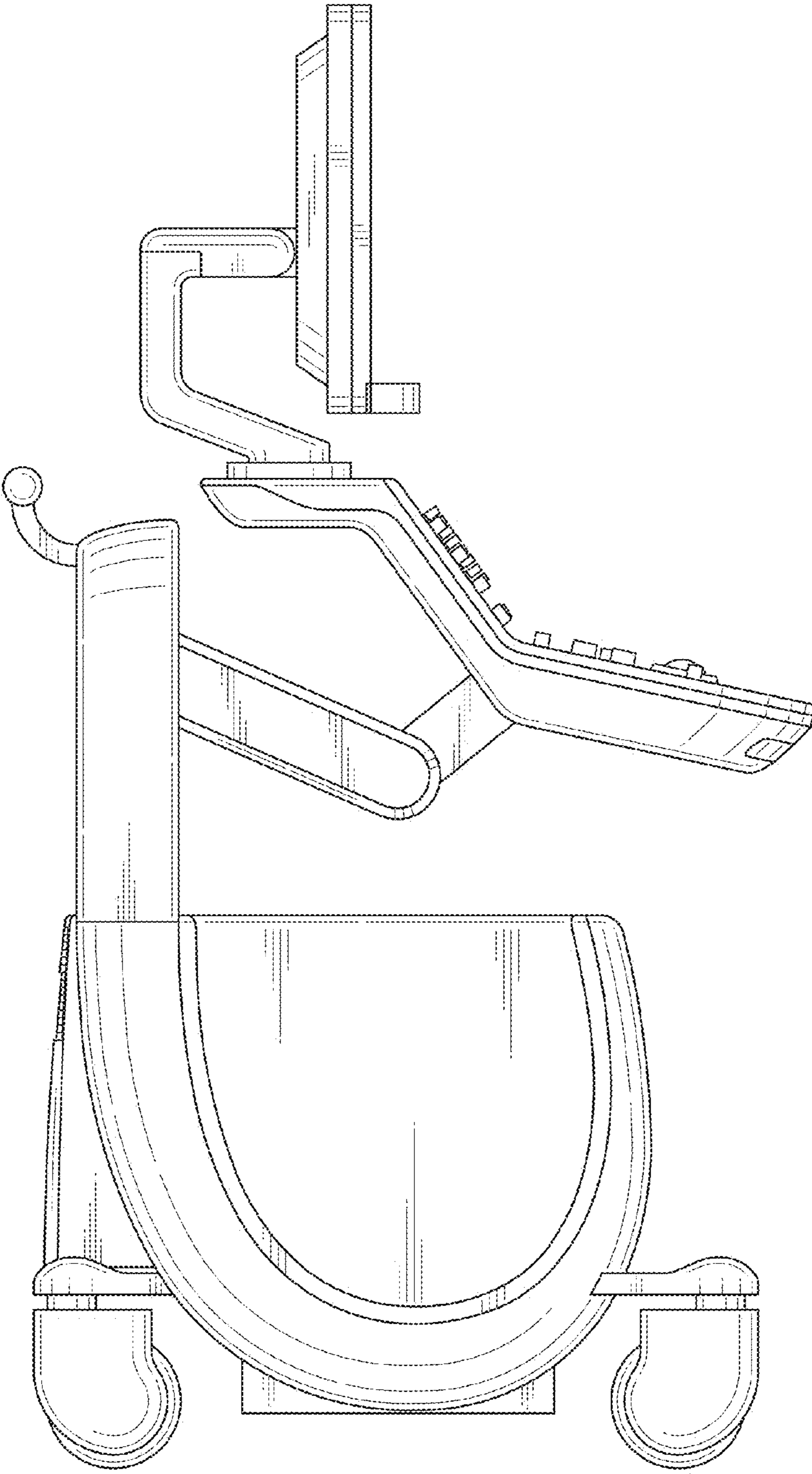


Fig. 6

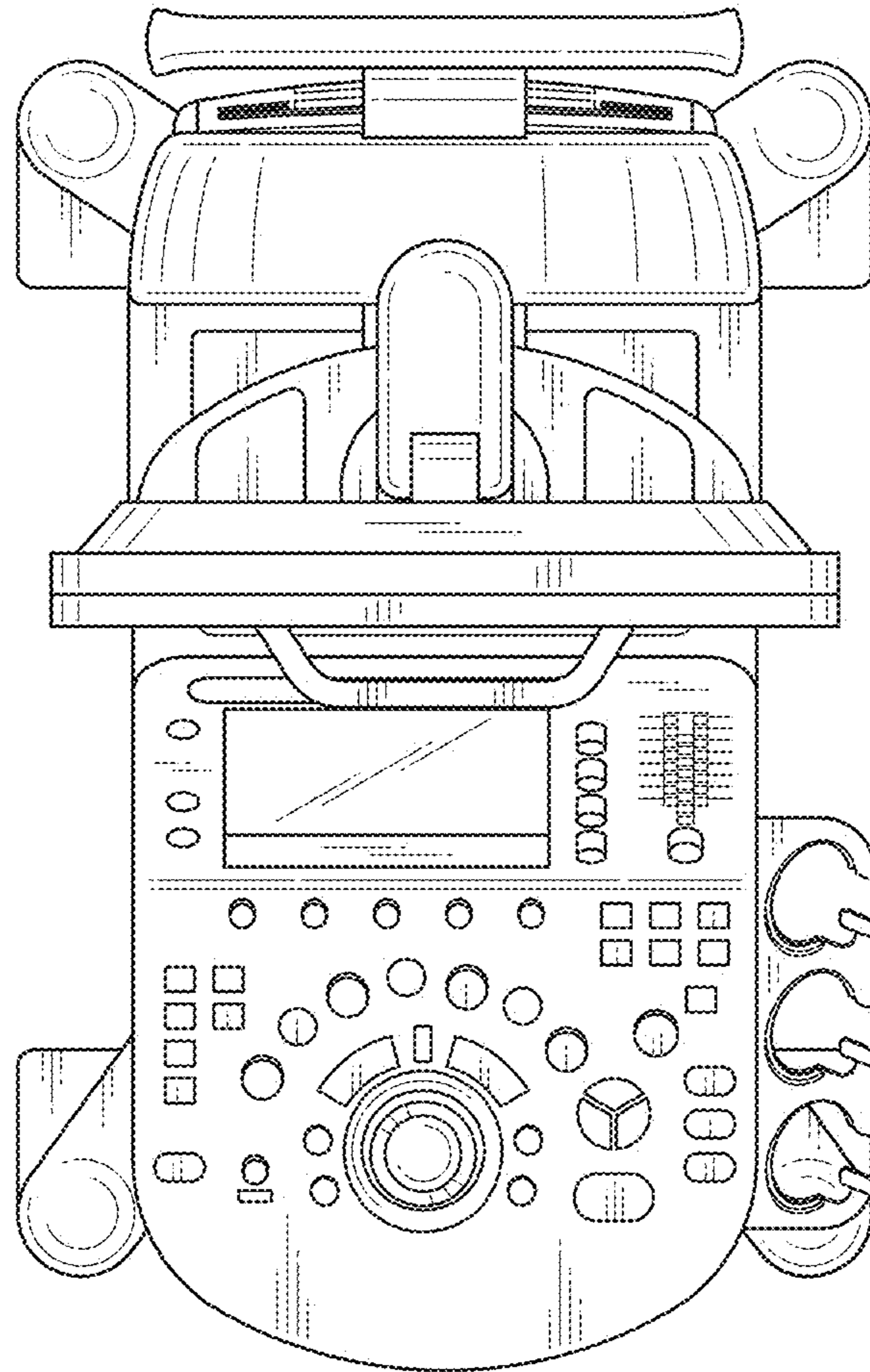


Fig. 7

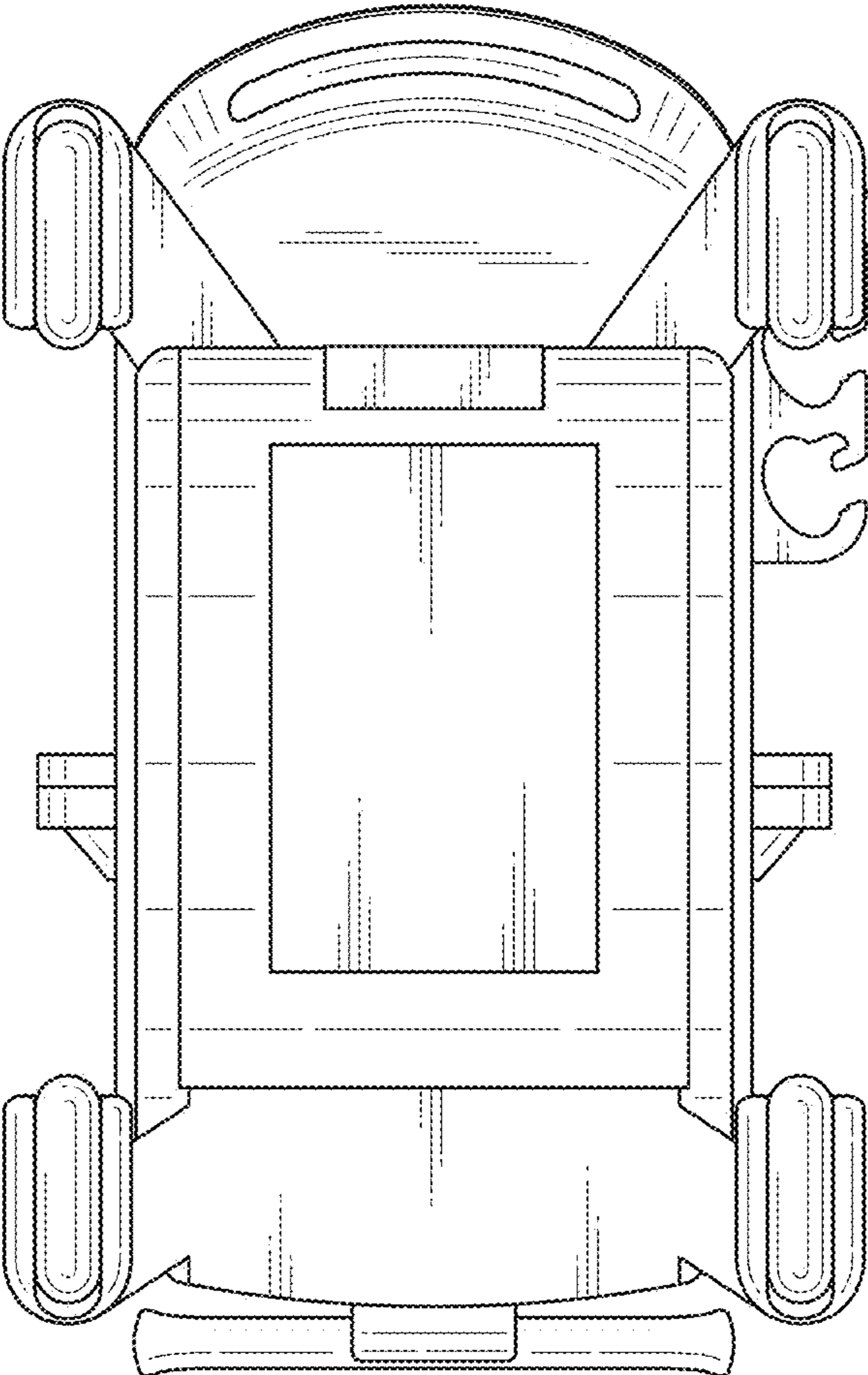


Fig. 8

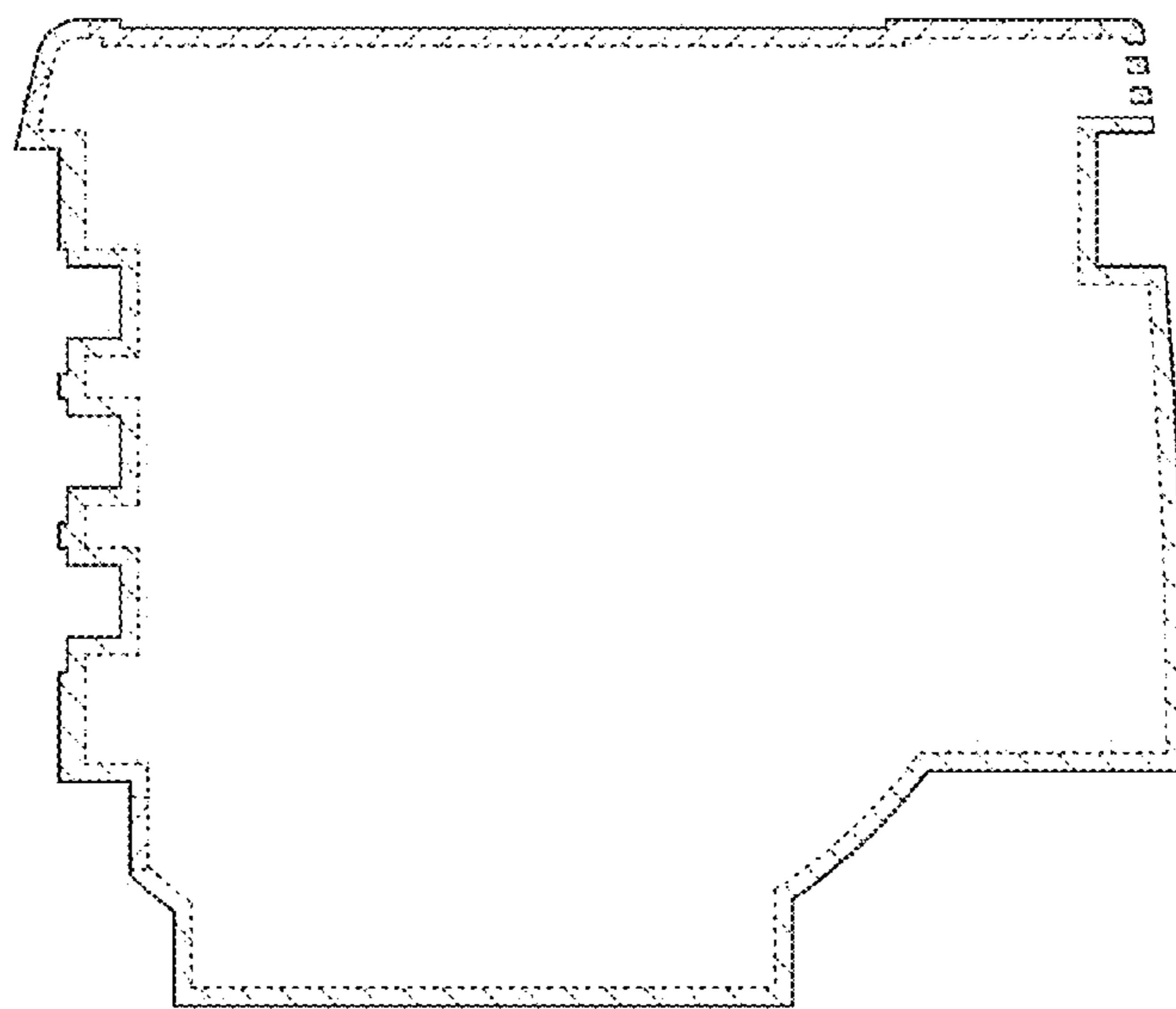
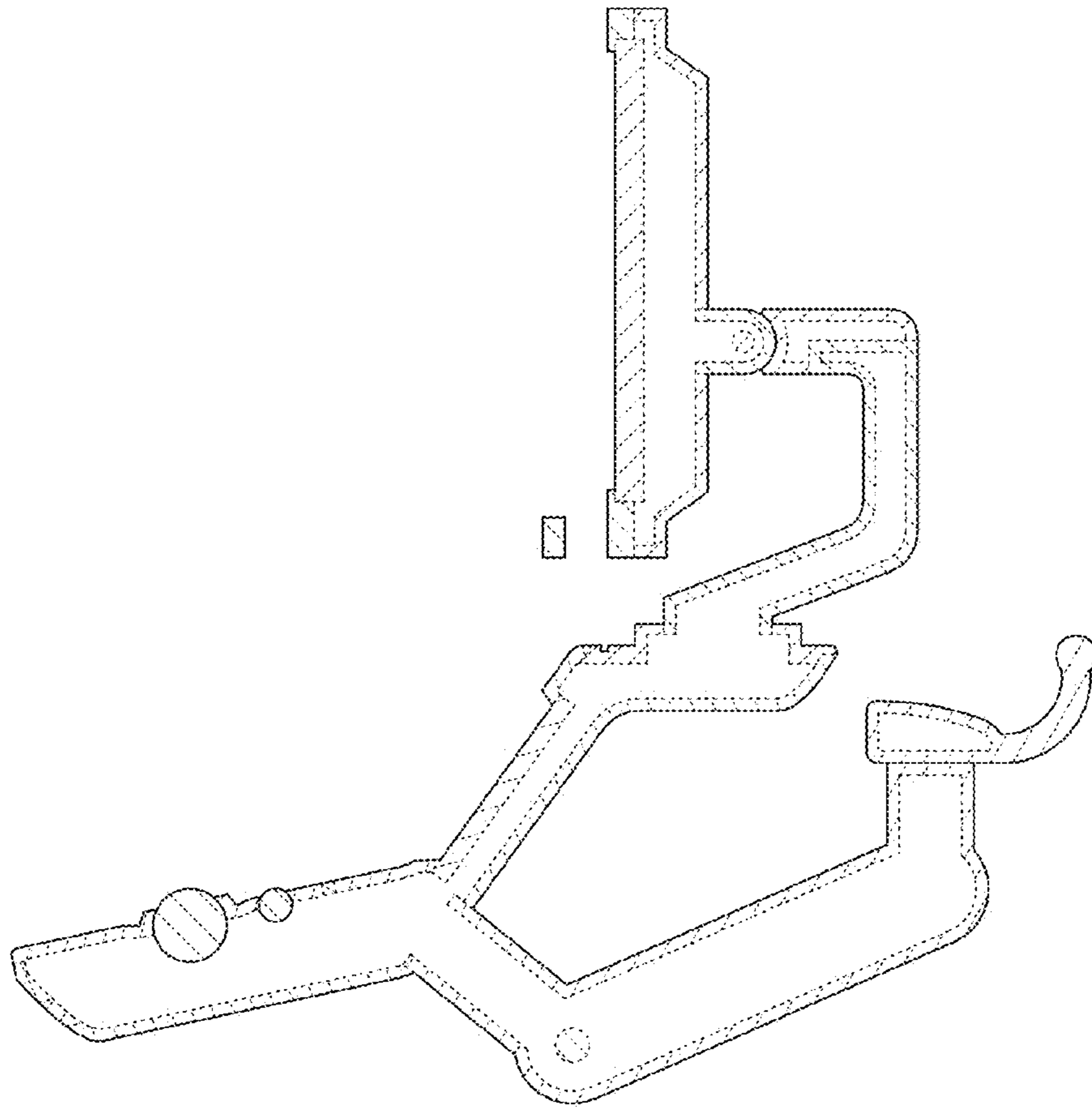


Fig. 9

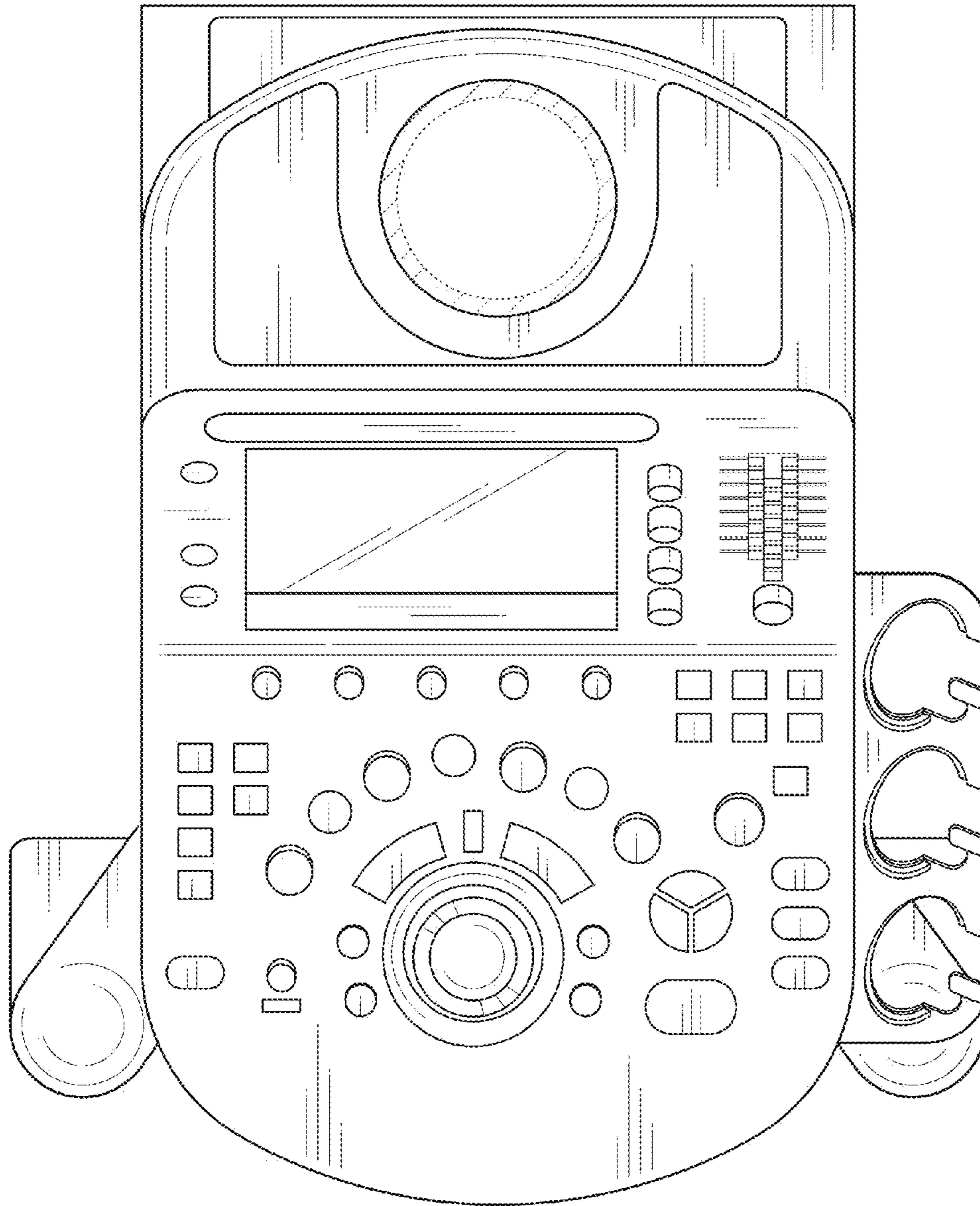


Fig. 10