

US00D716948S

(12) **United States Design Patent**
Yokoyama et al.

(10) **Patent No.:** **US D716,948 S**

(45) **Date of Patent:** **** Nov. 4, 2014**

(54) **X-RAY COMPUTED TOMOGRAPHY
SCANNER**

(71) Applicant: **Hitachi Medical Corporation**, Tokyo
(JP)

(72) Inventors: **Masaru Yokoyama**, Tokyo (JP); **Atsushi
Ninomiya**, Tokyo (JP); **Takayuki
Kanamori**, Tokyo (JP); **Hiroki
Sadamaru**, Tokyo (JP); **Shuhei
Murakami**, Tokyo (JP); **Tomomi
Kanokogi**, Tokyo (JP)

(73) Assignee: **Hitachi Medical Corporation**, Tokyo
(JP)

(**) Term: **14 Years**

(21) Appl. No.: **29/469,040**

(22) Filed: **Oct. 7, 2013**

(30) **Foreign Application Priority Data**

Apr. 23, 2013 (JP) 2013-009075

(51) **LOC (10) Cl.** **24-01**

(52) **U.S. Cl.**
USPC **D24/158**

(58) **Field of Classification Search**
CPC A61B 6/032; A61B 6/035
USPC D24/158-161, 185, 186; 378/4, 15, 17,
378/21, 23-27, 62, 68, 196-198; 600/410,
600/421, 422

See application file for complete search history.

(56) **References Cited**

U.S. PATENT DOCUMENTS

D564,096 S *	3/2008	Banryu	D24/158
D625,416 S *	10/2010	Kasai et al.	D24/158
D649,250 S *	11/2011	Ishihara et al.	D24/158
D683,023 S *	5/2013	Andersson et al.	D24/158
D683,025 S *	5/2013	Banryu	D24/158
D701,309 S *	3/2014	Ohmukai	D24/158
D703,321 S *	4/2014	Wodecki	D24/158

* cited by examiner

Primary Examiner — Anhdao Doan

(74) *Attorney, Agent, or Firm* — Antonelli, Terry, Stout & Kraus, LLP.

(57) **CLAIM**

We claim the ornamental design for a X-ray computed tomography scanner, as shown and described.

DESCRIPTION

FIG. 1 is a front, top and right side perspective view of an X-ray computed tomography scanner showing our new design;

FIG. 2 is a front elevational view thereof;

FIG. 3 is a rear elevational view thereof;

FIG. 4 is a left side elevational view thereof;

FIG. 5 is a right side elevational view thereof;

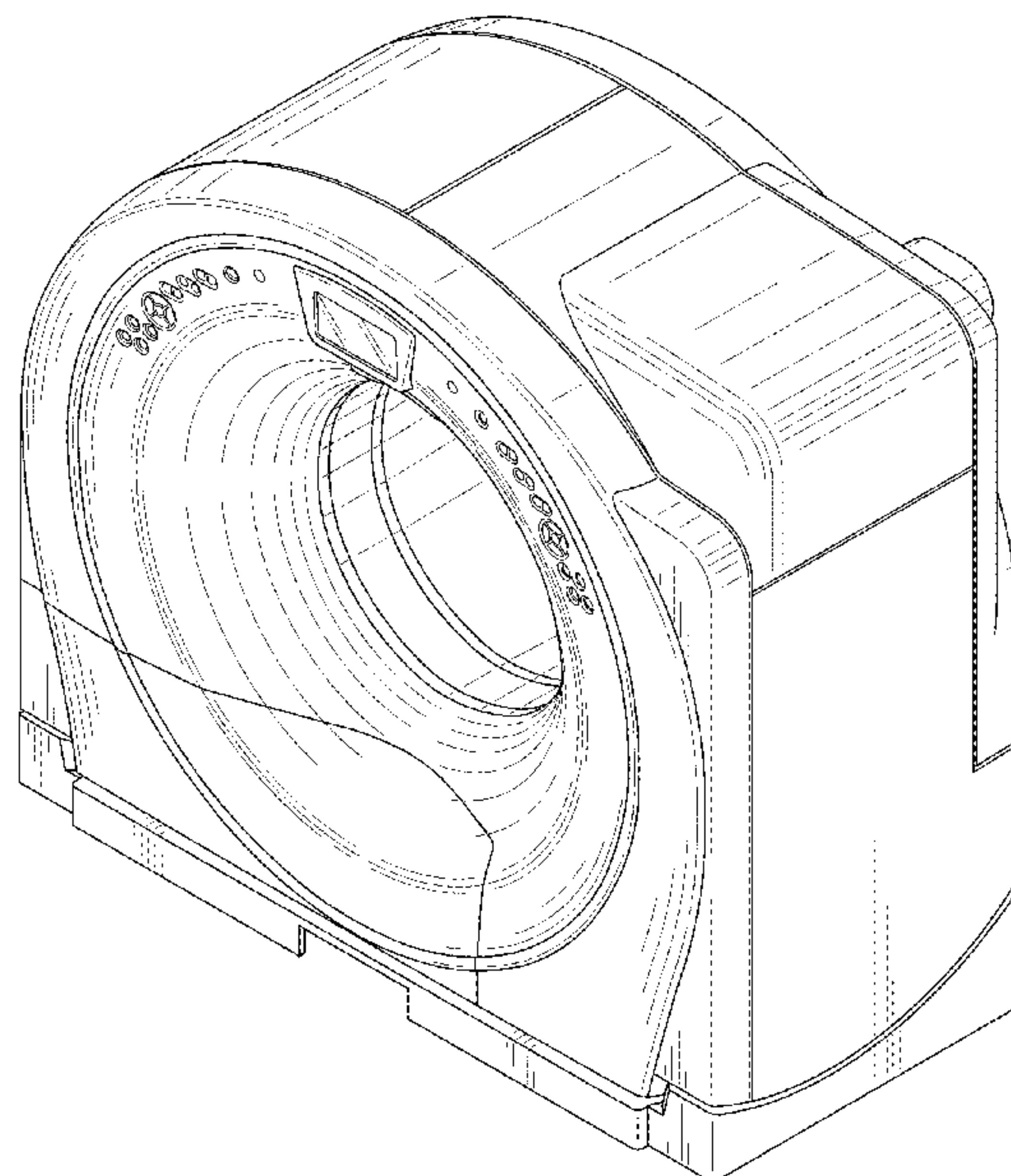
FIG. 6 is a top plan view thereof;

FIG. 7 is a bottom plan view thereof; and,

FIG. 8 is a cross-sectional view taken along the 8-8 Line indicated in the frontal side elevation view with the internal mechanical arrangements omitted thereof.

The portions of the X-ray computed tomography scanner, shown in broken lines form no part of the claimed design.

1 Claim, 6 Drawing Sheets



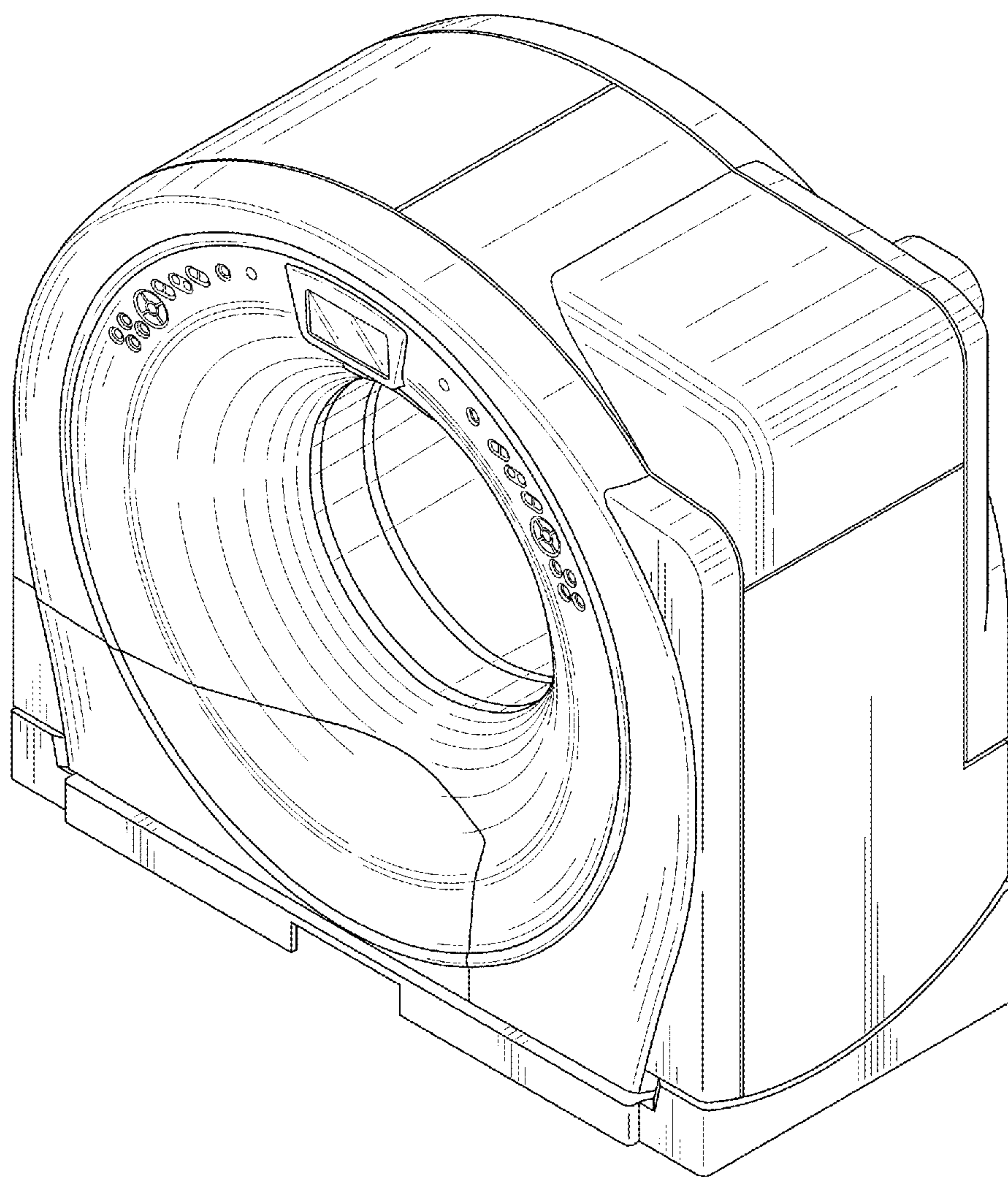
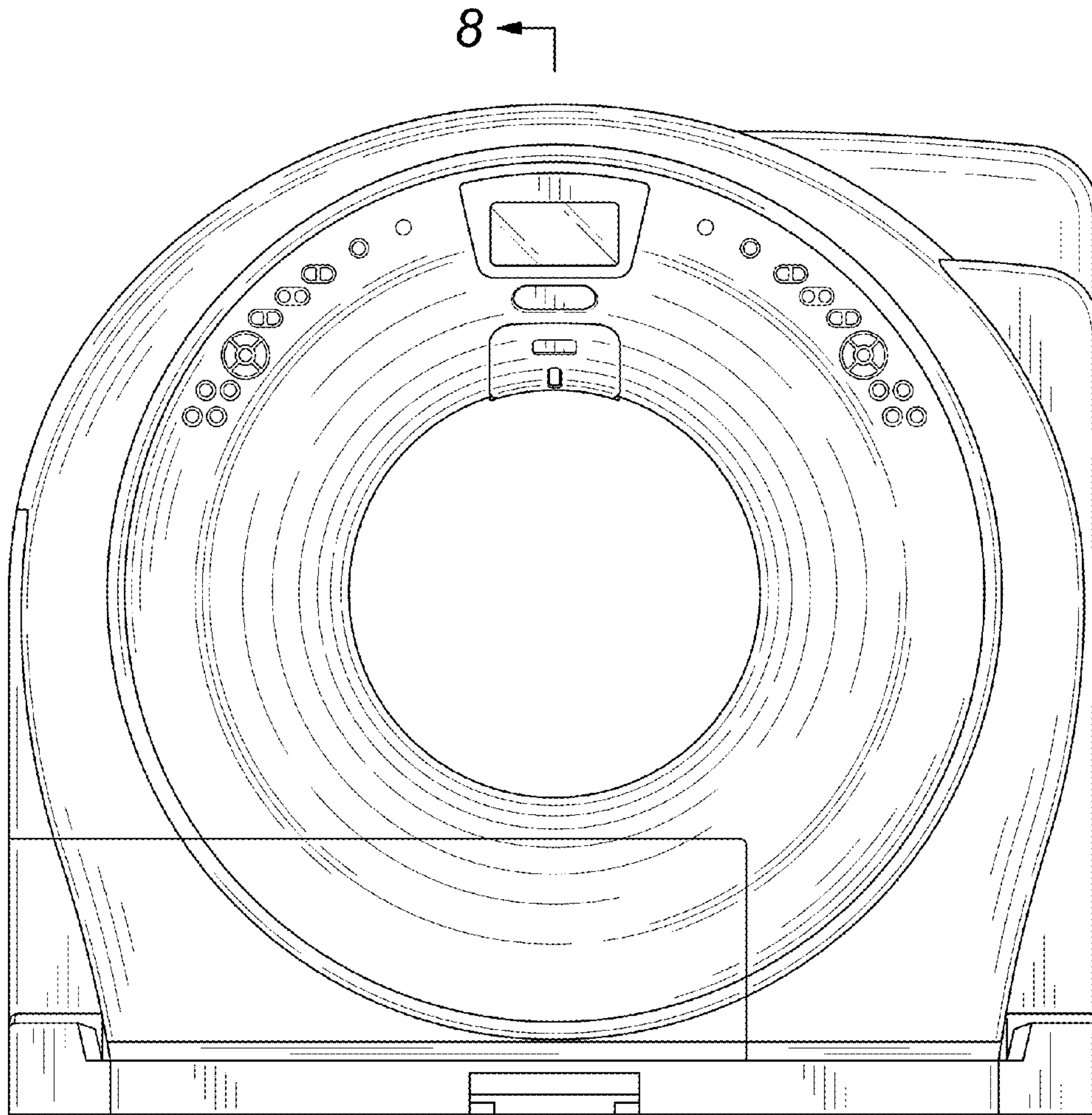


FIG. 1



8 ←

FIG. 2

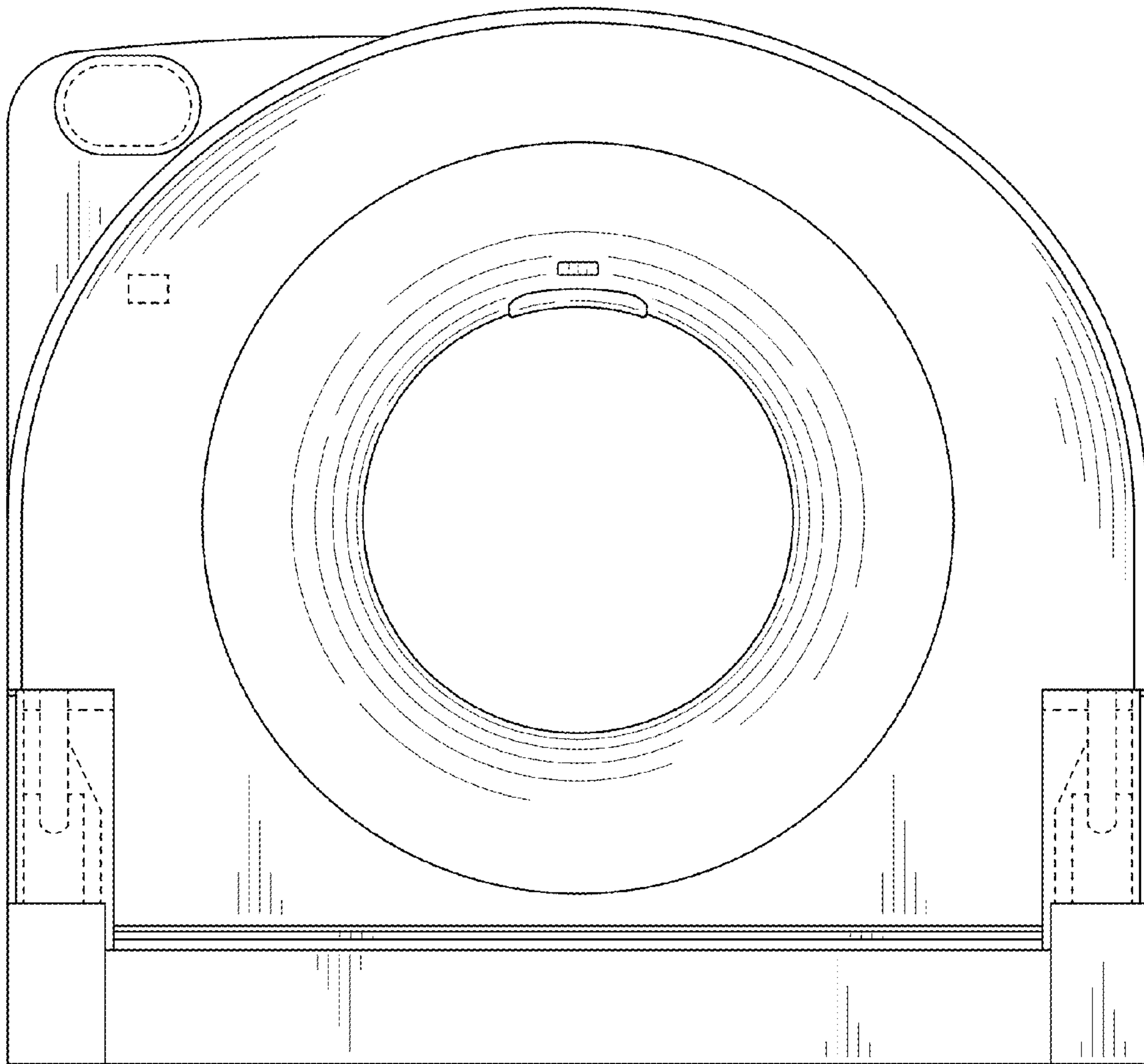


FIG. 3

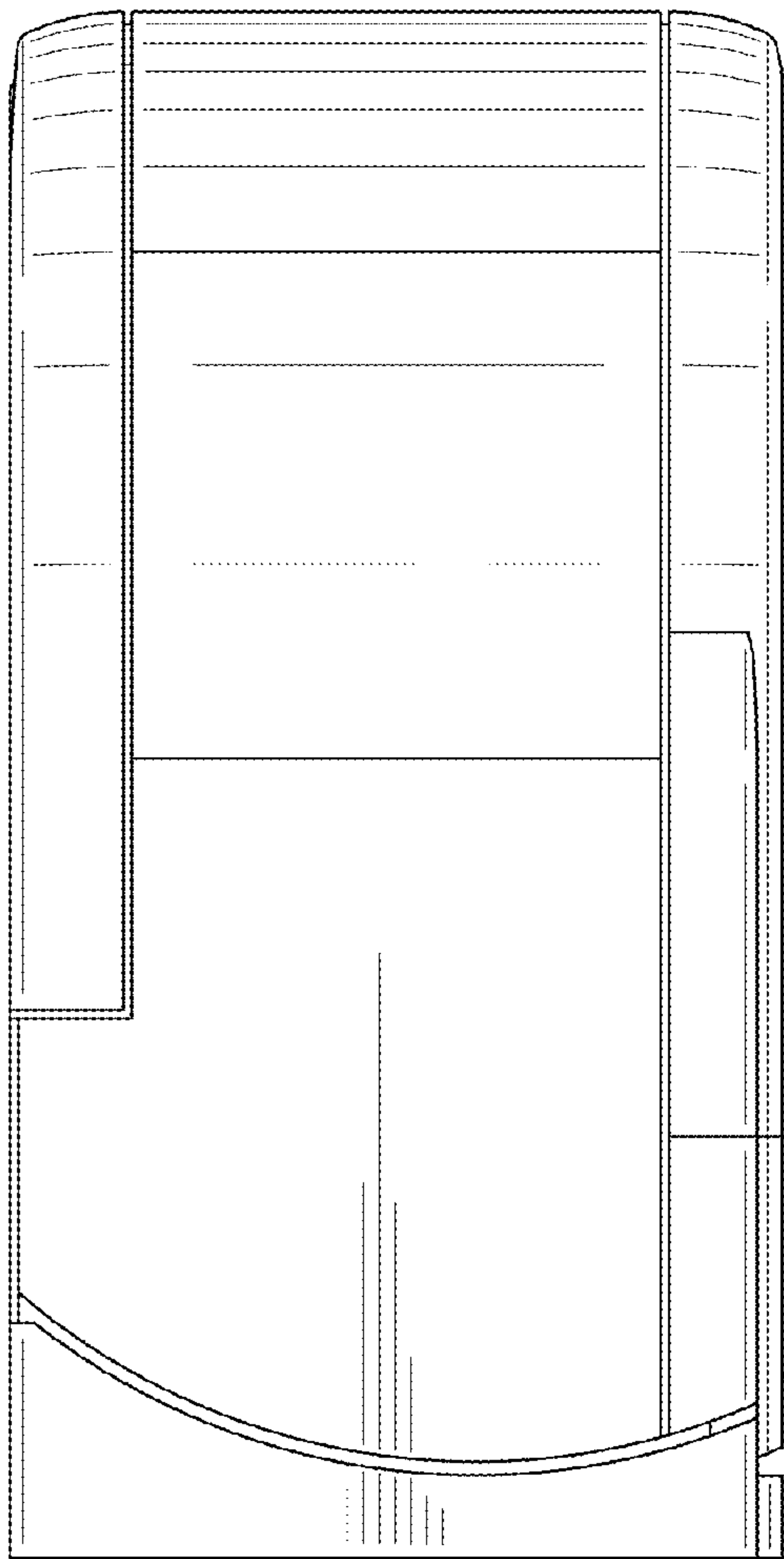


FIG. 4

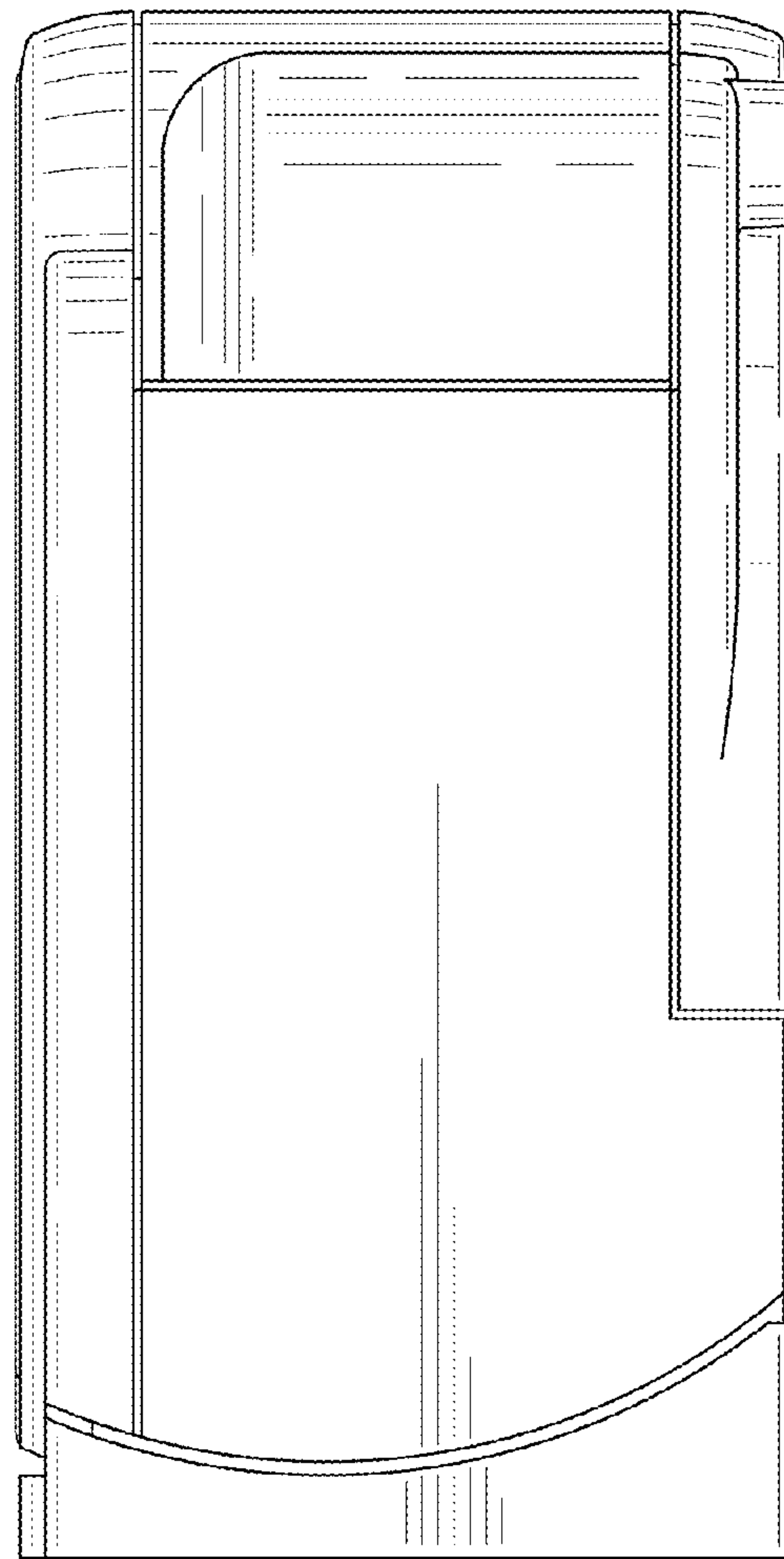


FIG. 5

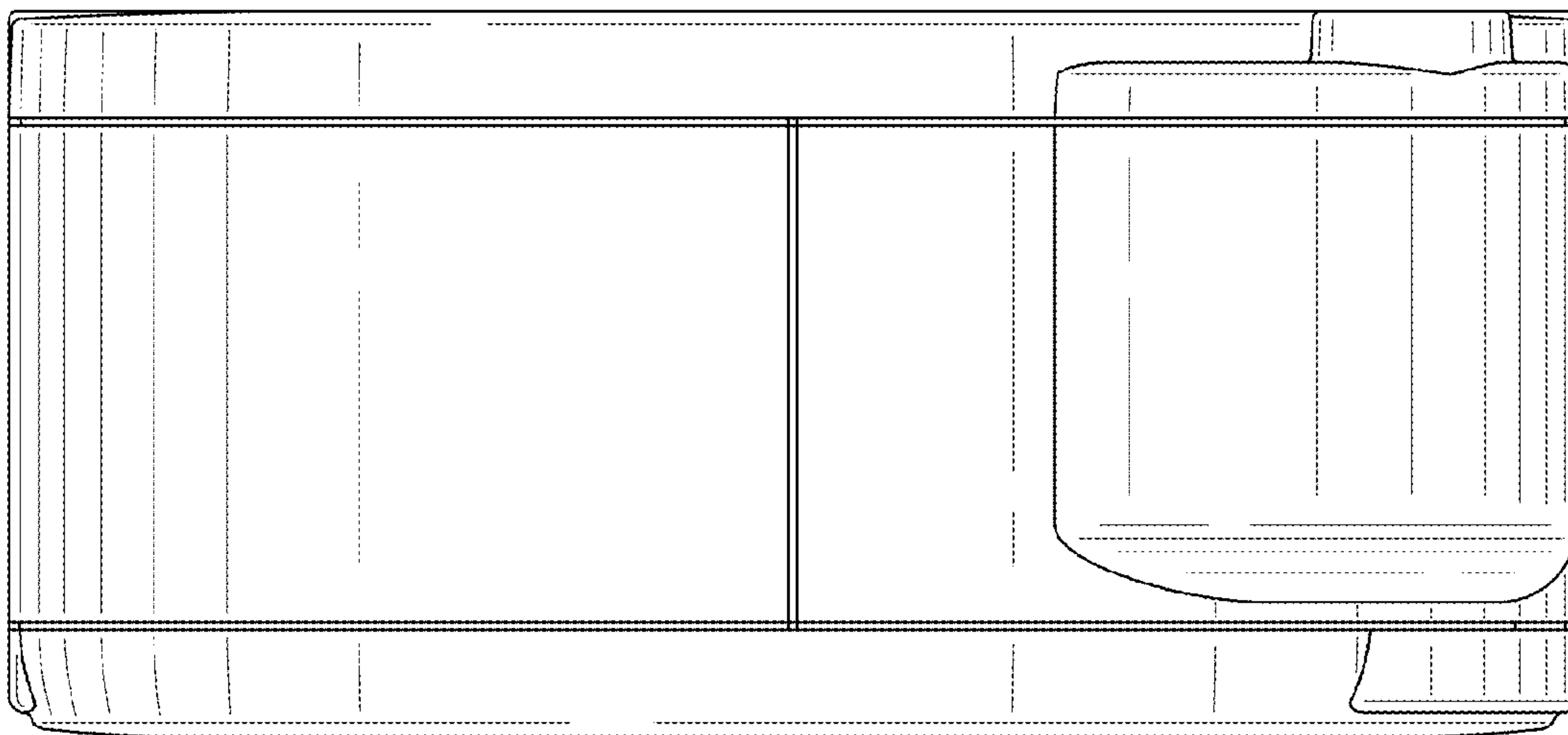


FIG. 6

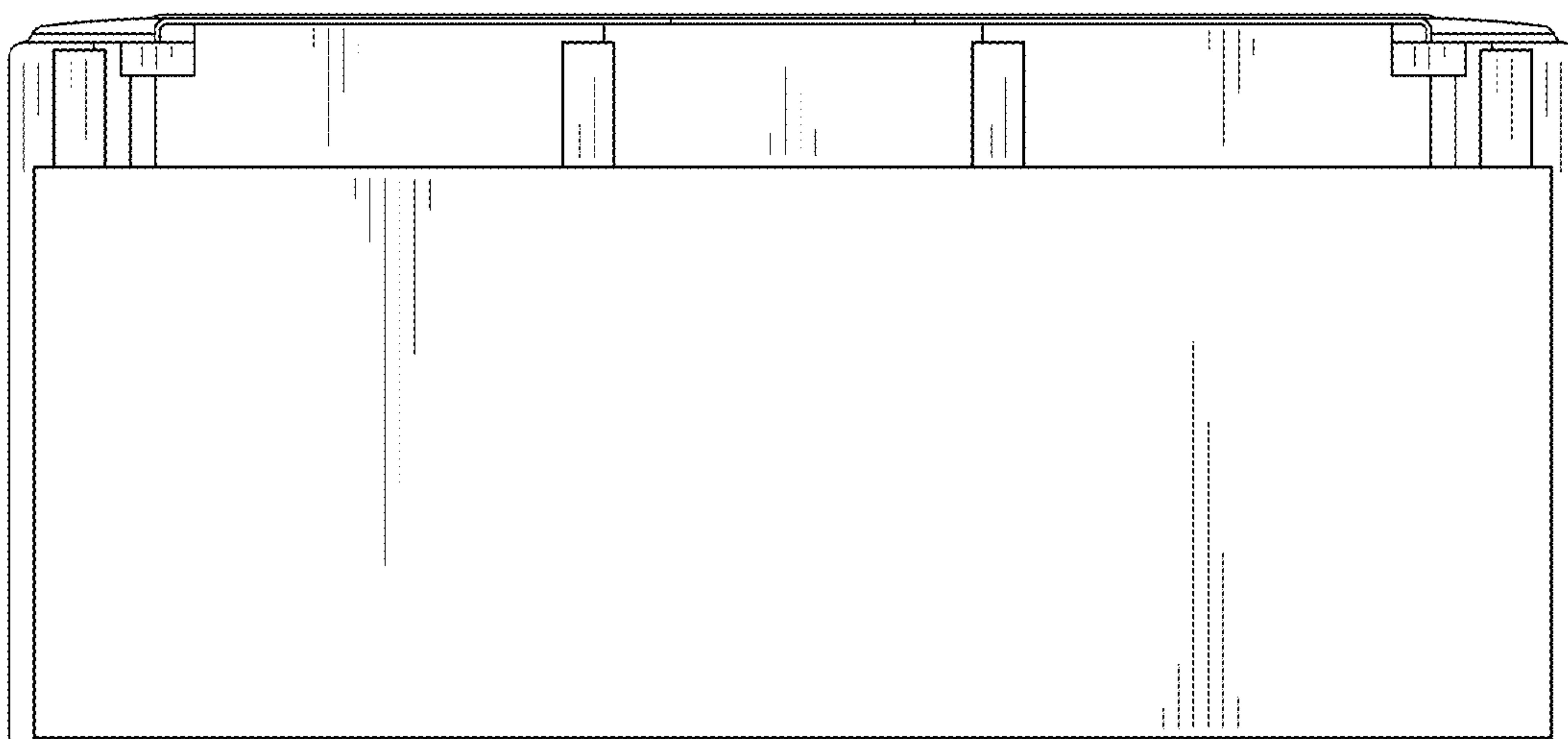


FIG. 7

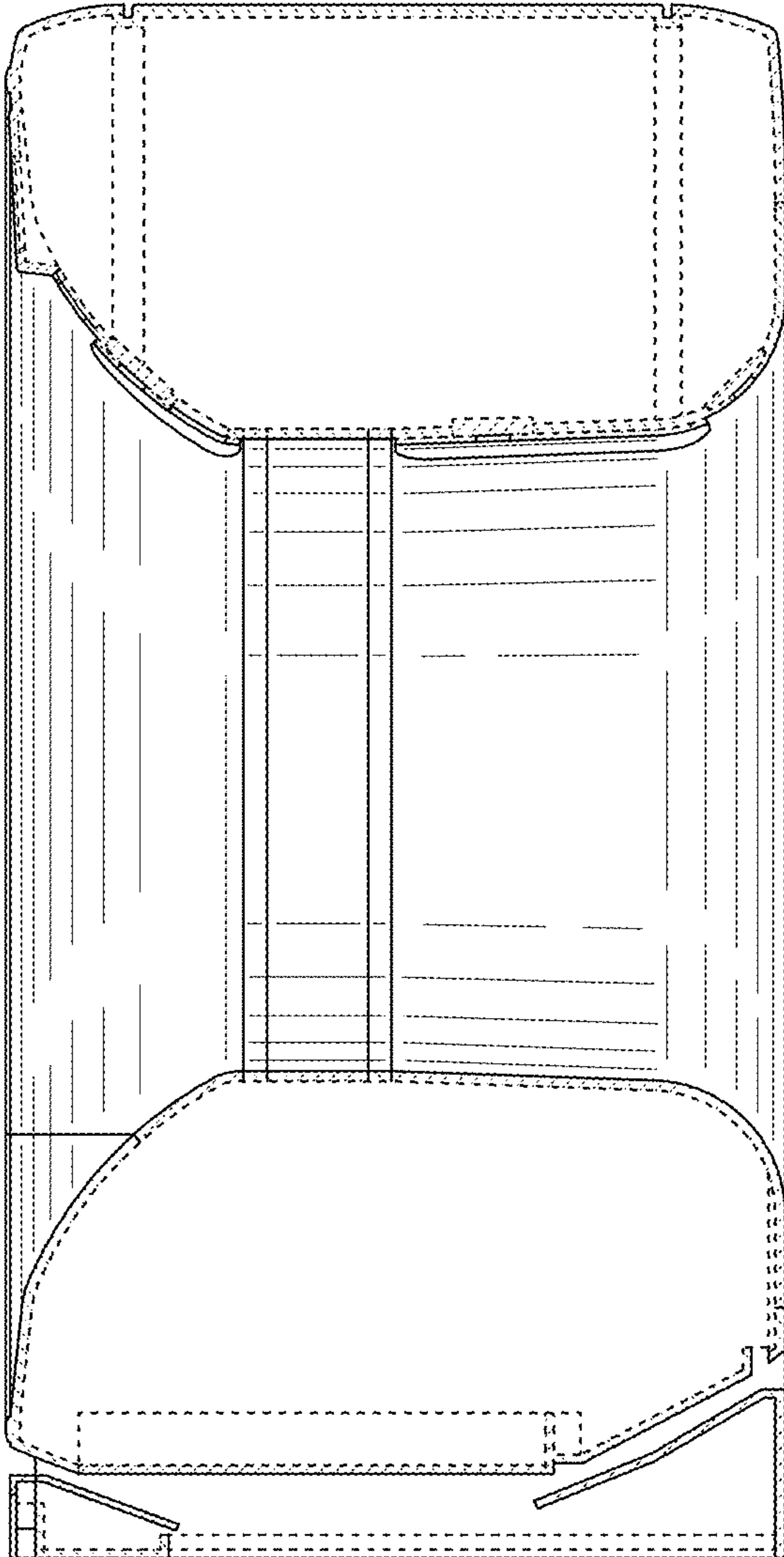


FIG. 8