



US00D716947S

(12) **United States Design Patent**
Ogura

(10) **Patent No.:** **US D716,947 S**

(45) **Date of Patent:** **** Nov. 4, 2014**

(54) **X-RAY DIGITAL IMAGING DEVICE**

(71) Applicant: **FUJIFILM Corporation**, Tokyo (JP)

(72) Inventor: **Ryosuke Ogura**, Ashigarakami-gun (JP)

(73) Assignee: **FUJIFILM Corporation**, Tokyo (JP)

(**) Term: **14 Years**

(21) Appl. No.: **29/462,729**

(22) Filed: **Aug. 7, 2013**

(30) **Foreign Application Priority Data**

Feb. 8, 2013 (JP) 2013-002504

(51) **LOC (10) Cl.** **24-01**

(52) **U.S. Cl.**
USPC **D24/158**

(58) **Field of Classification Search**
USPC D24/158-161, 186; 378/169, 171, 172;
250/370.09, 484.04, 582; D14/481,
D14/482, 435; D16/250
See application file for complete search history.

(56) **References Cited**

U.S. PATENT DOCUMENTS

5,990,487 A * 11/1999 Ngo 250/589
D450,848 S * 11/2001 Hayashi D24/158
D546,453 S * 7/2007 McNair, Jr. D24/161
7,381,964 B1 * 6/2008 Kump et al. 250/370.11

D601,254 S * 9/2009 Weichert D24/161
D611,149 S * 3/2010 Riley D24/158
7,852,985 B2 * 12/2010 Liu et al. 250/370.09
D659,249 S 5/2012 Ogura
D683,459 S * 5/2013 Haltof et al. D24/161

* cited by examiner

Primary Examiner — Anhdao Doan

(74) *Attorney, Agent, or Firm* — Sughrue Mion, PLLC

(57) **CLAIM**

The ornamental design for a x-ray digital imaging device, as shown and described.

DESCRIPTION

FIG. 1 is a top, front and side perspective view of an x-ray digital imaging device showing my new design;
FIG. 2 is a top, rear and side perspective view thereof;
FIG. 3 is a front elevational view thereof;
FIG. 4 is a rear elevational view thereof;
FIG. 5 is a top plan view thereof;
FIG. 6 is a right side elevational view thereof; and,
FIG. 7 is an enlarged partial cross-sectional view of a portion defined between arrowheads VII-VII of FIG. 3, in which internal structure thereof is omitted.

The portions of the x-ray digital imaging device in broken lines are shown for illustrative purposes only and form no part of the claimed design; the two-dot chain lines immediately adjacent the shaded areas represent the bounds of the claim.

1 Claim, 6 Drawing Sheets

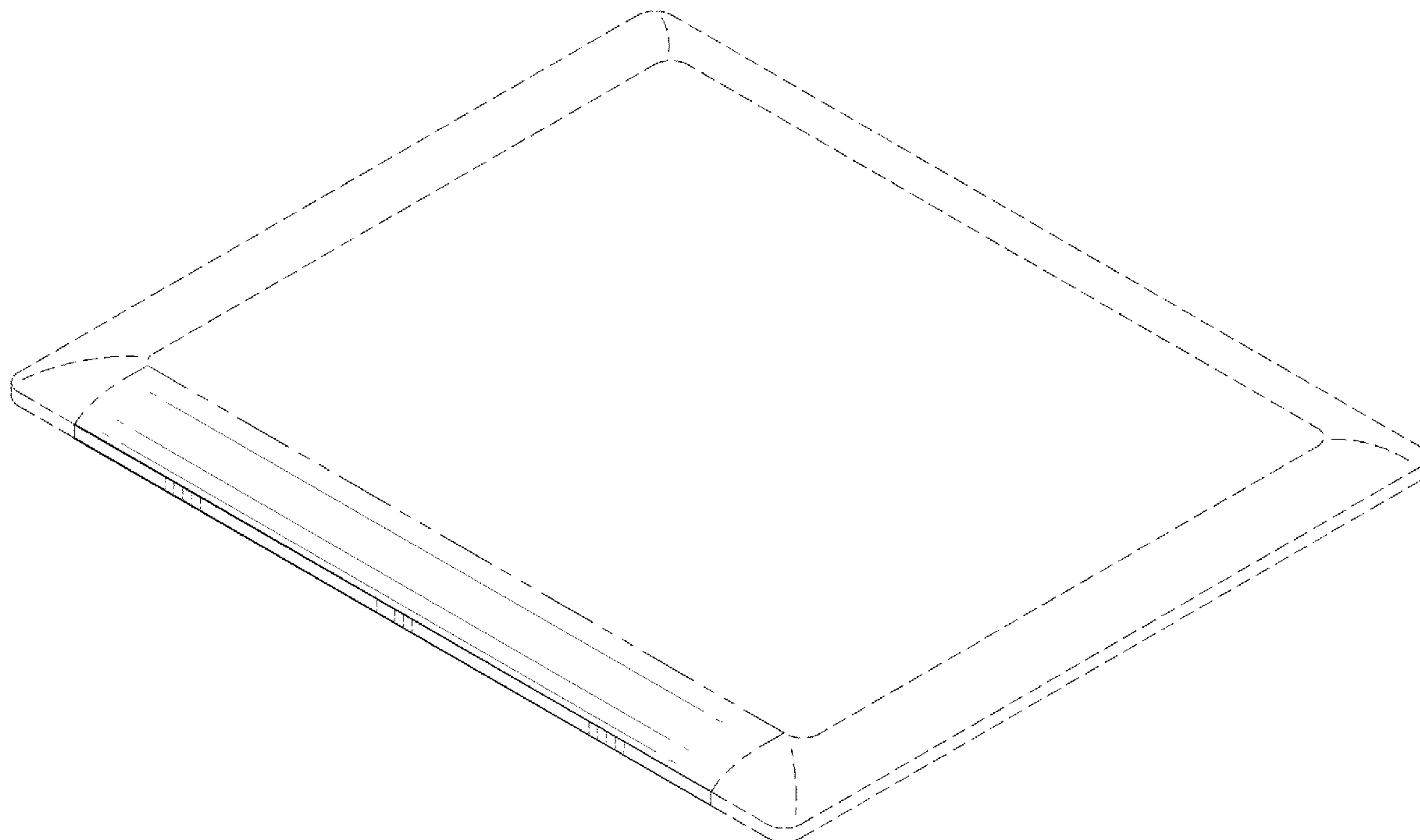


FIG. 1

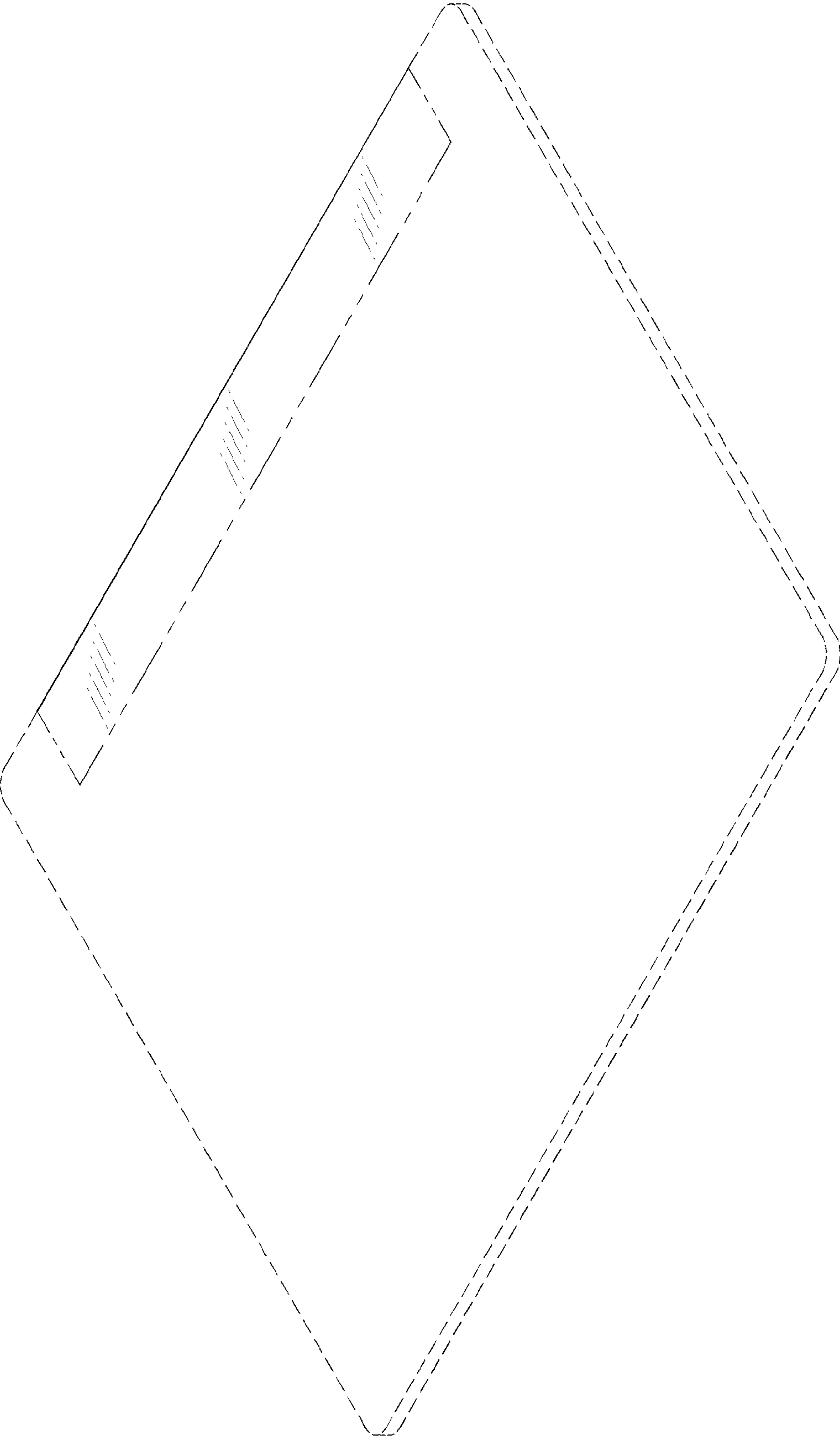


FIG.2

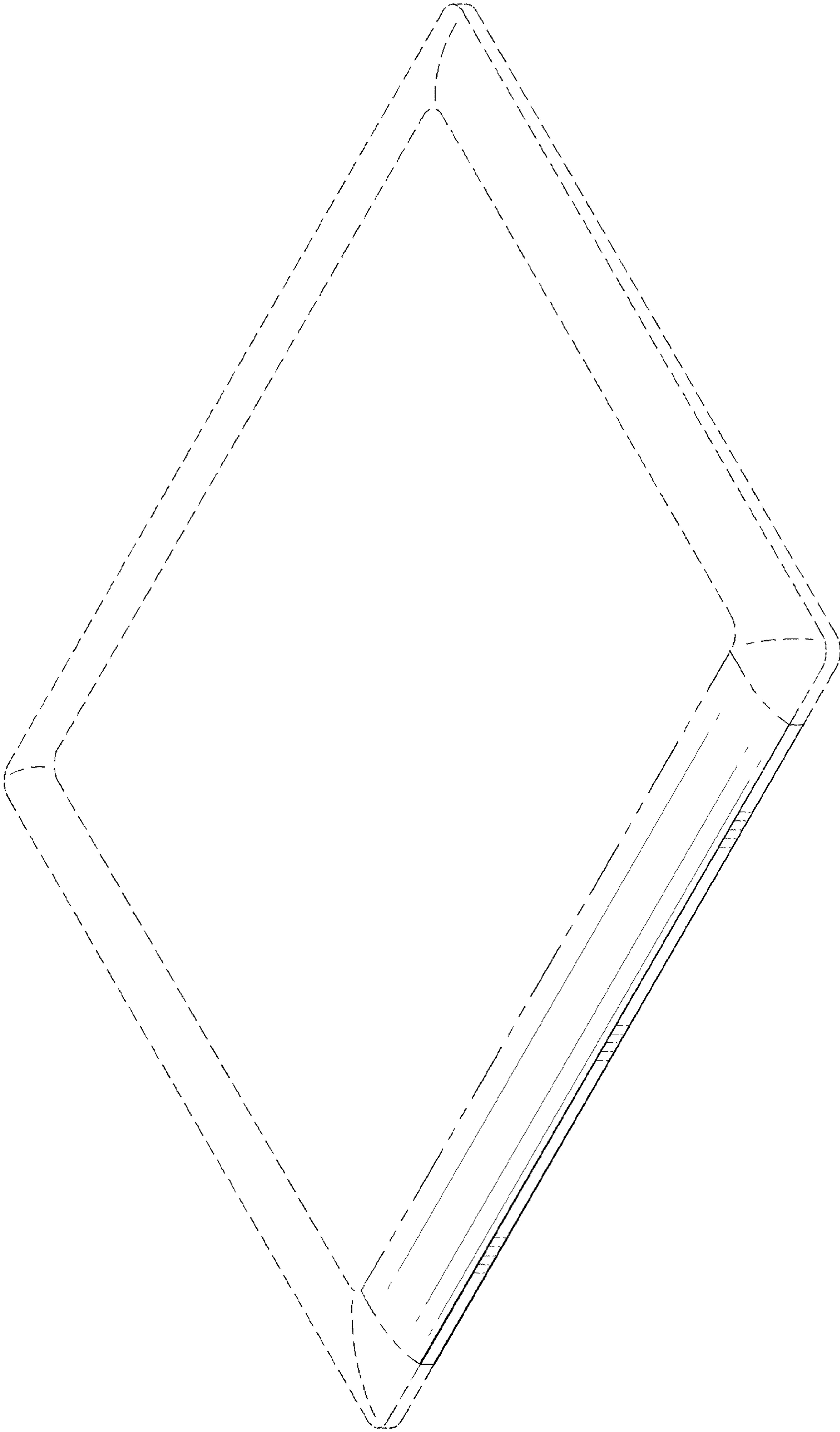


FIG.3

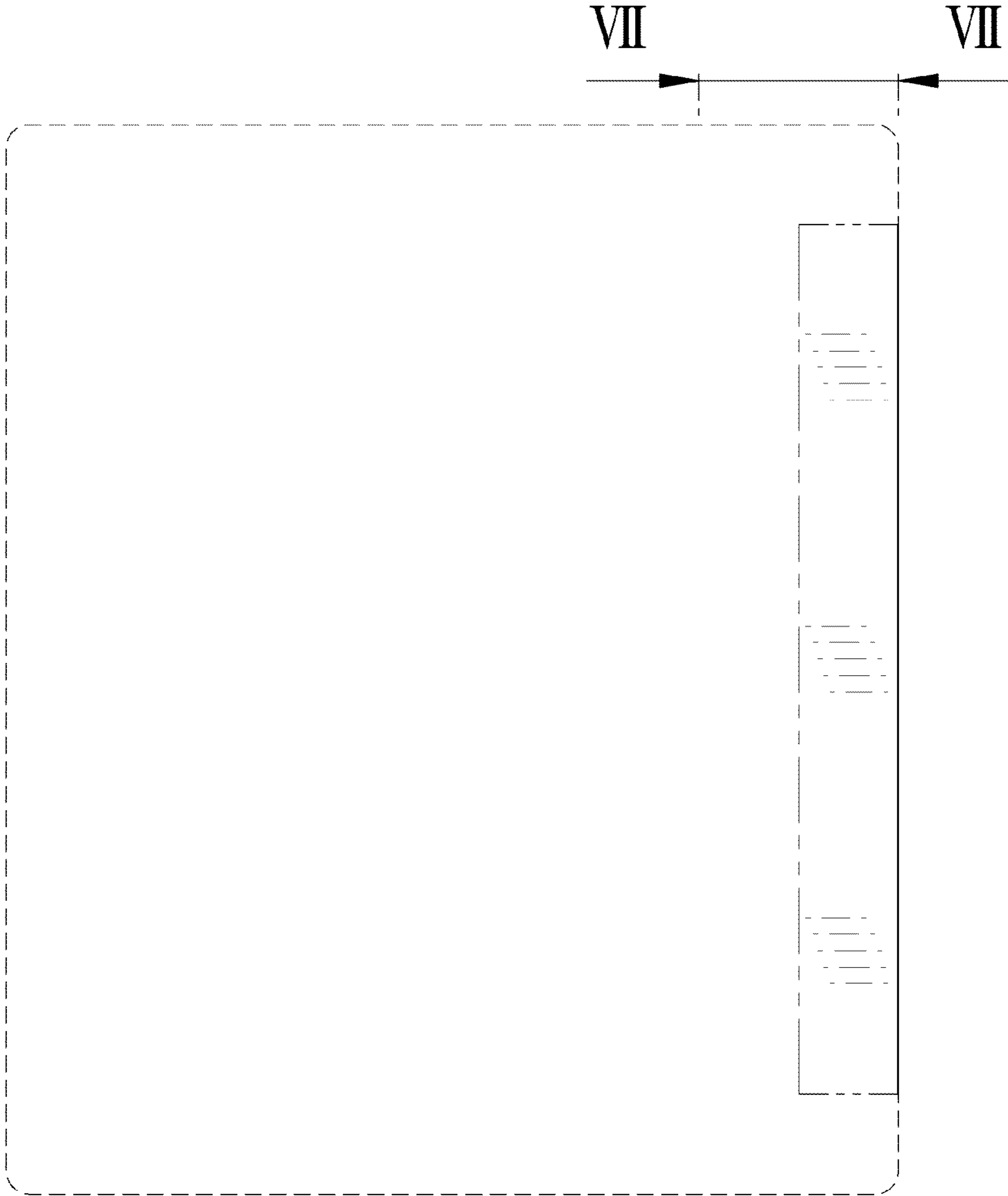


FIG.4

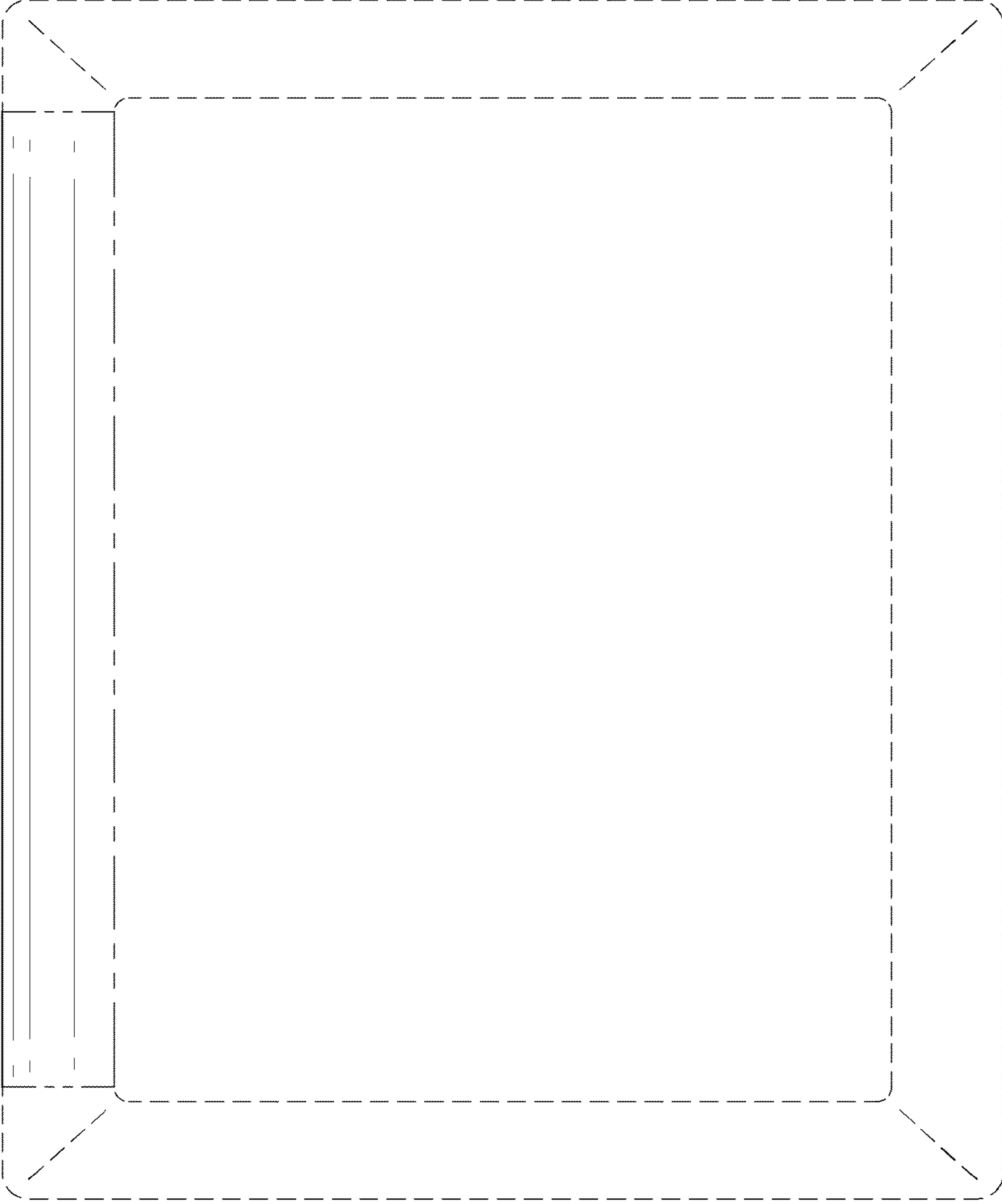


FIG.5

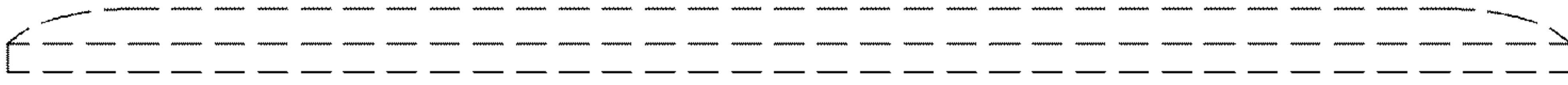


FIG.6

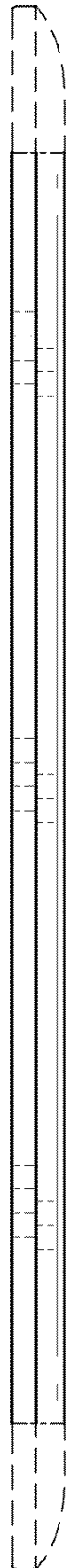


FIG. 7

