



US00D716946S

(12) **United States Design Patent**  
**Wilson**

(10) **Patent No.:** **US D716,946 S**  
(45) **Date of Patent:** **\*\* Nov. 4, 2014**

- (54) **DENTAL HANDPIECE**
  - (71) Applicant: **Young Dental Manufacturing I, LLC**,  
Earth City, MO (US)
  - (72) Inventor: **Matthew John Wilson**, Lake in the  
Hills, IL (US)
  - (\*\*) Term: **14 Years**
  - (21) Appl. No.: **29/445,364**
  - (22) Filed: **Feb. 11, 2013**
  - (51) **LOC (10) Cl.** ..... **24-02**
  - (52) **U.S. Cl.**  
USPC ..... **D24/152**; D19/199
  - (58) **Field of Classification Search**  
USPC ..... D24/133, 152, 156, 147, 176, 146;  
D8/80, 83, 94, 97, 107; D19/199, 174;  
D32/51; 81/177.1, 427.5, 489;  
433/2-3, 31, 82, 86, 114, 119, 126,  
433/141-143
- See application file for complete search history.

- D459,476 S 6/2002 Mangione
- 7,001,391 B2 2/2006 Estes et al.
- 7,011,661 B2 3/2006 Riedel et al.
- D531,310 S 10/2006 Wolter et al.
- D533,946 S 12/2006 Lintner et al.
- D545,901 S \* 7/2007 Cetera ..... D19/199
- D547,868 S 7/2007 Nakanishi
- D583,052 S 12/2008 Kagawa
- D583,868 S 12/2008 Peterson
- D585,987 S 2/2009 Aparici et al.
- D589,614 S 3/2009 Cook
- D597,668 S 8/2009 Woodruff et al.
- D631,629 S \* 1/2011 Libman et al. .... D32/51
- D641,469 S 7/2011 Ruiz, Sr. et al.

(Continued)

*Primary Examiner* — Wan Laymon  
(74) *Attorney, Agent, or Firm* — McDermott Will & Emery  
LLP

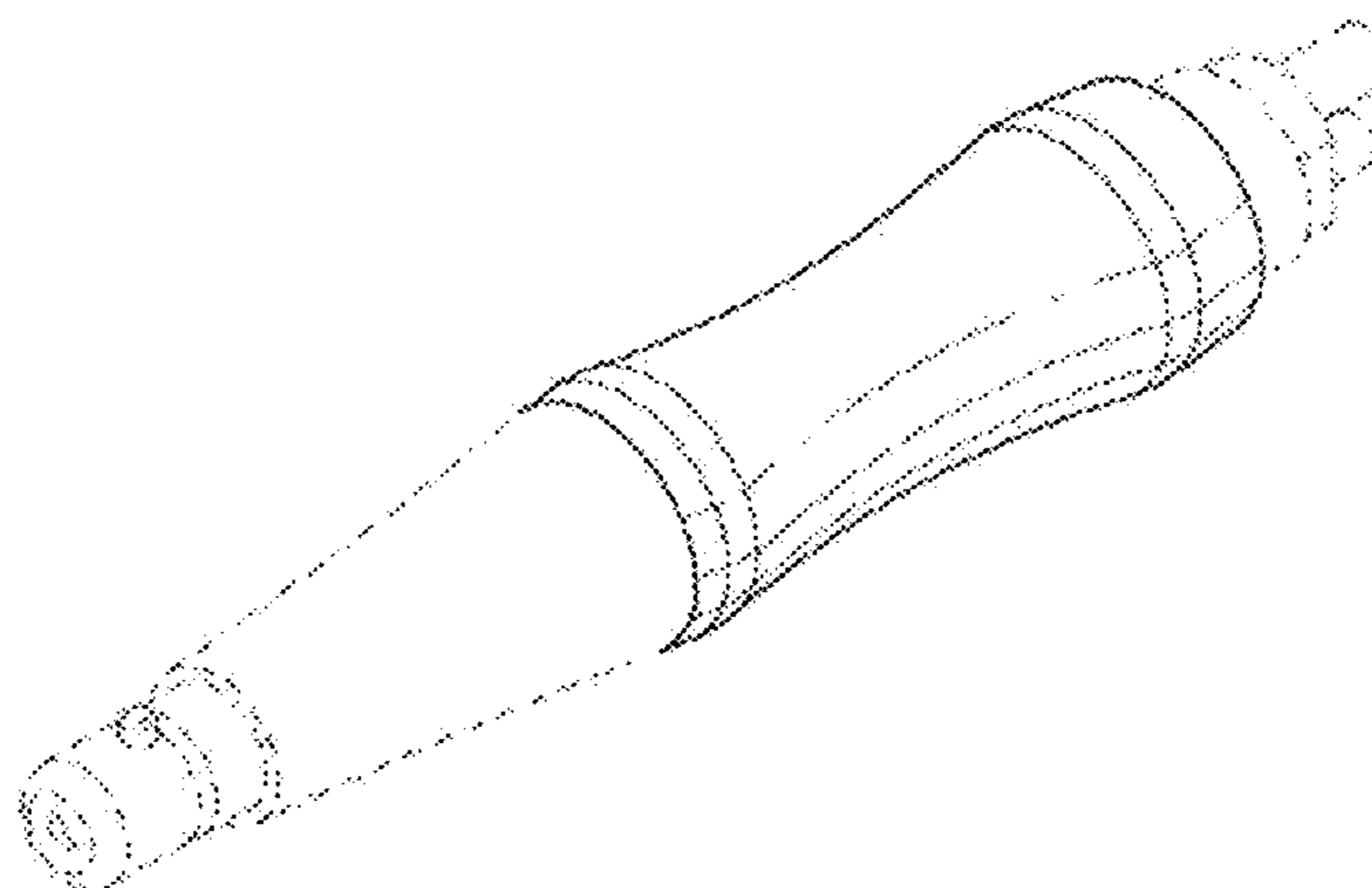
(57) **CLAIM**  
I claim the ornamental design for a dental handpiece, as  
shown and described.

**DESCRIPTION**

FIG. 1 is a perspective view of an dental handpiece according  
to the new design;  
FIG. 2 is a top view of the dental handpiece shown in FIG. 1;  
FIG. 3 is a right side view of the dental handpiece shown in  
FIG. 1;  
FIG. 4 is a bottom view of the dental handpiece shown in FIG.  
1;  
FIG. 5 is a front view of the dental handpiece shown in FIG.  
1;  
FIG. 6 is a rear view of the dental handpiece shown in FIG. 1;  
and,  
FIG. 7 is a left side view of the dental handpiece shown in  
FIG. 1.  
Features shown in broken lines in the drawings are not part of  
the claim.

**1 Claim, 2 Drawing Sheets**

- (56) **References Cited**
- U.S. PATENT DOCUMENTS
- 4,177,564 A 12/1979 Flatland
- D300,850 S 4/1989 Brewer
- 5,352,234 A 10/1994 Scott
- 5,505,737 A 4/1996 Gosselin
- D376,204 S 12/1996 Huculak et al.
- 5,857,851 A 1/1999 Chavanne
- D411,726 S 6/1999 Novak
- 5,967,779 A 10/1999 Brassil et al.
- D417,730 S 12/1999 Brassil et al.
- 6,106,287 A 8/2000 Yates
- D433,446 S \* 11/2000 Rosenbaum ..... D19/174
- 6,183,435 B1 2/2001 Bumbalough et al.
- D439,277 S \* 3/2001 Rosenbaum ..... D19/199
- D443,691 S 6/2001 Fischer et al.
- D455,210 S 4/2002 Henderson et al.
- 6,390,816 B2 5/2002 Ito et al.



(56)

**References Cited**

U.S. PATENT DOCUMENTS

2002/0151902 A1 10/2002 Riedel et al.  
2002/0165549 A1 11/2002 Owusu-Akyaw et al.  
2003/0023256 A1 1/2003 Estes et al.  
2003/0163134 A1 8/2003 Reidel et al.

2004/0122460 A1 6/2004 Shores et al.  
2005/0116578 A1 6/2005 Fleury et al.  
2006/0269893 A1 11/2006 Aloise et al.  
2007/0244425 A1 10/2007 Pond  
2008/0003537 A1 1/2008 Papanek  
2008/0070189 A1 3/2008 Turner  
2009/0269717 A1 10/2009 Papanek et al.

\* cited by examiner

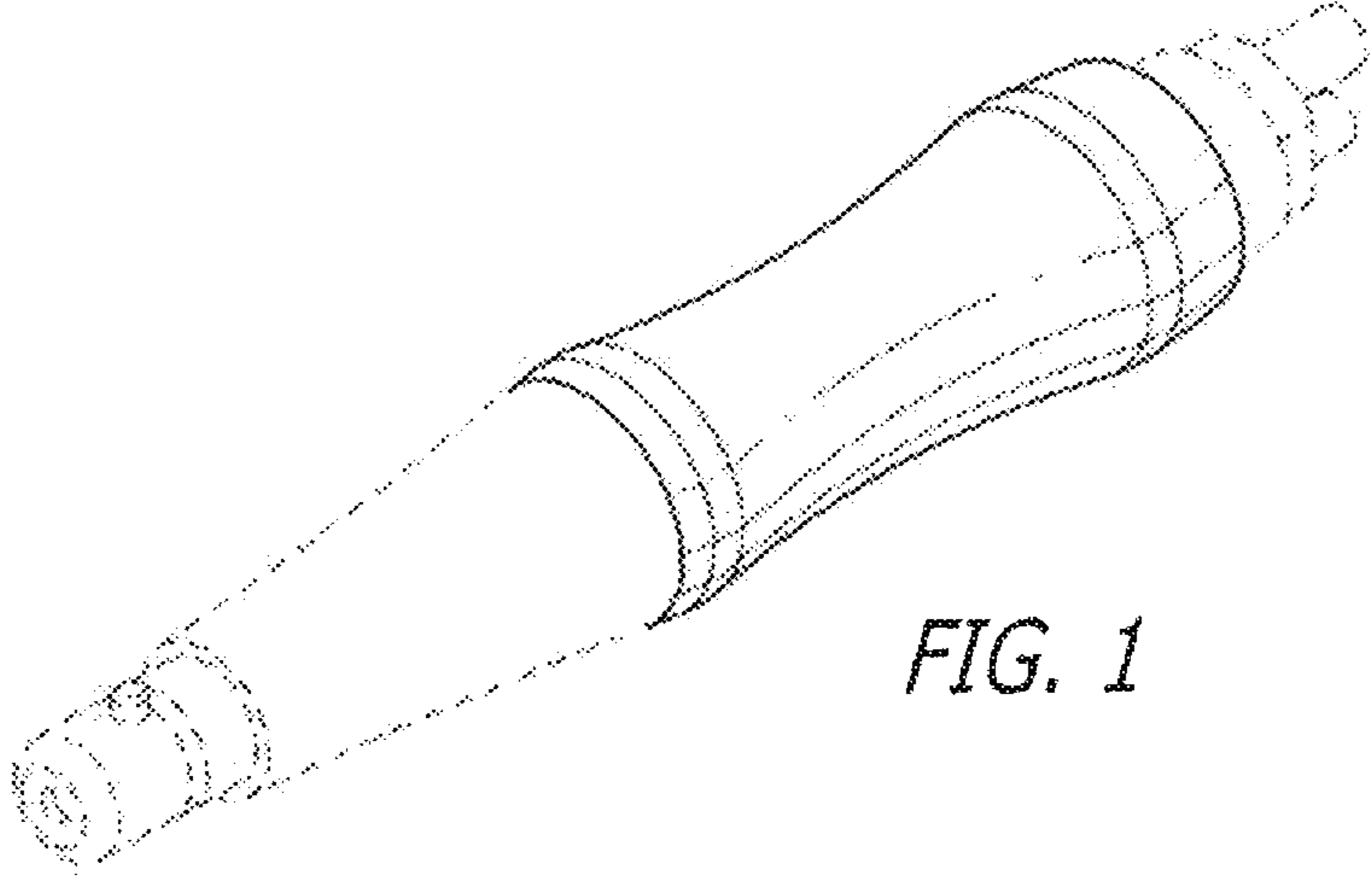


FIG. 1

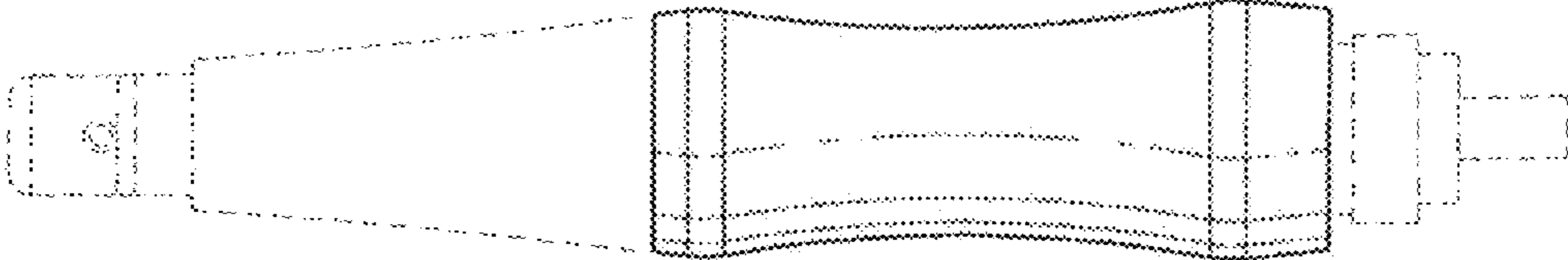


FIG. 2



FIG. 3

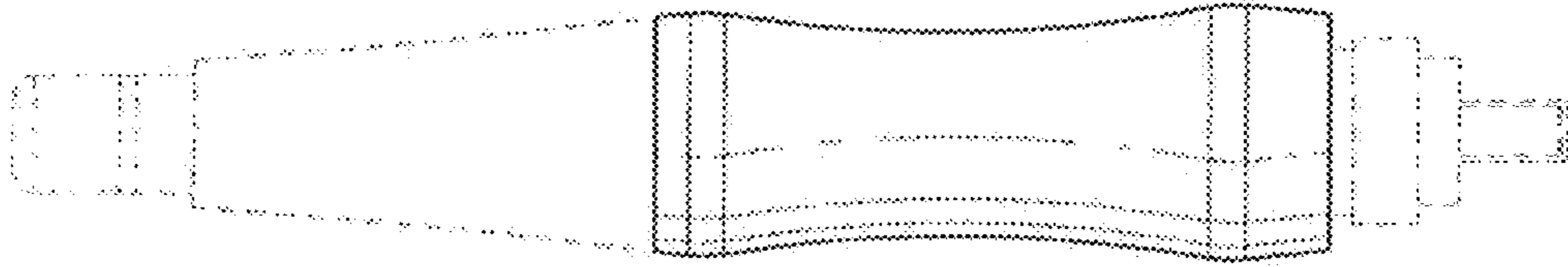


FIG. 4

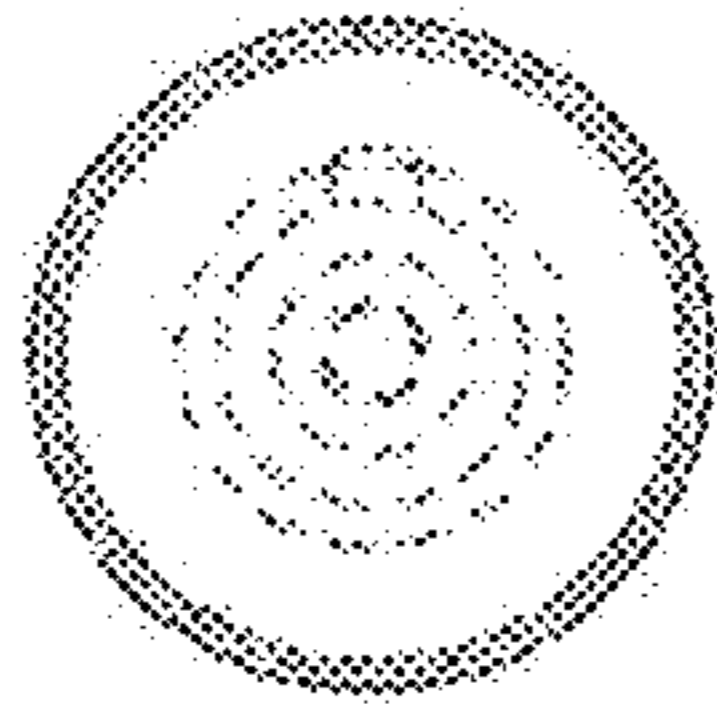


FIG. 5

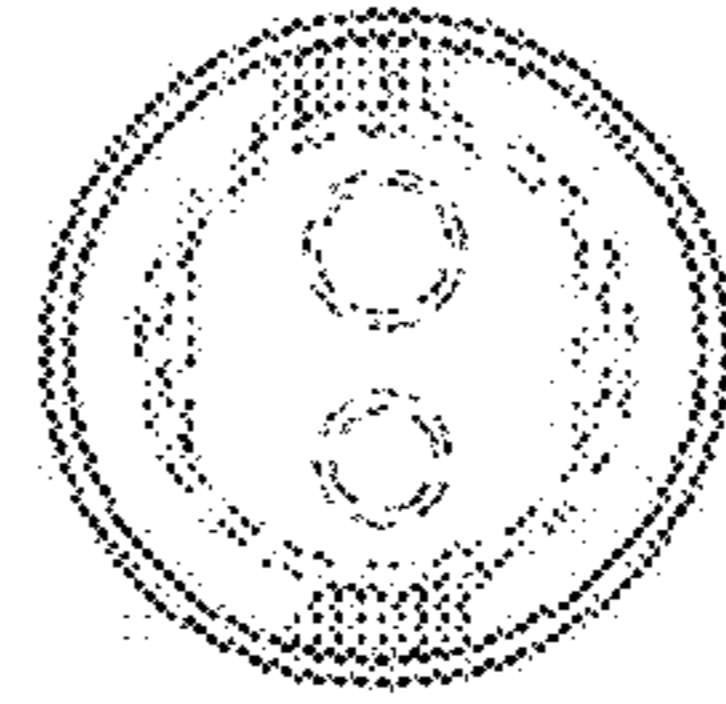


FIG. 6

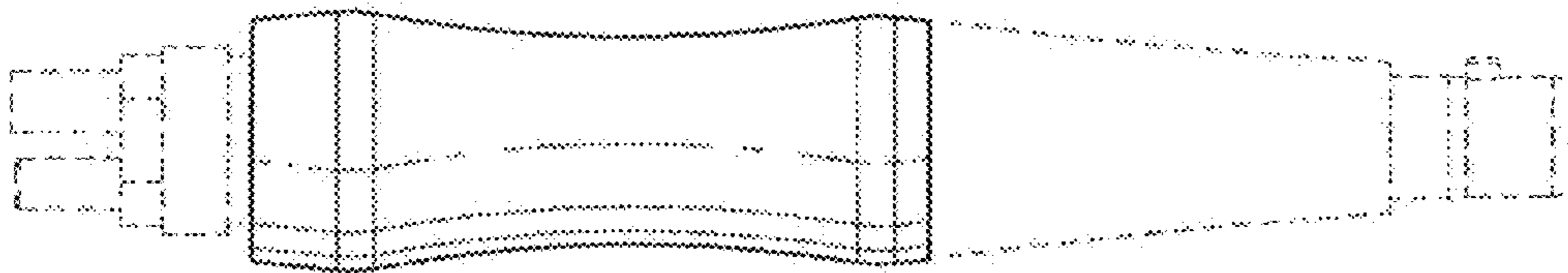


FIG. 7