



US00D716944S

(12) **United States Design Patent**
Fisher et al.

(10) **Patent No.:** **US D716,944 S**
(45) **Date of Patent:** **** Nov. 4, 2014**

- (54) **SURGICAL SAW BLADE HUB**
- (75) Inventors: **Michael Fisher**, Reno, NV (US);
Barjinder Chana, Reno, NV (US)
- (73) Assignee: **Synvasive Technology, Inc.**, Reno, NV (US)
- (**) Term: **14 Years**
- (21) Appl. No.: **29/398,735**
- (22) Filed: **Aug. 3, 2011**
- (51) **LOC (10) Cl.** **24-02**
- (52) **U.S. Cl.**
USPC **D24/146**
- (58) **Field of Classification Search**
USPC D24/146, 147; 606/167, 176-178, 79,
606/82; D8/20, 26, 64, 95-97, 70, 98, 99;
30/338, 339, 392, 43.91, 43.92, 43.8,
30/43.7, 166.3, 165, 371, 373
See application file for complete search history.

4,386,609 A	6/1983	Mongeon	
4,461,296 A	7/1984	Hodge	
4,513,742 A	4/1985	Arnegger	
4,584,999 A	4/1986	Arnegger	
4,617,930 A *	10/1986	Saunders 606/82
4,628,717 A	12/1986	Blum	
4,637,391 A	1/1987	Schlein	
4,872,452 A	10/1989	Alexson	
4,934,056 A	6/1990	Leini	
5,002,555 A	3/1991	Petersen	
D323,278 S	1/1992	Zwick	
5,122,142 A	6/1992	Pascaloff	
5,135,533 A *	8/1992	Petersen et al. 606/176
5,178,626 A	1/1993	Pappas	
5,217,150 A	6/1993	Chen	
D337,160 S	7/1993	Evans	
5,263,972 A	11/1993	Evans et al.	
5,265,343 A	11/1993	Pascaloff	
D343,247 S	1/1994	Walen	
5,284,244 A	2/1994	O-Toole	
D346,318 S	4/1994	Evans	

(Continued)

Primary Examiner — Ian Simmons
Assistant Examiner — Carissa C Fitts
(74) *Attorney, Agent, or Firm* — Seager, Tufte & Wickem, LLC

(56) **References Cited**
U.S. PATENT DOCUMENTS

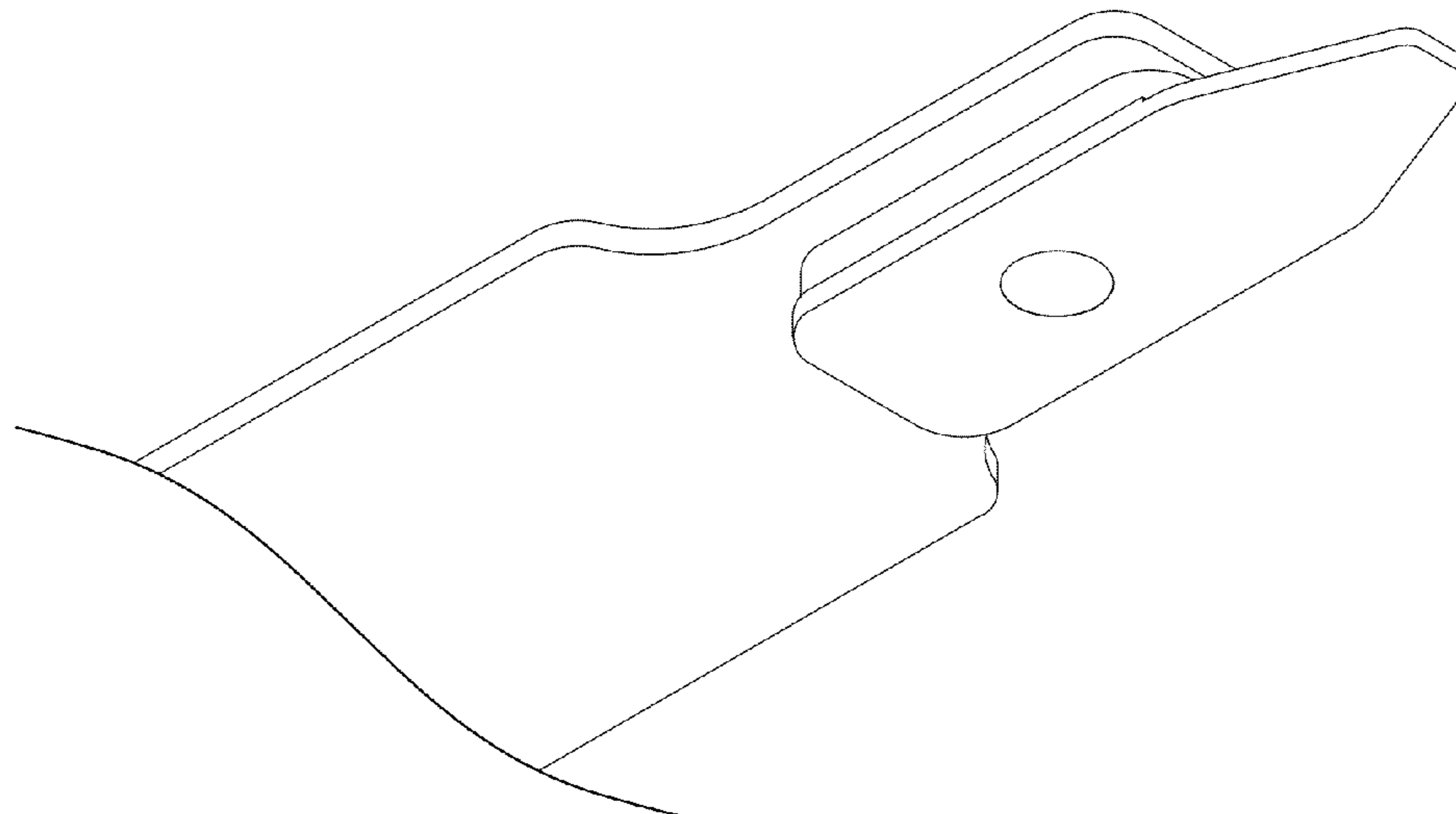
D3,994 S	4/1870	Moore	
D4,255 S	7/1870	Rhodes	
D4,497 S	11/1870	Rhodes	
D4,706 S	3/1871	Kidd	
D5,226 S	8/1871	Miller	
D170,202 S *	8/1953	Knapp D8/95
D187,633 S *	4/1960	Bower D8/97
D188,173 S *	6/1960	Ehrsam D8/95
3,016,932 A	1/1962	Jacobson	
D206,369 S *	11/1966	Knapp D8/95
3,899,828 A	8/1975	Bosco	
3,905,374 A	9/1975	Winter	
3,943,934 A	3/1976	Bent	
4,106,181 A	8/1978	Mattchen	
4,269,311 A	5/1981	Rich	
D263,879 S	4/1982	Mann	

(57) **CLAIM**
The ornamental design for a surgical saw blade hub, as shown and described.

DESCRIPTION

FIG. 1 is a bottom perspective view of a surgical saw blade hub showing our new design; FIG. 2 is a bottom view thereof; and, FIG. 3 is a side view thereof. The broken line showing is for environmental purposes only and forms no part of the claimed design. The break lines applied to the drawings represent no particular length and form no part of the claimed design.

1 Claim, 3 Drawing Sheets



(56)

References Cited

U.S. PATENT DOCUMENTS

5,306,285 A	4/1994	Miller			
D348,194 S	6/1994	Tanis			
D351,907 S	10/1994	Matthai et al.			
5,382,249 A	1/1995	Fletcher			
5,392,910 A	2/1995	Bell et al.			
5,403,318 A	4/1995	Boehringer et al.			
D360,946 S	8/1995	Goris			
5,439,472 A	8/1995	Evans et al.			
D362,065 S	9/1995	Goris			
5,453,043 A	9/1995	Monson			
5,489,285 A	2/1996	Gorgis			
5,496,316 A	3/1996	Gorgis			
5,507,763 A	4/1996	Peterson et al.			
5,554,165 A	9/1996	Raitt et al.			
D385,163 S	10/1997	Hutchins et al.			
D385,164 S	10/1997	Hutchins et al.			
5,681,314 A	10/1997	Derouin et al.			
5,694,693 A	12/1997	Hutchins			
5,725,530 A	3/1998	Popken			
5,735,866 A	4/1998	Adams et al.			
D394,315 S	5/1998	Fisher			
D402,516 S	12/1998	Okada			
D404,485 S	1/1999	Hutchins et al.			
D405,177 S	2/1999	Hutchins et al.			
5,916,218 A	6/1999	Hagen et al.			
6,007,541 A	12/1999	Scott			
6,063,083 A	5/2000	Duong-Van			
D448,634 S	10/2001	Hickman			
D455,490 S	4/2002	Pascaloff			
6,363,614 B1	4/2002	Umstead et al.			
D459,805 S	7/2002	Pascaloff			
6,503,253 B1	1/2003	Fletcher et al.			
D470,739 S	2/2003	Chen			
D481,129 S	10/2003	DiCesare et al.			
6,647,629 B2	11/2003	Farland			
6,701,628 B2	3/2004	Mang			
D489,823 S	5/2004	Fisher et al.			
6,770,071 B2	8/2004	Woloszko et al.			
6,775,912 B2	8/2004	Panfili et al.			
6,857,192 B1	2/2005	Summers et al.			
6,896,679 B2 *	5/2005	Danger et al.	606/82		
7,017,271 B1	3/2006	Parsons et al.			
7,060,072 B2	6/2006	Wolff et al.			
D525,707 S	7/2006	Kullmer et al.			
D536,791 S	2/2007	Eskridge et al.			
7,243,791 B2	7/2007	Detruit et al.			
D552,239 S	10/2007	Wolf			
D554,256 S	10/2007	Eskridge et al.			
7,306,366 B1	12/2007	Camenzind et al.			
7,322,985 B2	1/2008	Lee			
D576,729 S	9/2008	Tanaka et al.			
D578,848 S	10/2008	Camacho			
7,475,776 B2	1/2009	Detruit et al.			
D586,633 S	2/2009	Taylor et al.			
7,527,628 B2	5/2009	Fletcher et al.			
D603,231 S	11/2009	Fisher et al.			
D622,383 S	8/2010	Fisher et al.			
D622,384 S	8/2010	Fisher et al.			
D622,385 S	8/2010	Fisher et al.			
D622,386 S	8/2010	Fisher et al.			
D622,848 S	8/2010	Fisher et al.			
D622,849 S	8/2010	Fisher et al.			
D622,850 S	8/2010	Fisher et al.			
D627,884 S	11/2010	Fisher et al.			
D629,900 S	12/2010	Fisher			
7,901,424 B2	3/2011	Fletcher et al.			
D642,264 S	7/2011	Fisher et al.			
D651,499 S *	1/2012	Tong	D8/70		
D654,167 S	2/2012	Fisher et al.			
D654,590 S	2/2012	Fisher et al.			
D661,805 S *	6/2012	Detry	D24/146		
D665,908 S *	8/2012	Detry	D24/146		
D680,831 S *	4/2013	Zhang	D8/20		
D682,652 S *	5/2013	McRoberts et al.	D8/70		
8,444,647 B2 *	5/2013	Walen et al.	606/82		
D687,275 S *	8/2013	Neitzell	D8/20		
D693,193 S *	11/2013	Bozic	D8/20		
D694,077 S *	11/2013	Bozic	D8/20		
D695,083 S *	12/2013	Neitzell et al.	D8/20		
2003/0014067 A1	1/2003	Kullmer et al.			
2003/0200619 A1	10/2003	Kelsey et al.			
2004/0199167 A1	10/2004	Fletcher et al.			
2005/0245935 A1 *	11/2005	Casey et al.	606/82		
2007/0169353 A1	7/2007	Wu			
2009/0093814 A1 *	4/2009	Fletcher et al.	606/82		
2009/0093815 A1 *	4/2009	Fletcher et al.	606/82		
2011/0277611 A1 *	11/2011	Chen et al.	83/699.51		
2011/0316242 A1 *	12/2011	Zhang et al.	279/143		

* cited by examiner

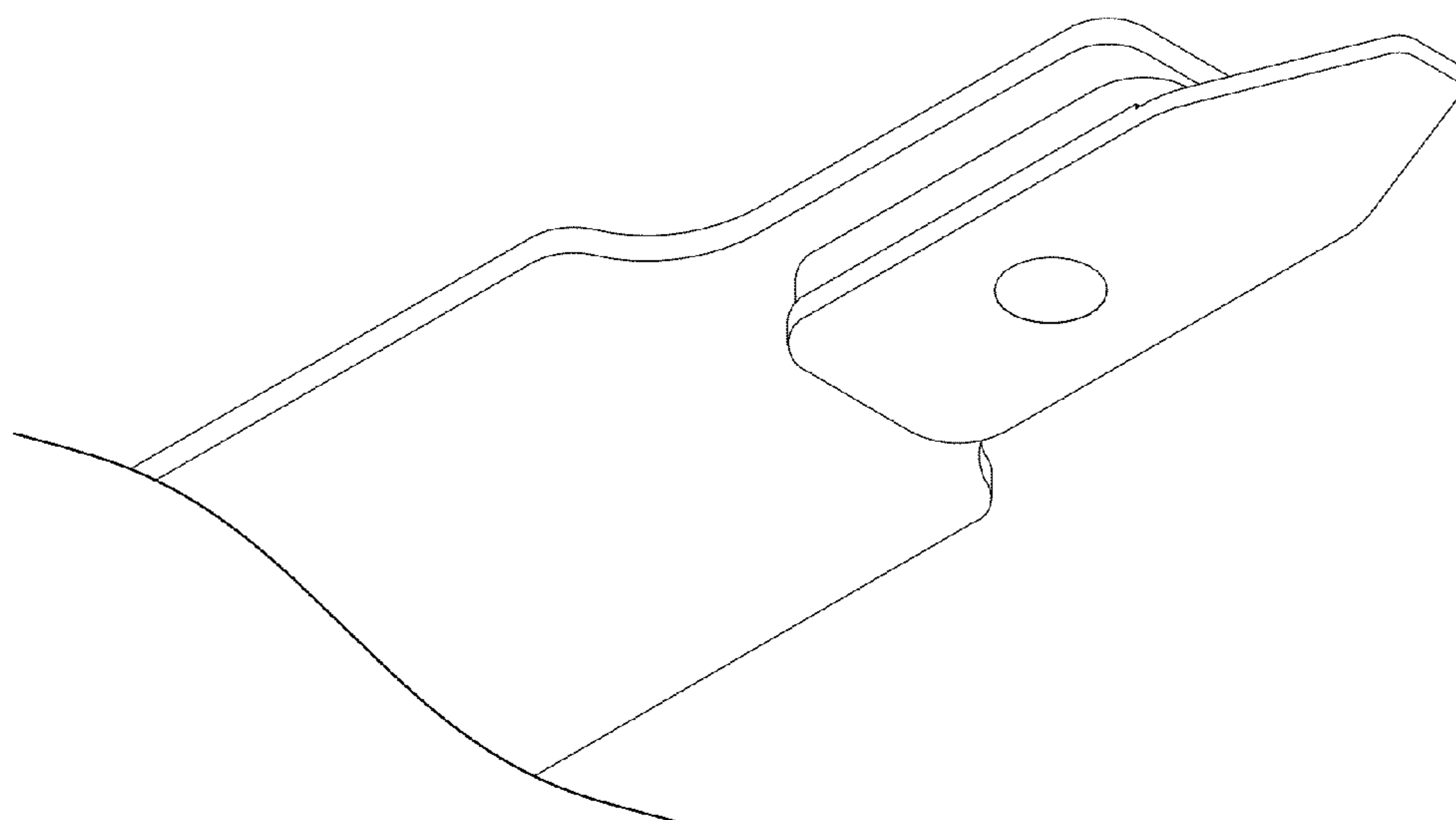


FIG. 1

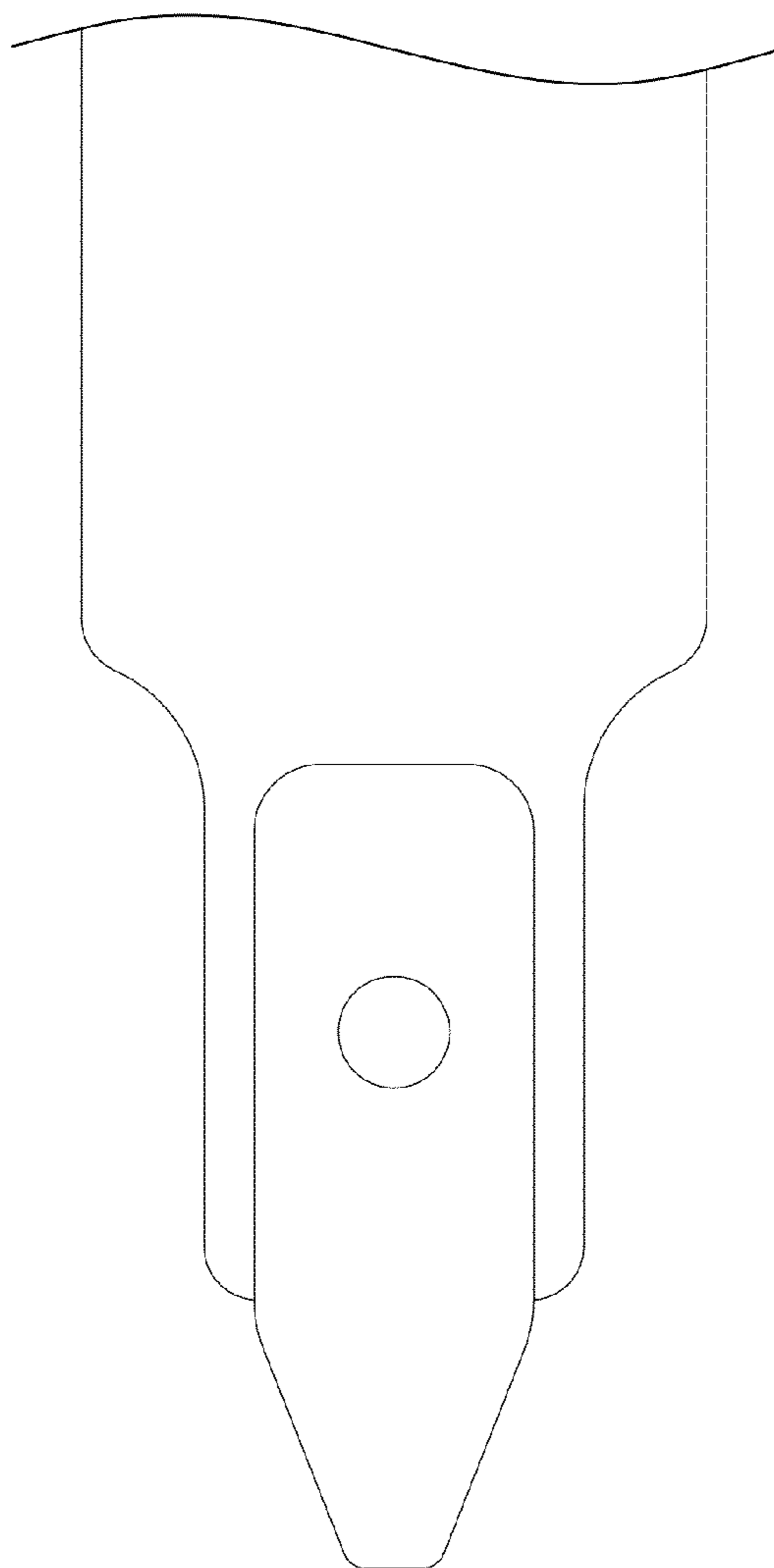


FIG. 2

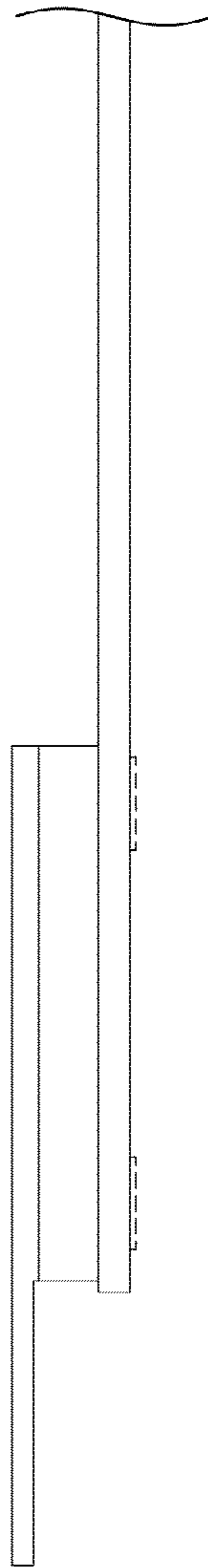


FIG. 3