



US00D716942S

(12) **United States Design Patent**
Eisenkolb et al.

(10) **Patent No.:** **US D716,942 S**

(45) **Date of Patent:** **** Nov. 4, 2014**

(54) **ENDOSCOPE**

(71) Applicant: **KARL STORZ GmbH & Co. KG,**
Tuttlingen (DE)

(72) Inventors: **Peter Eisenkolb,** Tuttlingen (DE);
Florian Wanner, Tuttlingen (DE)

(73) Assignee: **KARL STORZ GmbH & Co. KG,**
Tuttlingen (DE)

(**) Term: **14 Years**

(21) Appl. No.: **29/444,042**

(22) Filed: **Jan. 25, 2013**

(30) **Foreign Application Priority Data**

Aug. 13, 2012 (EM) 002087262-0004

(51) **LOC (10) Cl.** **24-02**

(52) **U.S. Cl.**
USPC **D24/138**

(58) **Field of Classification Search**
CPC .. A61B 1/00; A61B 1/00064; A61B 1/00066;
A61B 1/0669
USPC D24/138, 137, 133; 600/101-183
See application file for complete search history.

(56) **References Cited**

U.S. PATENT DOCUMENTS

D598,099 S * 8/2009 Halbig D24/138
D637,718 S * 5/2011 Eisenkolb D24/138
D638,542 S * 5/2011 Eisenkolb D24/138

D645,963 S * 9/2011 Buerk et al. D24/138
D647,614 S * 10/2011 Becker D24/138
D647,615 S * 10/2011 Becker D24/138
D648,022 S * 11/2011 Becker D24/138
D650,077 S * 12/2011 Becker D24/138
D657,463 S * 4/2012 Becker D24/138
D667,545 S * 9/2012 Czupalla D24/137
D669,580 S * 10/2012 Eisenkolb et al. D24/137
D670,385 S * 11/2012 Becker et al. D24/138
2010/0022838 A1 * 1/2010 Hoeg 600/131

* cited by examiner

Primary Examiner — Bridget L Eland

(74) *Attorney, Agent, or Firm* — Muncy, Geissler, Olds & Lowe, P.C.

(57) **CLAIM**

The ornamental design for an endoscope, as shown and described.

DESCRIPTION

FIG. 1 is a left side elevational view of an endoscope according to the present invention.

FIG. 2 is a right side elevational view of the endoscope of FIG. 1.

FIG. 3 is a front perspective view of the endoscope of FIG. 1.

FIG. 4 is a rear perspective view of the endoscope of FIG. 1.

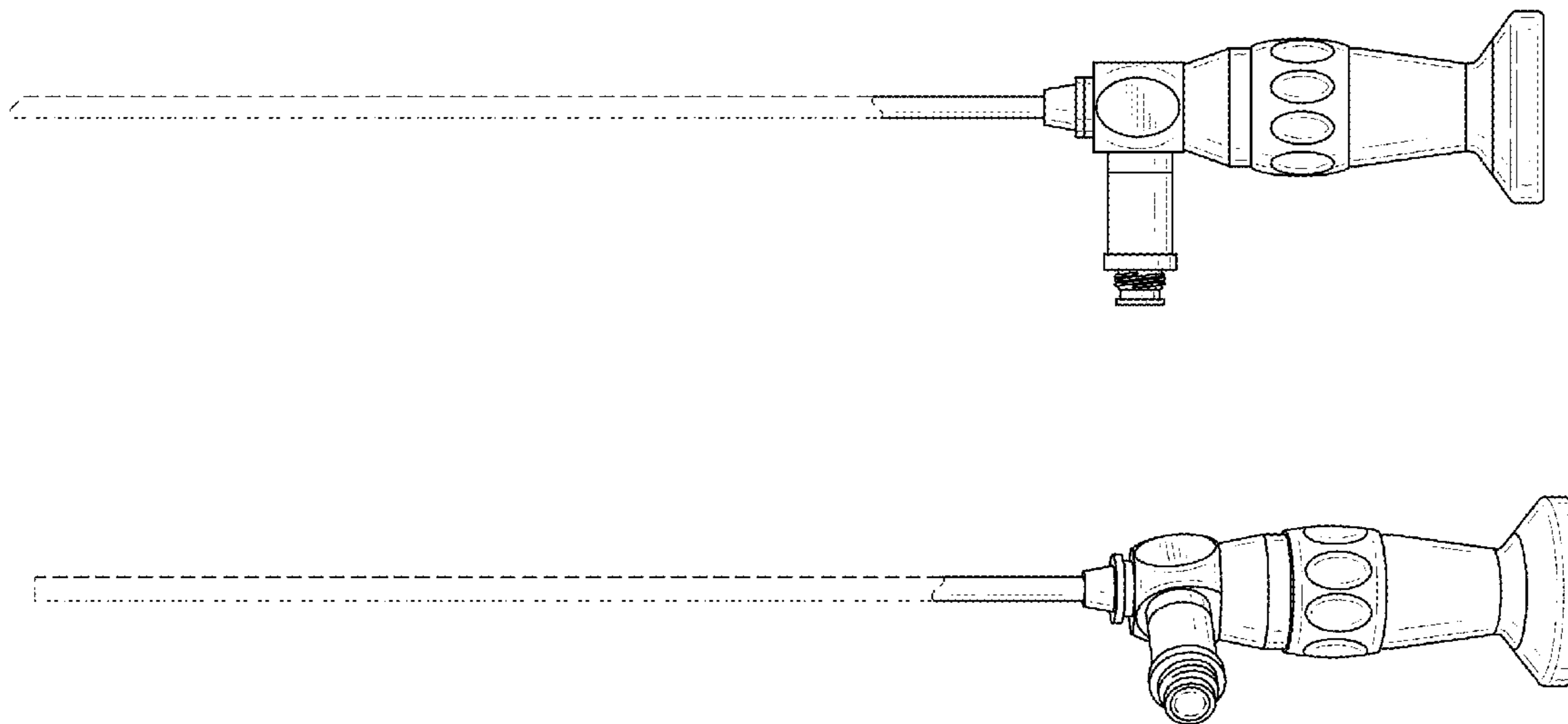
FIG. 5 is a top plan view of the endoscope of FIG. 1.

FIG. 6 is a bottom perspective view of the endoscope of FIG. 1; and,

FIG. 7 is a three-quarter perspective view of the endoscope of FIG. 1.

The dashed lines illustrate environment that does not form a part of the present invention, and no claim is made to the material illustrated with dashed lines.

1 Claim, 7 Drawing Sheets



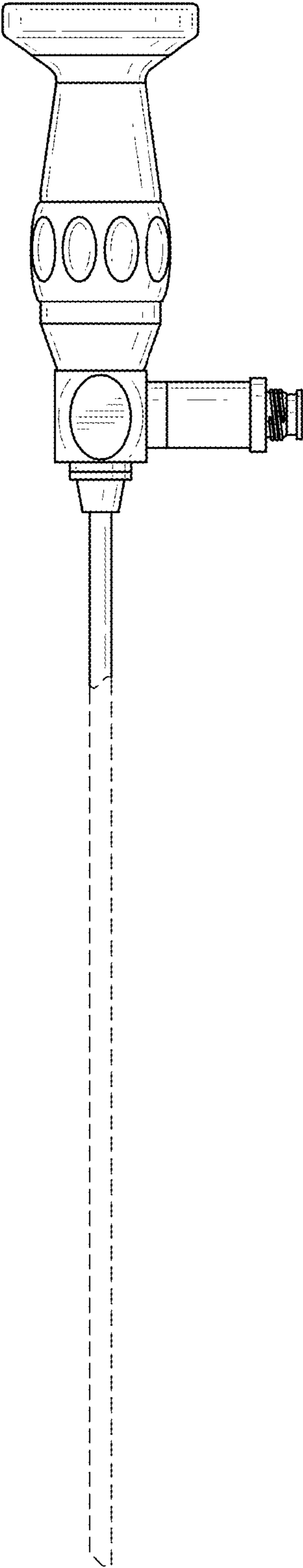


FIG.1

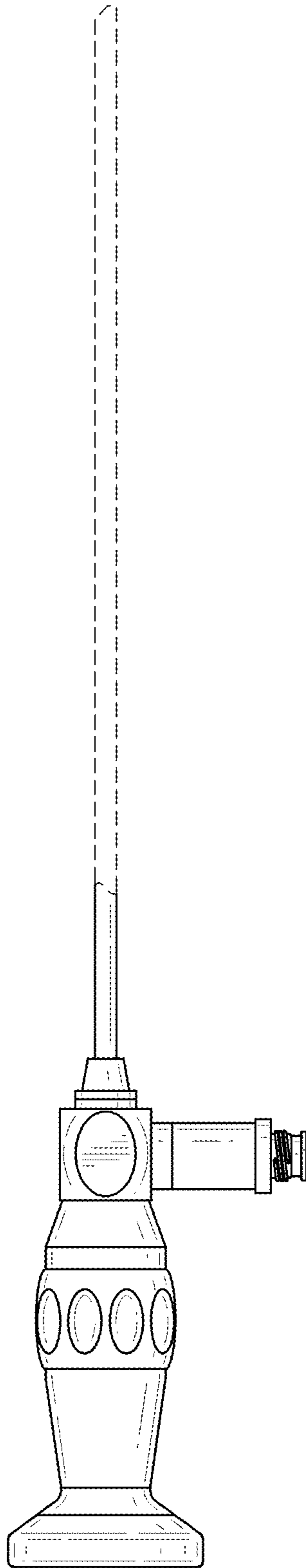


FIG.2

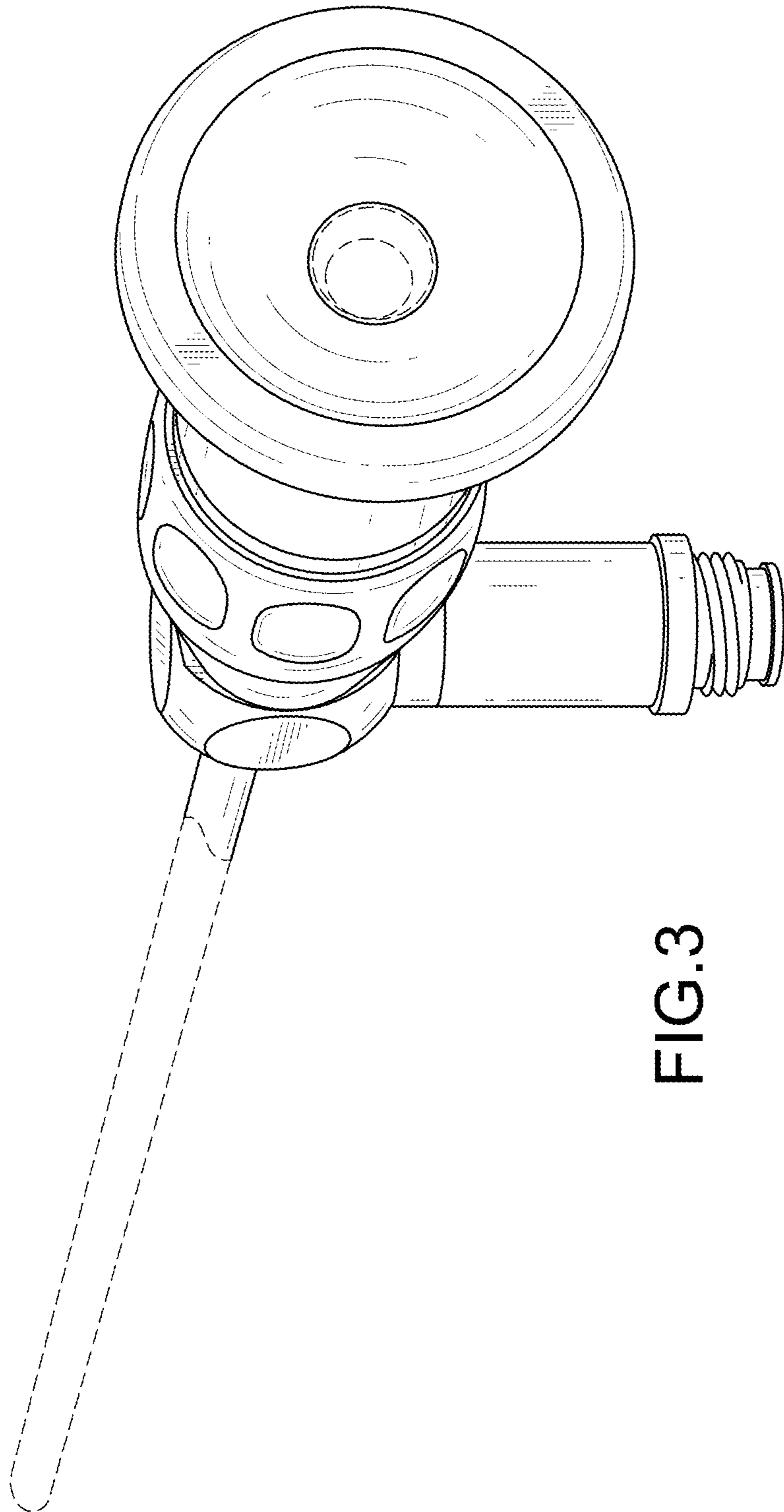


FIG.3

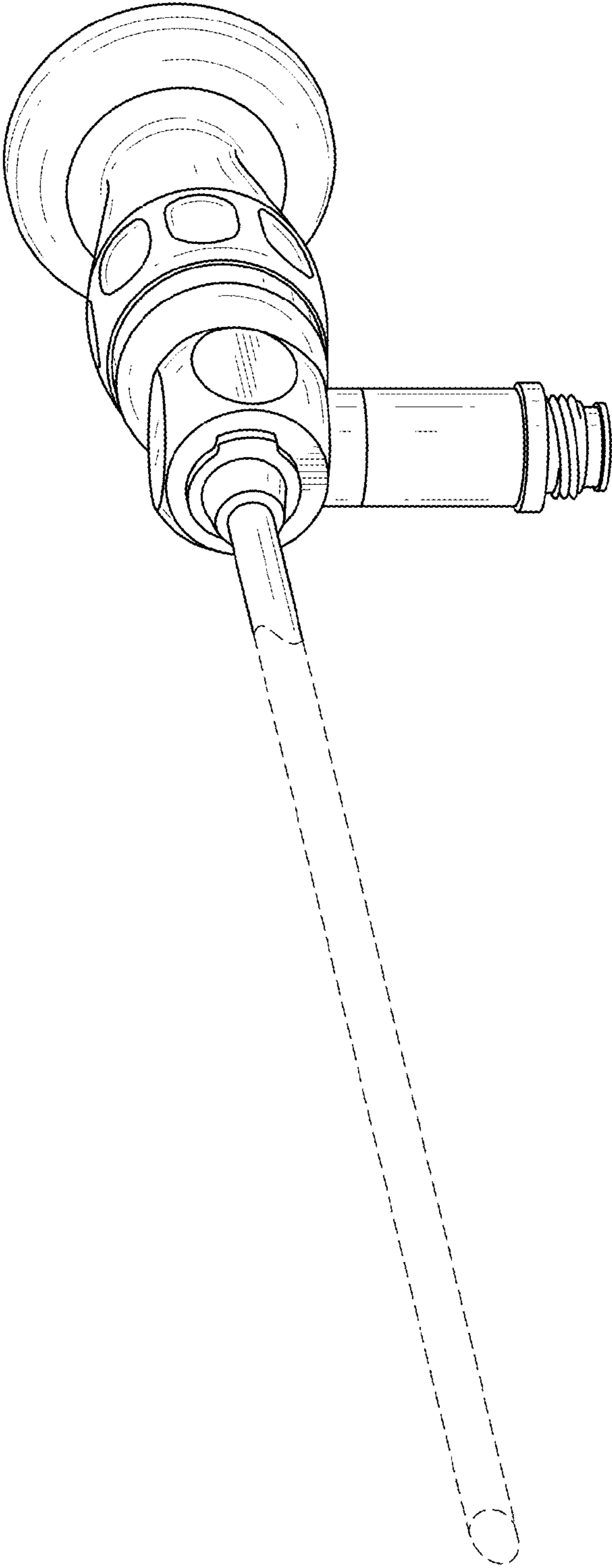


FIG.4

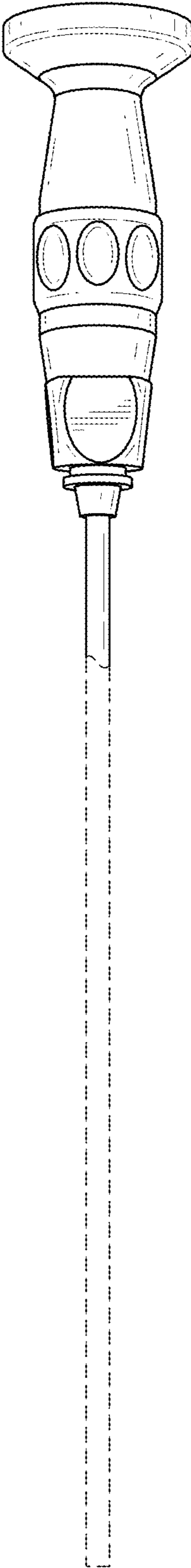


FIG.5

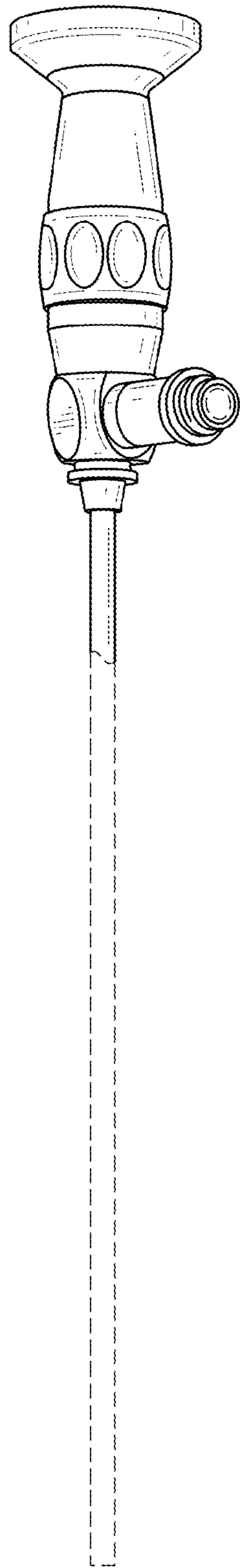


FIG. 6

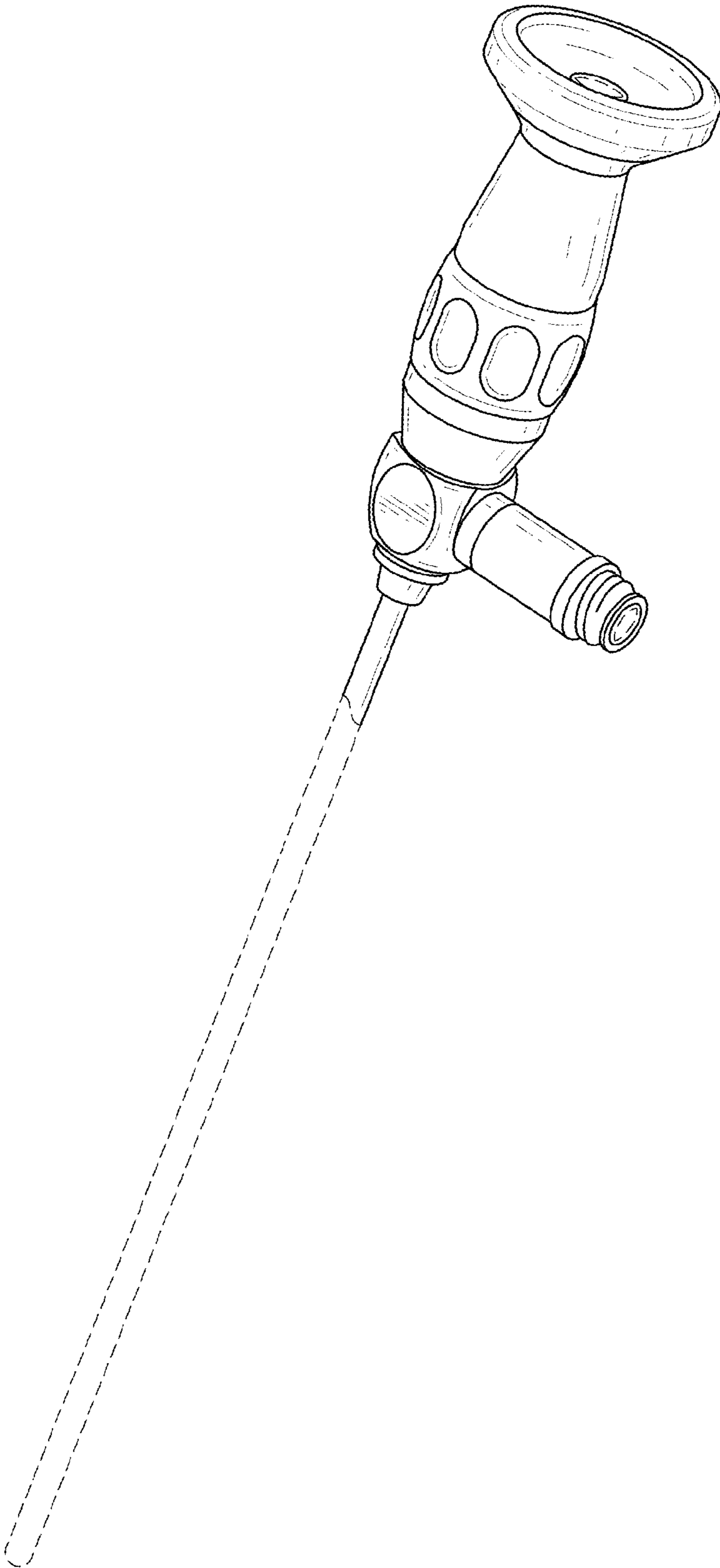


FIG.7