

US00D716940S

(12) **United States Design Patent**
Zhang et al.

(10) **Patent No.:** **US D716,940 S**
(45) **Date of Patent:** **** Nov. 4, 2014**

(54) **CLIP FOR A HEAD ATTACHMENT SYSTEM**

(75) Inventors: **Yajun Edwin Zhang**, Shanghai (CN);
Zhao Xia Jin, Shanghai (CN); **Jimmy Zheng**, Shanghai (CN); **Mew Liu**,
Shanghai (CN); **Jacky Zhu**, Shanghai
(CN)

(73) Assignee: **Honeywell International Inc.**,
Morristown, NJ (US)

(**) Term: **14 Years**

(21) Appl. No.: **29/427,688**

(22) Filed: **Jul. 20, 2012**

(30) **Foreign Application Priority Data**

Jan. 21, 2012 (CN) 2012 3 0017989

(51) **LOC (10) Cl.** **24-02**

(52) **U.S. Cl.**
USPC **D24/127**

(58) **Field of Classification Search**
USPC D24/110, 110.1, 110.4, 127, 128,
D24/110.2-110.6; D29/102, 122; D2/866,
D2/891; 128/206.21, 206.27, 207.11,
128/207.17, 205.25
See application file for complete search history.

(56) **References Cited**

U.S. PATENT DOCUMENTS

1,990,199	A *	2/1935	Nemzek	128/207.11
3,014,479	A *	12/1961	Matheson	D24/110.1
3,234,939	A *	2/1966	Morton, Jr.	128/206.27
3,234,940	A *	2/1966	Morton, Jr.	128/206.27
3,330,274	A *	7/1967	Ray	128/207.11
4,402,316	A *	9/1983	Gadberry	128/206.21
4,774,943	A *	10/1988	Yu	128/207.17
D334,633	S *	4/1993	Rudolph	D24/110.4
5,303,426	A *	4/1994	Jones	2/181
5,429,126	A *	7/1995	Bracken	128/207.11

5,441,046	A *	8/1995	Starr et al.	128/207.11
5,481,763	A *	1/1996	Brostrom et al.	128/207.11
6,062,221	A *	5/2000	Brostrom et al.	128/206.27
6,536,435	B1 *	3/2003	Fecteau et al.	128/207.11
6,691,314	B1 *	2/2004	Grilliot et al.	128/207.11
7,185,653	B2 *	3/2007	Lee	128/207.11
D545,001	S *	6/2007	Le Gette et al.	D29/122
7,296,575	B1 *	11/2007	Radney	128/207.11
D559,977	S *	1/2008	Ball	D24/110.4

(Continued)

Primary Examiner — Robert Delehanty

(74) *Attorney, Agent, or Firm* — Conley Rose, P.C.; Kristin Jordan Harkins

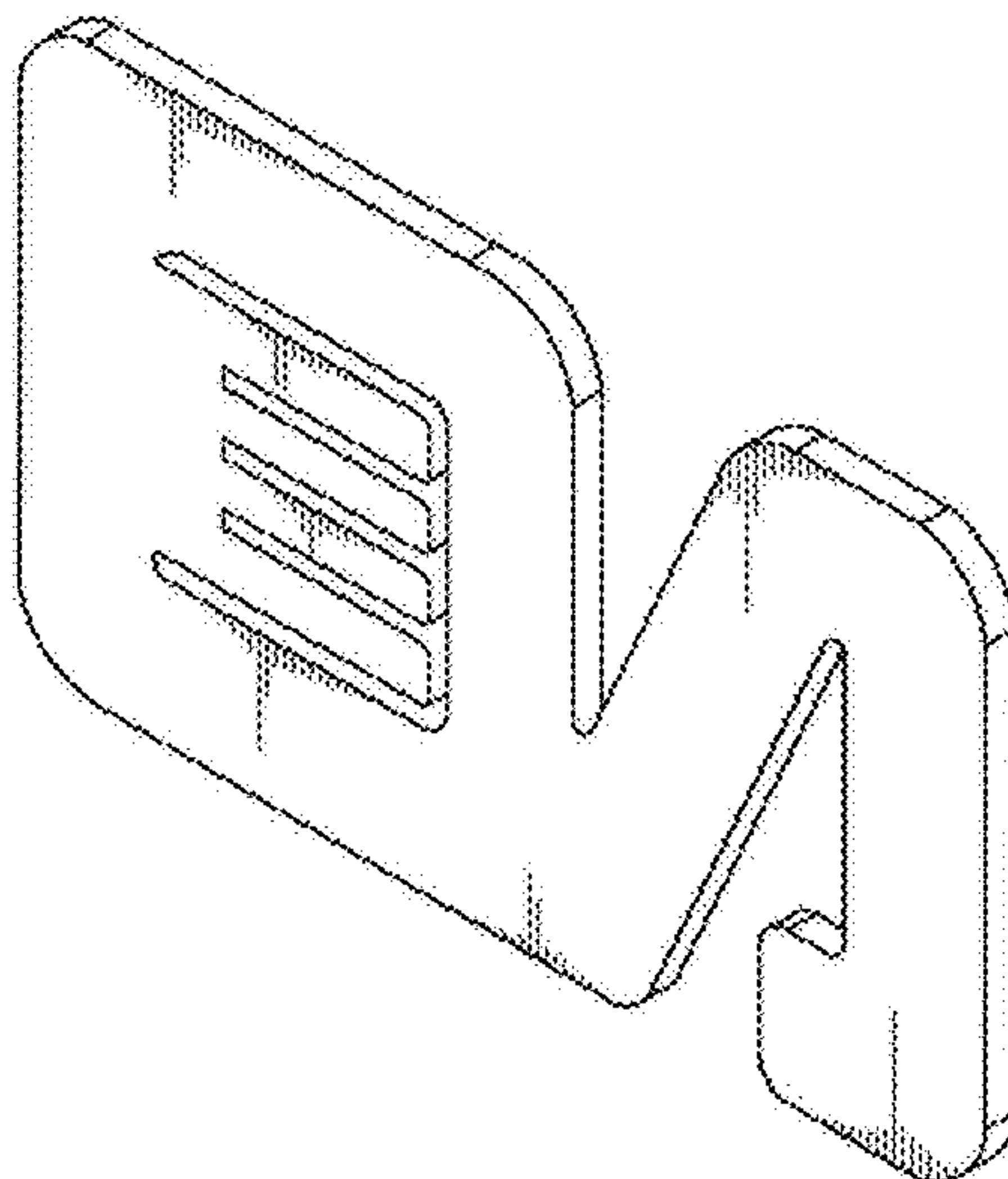
(57) **CLAIM**

The ornamental design for a clip for a head attachment system, as shown and described.

DESCRIPTION

FIG. 1 is a perspective view of an embodiment of a clip for a head attachment system;
 FIG. 2 is a front view of the embodiment of FIG. 1;
 FIG. 3 is a rear view of the embodiment of FIG. 1, which is mirror image of FIG. 2;
 FIG. 4 is a top view of the embodiment of FIG. 1, while FIG. 5 is a bottom view of the embodiment of FIG. 1;
 FIGS. 6-7 are side views of the embodiment of FIG. 1, which are mirror images;
 FIG. 8 is a reference view showing use of the embodiment of FIG. 1 with an optional exemplary mask strap; and,
 FIG. 9 is a second reference view showing use of the embodiment of FIG. 1 with an optional exemplary mask.
 Any broken lines show in the drawings are only provided to illustrate the environment of the design, and form no part of the claimed design. In instances where an opposite side of an embodiment is not specifically illustrated and might not be fully apparent from the presented side figure(s) in conjunction with the presented perspective figure, such opposite side may be a mirror image of the side which is specifically illustrated.

1 Claim, 5 Drawing Sheets



(56)

References Cited

U.S. PATENT DOCUMENTS

D560,797	S *	1/2008	Carroll et al.	D24/110.1	8,267,088	B2 *	9/2012	Steindorf et al.	128/207.11
7,421,763	B2 *	9/2008	Cheng	128/207.11	8,360,063	B2 *	1/2013	Liland	128/207.11
7,600,513	B2 *	10/2009	Gunaratnam et al. ...	128/206.27	8,387,619	B2 *	3/2013	Lee et al.	128/206.21
D604,853	S *	11/2009	Abel et al.	D24/110	8,443,805	B2 *	5/2013	Amarasinghe et al. ..	128/207.11
7,628,154	B2 *	12/2009	Bierman et al.	128/207.17	D686,314	S *	7/2013	Matula, Jr.	D24/110.1
7,779,832	B1 *	8/2010	Ho	128/207.11	8,499,762	B2 *	8/2013	Couts	128/207.17
7,845,352	B2 *	12/2010	Sleeper et al.	128/206.21	8,517,023	B2 *	8/2013	Henry	128/207.11
7,900,630	B2 *	3/2011	Geiselhart et al.	128/207.11	8,522,784	B2 *	9/2013	Ng et al.	128/206.21
7,931,025	B2 *	4/2011	Eaton et al.	128/207.11	8,528,561	B2 *	9/2013	Ng et al.	128/206.21
7,992,560	B2 *	8/2011	Burton et al.	128/207.11	D695,887	S *	12/2013	Ozolins et al.	D24/110.4
D644,727	S *	9/2011	Salus	D24/110.1	8,596,271	B2 *	12/2013	Matula et al.	128/205.25
8,104,472	B2 *	1/2012	Henderson et al.	128/206.27	8,636,005	B2 *	1/2014	Gradon et al.	128/207.11
D653,748	S *	2/2012	Henry et al.	D24/110.5	8,636,452	B2 *	1/2014	Summer et al.	410/101
8,136,523	B2 *	3/2012	Rudolph	128/206.24	8,757,157	B2 *	6/2014	Price et al.	128/206.21
					8,757,162	B2 *	6/2014	Veliss et al.	128/207.18
					8,763,612	B2 *	7/2014	Guney et al.	128/207.11

* cited by examiner

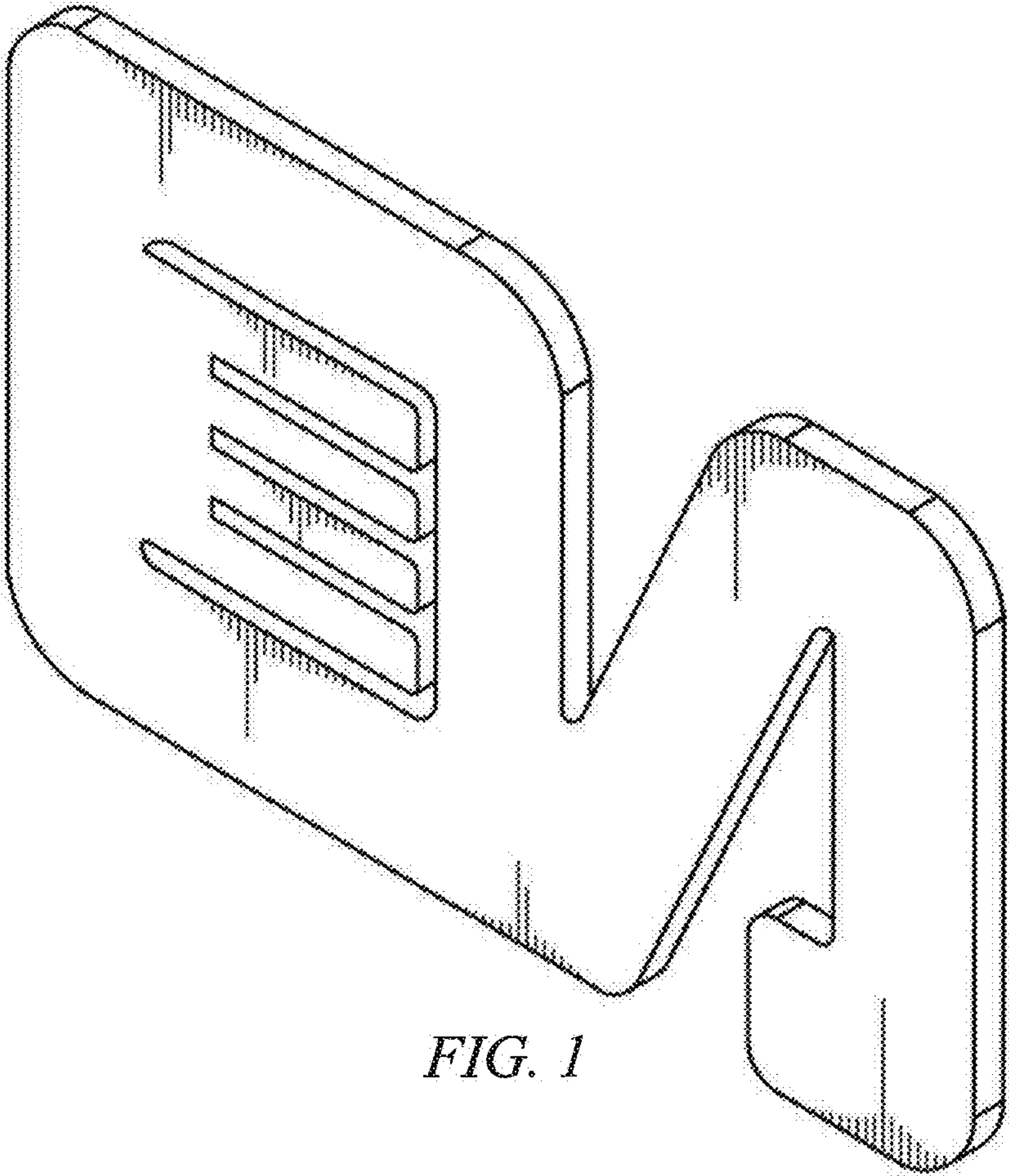


FIG. 1

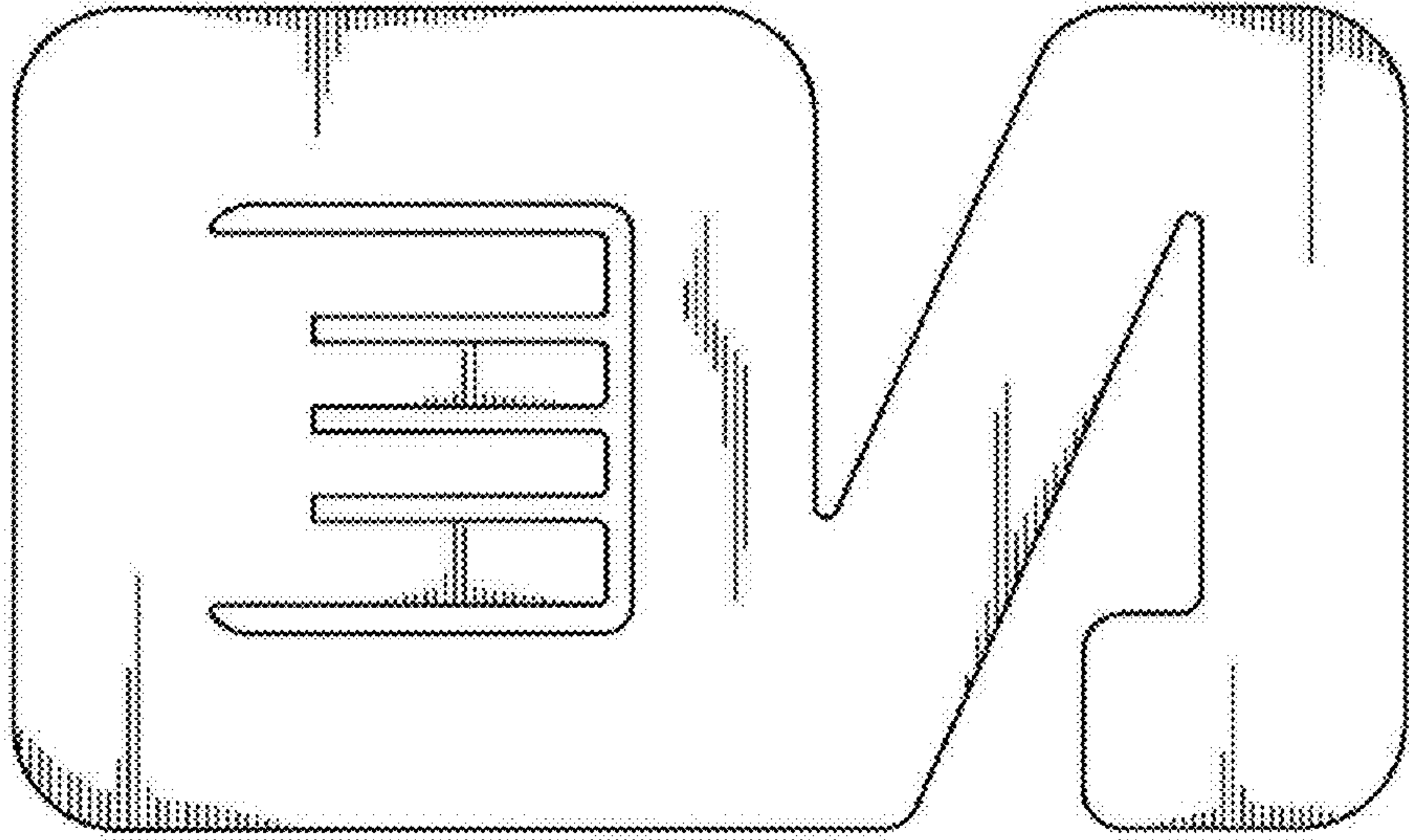


FIG. 2

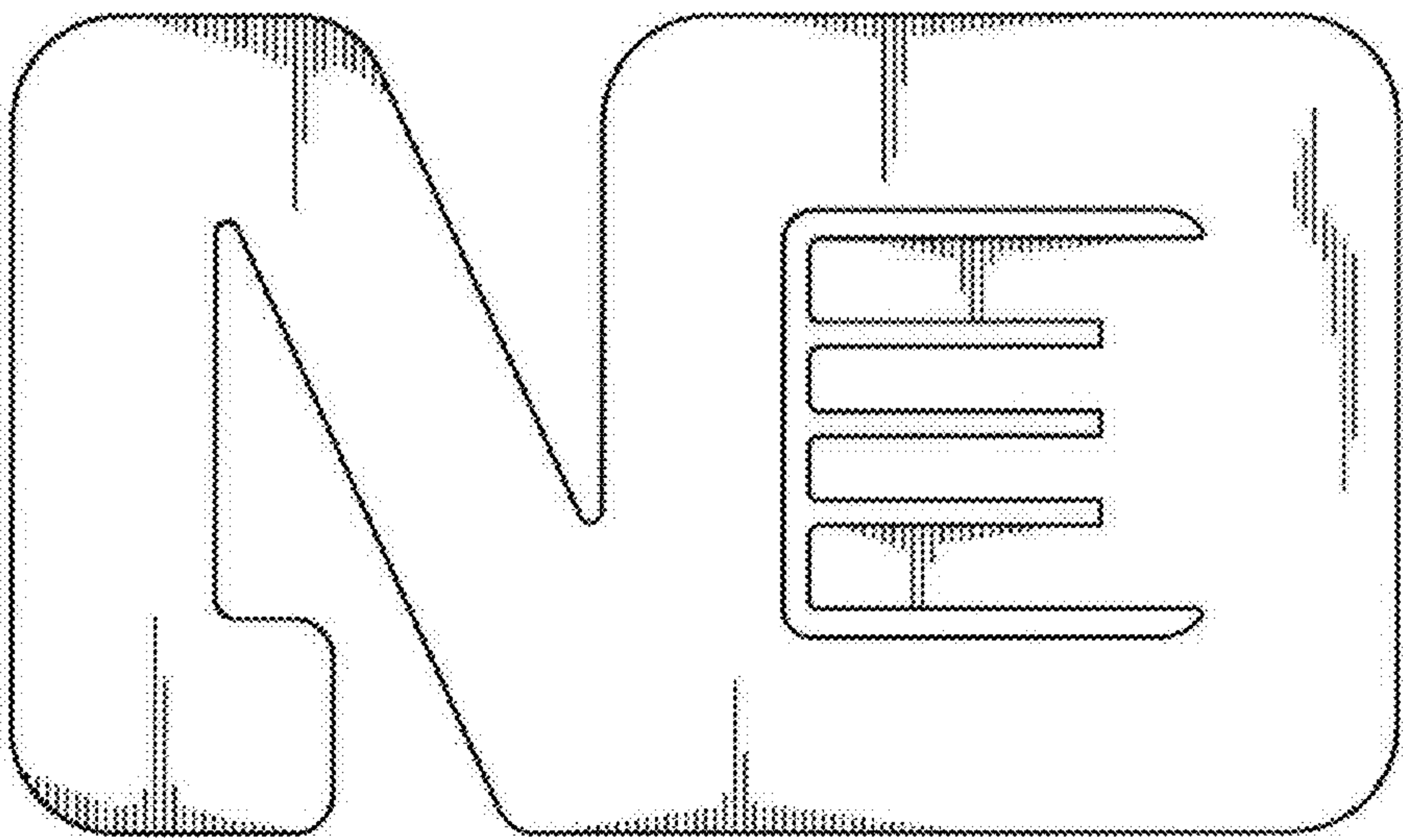


FIG. 3

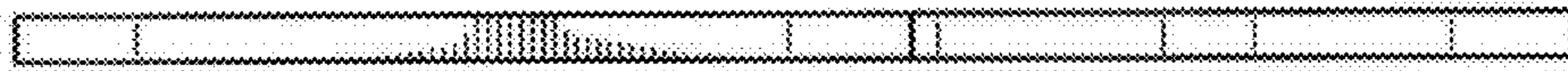


FIG. 4

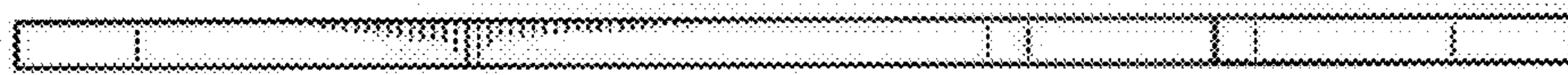


FIG. 5



FIG. 6



FIG. 7

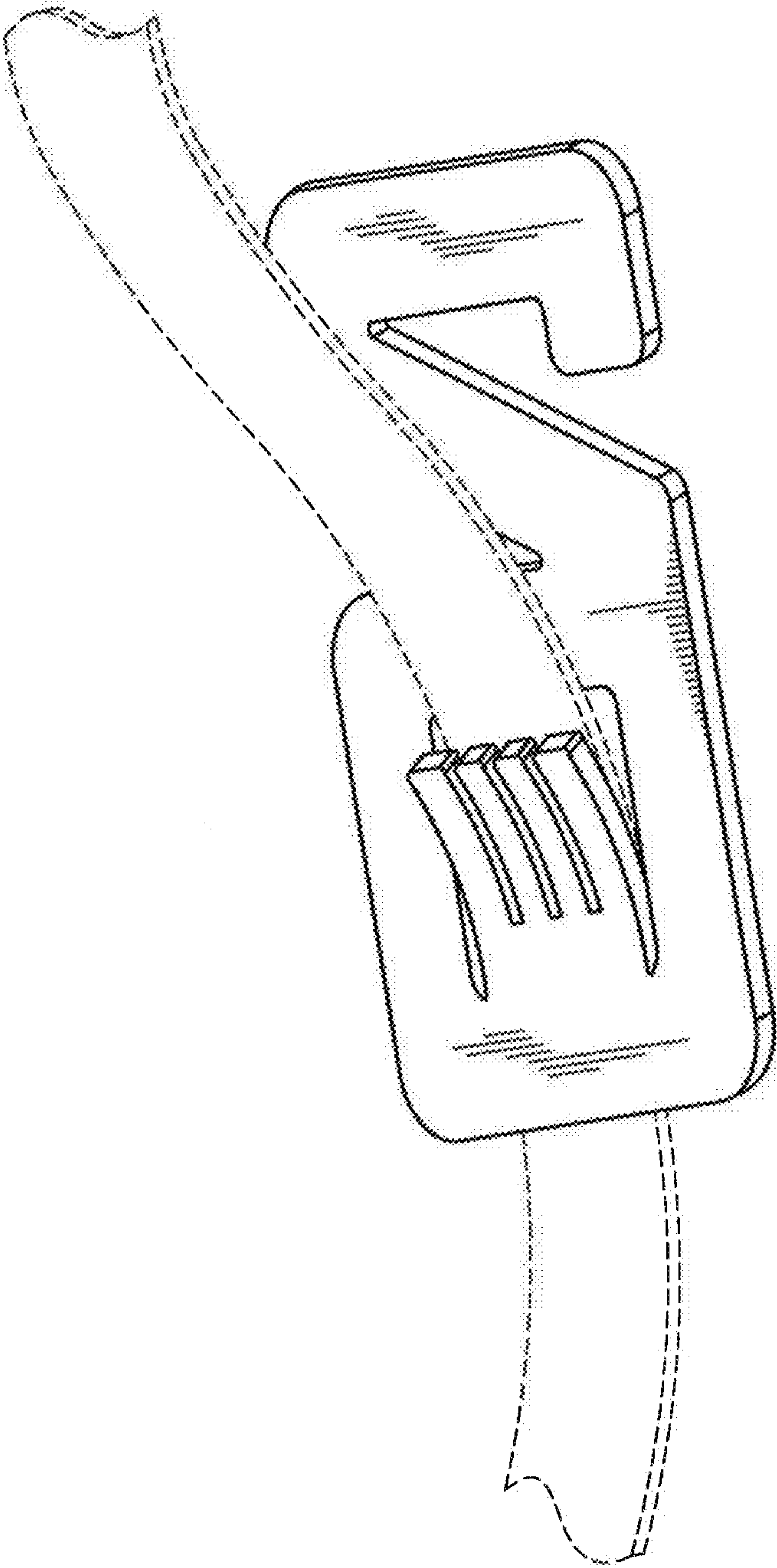
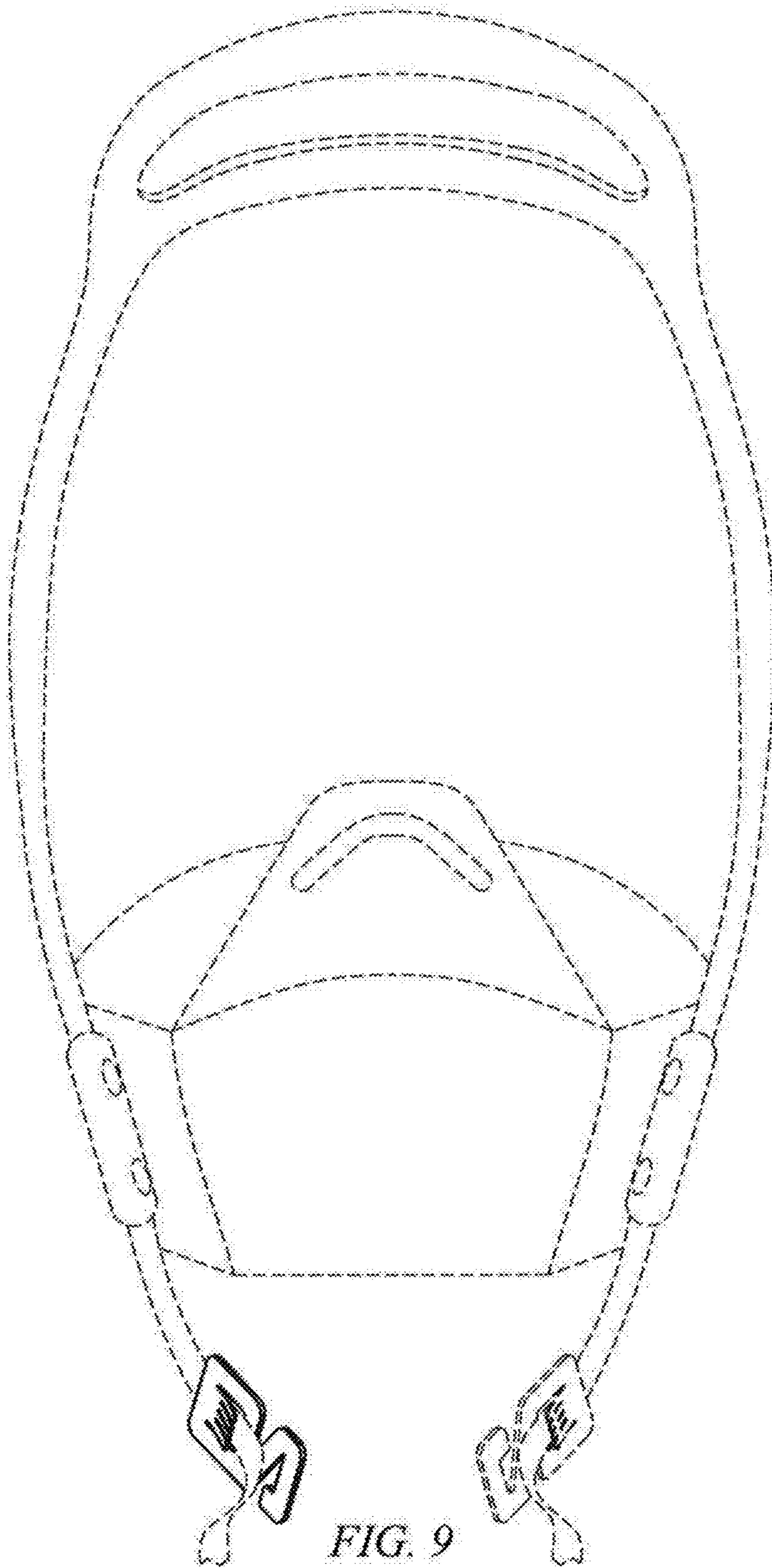


FIG. 8



UNITED STATES PATENT AND TRADEMARK OFFICE
CERTIFICATE OF CORRECTION

PATENT NO. : D716,940 S
APPLICATION NO. : 29/427688
DATED : November 4, 2014
INVENTOR(S) : Yajun Edwin Zhang et al.

Page 1 of 1

It is certified that error appears in the above-identified patent and that said Letters Patent is hereby corrected as shown below:

On the Title Page

DESCRIPTION, Line 11: “and,” should be “and”

DESCRIPTION, Line 14: “show” should be “shown”

Signed and Sealed this
Seventeenth Day of October, 2017



Joseph Matal

*Performing the Functions and Duties of the
Under Secretary of Commerce for Intellectual Property and
Director of the United States Patent and Trademark Office*