



US00D716935S

(12) **United States Design Patent**
Cogan

(10) **Patent No.:** **US D716,935 S**

(45) **Date of Patent:** **** Nov. 4, 2014**

(54) **GROIN AREA PROPHYLACTIC SHIELD**

(76) Inventor: **Solomon L. Cogan**, Farmington, MI
(US)

(**) Term: **14 Years**

(21) Appl. No.: **29/420,571**

(22) Filed: **May 10, 2012**

(51) **LOC (10) Cl.** **28-01**

(52) **U.S. Cl.**
USPC **D24/105**

(58) **Field of Classification Search**

USPC D24/105; 604/350, 349, 347, 346, 327,
604/317, 352; 128/842, 844, 830

See application file for complete search history.

(56) **References Cited**

U.S. PATENT DOCUMENTS

| | | | | |
|--------------|------|---------|---------------|---------|
| 2,591,783 | A * | 4/1952 | Craddock | 128/842 |
| D303,153 | S * | 8/1989 | Puggard | D24/105 |
| 4,942,885 | A * | 7/1990 | Davis et al. | 128/842 |
| 4,981,147 | A * | 1/1991 | Barnett | 128/842 |
| 5,413,117 | A * | 5/1995 | Wills | 128/830 |
| D395,081 | S * | 6/1998 | Bowden | D24/105 |
| D523,140 | S * | 6/2006 | Bernal et al. | D24/105 |
| 2010/0071702 | A1 * | 3/2010 | Sturlingh | 128/844 |
| 2011/0247631 | A1 * | 10/2011 | Cornell | 128/842 |

* cited by examiner

Primary Examiner — Ian Simmons

Assistant Examiner — Eleni Aldridge

(74) *Attorney, Agent, or Firm* — Ingrassia Fisher & Lorenz,
P.C.

(57) **CLAIM**

The ornamental design for the groin area prophylactic shield,
as shown and described.

DESCRIPTION

FIG. 1 is a front perspective view of a groin area prophylactic shield of the present invention;

FIG. 2 is a top plan view thereof;

FIG. 3 is a front elevation view thereof;

FIG. 4 is a right side elevation view thereof; and the left side elevation is a mirror image of the right side elevation;

FIG. 5 is a front perspective view of a second embodiment of FIG. 1, the groin area prophylactic shield of the present invention including a prophylactic for the penis;

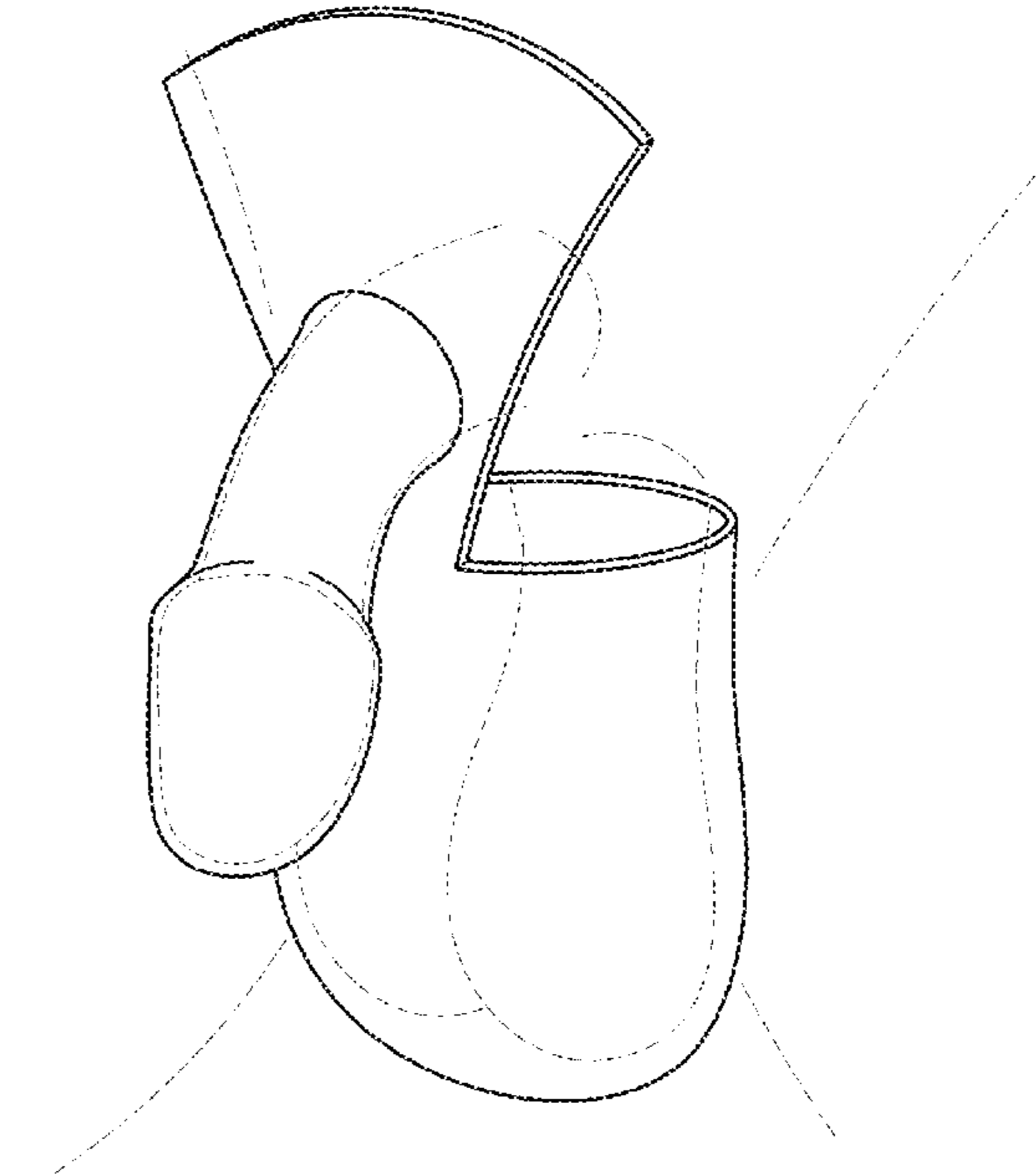
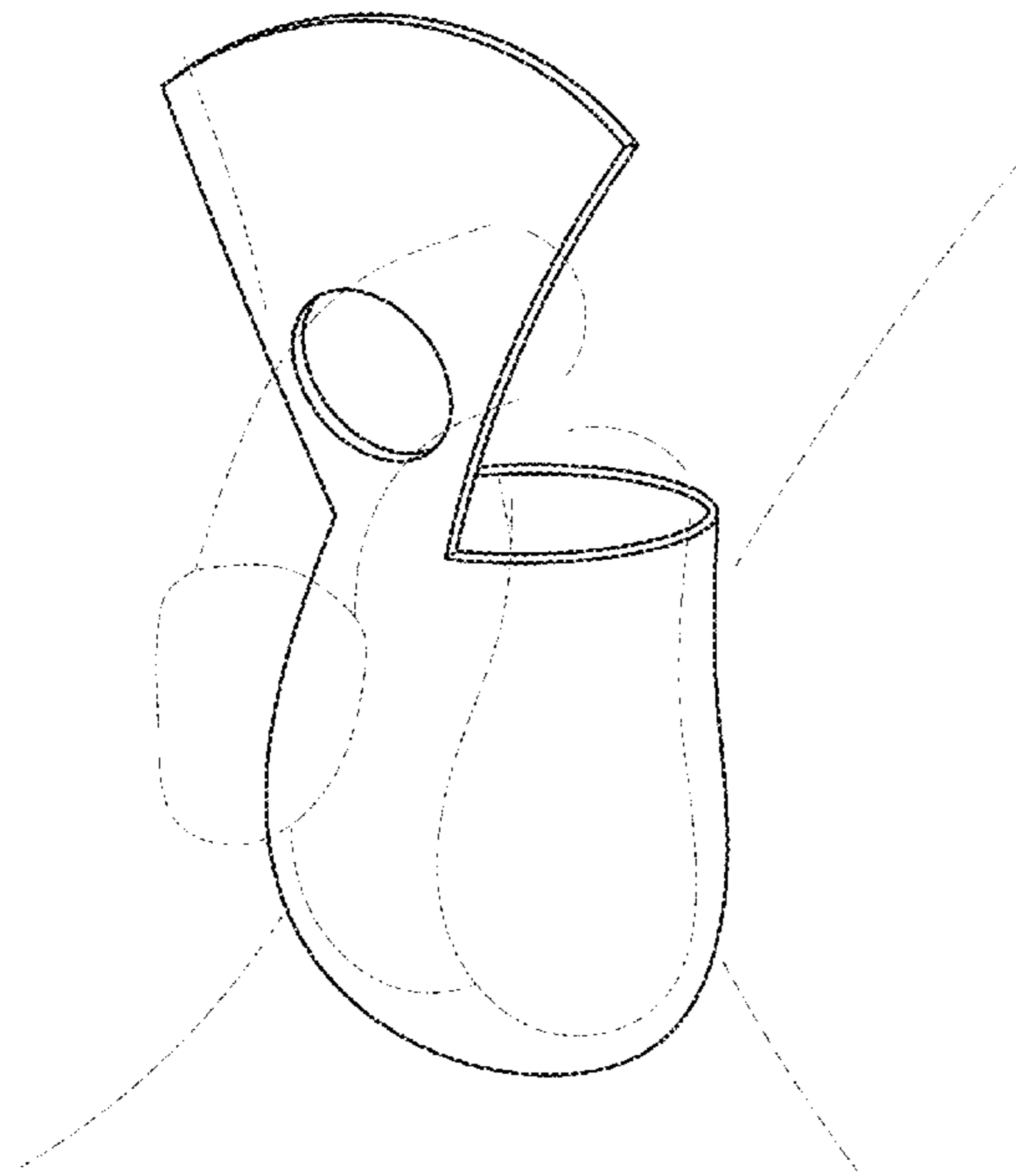
FIG. 6 is a top plan view of FIG. 5;

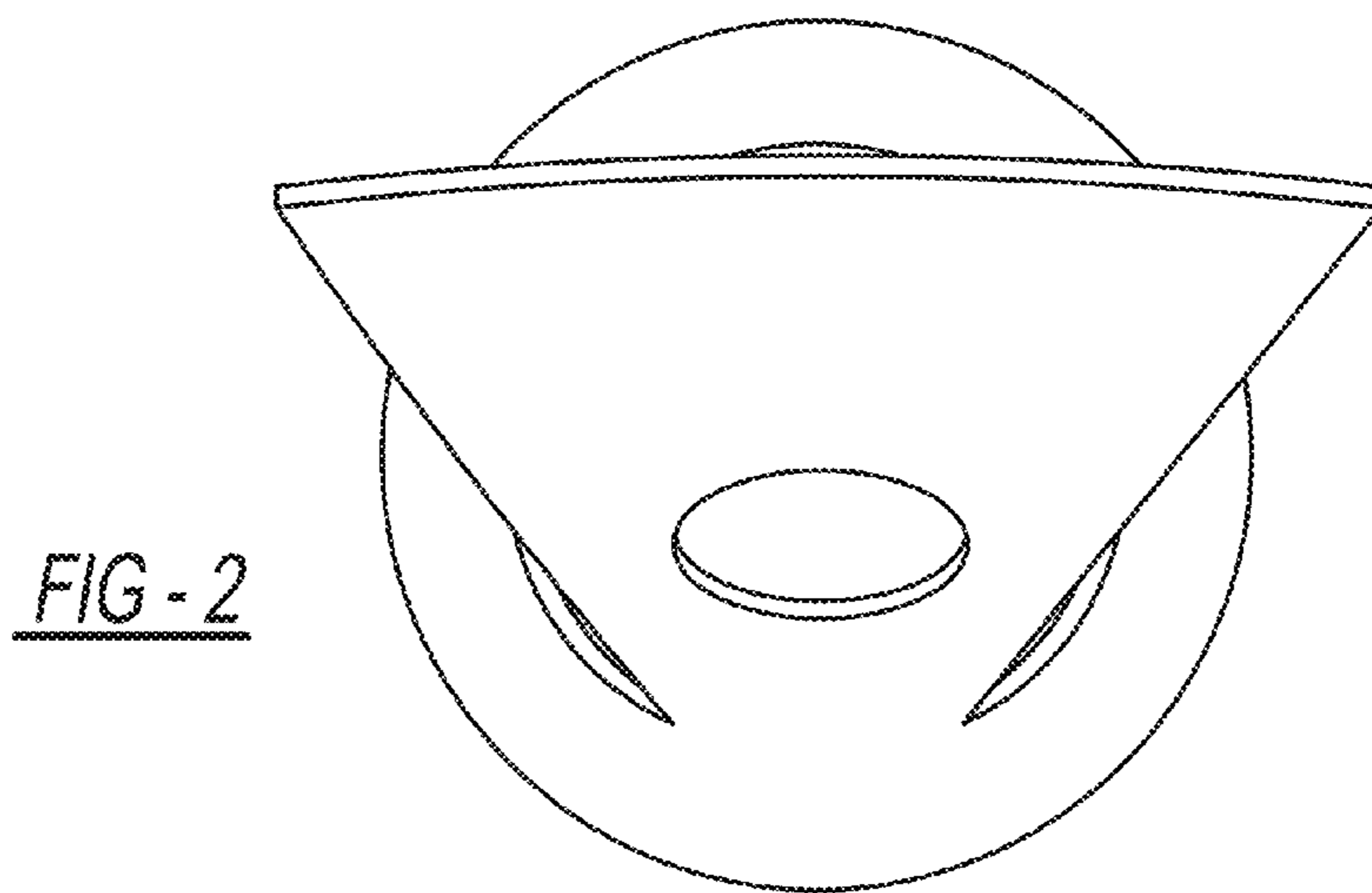
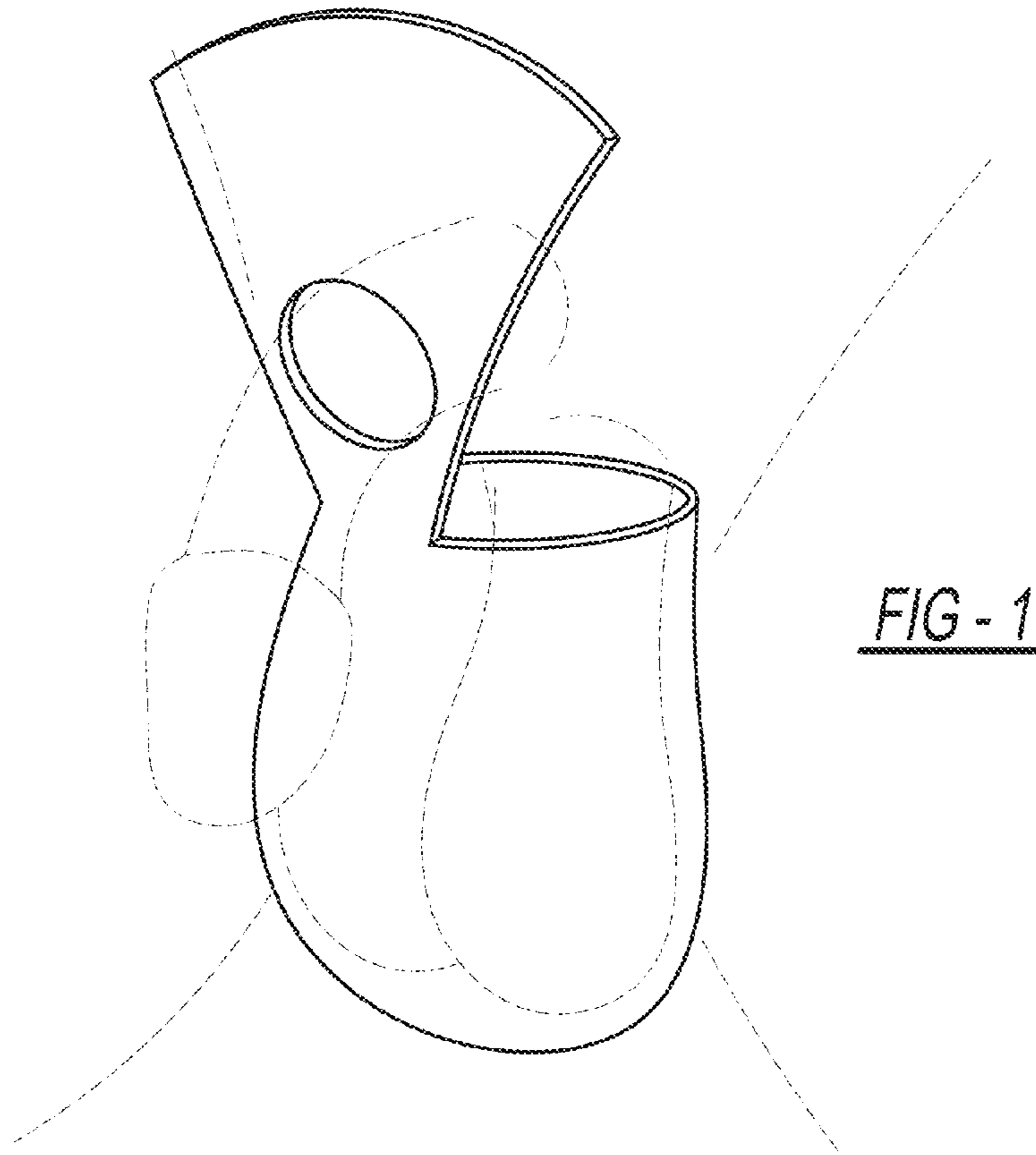
FIG. 7 is a front elevation view of FIG. 5; and,

FIG. 8 is a right side elevation view of FIG. 5; and the left side elevation is a mirror image of the right side elevation.

The broken lines showing a groin area are included for the purpose of illustrating an environmental structure and forms no part of the claimed design.

1 Claim, 4 Drawing Sheets





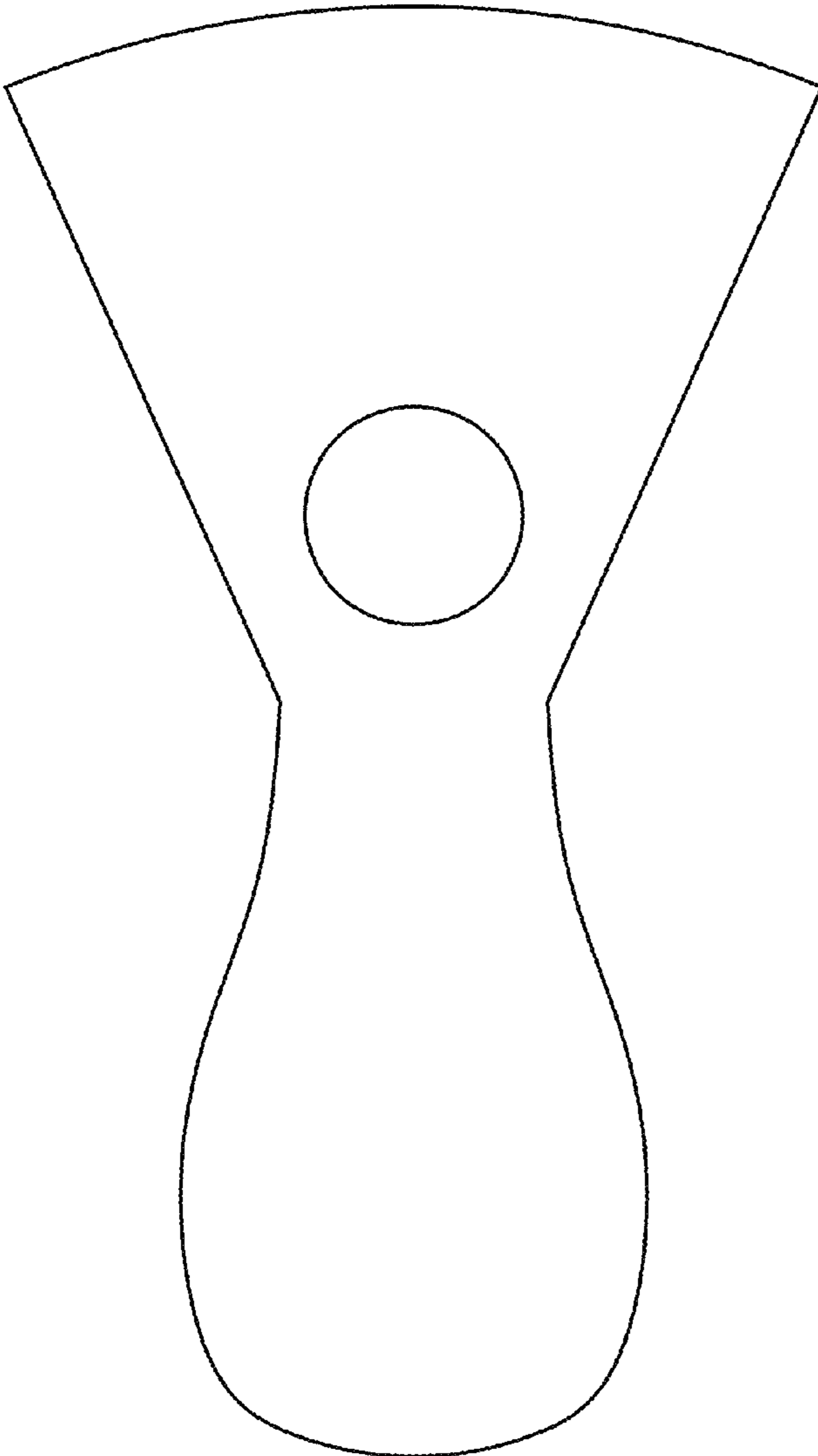


FIG - 3

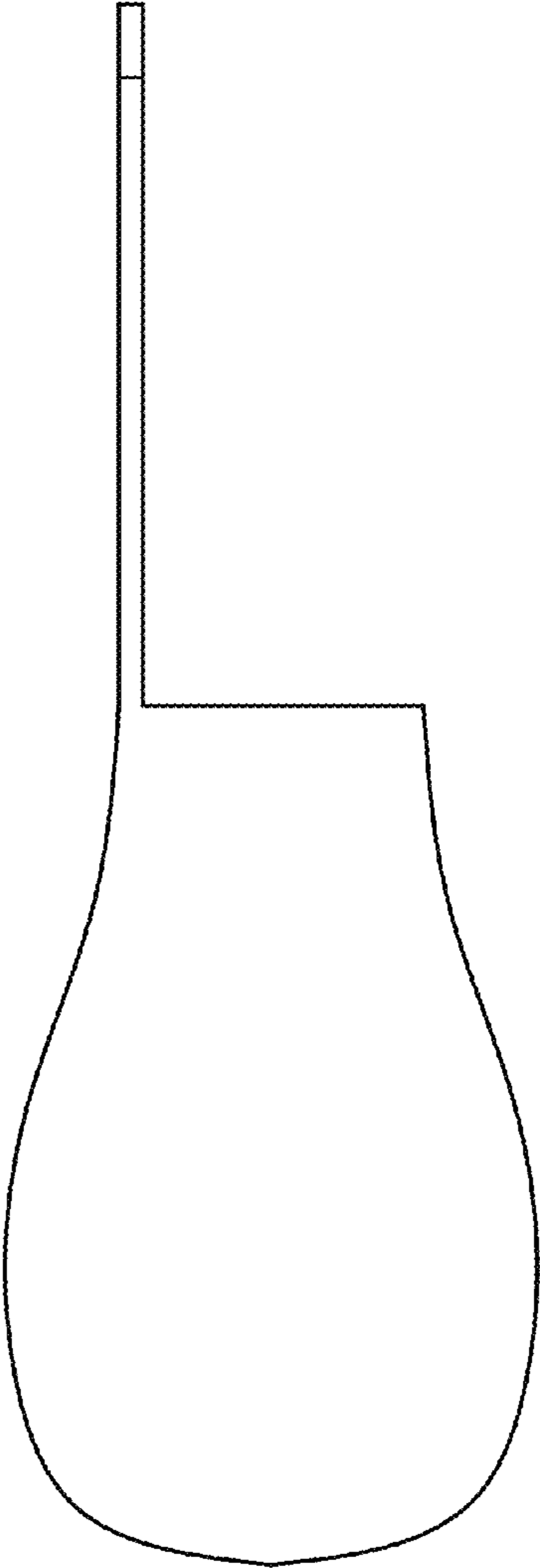
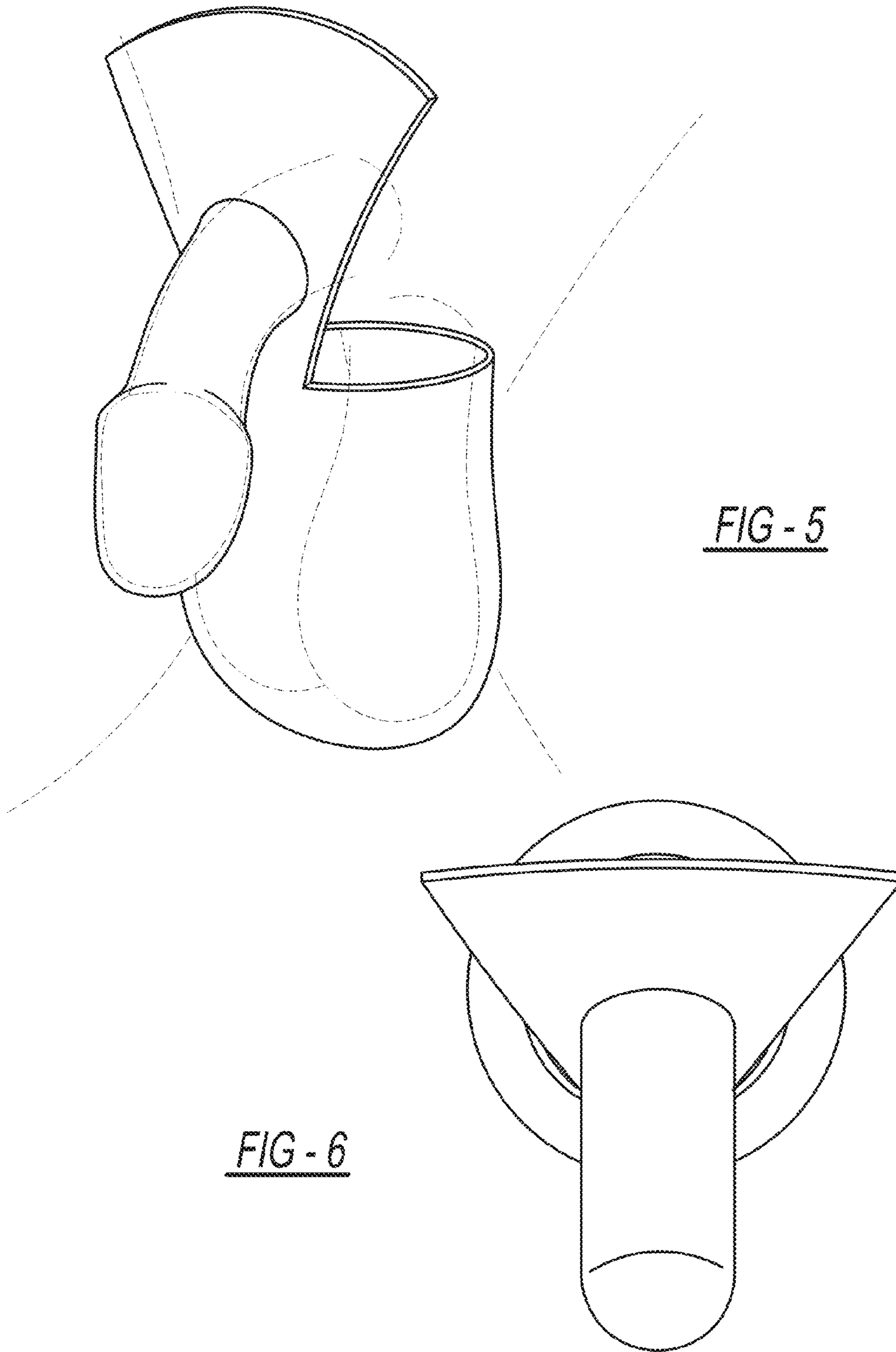


FIG - 4



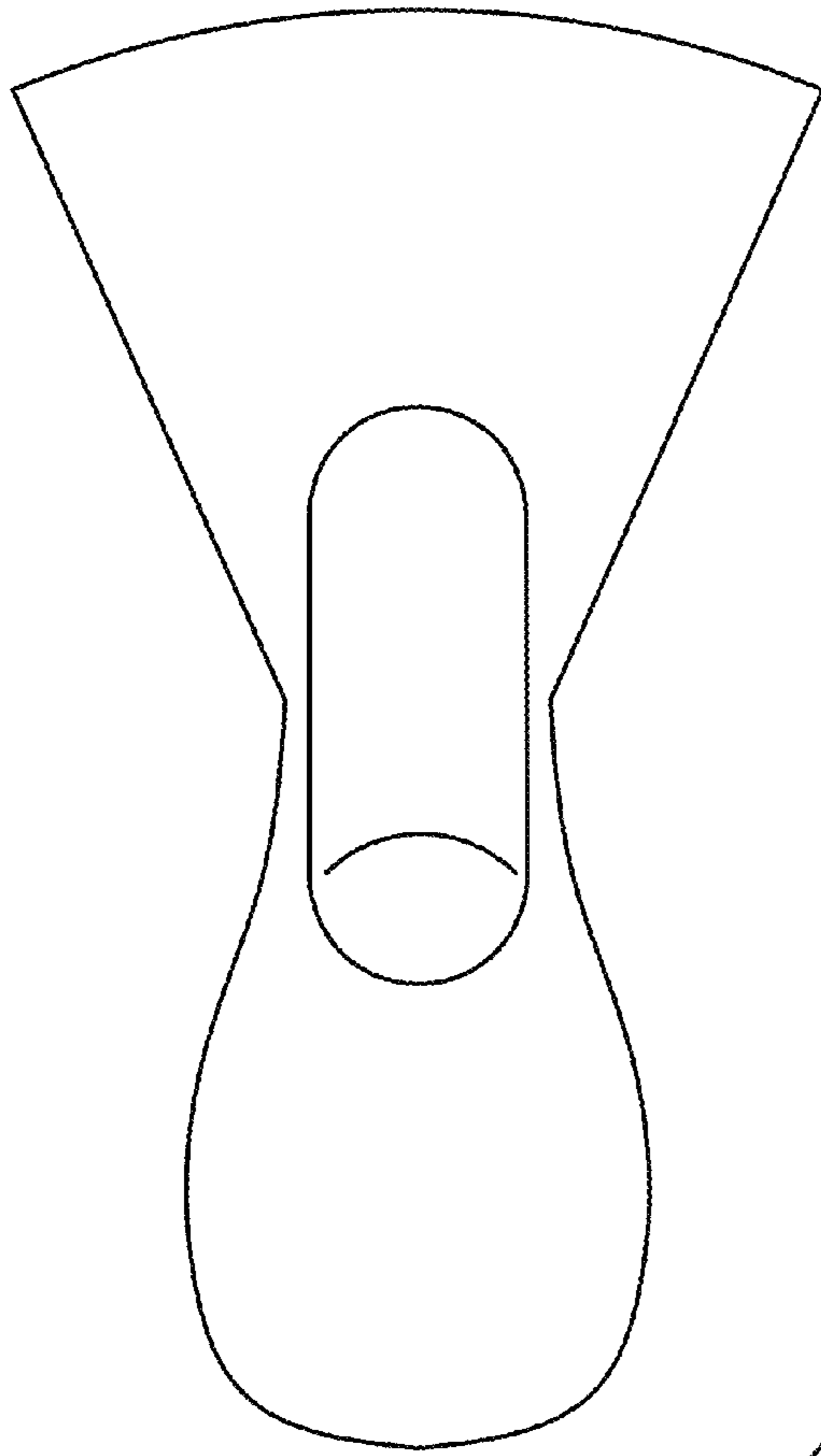


FIG - 7

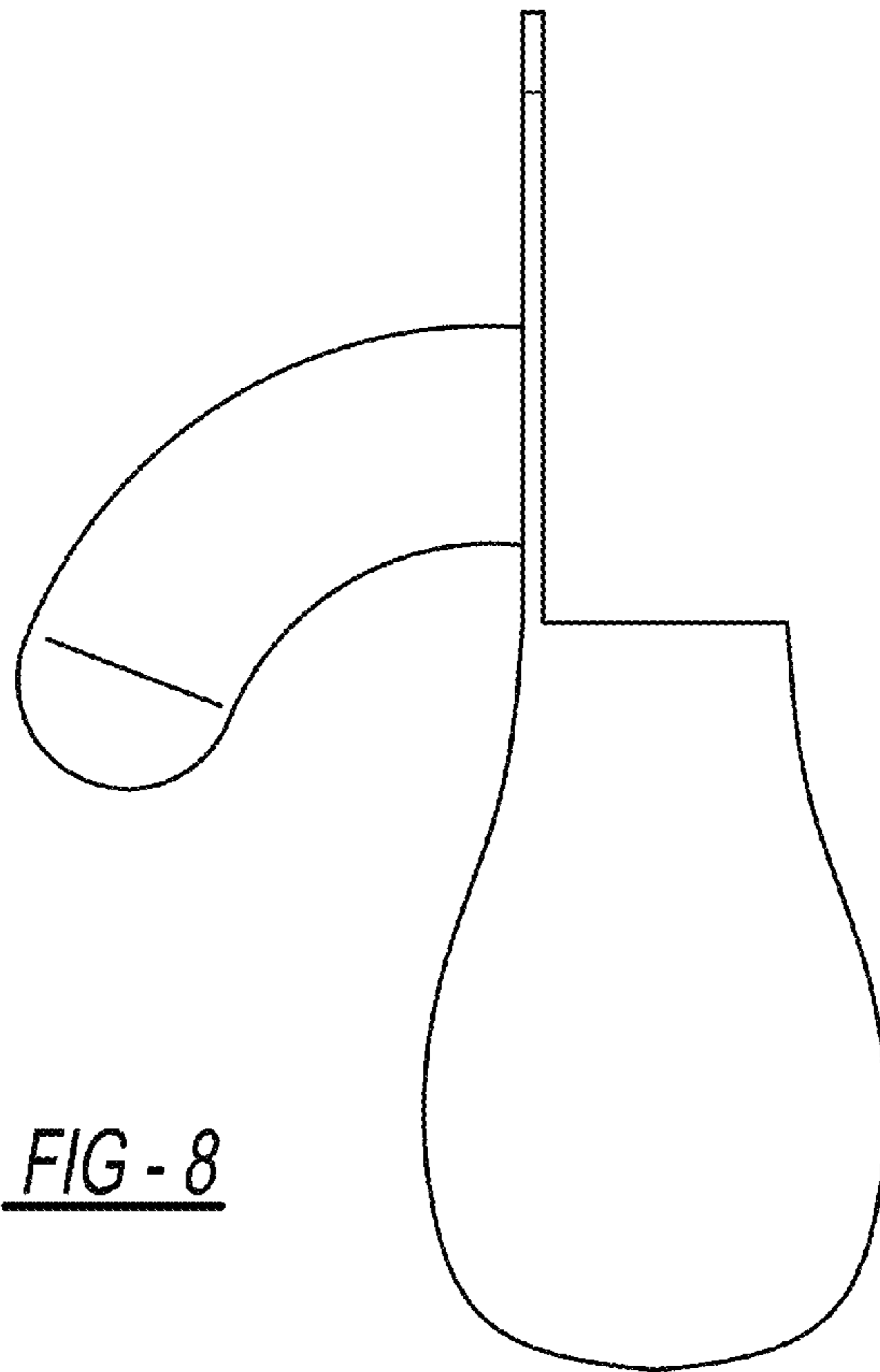


FIG - 8