



US00D716934S

(12) **United States Design Patent**
Hertreiter

(10) **Patent No.:** **US D716,934 S**
(45) **Date of Patent:** **** Nov. 4, 2014**

(54) **ONE-PIECE FAN HOUSING**

(71) Applicant: **ebm-papst Landshut GmbH**, Landshut (DE)

(72) Inventor: **Martin Hertreiter**, Loiching (DE)

(73) Assignee: **ebm-papst Landshut GmbH**, Landshut (DE)

(**) Term: **14 Years**

(21) Appl. No.: **29/447,889**

(22) Filed: **Mar. 7, 2013**

(30) **Foreign Application Priority Data**

Sep. 11, 2012 (EP) 002100305

(51) **LOC (10) CL.** **23-04**

(52) **U.S. CL.**
USPC **D23/411; D23/370; D23/365; D23/393**

(58) **Field of Classification Search**
CPC F04D 29/4426; F04D 29/4233; F04D 29/281; F04D 17/165; F01P 11/12; F01D 25/24

USPC D23/364, 365, 370-373, 376, 377, D23/381-387, 393, 399, 411-414, 499, D23/335; 415/108, 129-128, 196, 415/213.1-215.1; 416/93 R, 177, 189; 454/349, 354, 329; 55/481, 467, 492, 55/493, 385.1

See application file for complete search history.

(56) **References Cited**

U.S. PATENT DOCUMENTS

D181,608 S * 12/1957 Rowley D23/383
3,301,472 A * 1/1967 Dixon et al. 415/204

D257,060 S * 9/1980 Mann D23/393
4,548,548 A * 10/1985 Gray, III 416/189
D335,532 S * 5/1993 Lopez D23/383
5,564,513 A * 10/1996 Wible et al. 180/68.3
D376,640 S * 12/1996 Kloster D23/365
5,605,554 A * 2/1997 Kennedy 55/493
D404,122 S * 1/1999 Hayashi et al. D23/370
D437,043 S * 1/2001 Wettergren D23/370
D439,648 S * 3/2001 Jones et al. D23/370
6,217,627 B1 * 4/2001 Vyskocil et al. 55/492
6,398,512 B2 * 6/2002 Stewart 417/53
D460,546 S * 7/2002 Sjoberg D23/370
6,595,146 B2 * 7/2003 Gatley, Jr. 110/162
D481,116 S * 10/2003 Wang et al. D23/383
D491,259 S * 6/2004 Garrison et al. D23/383

(Continued)

Primary Examiner — Susan Bennett Hattan

Assistant Examiner — Marie Fast Horse

(74) *Attorney, Agent, or Firm* — Harness, Dickey & Pierce, P.L.C.

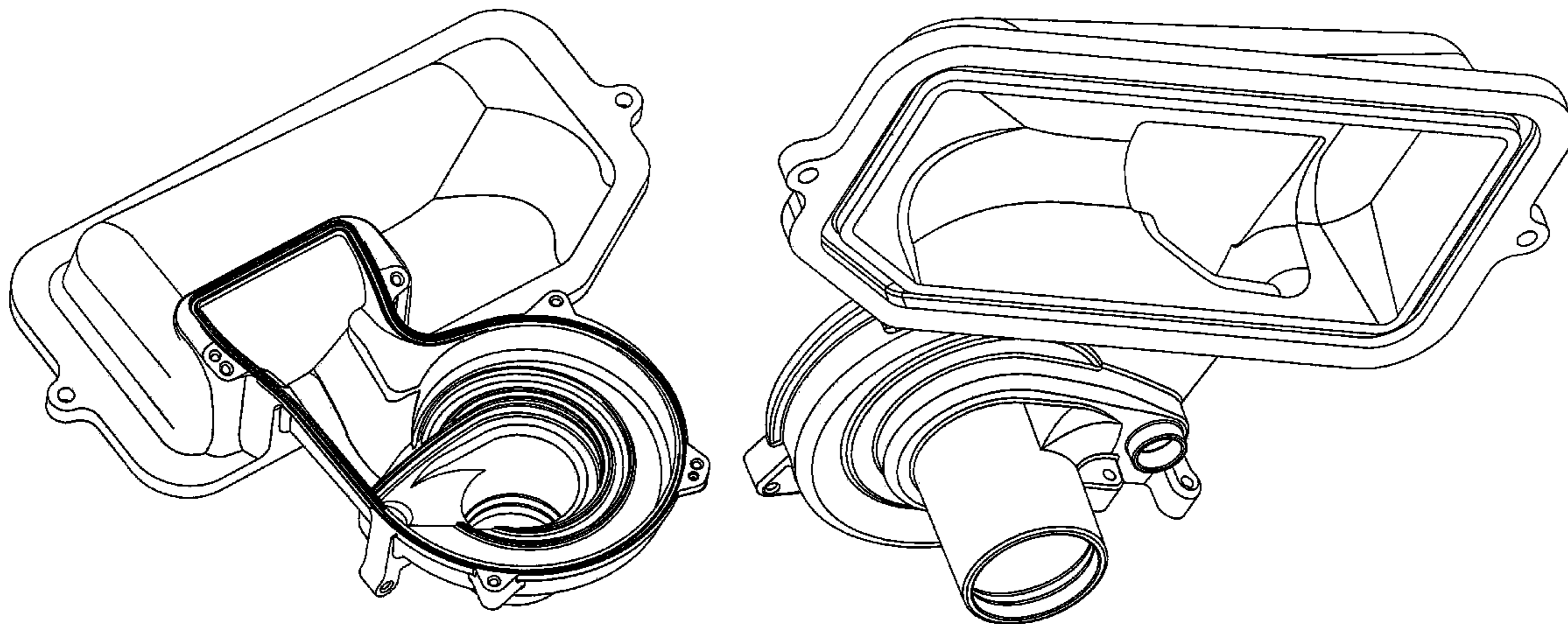
(57) **CLAIM**

The ornamental design for a one-piece fan housing, as shown.

DESCRIPTION

FIG. 1 is a top perspective view of a one-piece fan housing; FIG. 2 is a bottom perspective view of the one-piece fan housing of FIG. 1; FIG. 3 is a bottom view of the one-piece fan housing of FIG. 1; FIG. 4 is a top view of the one-piece fan housing of FIG. 1; FIG. 5 is a side view of the one-piece fan housing of FIG. 1; FIG. 6 is a side view from the opposite side compared to FIG. 5; FIG. 7 is a front side view of the one-piece fan housing of FIG. 1; and FIG. 8 is a rear side view of the one-piece fan housing of FIG. 1.

1 Claim, 6 Drawing Sheets



(56)

References Cited

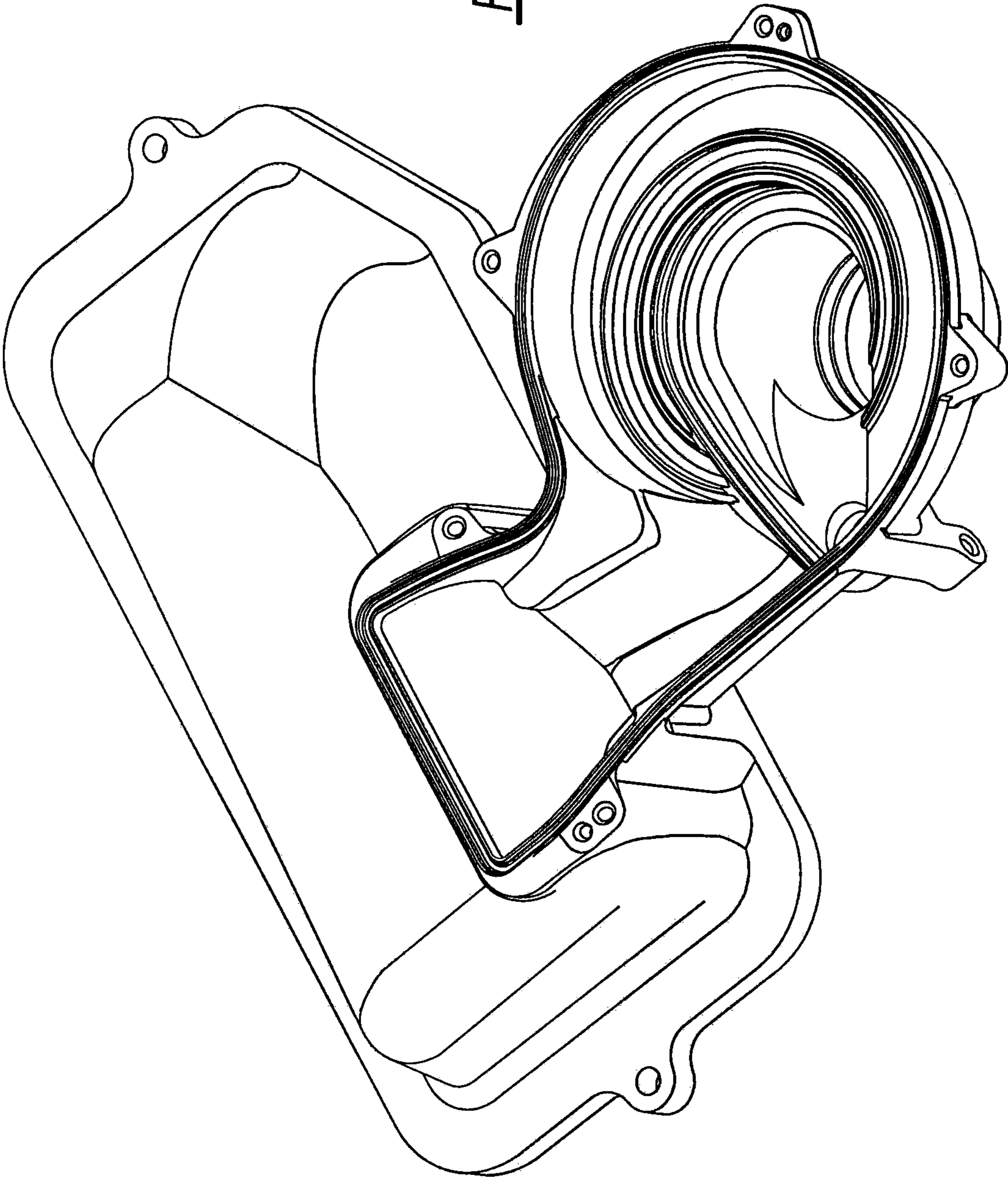
U.S. PATENT DOCUMENTS

6,827,560 B2 * 12/2004 Gatley et al. 417/423.14
6,908,281 B2 * 6/2005 Lyons et al. 415/206
7,052,271 B2 * 5/2006 Brown et al. 431/20
D537,518 S * 2/2007 Teufel D23/383
D593,190 S * 5/2009 Glass D23/365
D625,799 S * 10/2010 Salisbury et al. D23/370
D631,150 S * 1/2011 Eimer et al. D23/411
D701,299 S * 3/2014 Oba D23/370

D703,803 S * 4/2014 Williams et al. D23/365
2002/0023575 A1 * 2/2002 Gatley, Jr. 110/182
2002/0025252 A1 * 2/2002 Gatley, Jr. 415/204
2004/0219013 A1 * 11/2004 Hopfensperger 415/206
2004/0240994 A1 * 12/2004 Cole et al. 415/215.1
2006/0051205 A1 * 3/2006 Platz 415/206
2007/0041831 A1 * 2/2007 Bartlett 415/206
2012/0317939 A1 * 12/2012 Kaufmann et al. 55/385.1
2013/0143481 A1 * 6/2013 Kagawa et al. 454/354
2013/0272851 A1 * 10/2013 Cox 415/118

* cited by examiner

FIG - 1



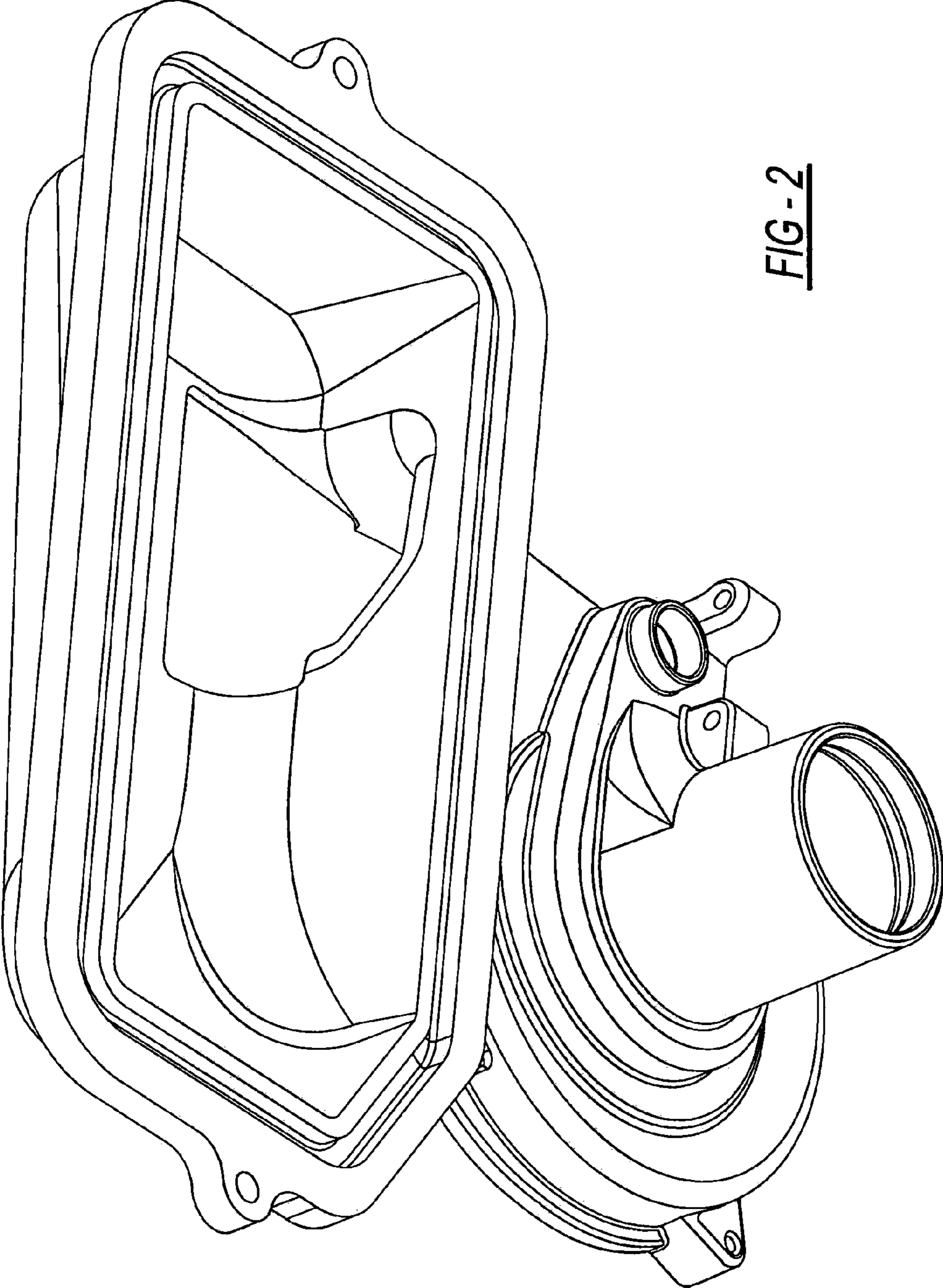


FIG - 2

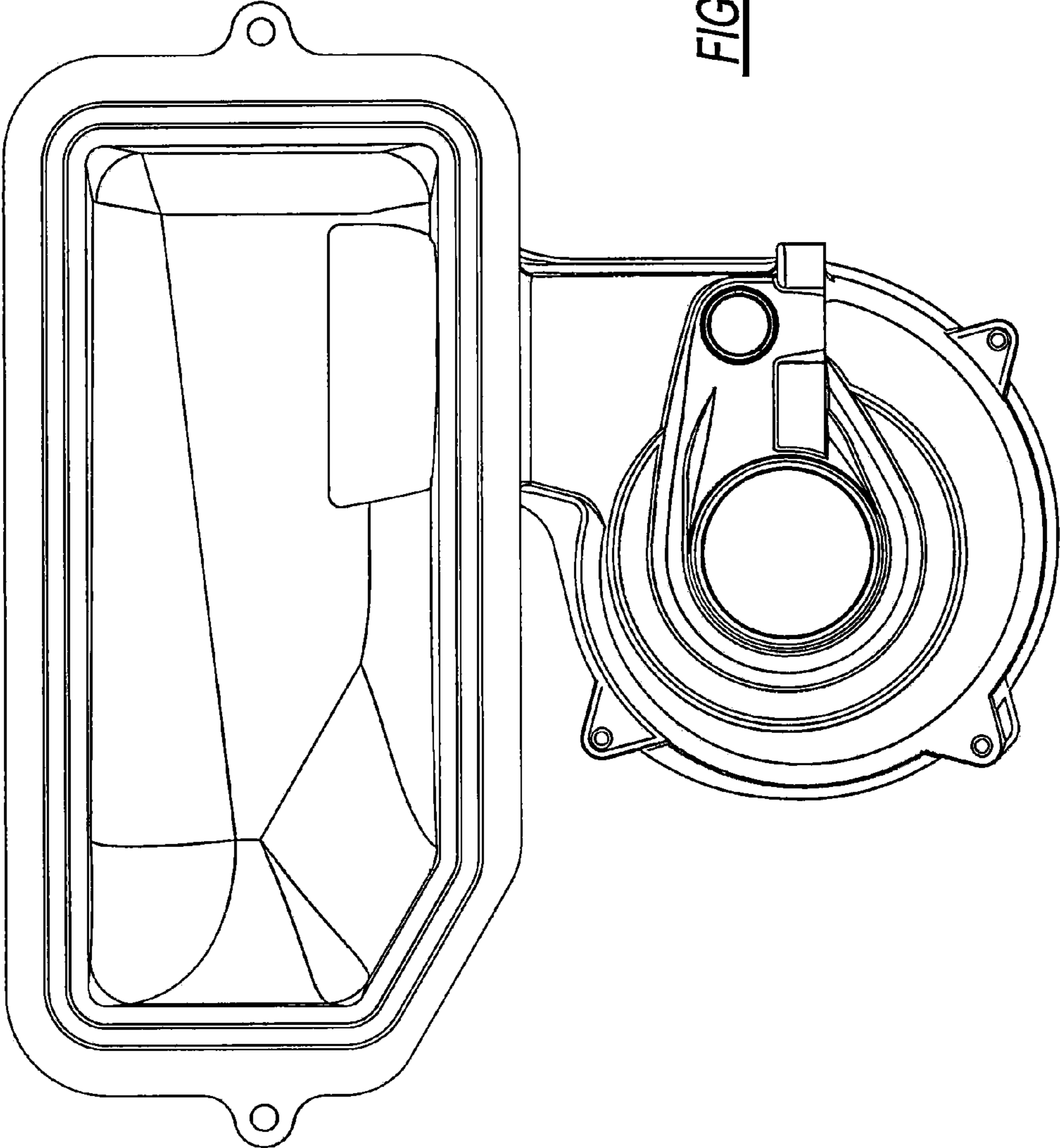
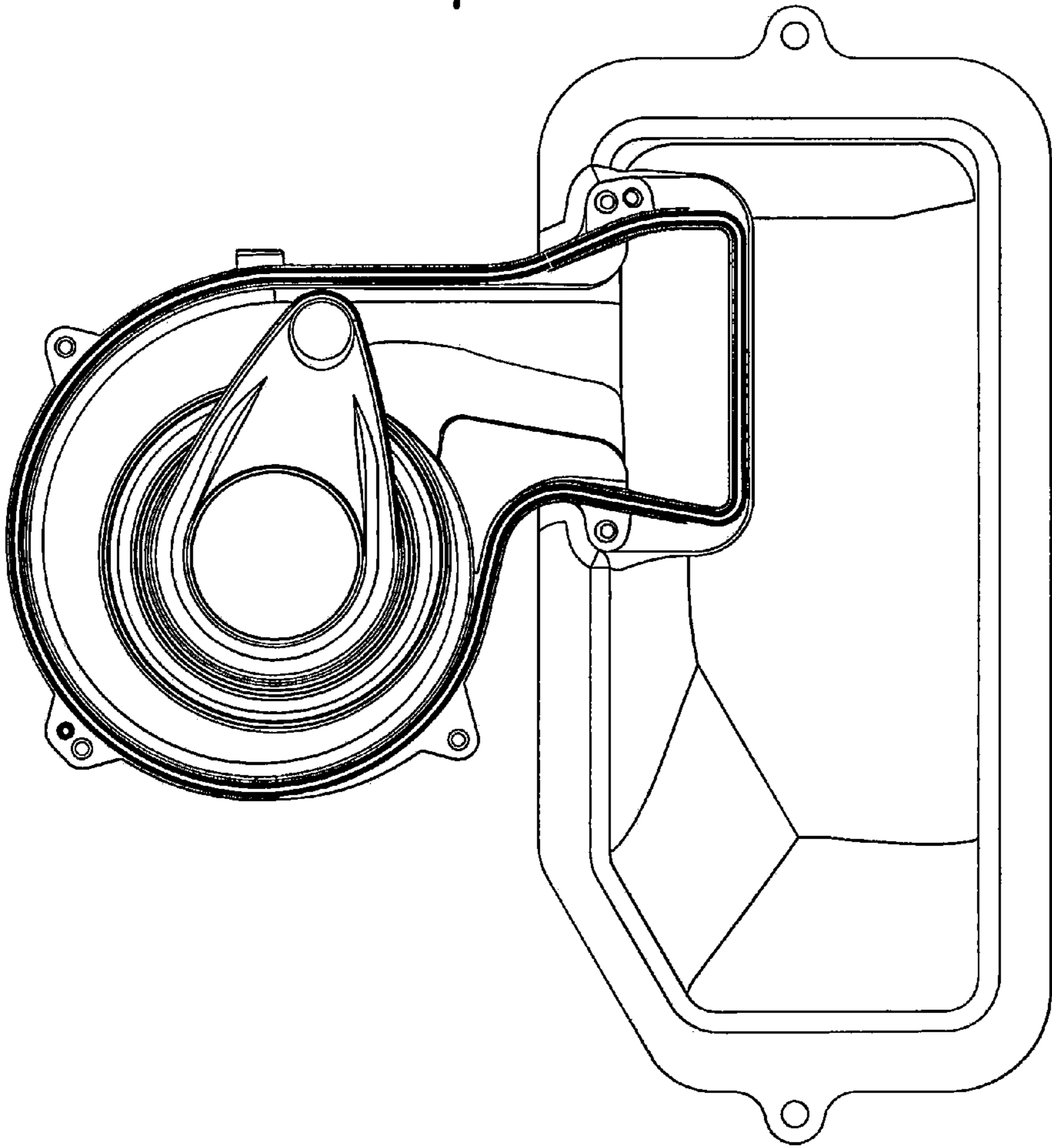


FIG - 3

FIG - 4



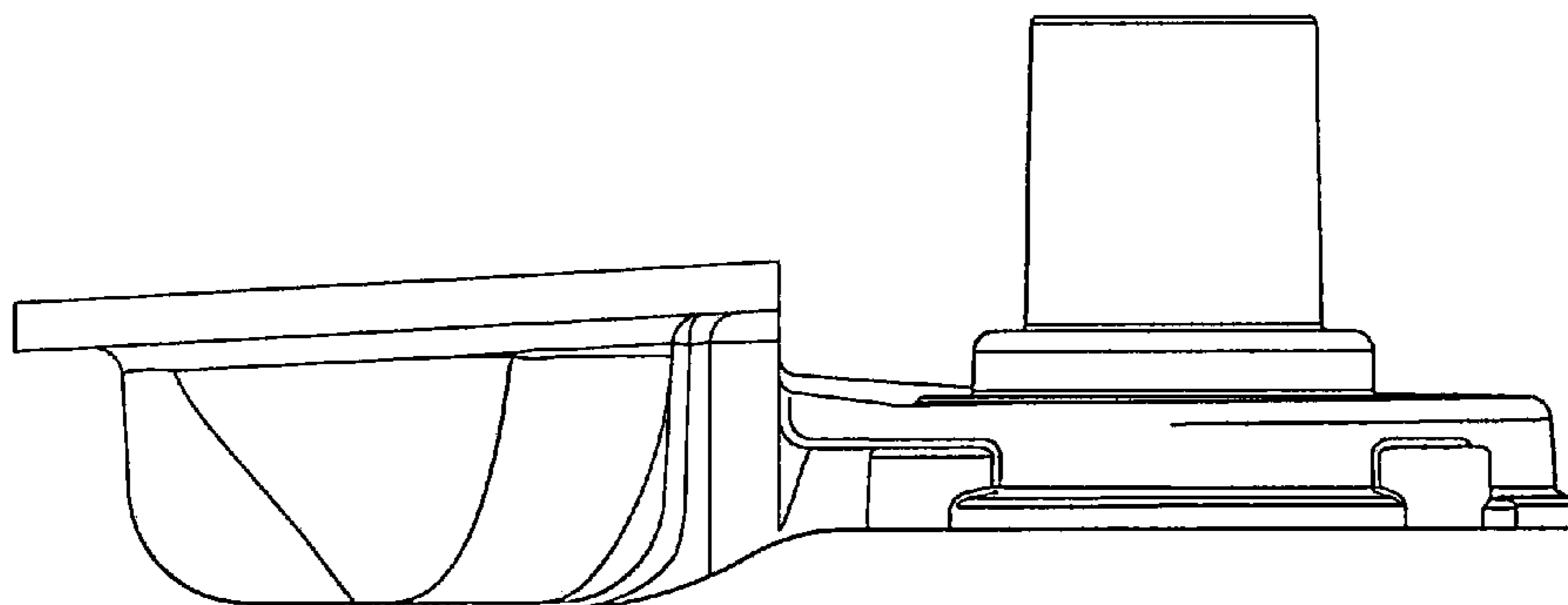


FIG - 5

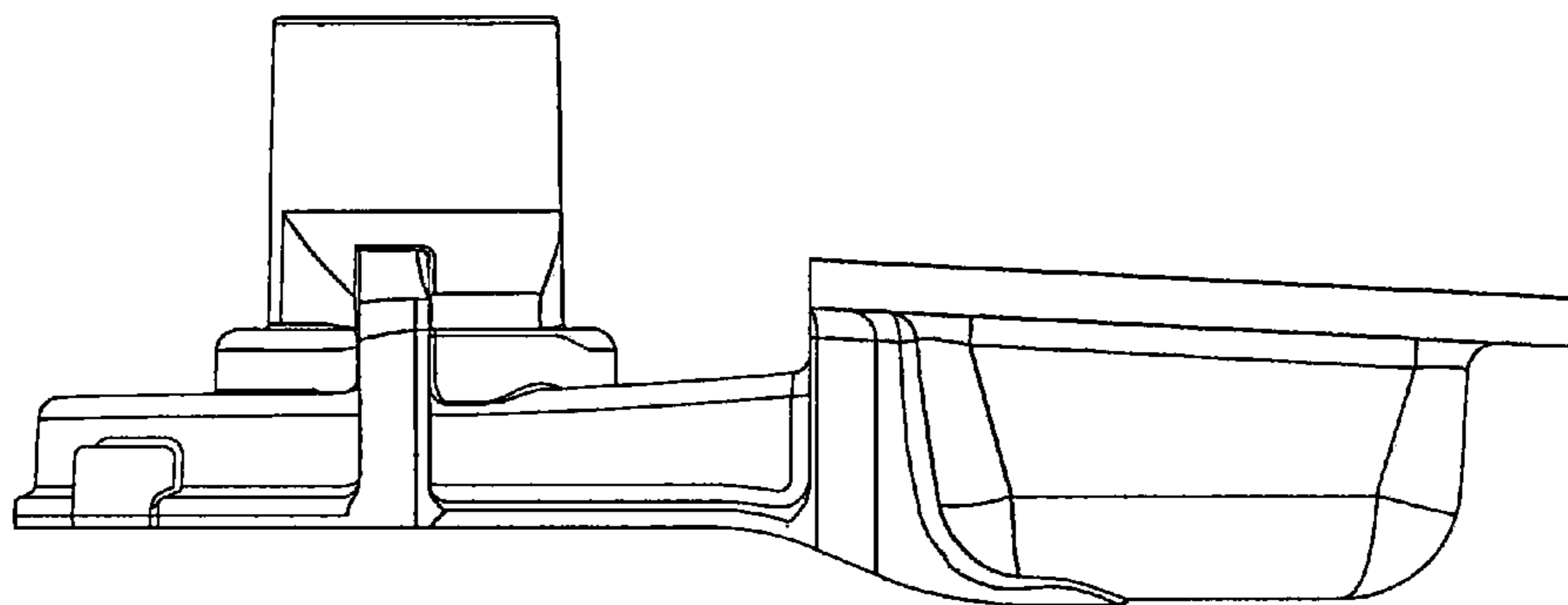


FIG - 6

