



US00D716931S

(12) **United States Design Patent**  
**Jobling et al.**

(10) **Patent No.:** **US D716,931 S**

(45) **Date of Patent:** **\*\* Nov. 4, 2014**

(54) **CONTAINERIZED ROTARY KILN DRYER  
MODULE**

(71) Applicant: **Adelaide Control Engineers Pty Ltd.**,  
Regency Park (AU)

(72) Inventors: **Glenn Jobling**, Regency Park (AU);  
**Robert Smith**, West Lake Shores (AU)

(73) Assignee: **Adelaide Control Engineers Pty Ltd.**,  
Regency Park (AU)

(\*\*) Term: **14 Years**

(21) Appl. No.: **29/440,520**

(22) Filed: **Dec. 21, 2012**

(30) **Foreign Application Priority Data**

Jun. 26, 2012 (AU) ..... 12987/2012

(51) **LOC (10) Cl.** ..... **23-04**

(52) **U.S. Cl.**  
USPC ..... **D23/386**

(58) **Field of Classification Search**  
USPC ..... D23/385-395, 397, 370-373, 365, 354,  
D23/399-403, 421, 499; 454/309, 275-277,  
454/284, 287-291, 358-363; 52/302.1,  
52/32.07; 285/229, 189, 183, 123.1, 15,  
285/114, 110, 424, 197; D15/145; 202/218  
See application file for complete search history.

(56) **References Cited**

**U.S. PATENT DOCUMENTS**

2,078,333 A \* 4/1937 Lloyd et al. .... 202/218  
4,344,821 A \* 8/1982 Angelo, II ..... 202/218

4,439,209 A \* 3/1984 Wilwerding et al. .... 202/218  
5,082,534 A \* 1/1992 Breu ..... 202/218  
6,849,160 B2 \* 2/2005 Rousseau ..... 202/218  
7,594,978 B2 \* 9/2009 Brecher et al. .... 202/218  
D629,432 S \* 12/2010 Herzog ..... D15/145  
D630,658 S \* 1/2011 Sims ..... D15/145  
8,323,369 B2 \* 12/2012 Robertson ..... 202/218  
8,340,825 B2 \* 12/2012 Ledung et al. .... 202/218  
8,350,105 B2 \* 1/2013 Taylor ..... 202/218  
D686,263 S \* 7/2013 Sunter et al. .... D15/145  
D698,836 S \* 2/2014 Rim et al. .... D15/145

\* cited by examiner

*Primary Examiner* — David Muller

(74) *Attorney, Agent, or Firm* — Nixon Peabody LLP;  
Jeffrey L. Costellia

(57) **CLAIM**

The ornamental design for a containerized rotary kiln dryer  
module, as shown and described.

**DESCRIPTION**

FIG. 1 is a front view of a containerized rotary kiln dryer  
module according to an embodiment of the invention;  
FIG. 2 is a rear elevation view thereof;  
FIG. 3 is a left side elevation view thereof;  
FIG. 4 is a right side elevation view thereof;  
FIG. 5 is a top plan view thereof;  
FIG. 6 is an isometric front right view thereof;  
FIG. 7 is an isometric front left view thereof;  
FIG. 8 is an isometric back right view thereof; and,  
FIG. 9 is an isometric back left view thereof.

The broken lines showing the general outline of the container  
in FIGS. 1 to 9 illustrate portions of the design that form no  
part of the claim.

**1 Claim, 8 Drawing Sheets**

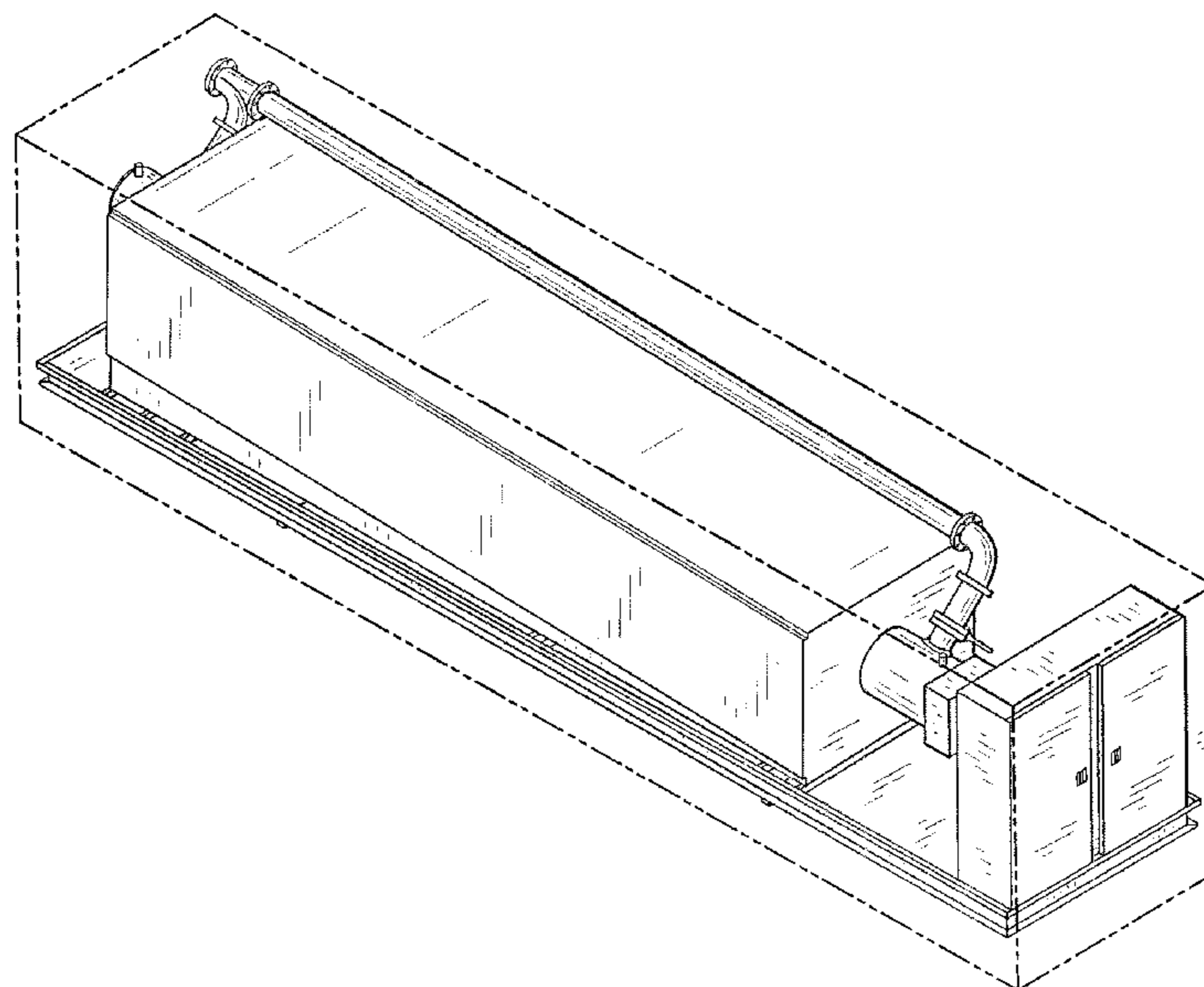


FIG. 1

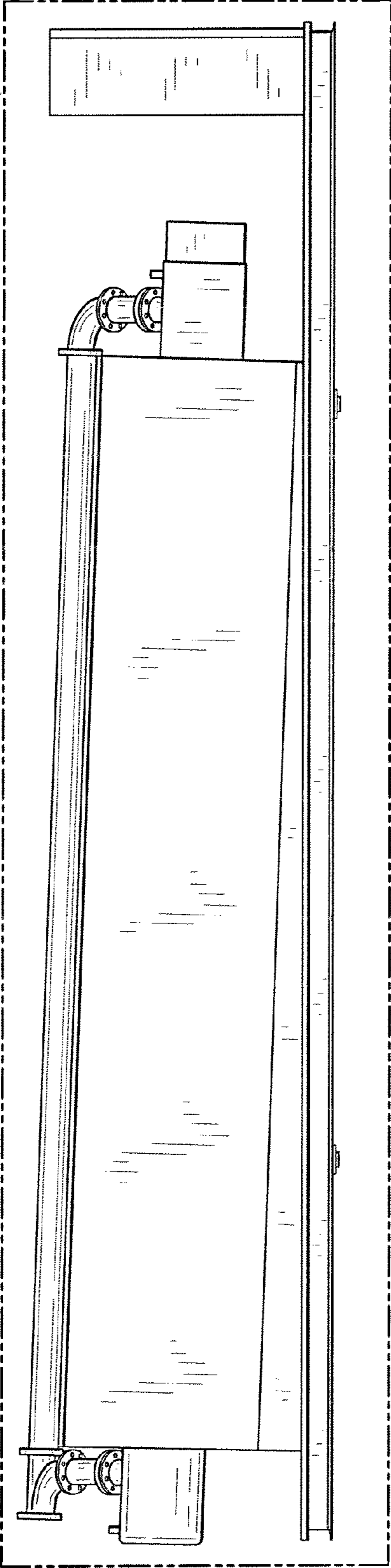


FIG. 2

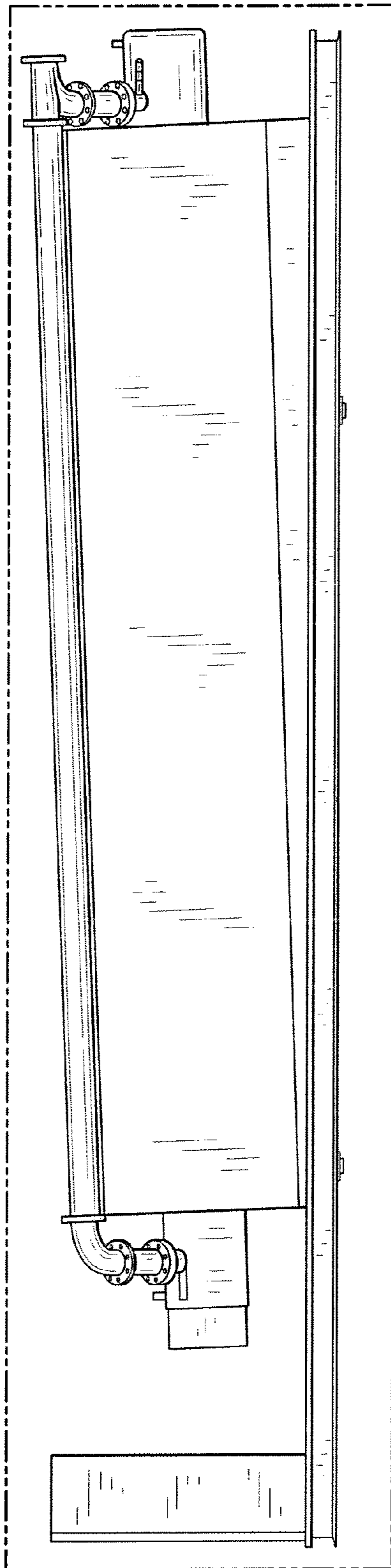


FIG. 4

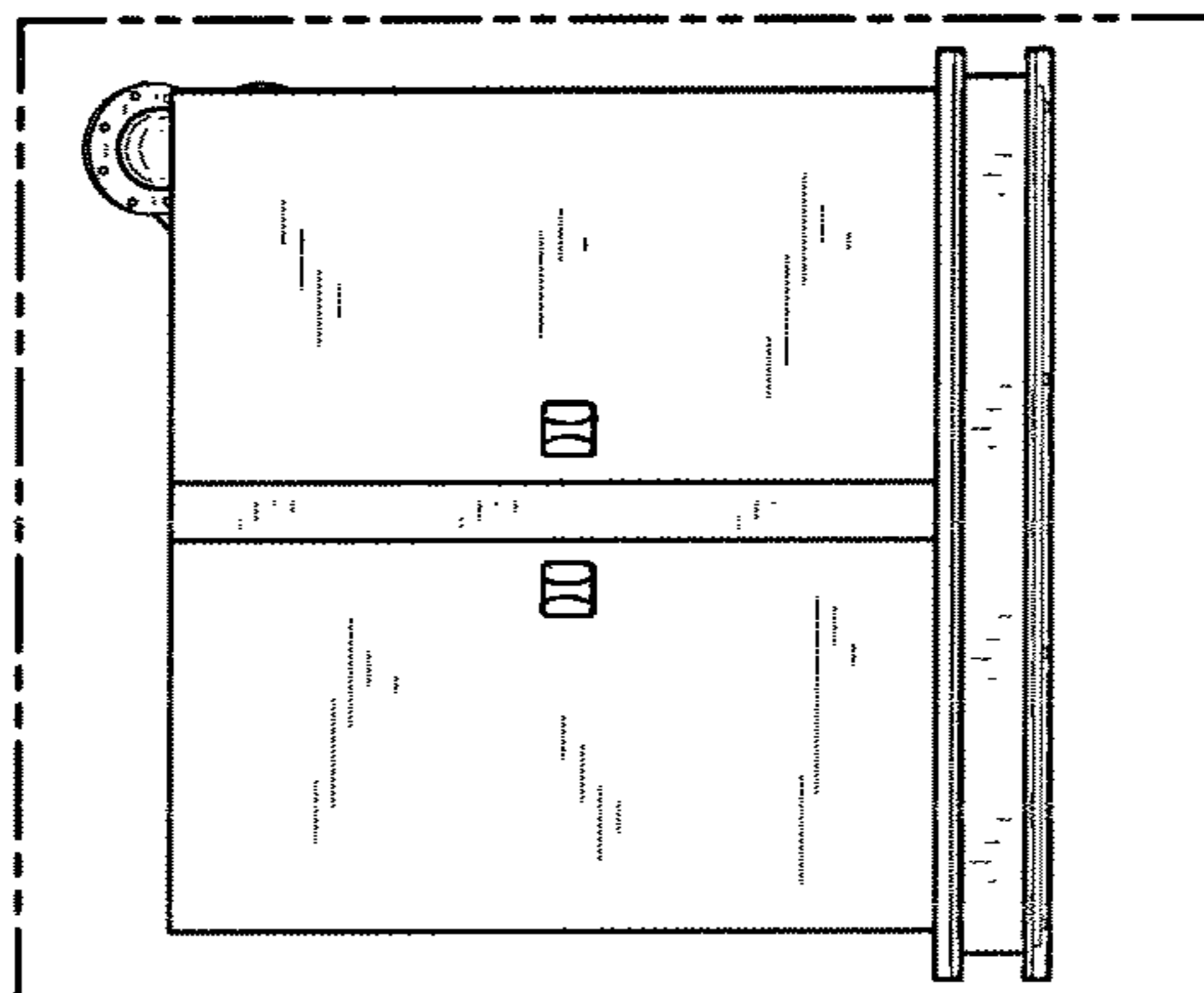


FIG. 3

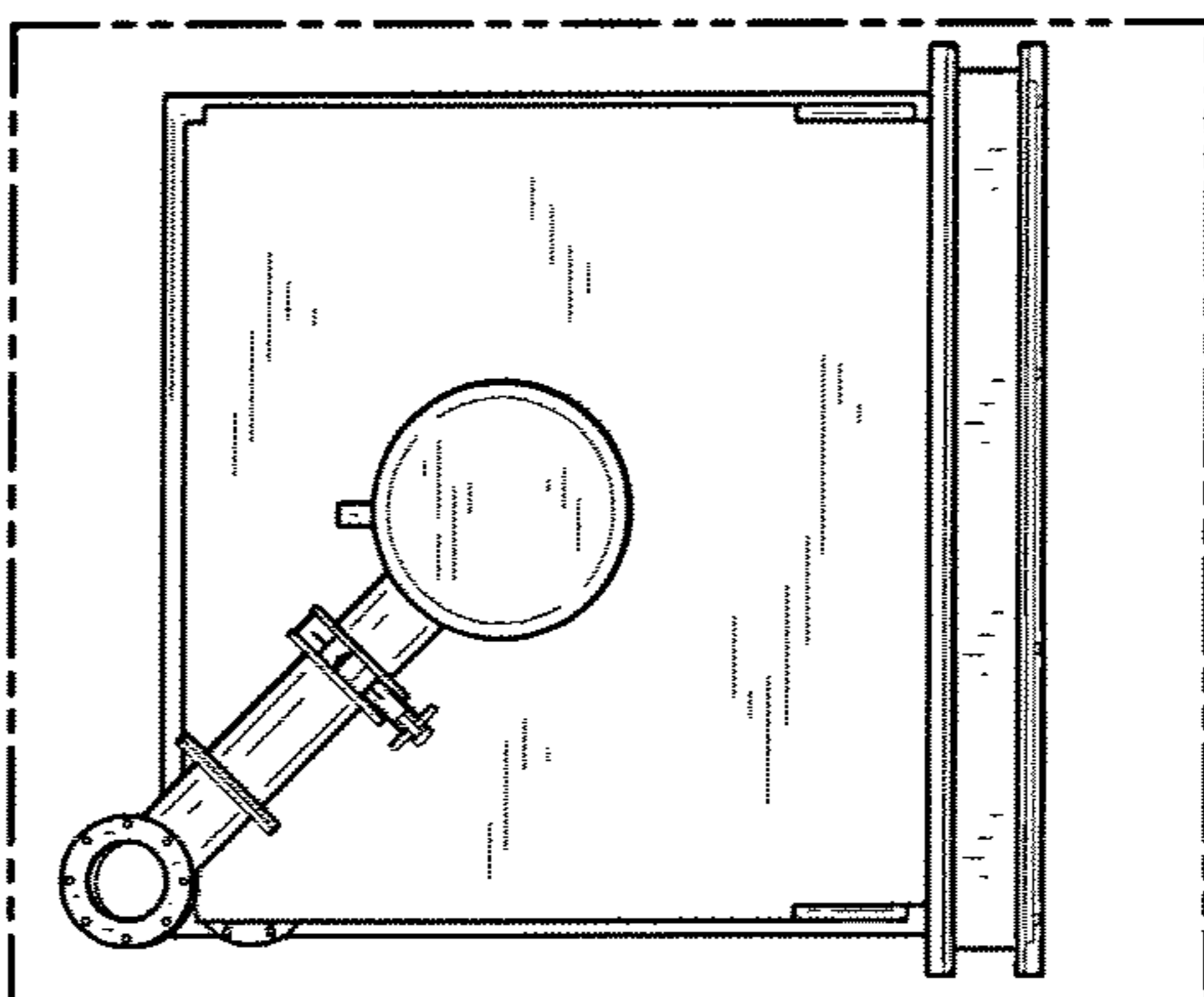


FIG. 5

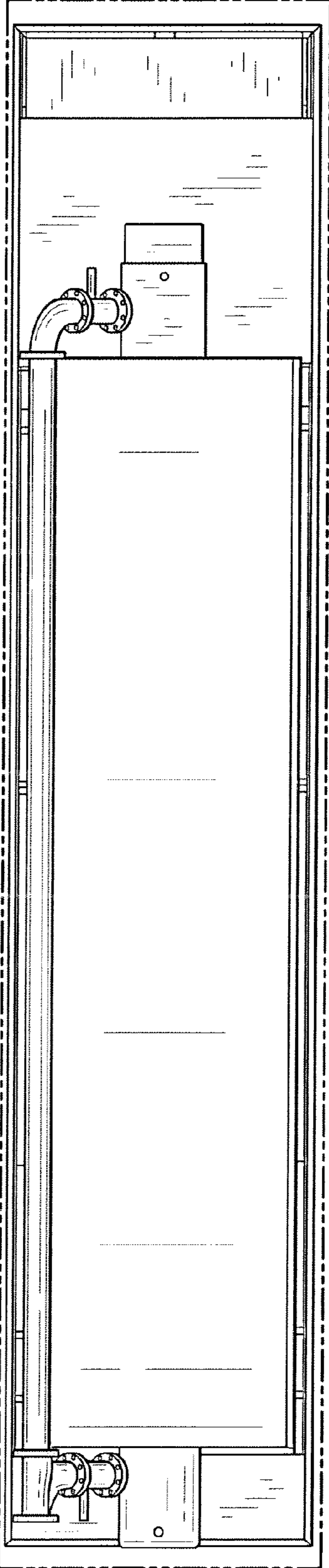


FIG. 6

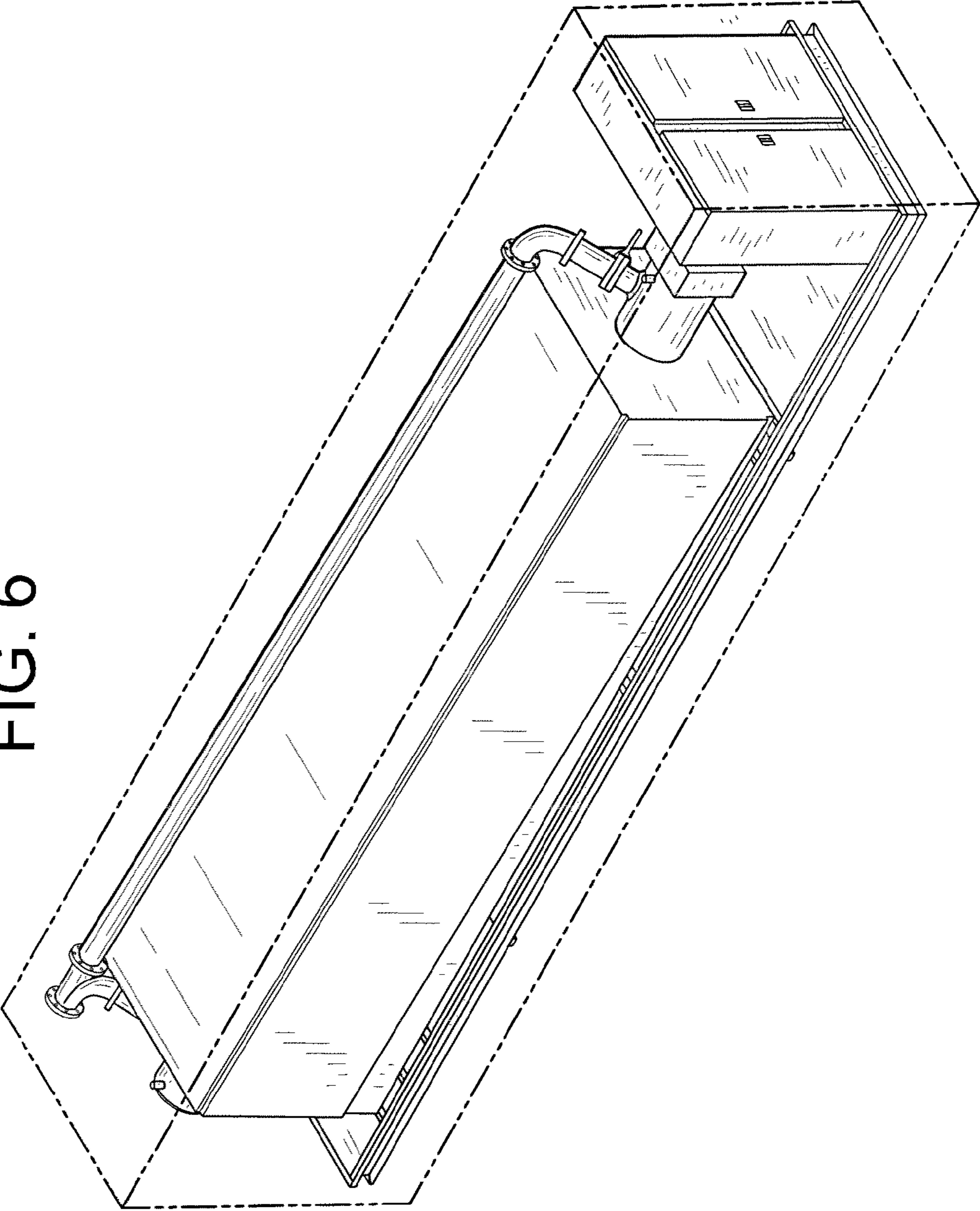
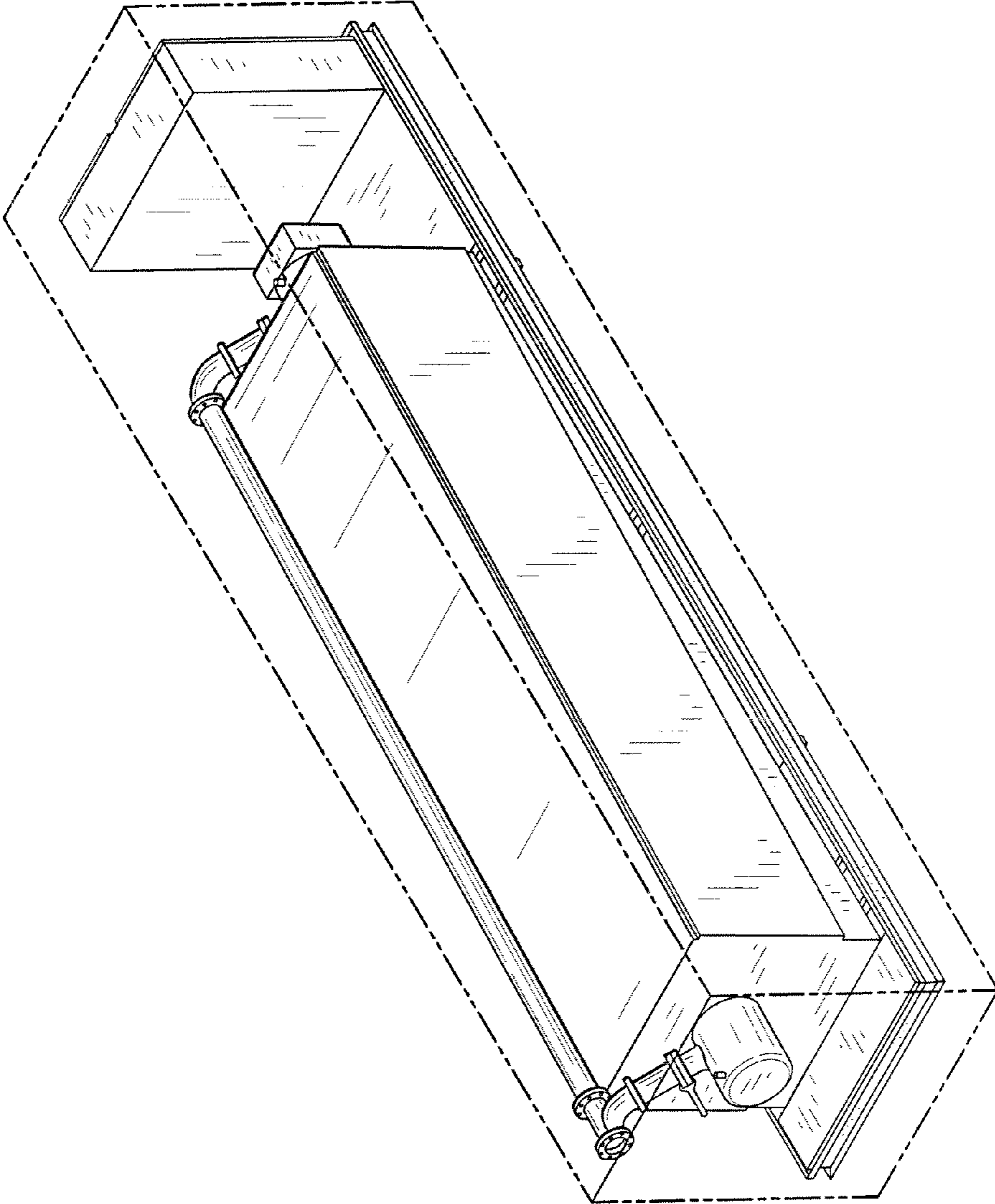


FIG. 7



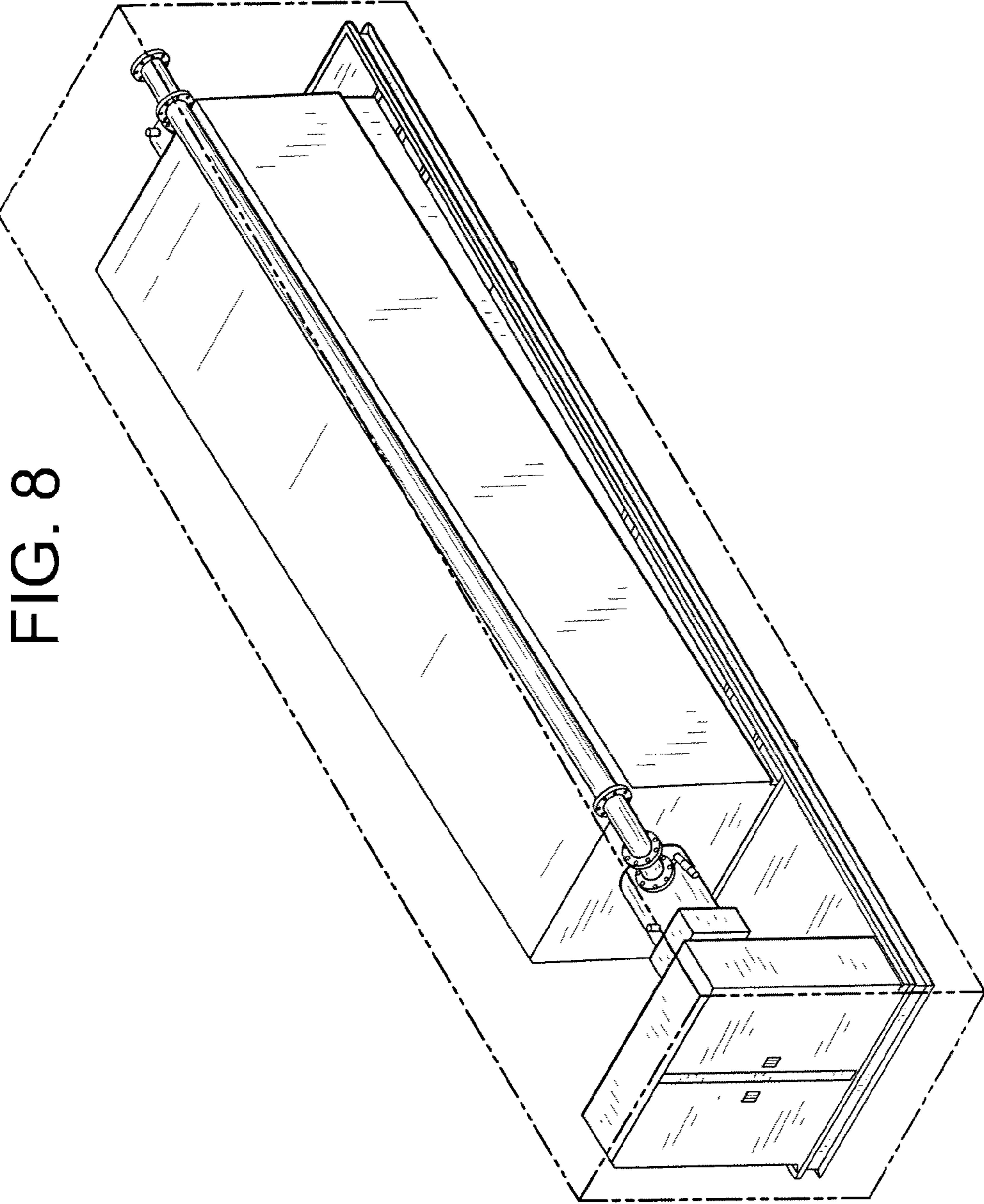


FIG. 8



FIG. 9

