



US00D716930S

(12) **United States Design Patent**
Ramaker et al.

(10) **Patent No.:** **US D716,930 S**

(45) **Date of Patent:** **** Nov. 4, 2014**

(54) **AIR FRESHENER CASE**

(56) **References Cited**

(71) Applicant: **Smith Mountain Industries, Inc.**,
Forest, VA (US)

(72) Inventors: **Jim Ramaker**, Moneta, VA (US);
Neohni Warner, Forest, VA (US);
Lorene Robinson, Lynchburg, VA (US);
Jennifer Choate, Lynchburg, VA (US)

U.S. PATENT DOCUMENTS

5,603,455 A *	2/1997	Lin	239/44
D529,162 S *	9/2006	Bulsink	D23/366
D532,893 S *	11/2006	Wu	D23/366
D551,333 S *	9/2007	Wu	D23/366
D628,284 S *	11/2010	Ko et al.	D23/366
D660,407 S *	5/2012	Tebe Poves et al.	D23/366
2011/0036922 A1 *	2/2011	Bulsink	239/47

* cited by examiner

(73) Assignee: **Smith Mountain Industries, Inc.**,
Forest, VA (US)

Primary Examiner — Sandra Snapp
(74) *Attorney, Agent, or Firm* — Frost Brown Todd LLC

(**) Term: **14 Years**

(57) **CLAIM**
The ornamental design for an air freshener case, as shown and described.

(21) Appl. No.: **29/462,717**

DESCRIPTION

(22) Filed: **Aug. 7, 2013**

(51) **LOC (10) Cl.** **28-99**

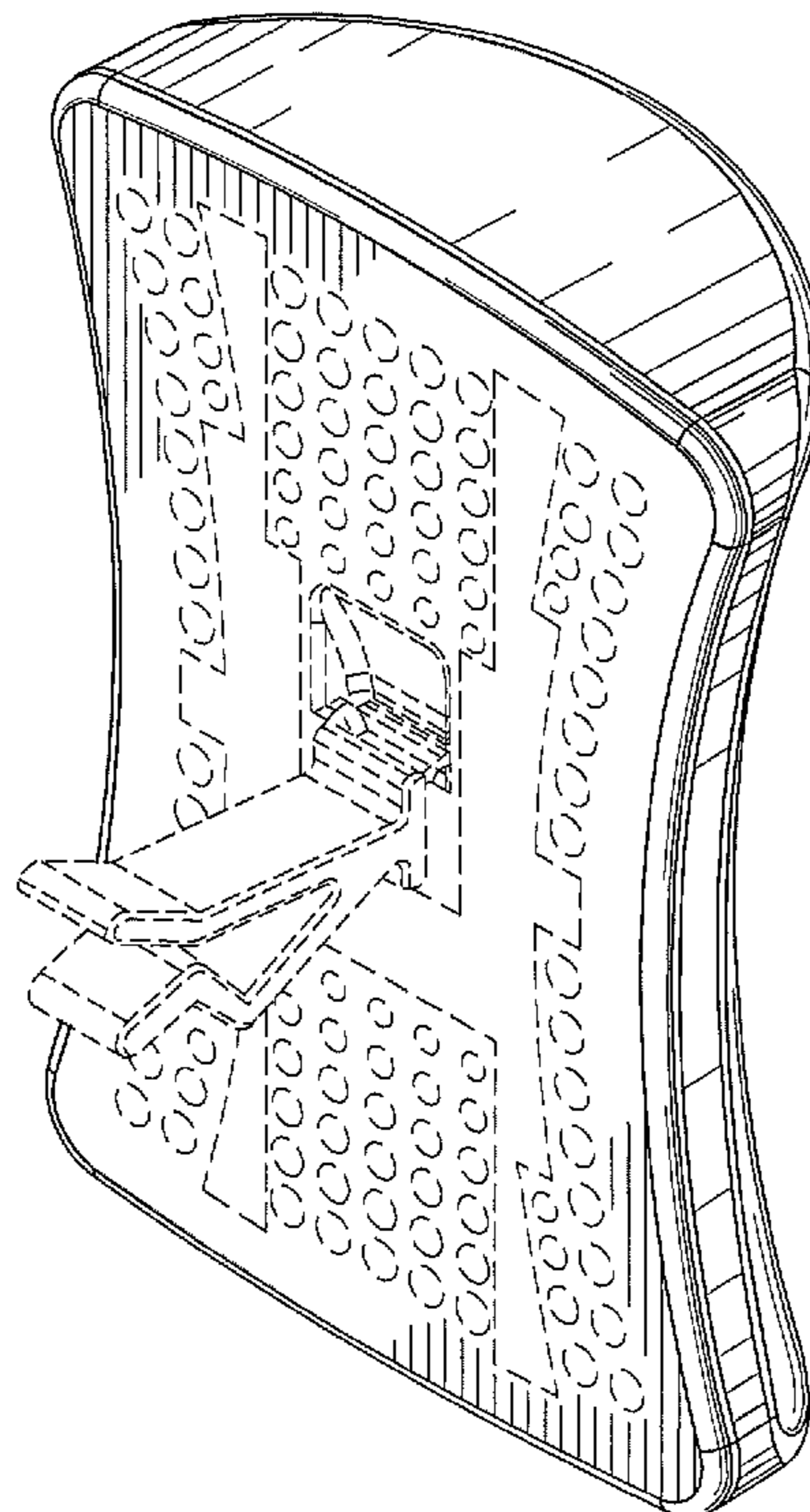
(52) **U.S. Cl.**
USPC **D23/368**

(58) **Field of Classification Search**
USPC D23/355–369; D28/5, 6; 261/DIG. 17,
261/DIG. 42, DIG. 65, DIG. 88, DIG. 89;
392/386, 390, 394, 395; 239/34, 44,
239/53, 55, 56, 326; D26/14, 17, 98, 9, 22,
D26/24; D11/131.1; D7/509, 522, 524, 537

FIG. 1 is a perspective view of an embodiment of an air freshener case showing our new design.
FIG. 2 is a rear view thereof.
FIG. 3 is a front view thereof.
FIG. 4 is a side view thereof, the opposite side view being a mirror image thereof.
FIG. 5 is top view thereof; and,
FIG. 6 is a bottom view thereof.
The broken lines in the drawings are included for purposes of illustrating portions of the air freshener case that form no part of the claimed design.
The claimed device is used as an air freshener case that holds an air freshener and attaches to a register of a vehicle.

See application file for complete search history.

1 Claim, 6 Drawing Sheets



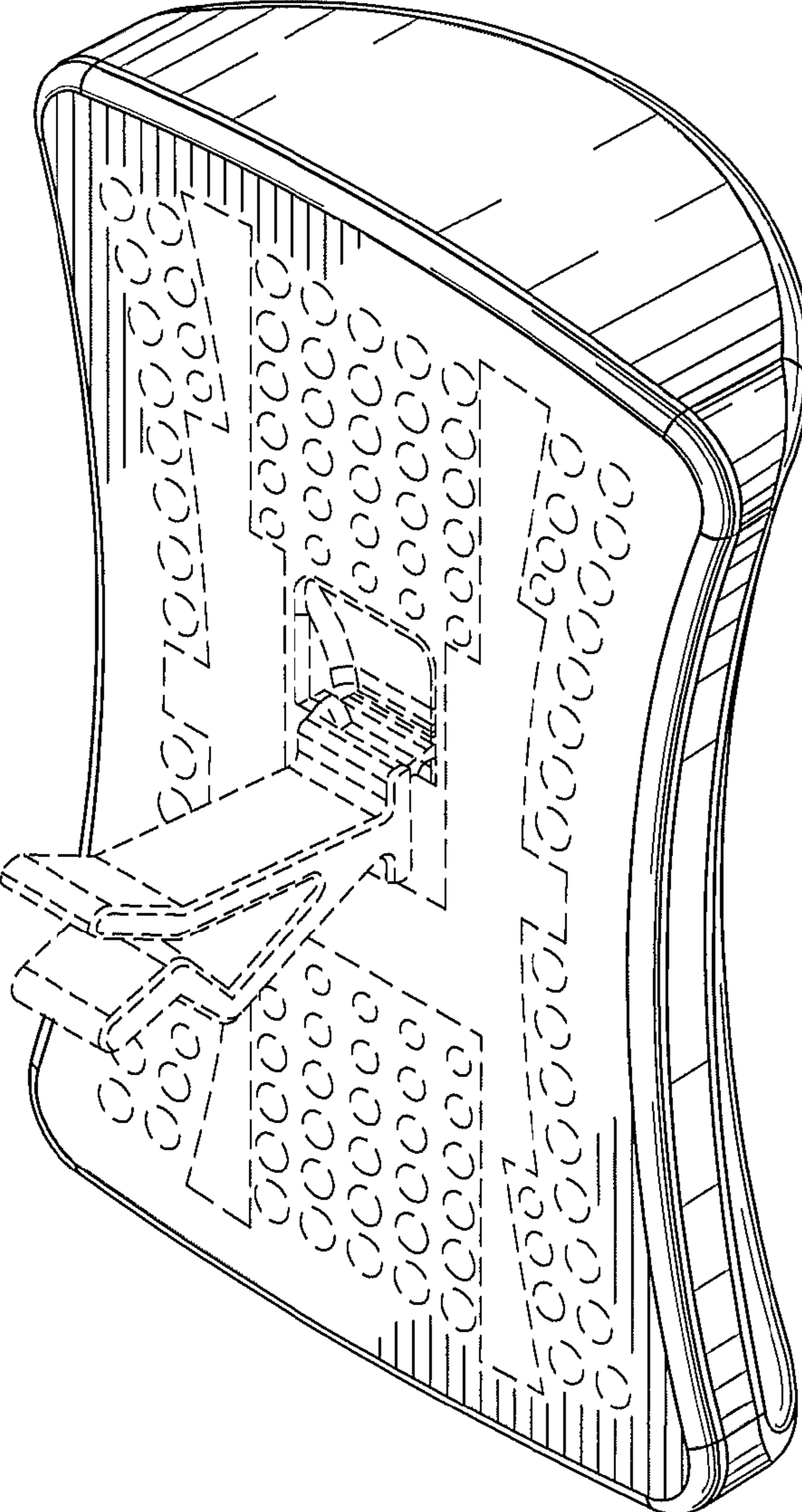


Fig. 1

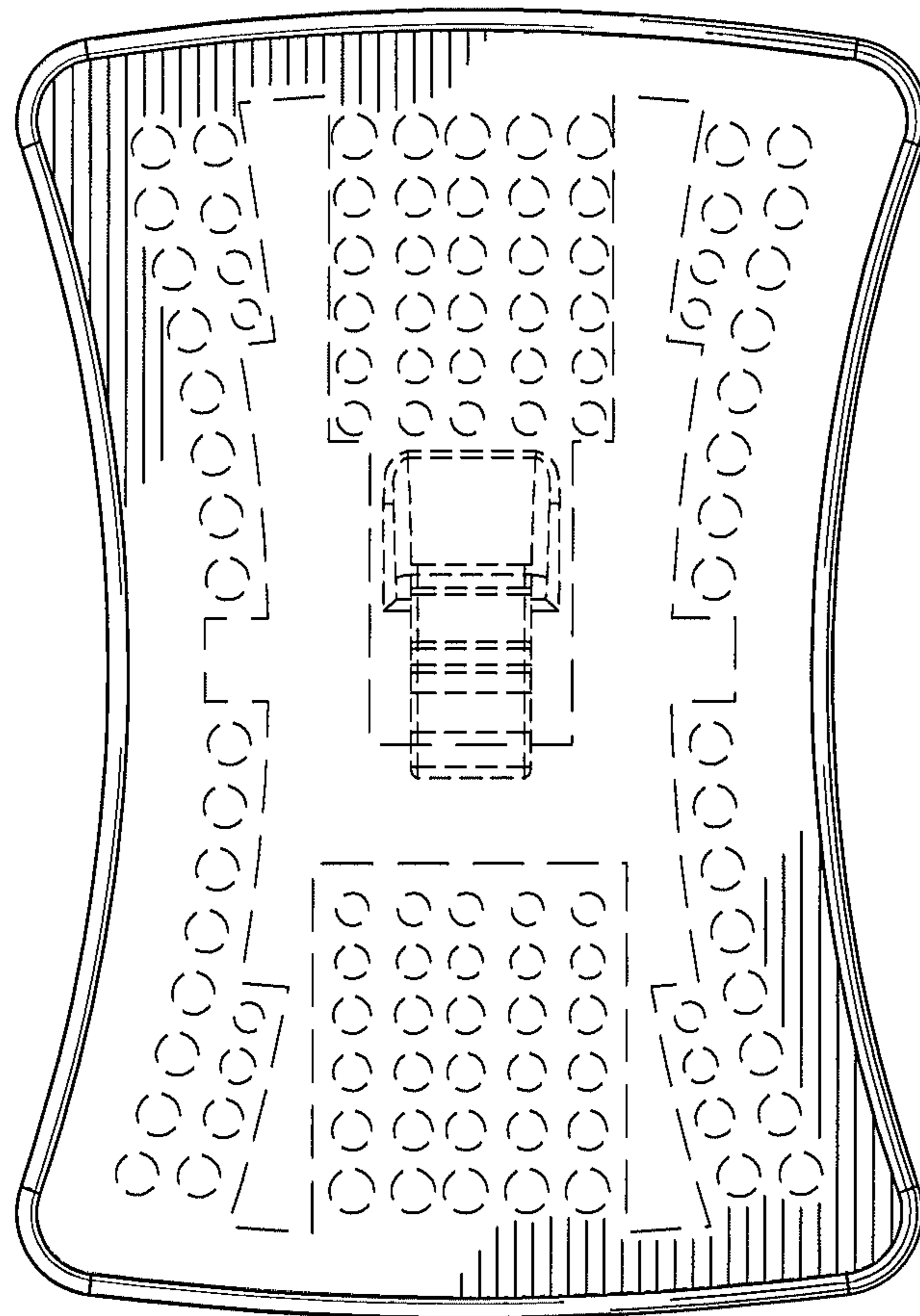


Fig.2

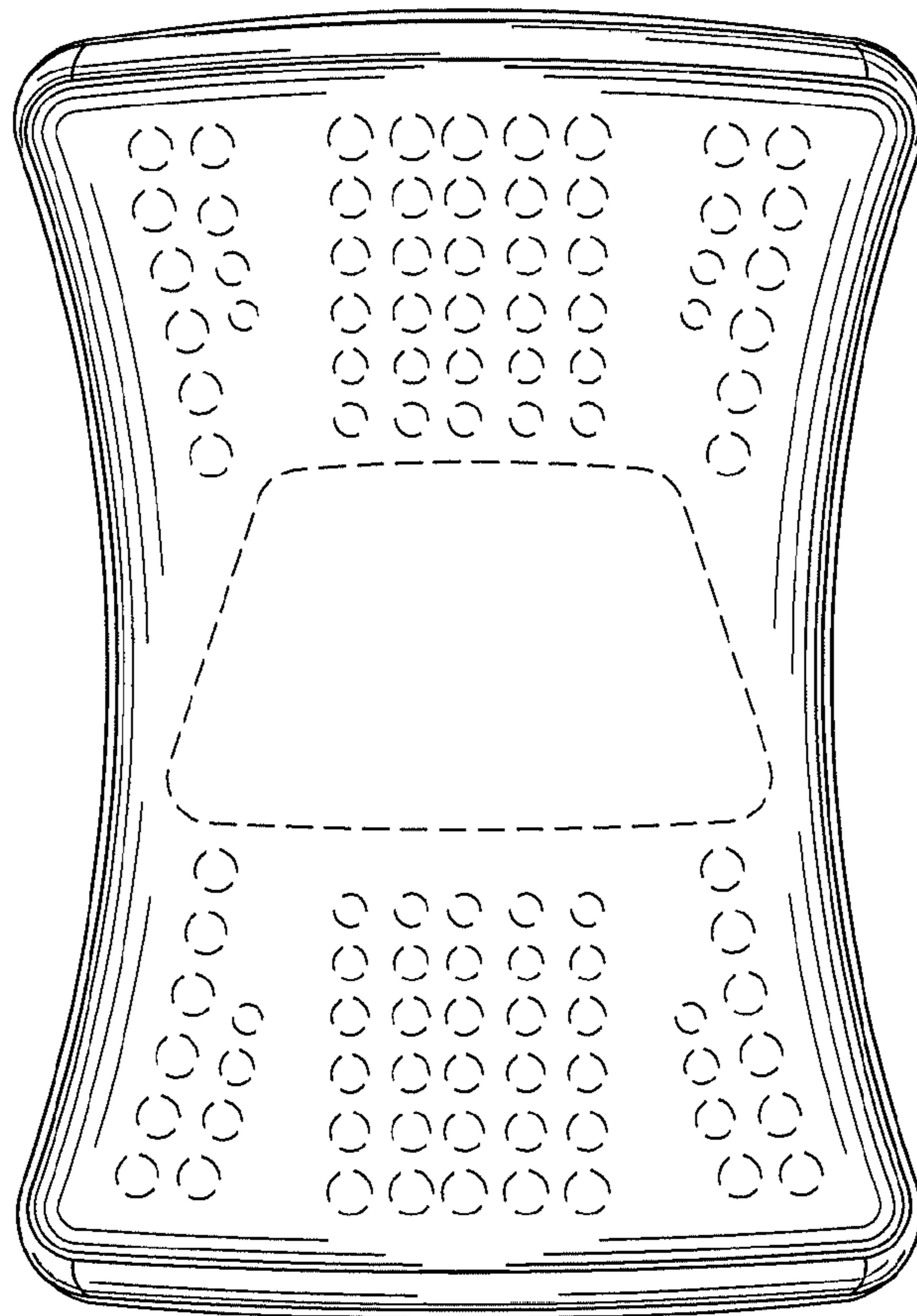


Fig.3

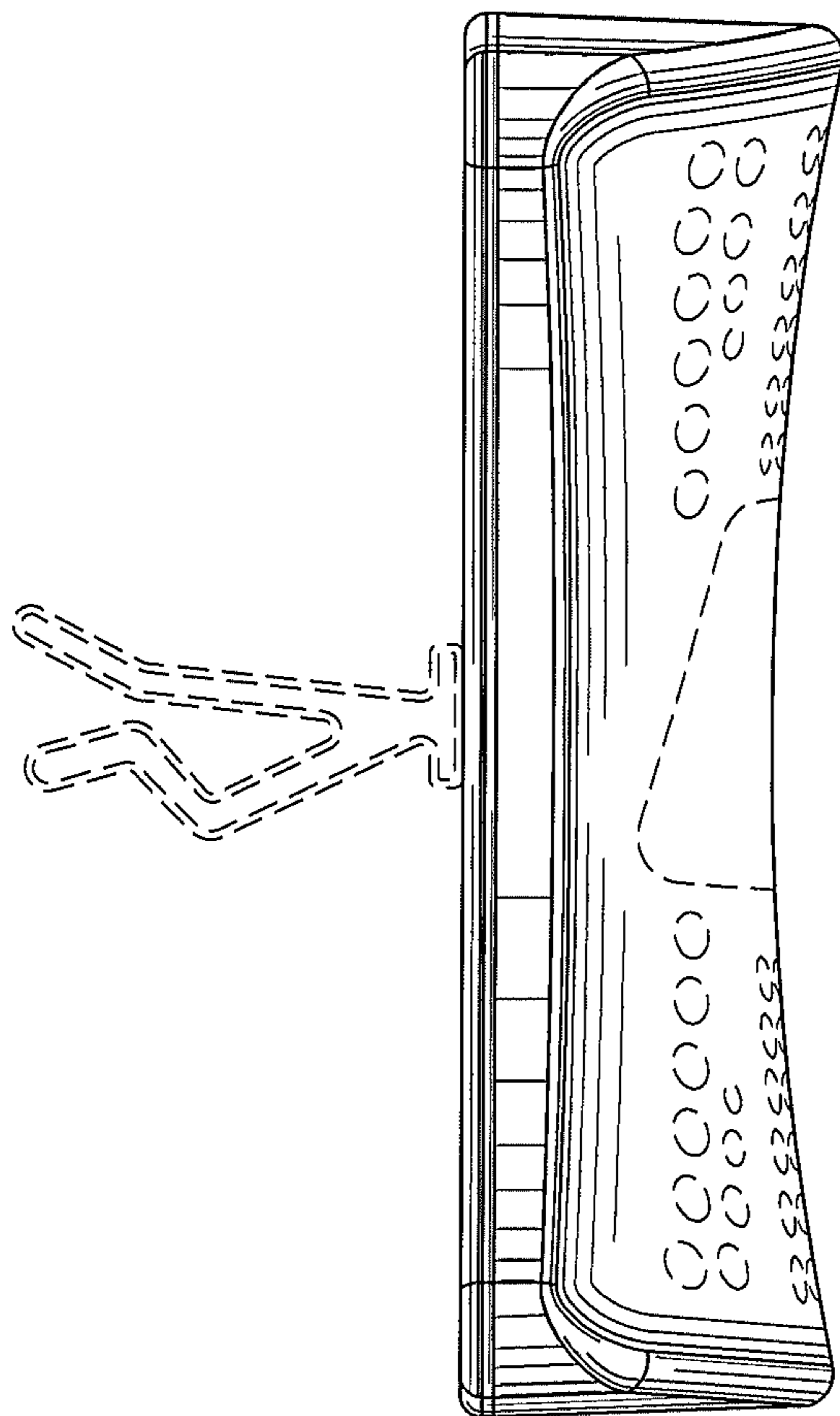


Fig. 4

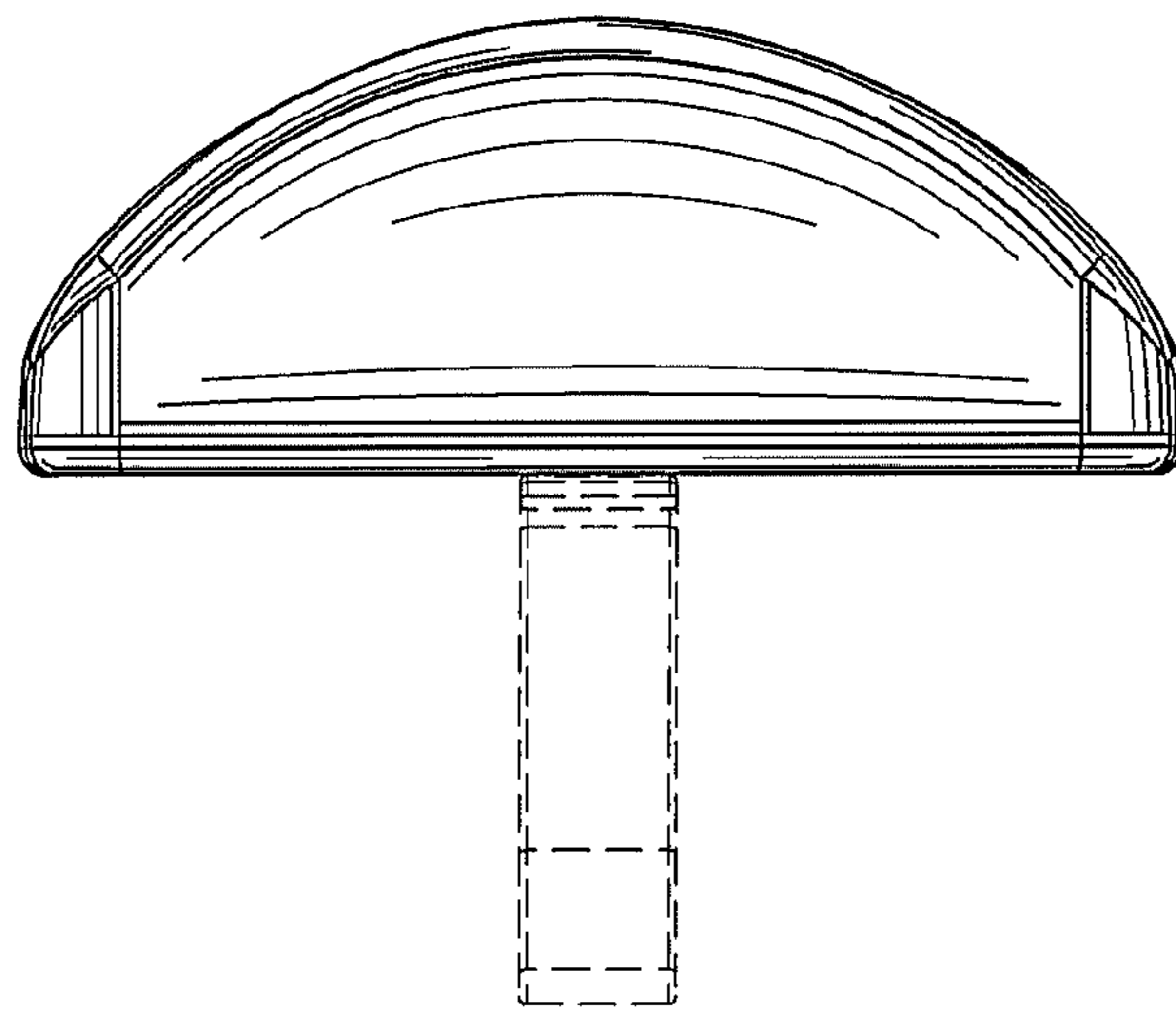


Fig.5

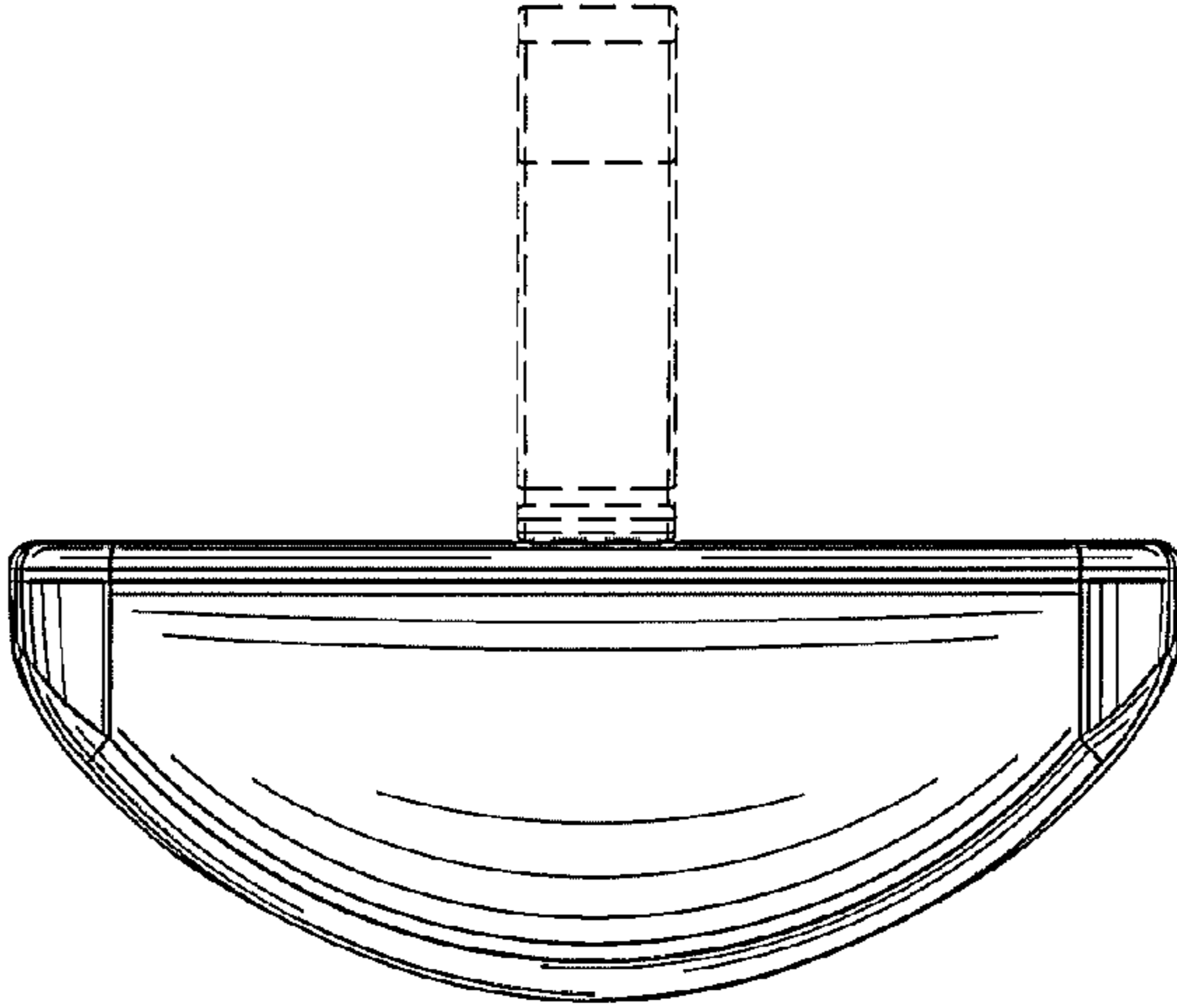


Fig.6