



US00D716920S

(12) **United States Design Patent**
Adams et al.

(10) **Patent No.:** **US D716,920 S**
(45) **Date of Patent:** **** Nov. 4, 2014**

- (54) **BATHING ENCLOSURE**
- (71) Applicant: **Kohler Co.**, Kohler, WI (US)
- (72) Inventors: **John Adams**, Sheboygan, WI (US);
Weerasak Taingtae, Sheboygan, WI (US)
- (73) Assignee: **Kohler Co.**, Kohler, WI (US)
- (**) Term: **14 Years**
- (21) Appl. No.: **29/479,676**
- (22) Filed: **Jan. 17, 2014**

- D482,763 S 11/2003 Thomas
- D576,262 S 9/2008 Ishiyama et al.
- D601,672 S 10/2009 Garrels

Primary Examiner — Robert Delehanty
(74) *Attorney, Agent, or Firm* — Foley & Lardner LLP

(57) **CLAIM**
We claim the ornamental design for a bathing enclosure, as shown and described.

DESCRIPTION

FIG. 1 is a top perspective view of an embodiment of the claimed design;
FIG. 2 is a front elevation view of the claimed design of FIG. 1;
FIG. 3 is a top plan view of the claimed design of FIG. 1;
FIG. 4 is a right-side elevation view of the claimed design of FIG. 1;
FIG. 5 is a left-side elevation view of the claimed design of FIG. 1;
FIG. 6 is a bottom plan view of the claimed design of FIG. 1;
and,
FIG. 7 is a rear elevation view of the claimed design of FIG. 1.

The ornamental design which is claimed is shown in solid lines in the drawings. The broken lines in the drawings show unclaimed subject matter and form no part of the claimed design. The dot-dash lines in the drawings define boundaries of the claimed design and form no part thereof.

Related U.S. Application Data

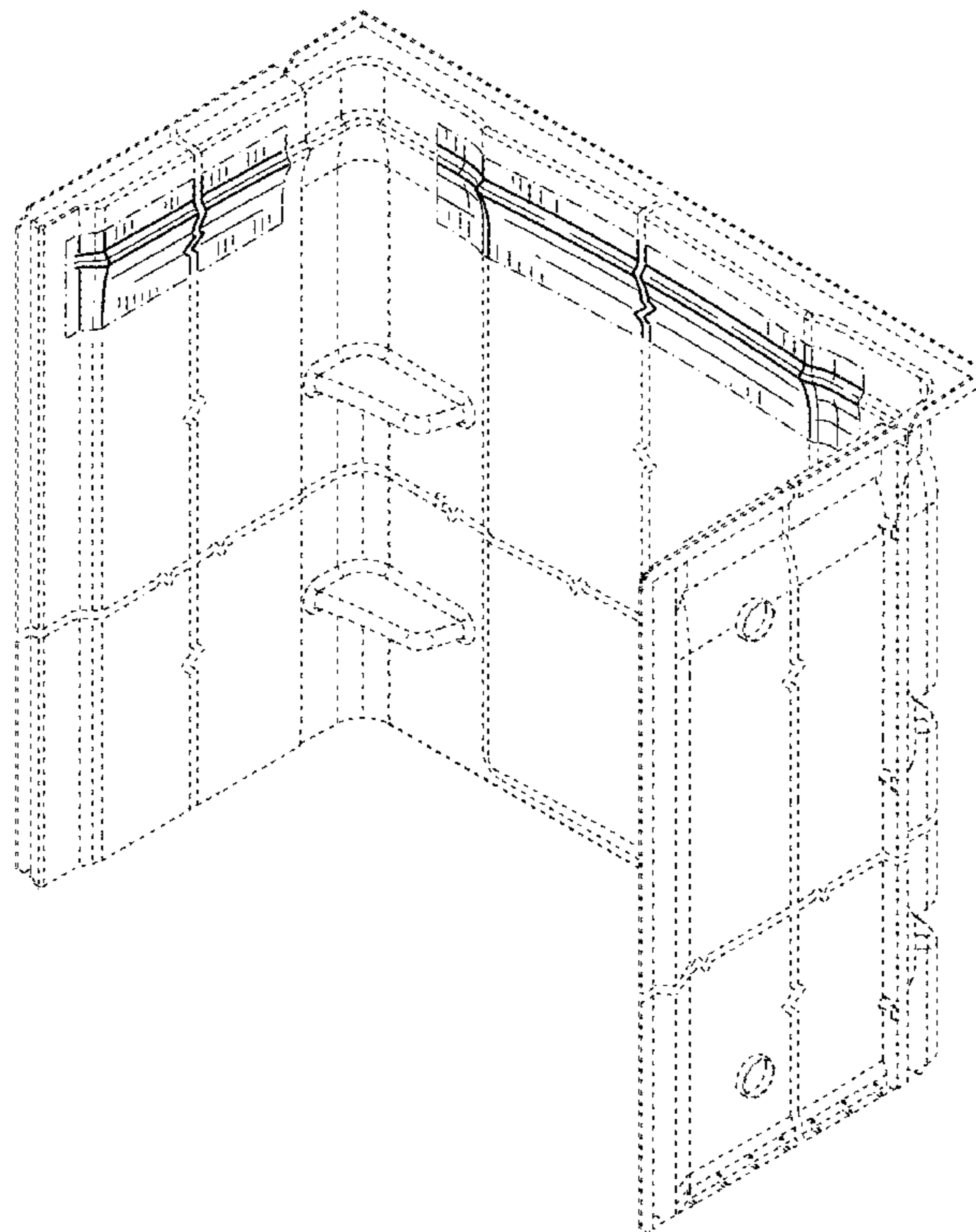
- (62) Division of application No. 29/449,909, filed on Mar. 15, 2013, now Pat. No. Des. 701,294.
- (51) **LOC (10) Cl.** **23-02**
- (52) **U.S. Cl.**
USPC **D23/305**
- (58) **Field of Classification Search**
USPC D23/277, 280.1, 304, 275, 283, 305,
D23/303; 4/538, 614, 612, 596, 584
See application file for complete search history.

References Cited

U.S. PATENT DOCUMENTS

- D255,707 S 7/1980 Obradovits
- D278,844 S 5/1985 Stairs, Jr.

1 Claim, 6 Drawing Sheets



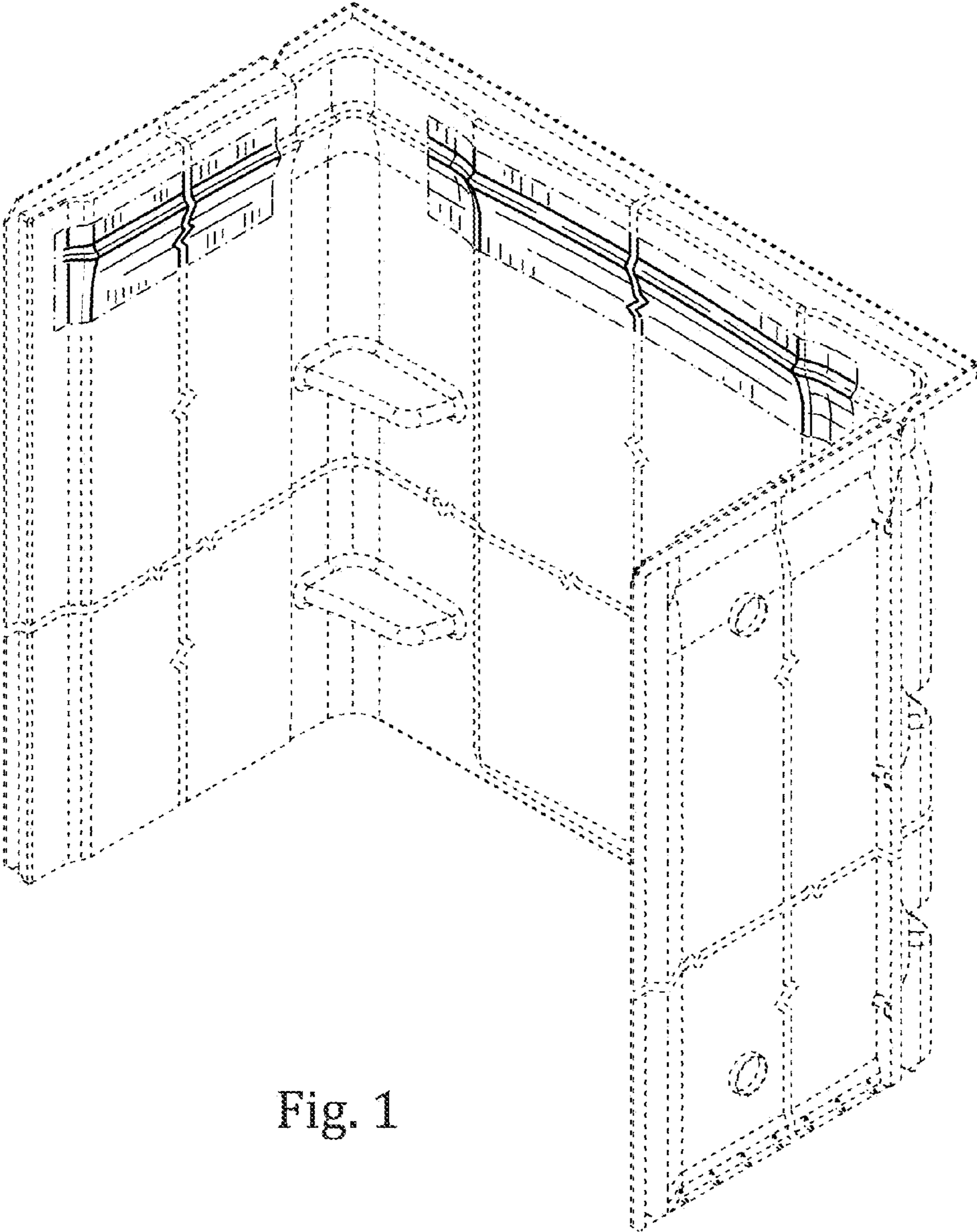


Fig. 1

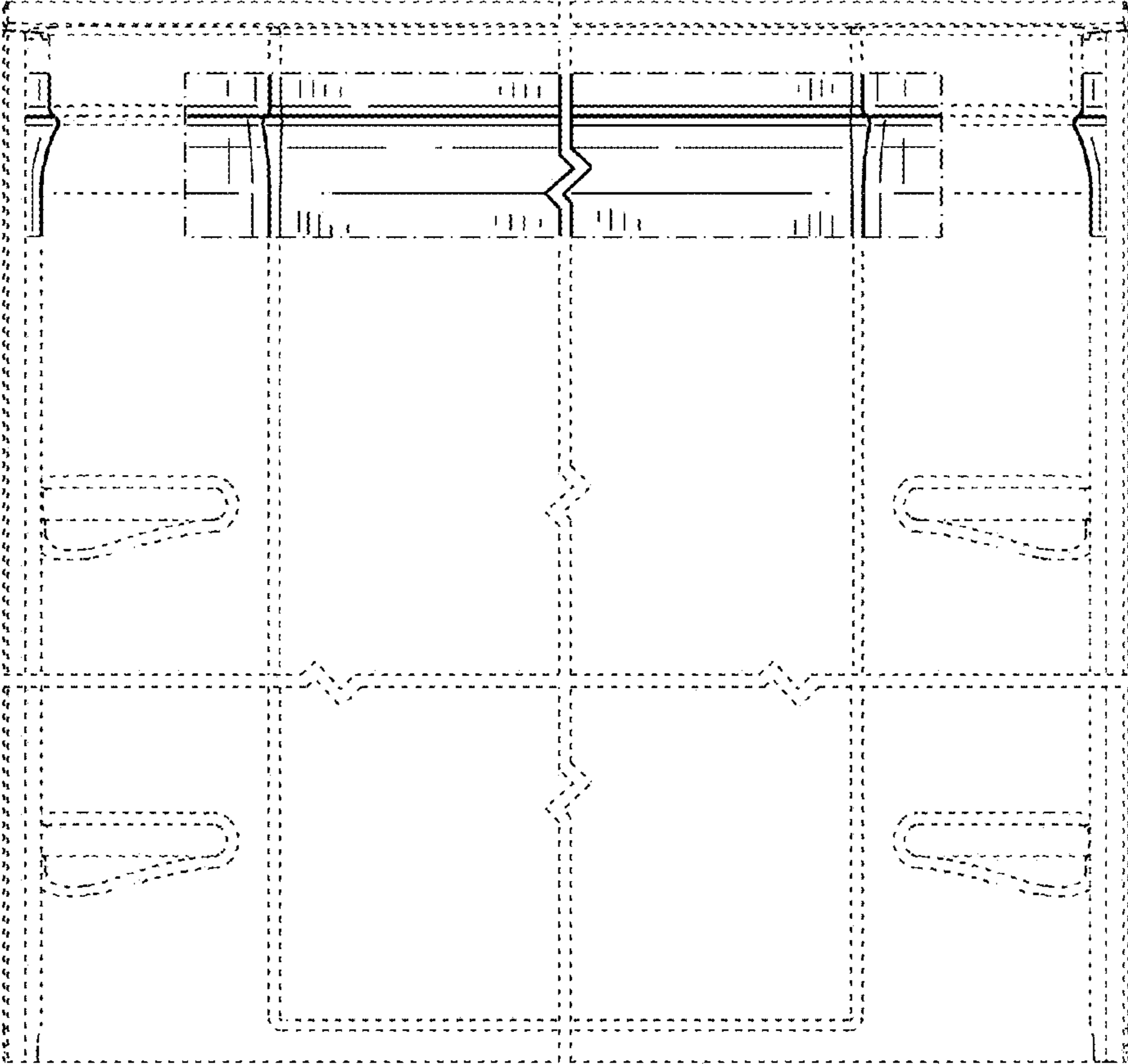


Fig. 2

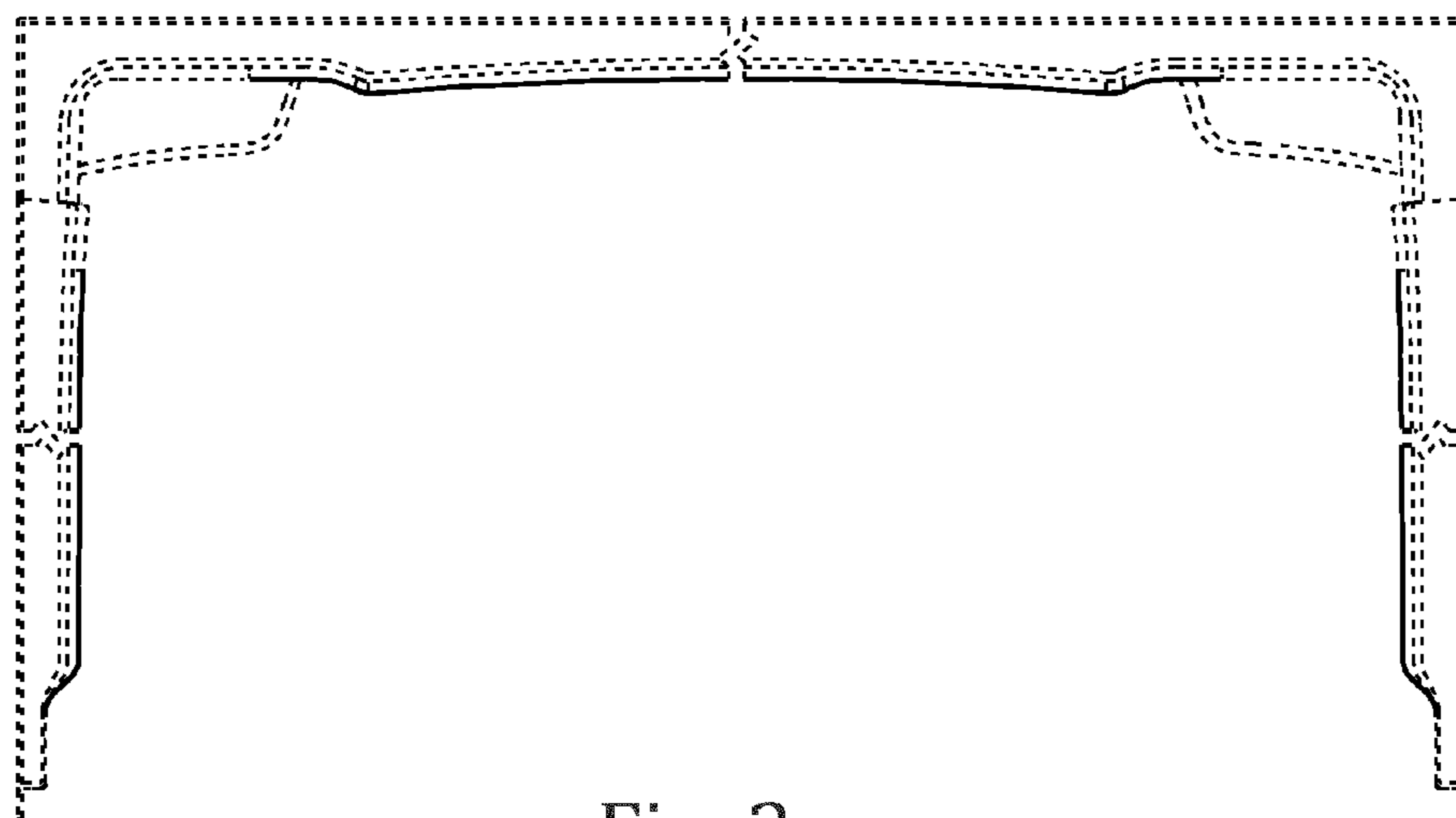


Fig. 3

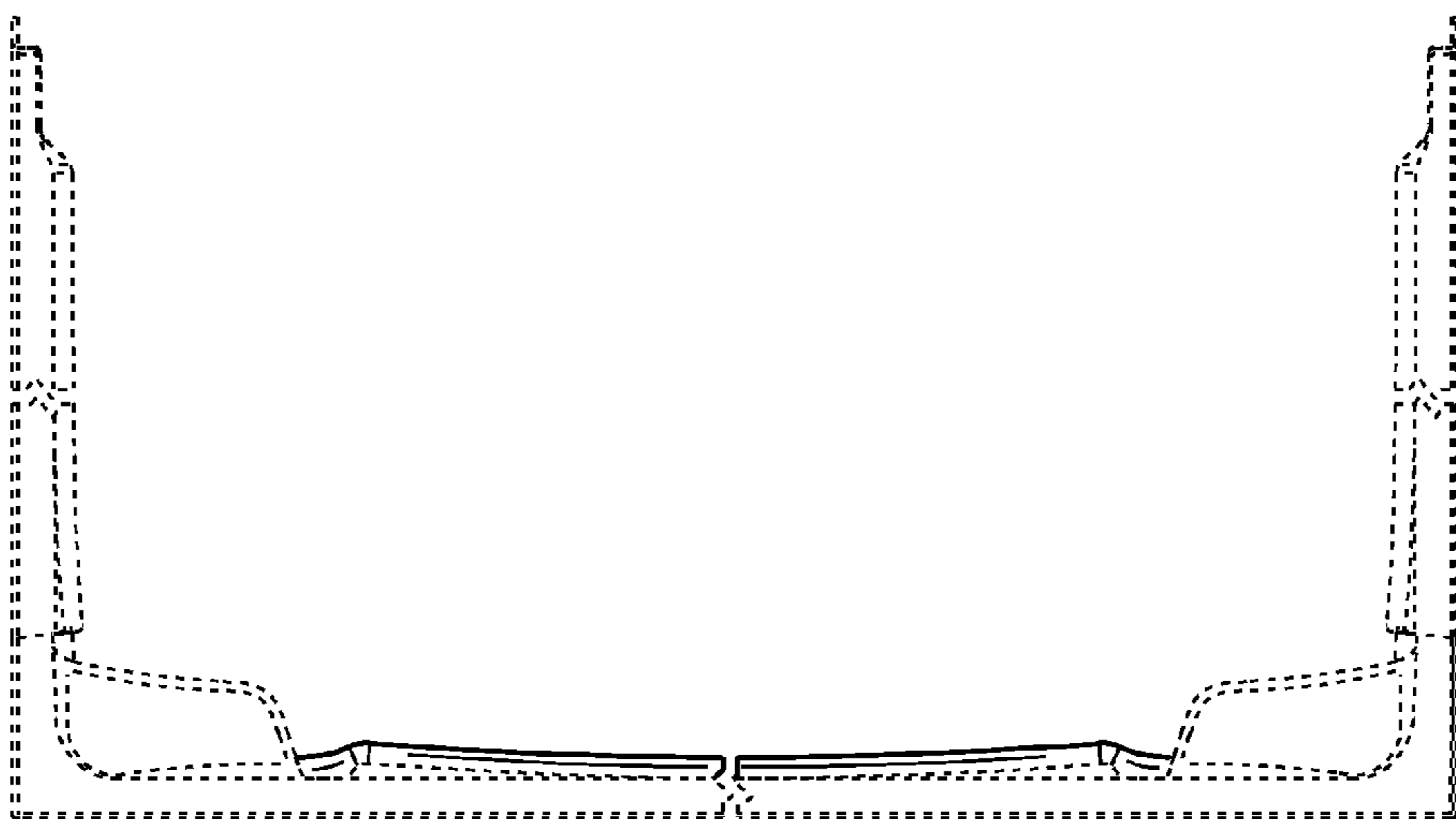


Fig. 4

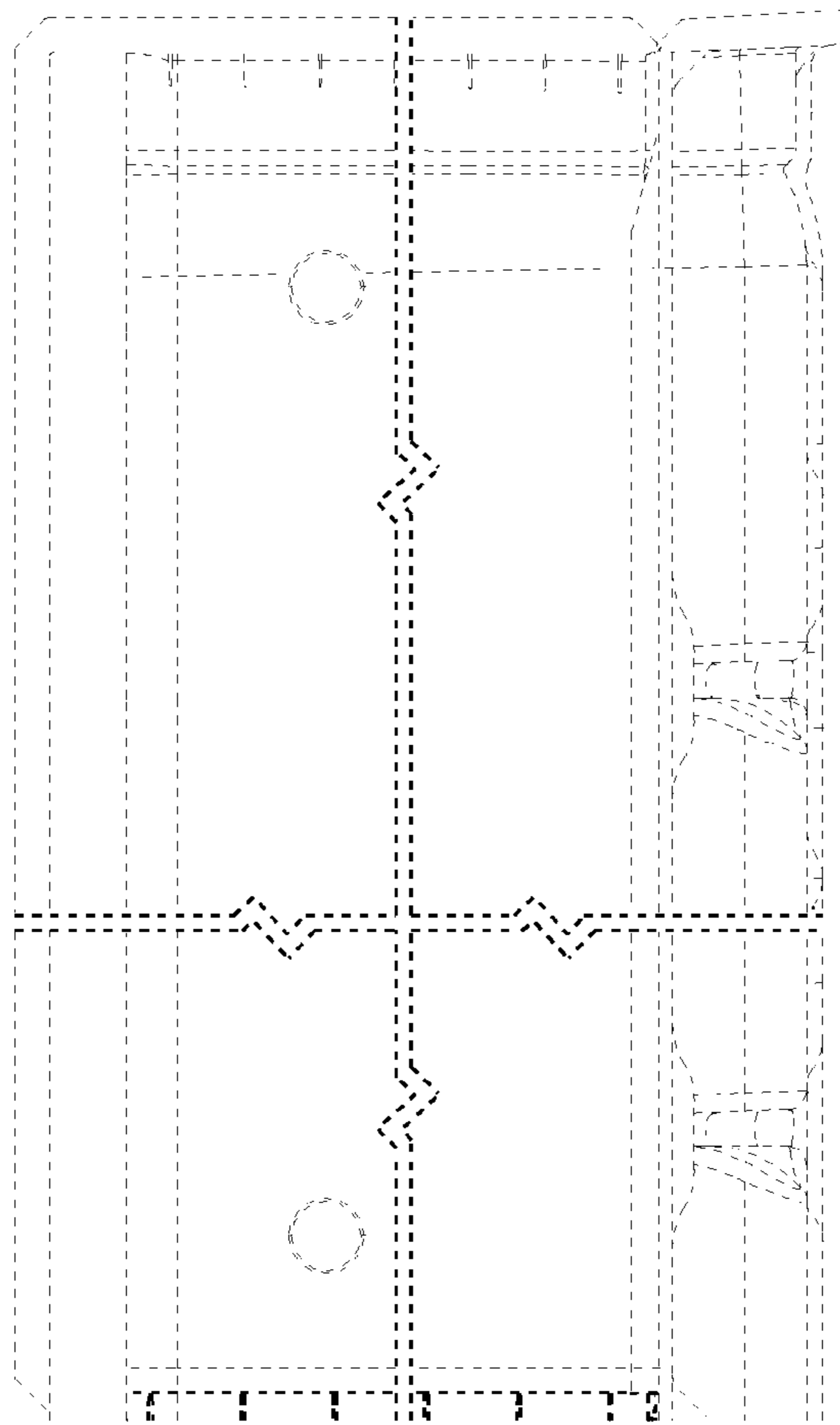


Fig. 5

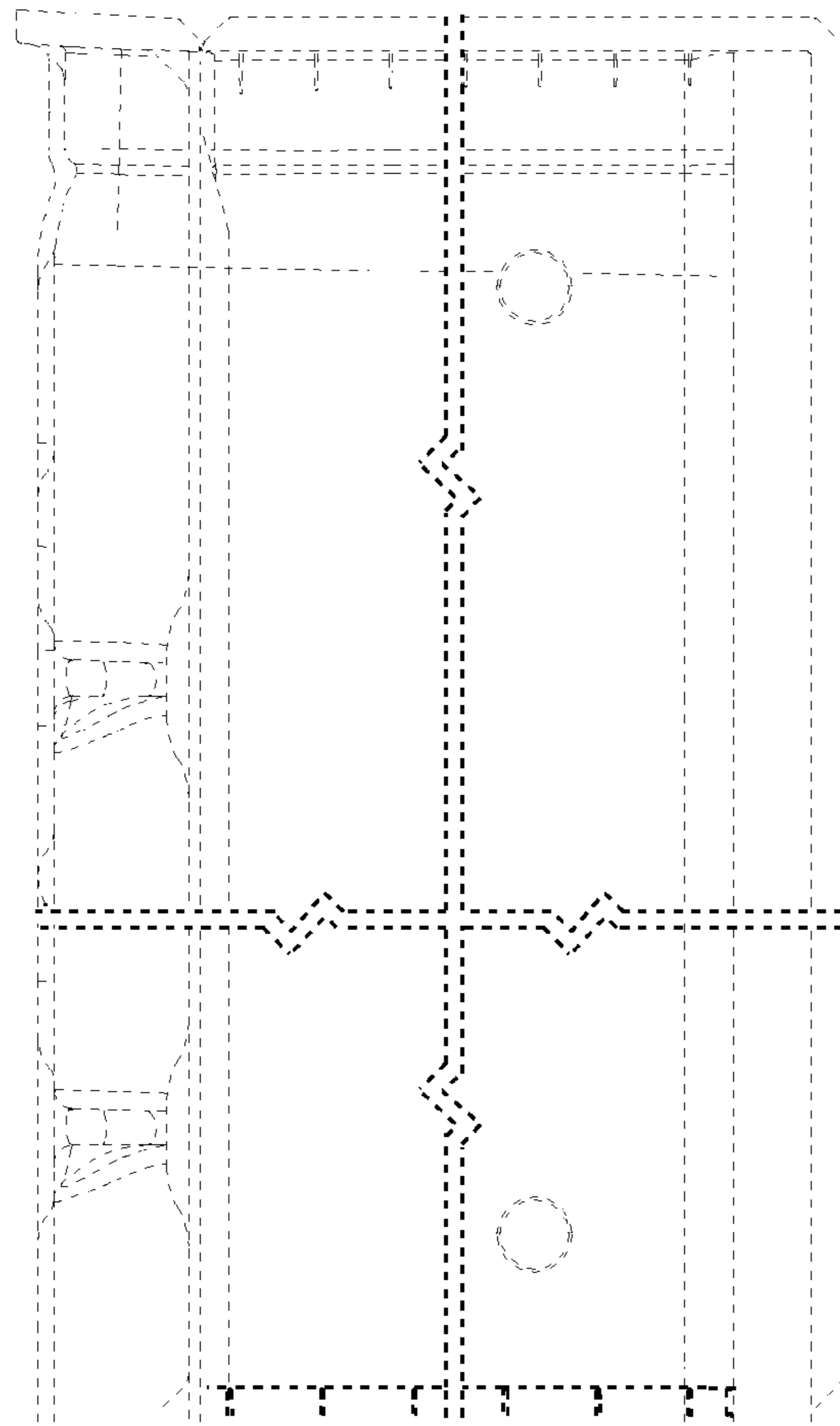


Fig. 6

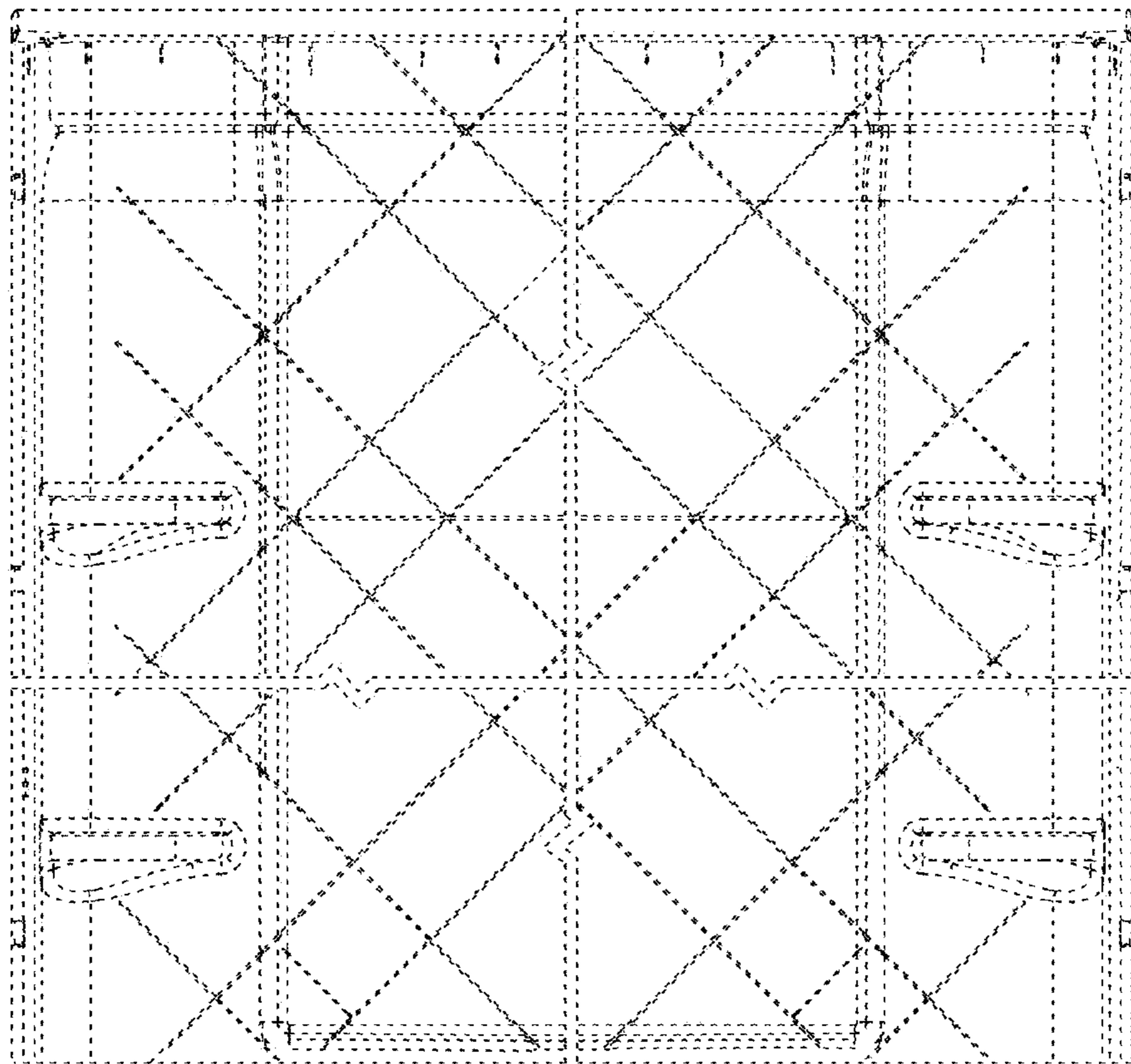


Fig. 7