



US00D716919S

(12) **United States Design Patent**  
**Yeung**

(10) **Patent No.:** **US D716,919 S**  
(45) **Date of Patent:** **\*\* Nov. 4, 2014**

(54) **STEP POTTY**

(71) Applicant: **Karibu Baby Limited**, New Territories (HK)

(72) Inventor: **Kwok Lam Yeung**, New Territories (HK)

(73) Assignee: **Karibu Baby Limited**, New Territories (HK)

(\*\*) Term: **14 Years**

(21) Appl. No.: **29/478,393**

(22) Filed: **Jan. 3, 2014**

(51) **LOC (10) Cl.** ..... **23-02**

(52) **U.S. Cl.**  
USPC ..... **D23/296; D25/65; D6/335**

(58) **Field of Classification Search**  
USPC ..... **D23/296, 303, 309, 311; 4/312, 902, 4/483; D6/335, 353; D25/65; D21/671**  
See application file for complete search history.

(56) **References Cited**

**U.S. PATENT DOCUMENTS**

3,444,563	A *	5/1969	Gordon, Jr.	4/484
D287,315	S *	12/1986	Ginouves	D6/335
5,094,505	A *	3/1992	Nichols	D25/65
D327,175	S *	6/1992	Mariol	D6/335
5,978,976	A *	11/1999	Chai	4/483
6,684,418	B2 *	2/2004	Choi	4/483
D501,683	S *	2/2005	Hernandez et al.	D25/65
D570,970	S *	6/2008	Buitendach	D23/296

D599,450	S *	9/2009	Warfaa	D23/296
7,779,489	B2 *	8/2010	Finell	4/483
D630,274	S *	1/2011	Babiarz	D21/671

\* cited by examiner

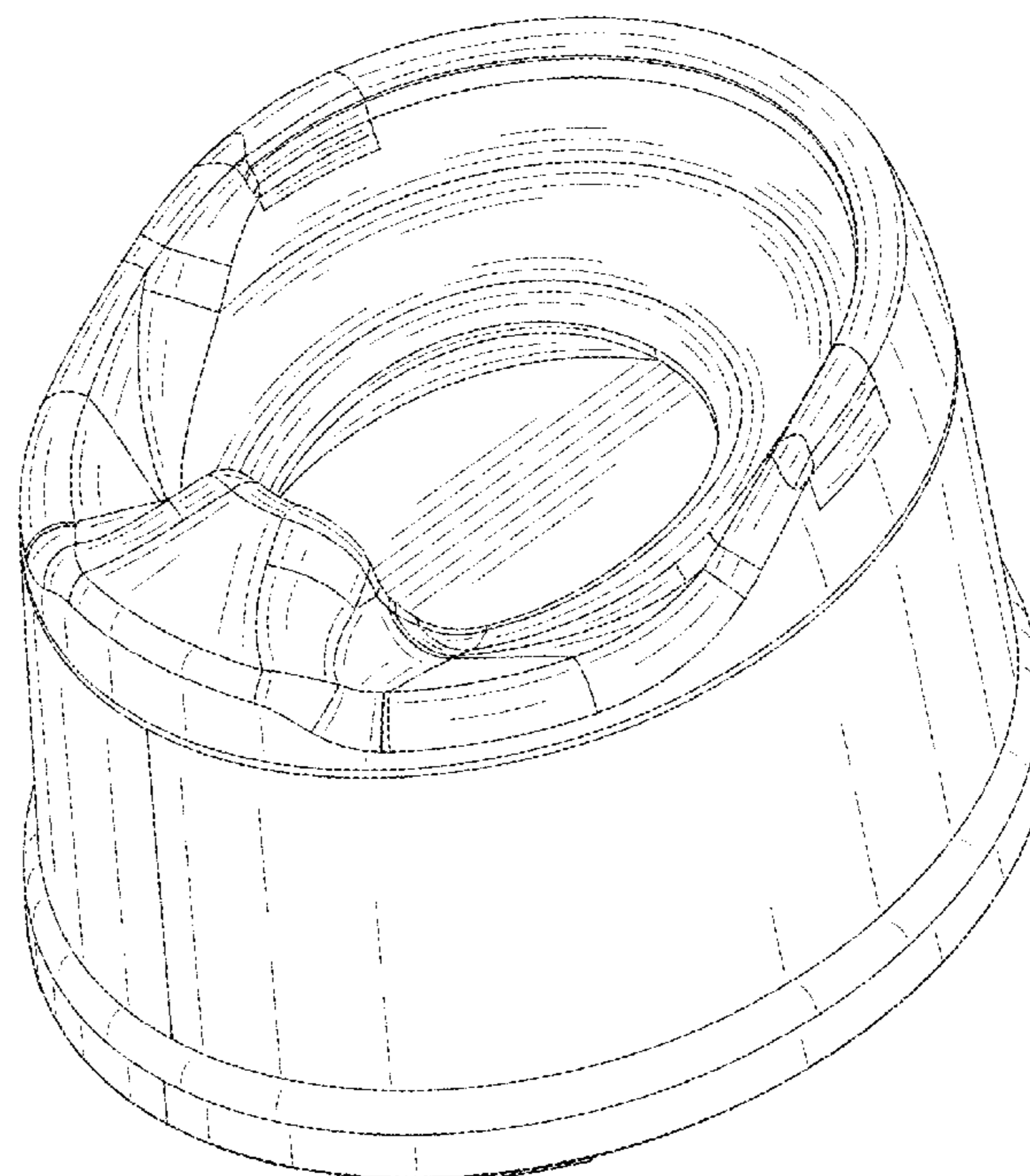
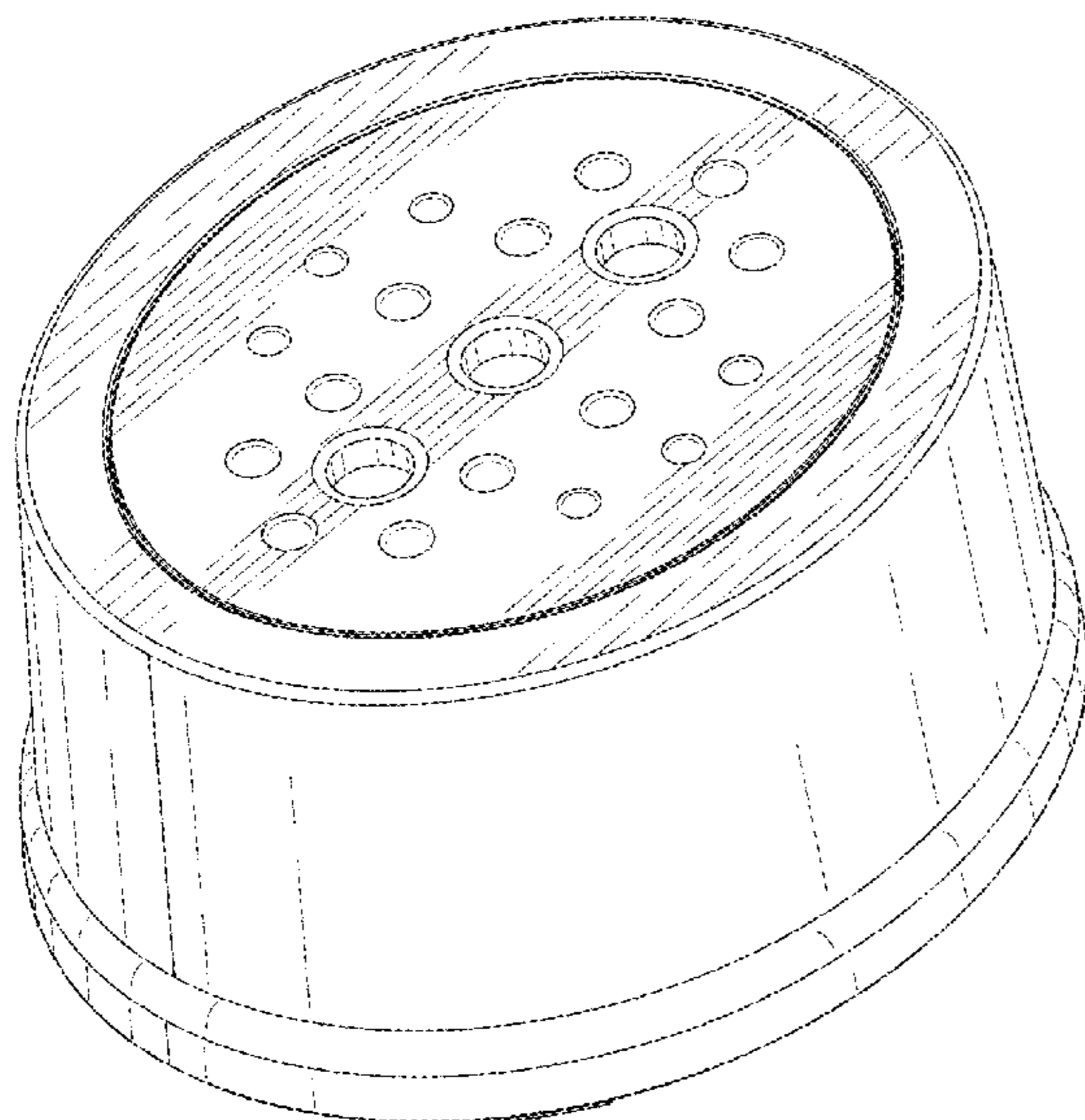
*Primary Examiner* — Robert Delehanty  
(74) *Attorney, Agent, or Firm* — Intellectual Property Law Group LLP

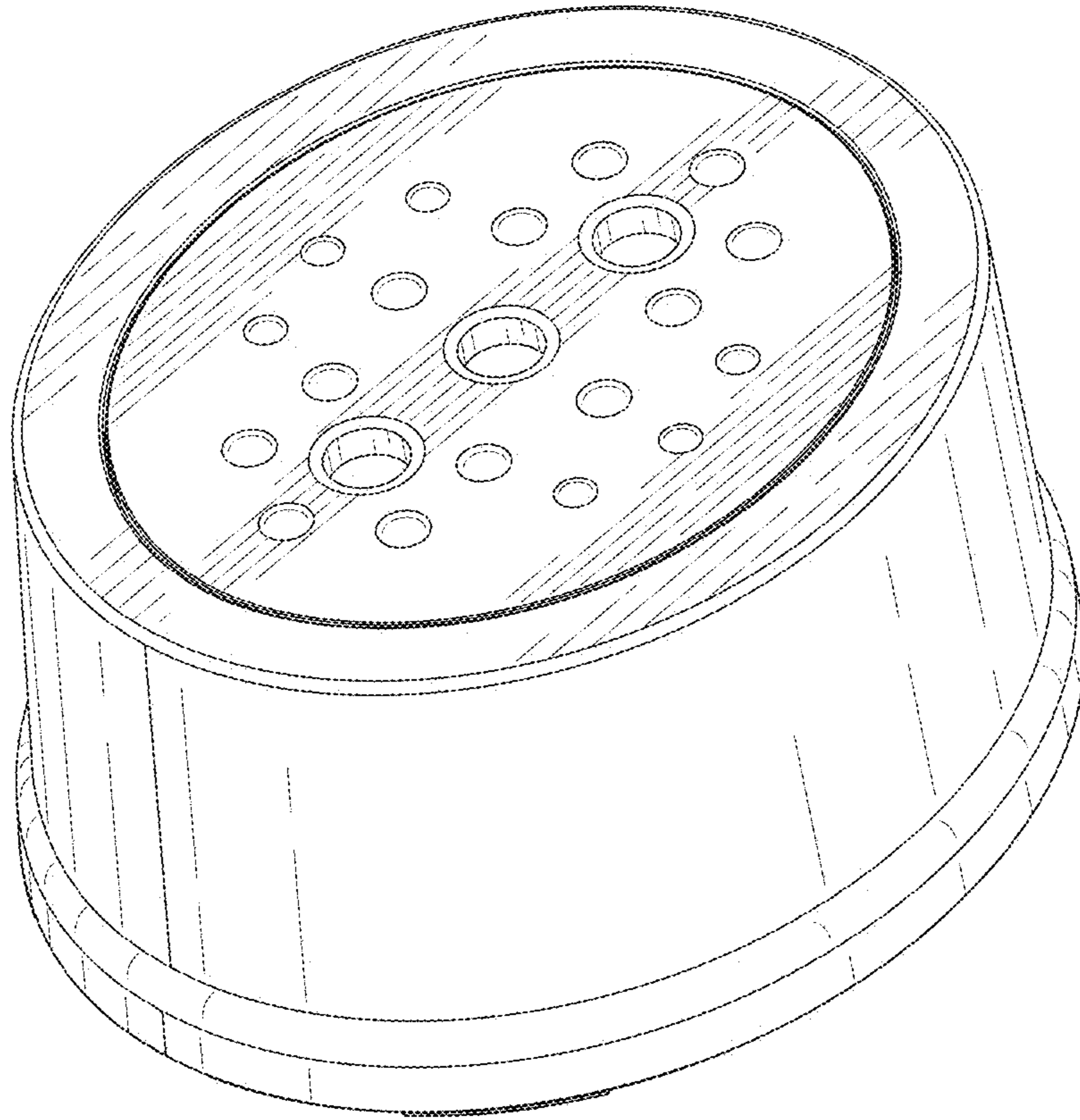
(57) **CLAIM**  
The ornamental design for a step potty, as shown and described.

**DESCRIPTION**

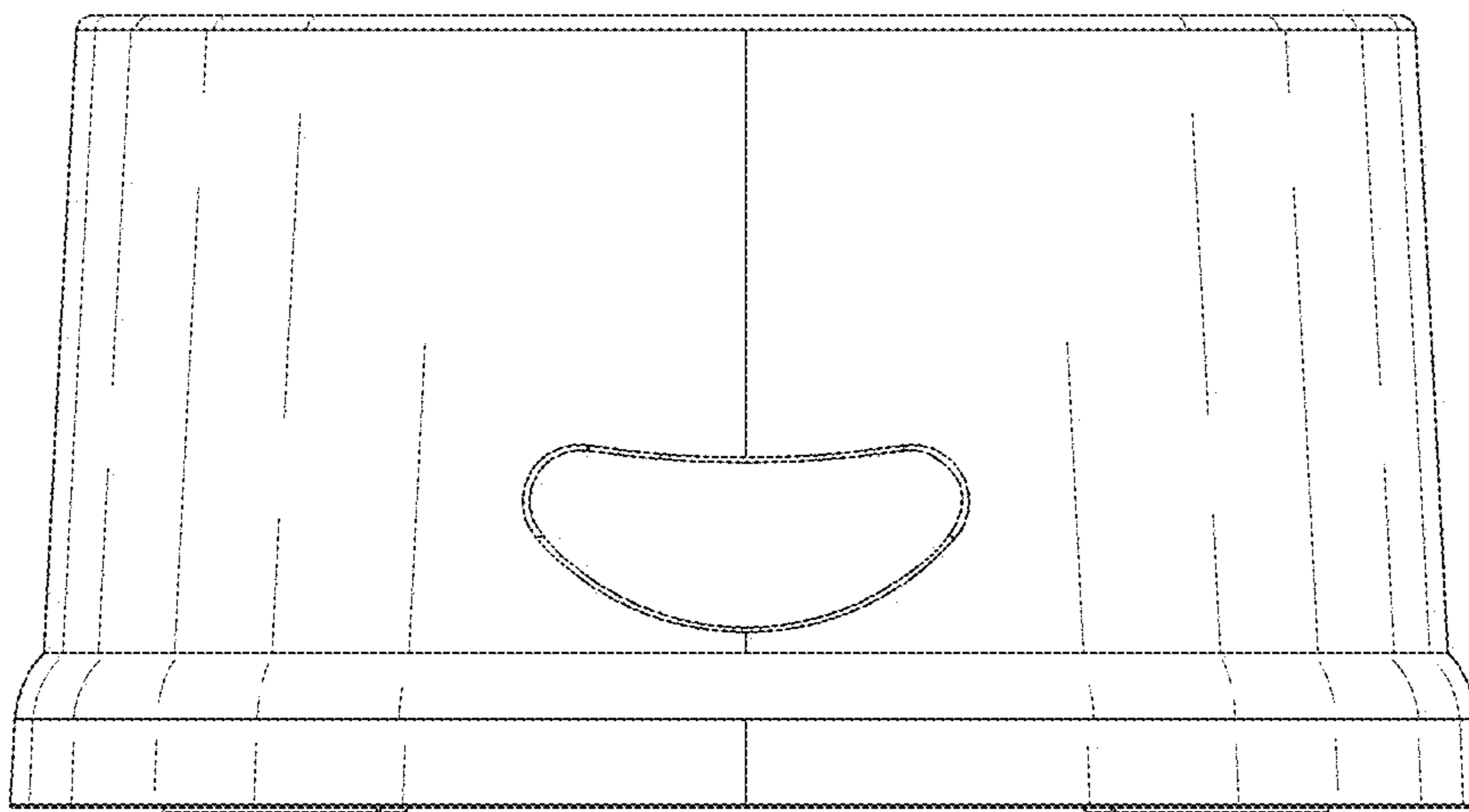
FIG. 1 is a perspective view of a step potty embodying my new design;  
FIG. 2 is a rear elevational view thereof;  
FIG. 3 is a front elevational view thereof;  
FIG. 4 is a right side elevational view thereof; the left side elevational view being a mirror image thereof;  
FIG. 5 is a top plan view thereof;  
FIG. 6 is a bottom plan view thereof;  
FIG. 7 is a perspective view thereof with a potty seat on top and the top step surface removed;  
FIG. 8 is a rear elevational view of FIG. 7;  
FIG. 9 is a front elevational view of FIG. 7;  
FIG. 10 is a right side elevational view of FIG. 7; the left side elevational view being a mirror image thereof;  
FIG. 11 is a top plan view of FIG. 7; and,  
FIG. 12 is a view of FIG. 6 with the potty seat stored upside down and underneath the step potty with the locking mechanism turned 45 degrees.  
The broken lines shown in FIG. 6 and FIG. 12 form no part of the claimed design.

**1 Claim, 6 Drawing Sheets**





**FIG. 1**



**FIG. 2**

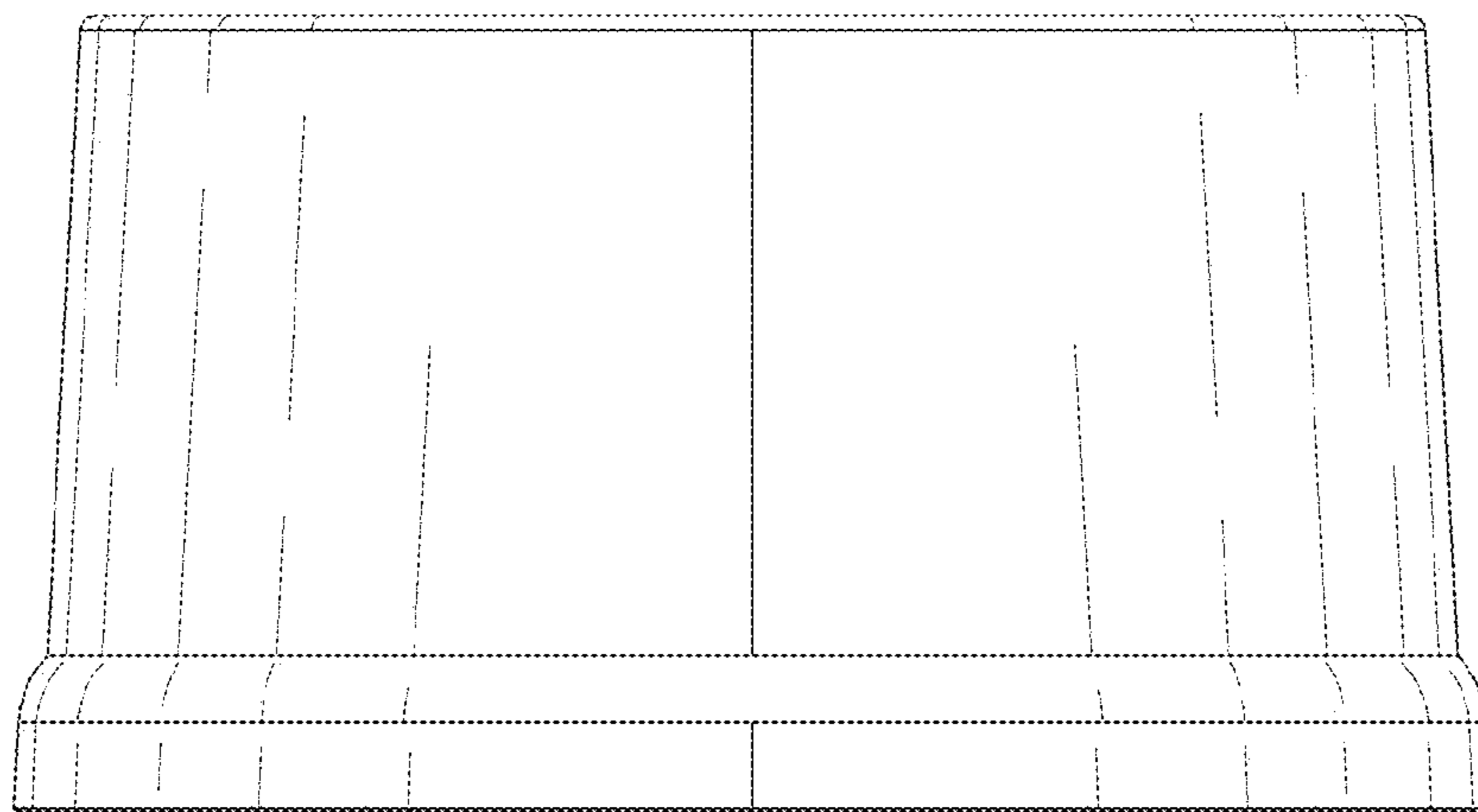


FIG. 3

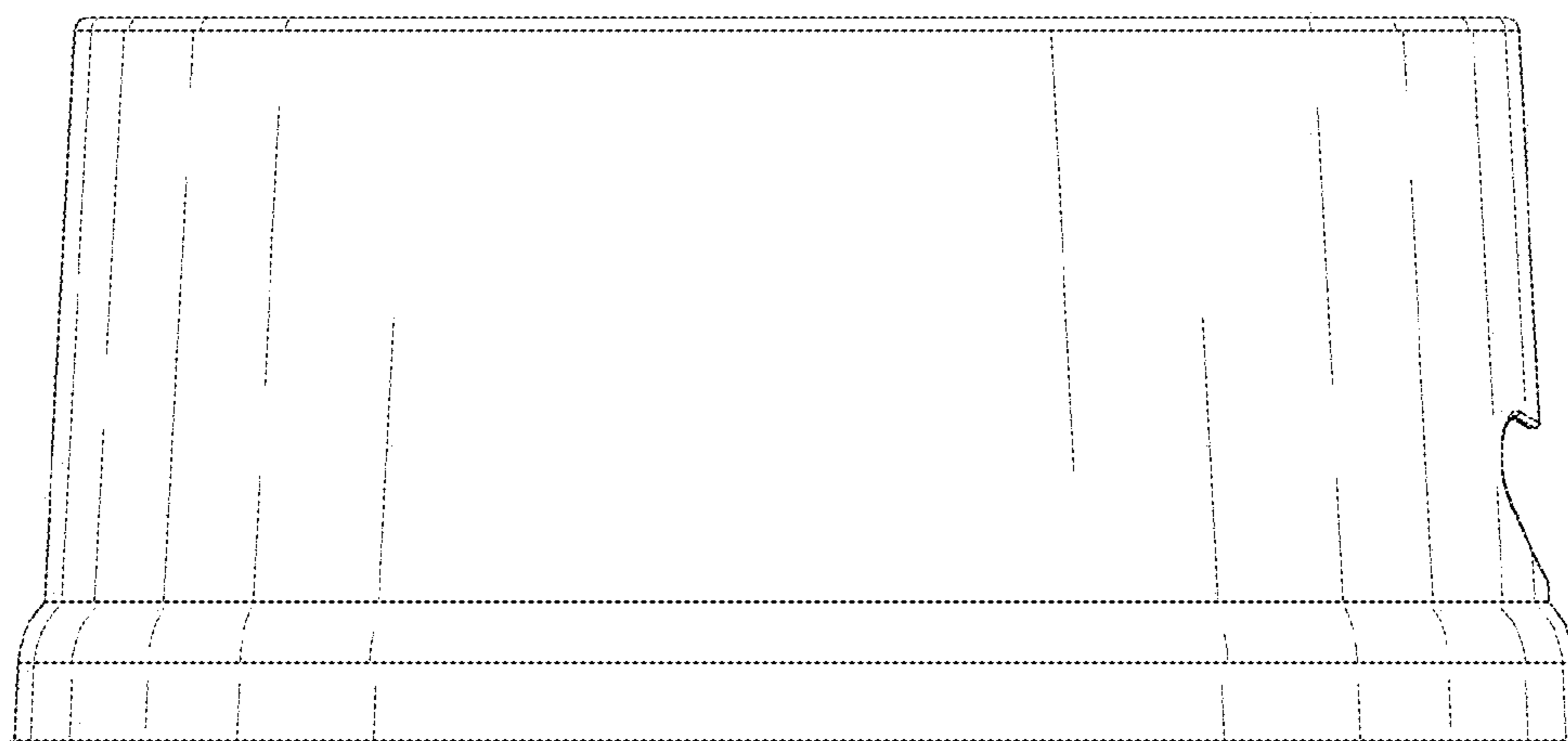


FIG. 4



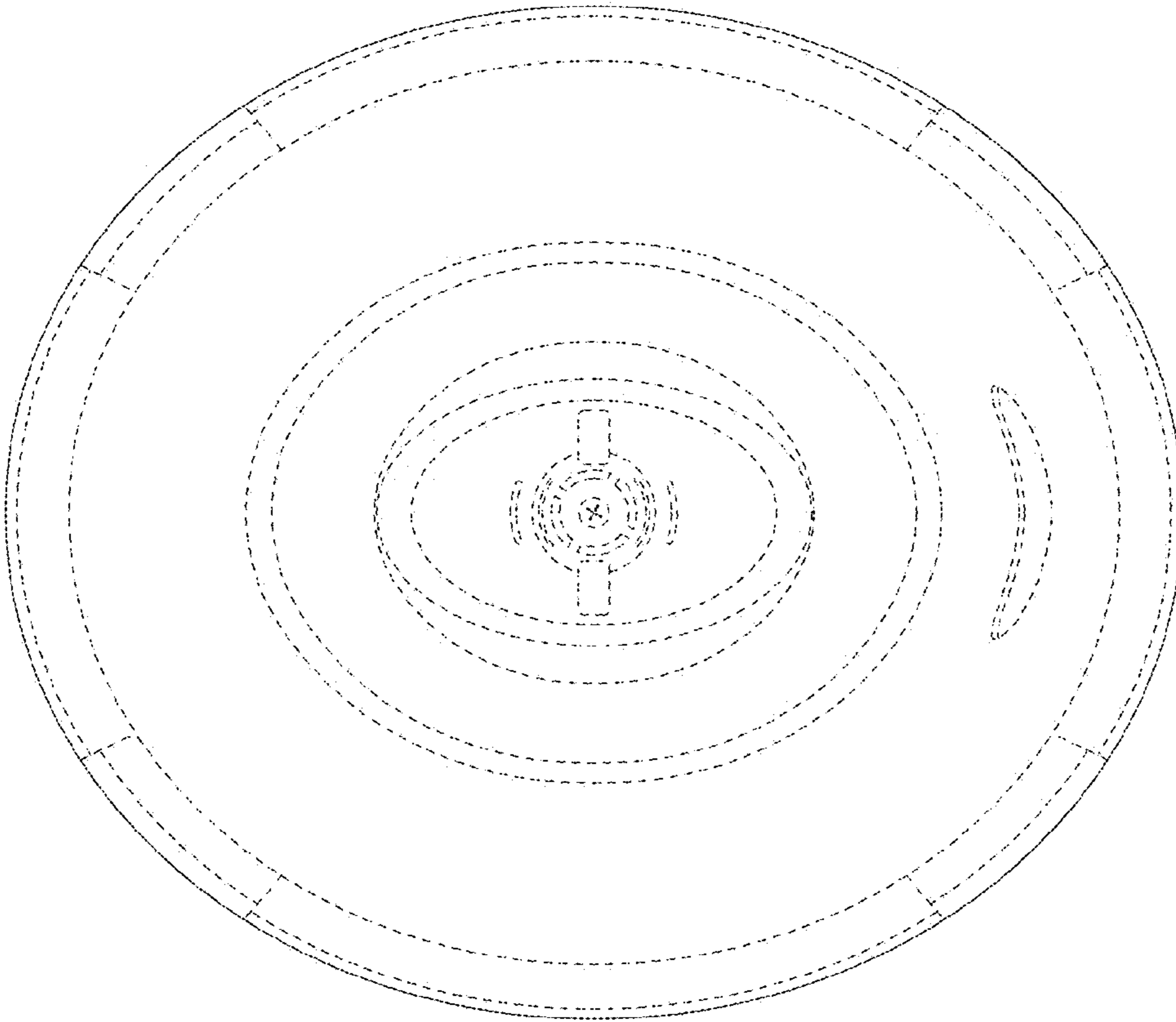


FIG. 6

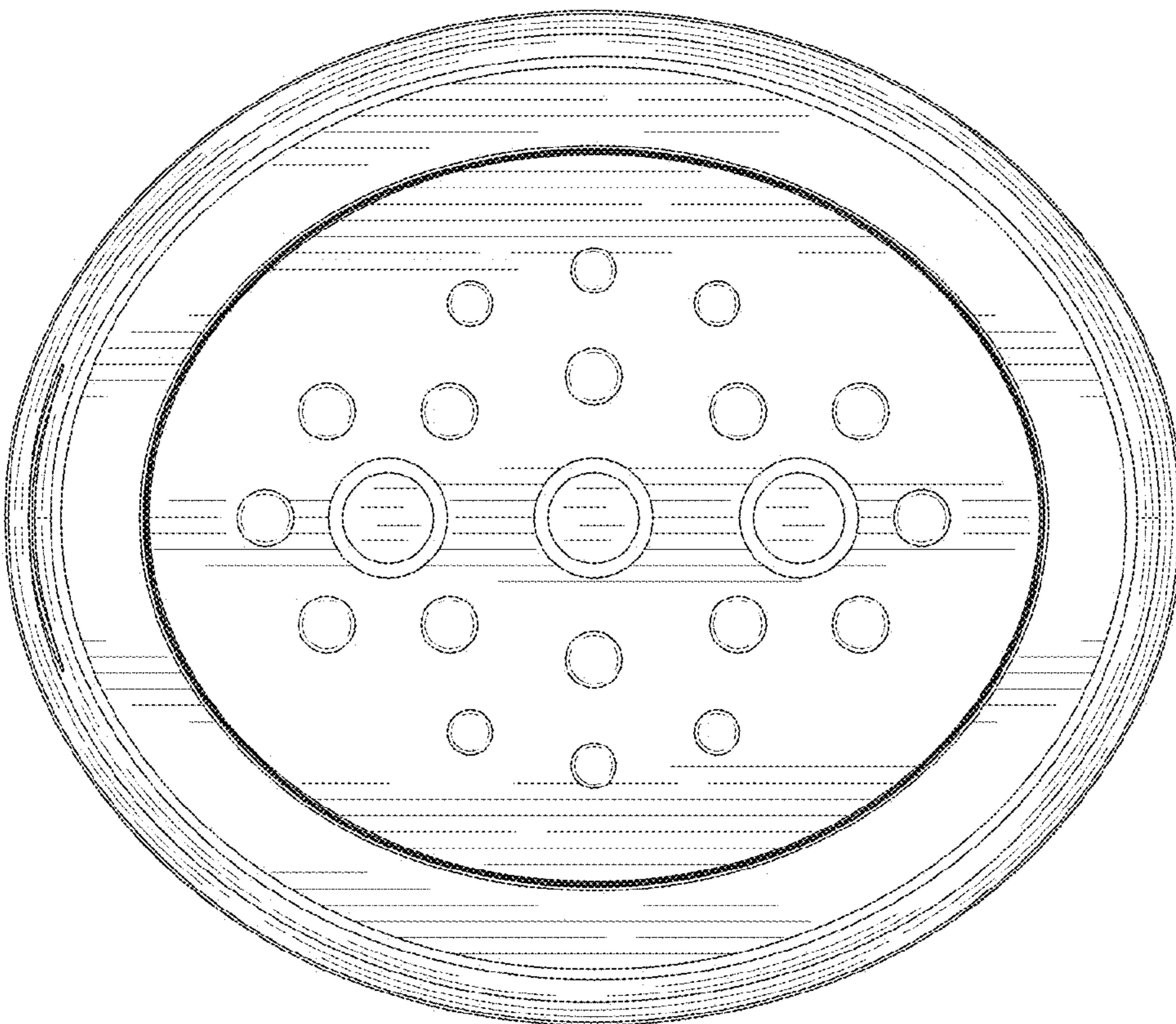
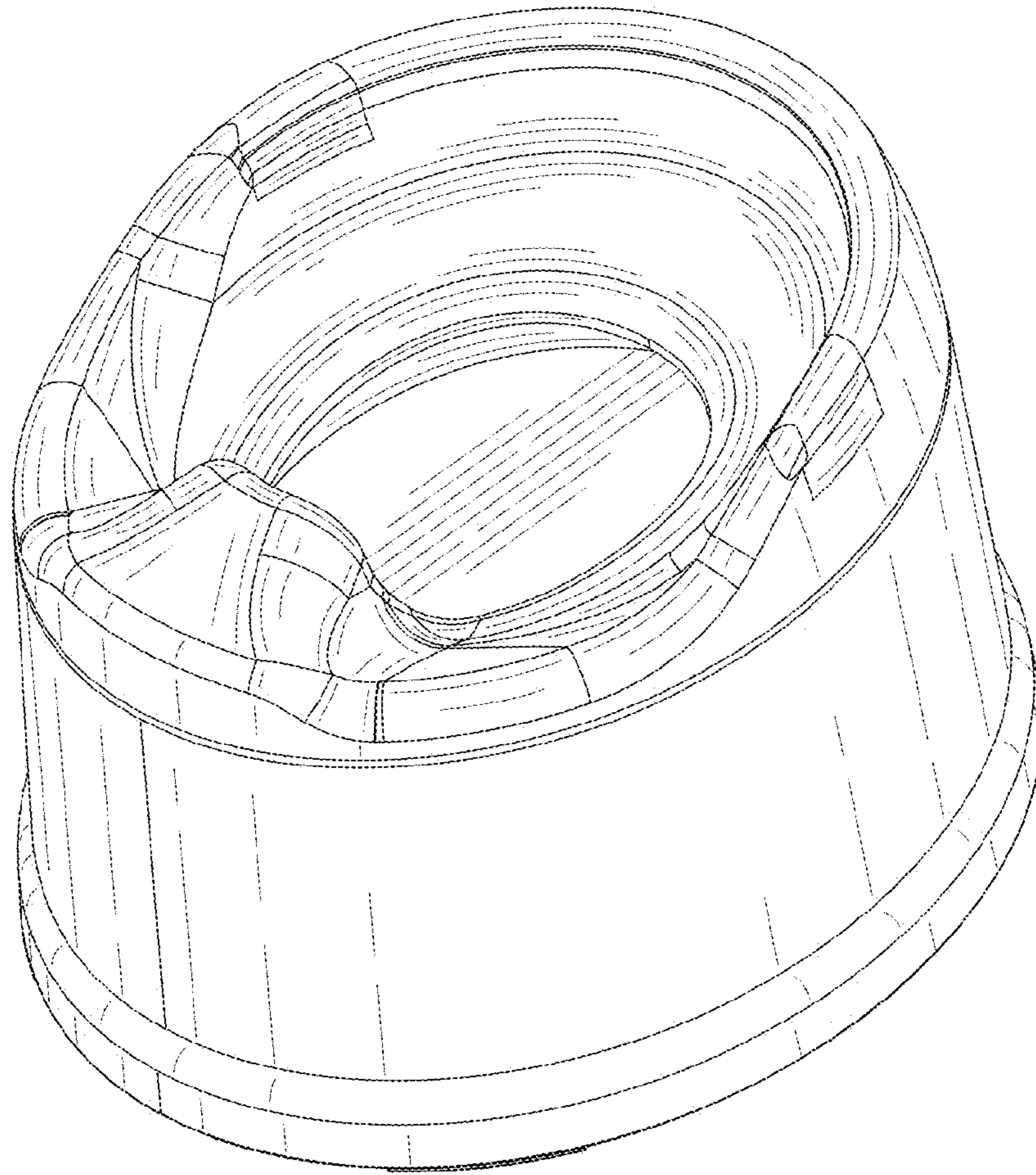
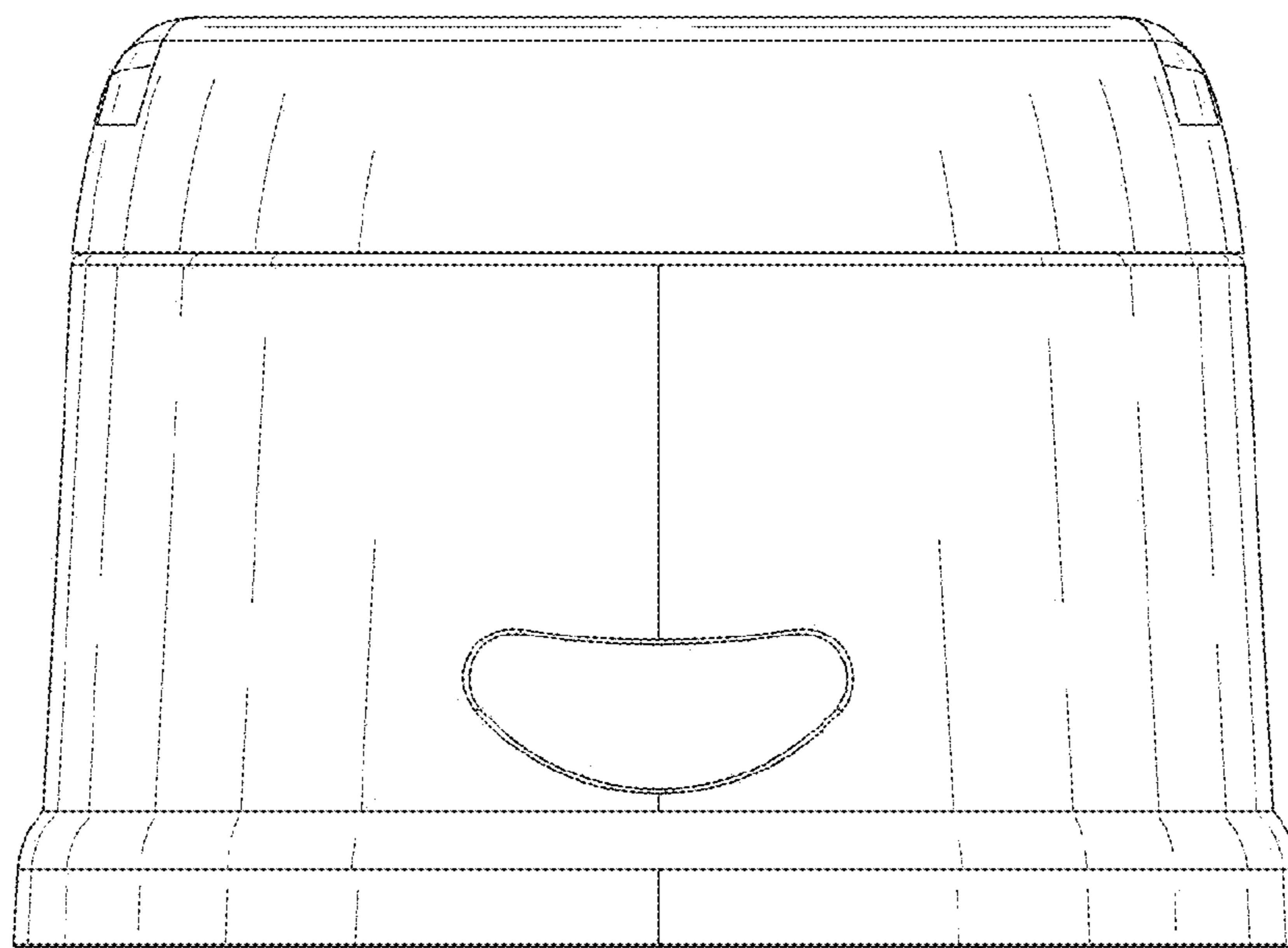


FIG. 5



**FIG. 7**



**FIG. 8**

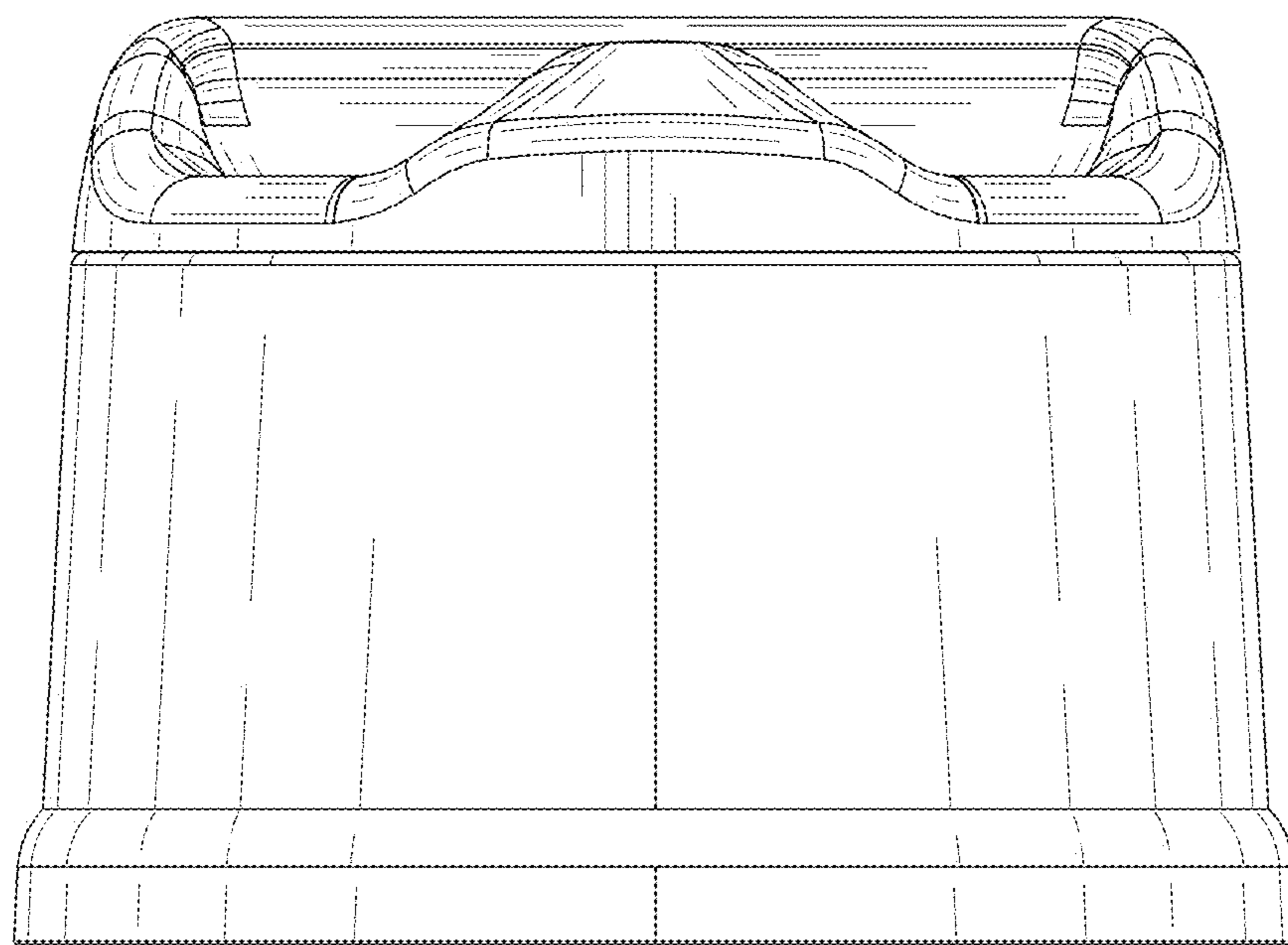


FIG. 9

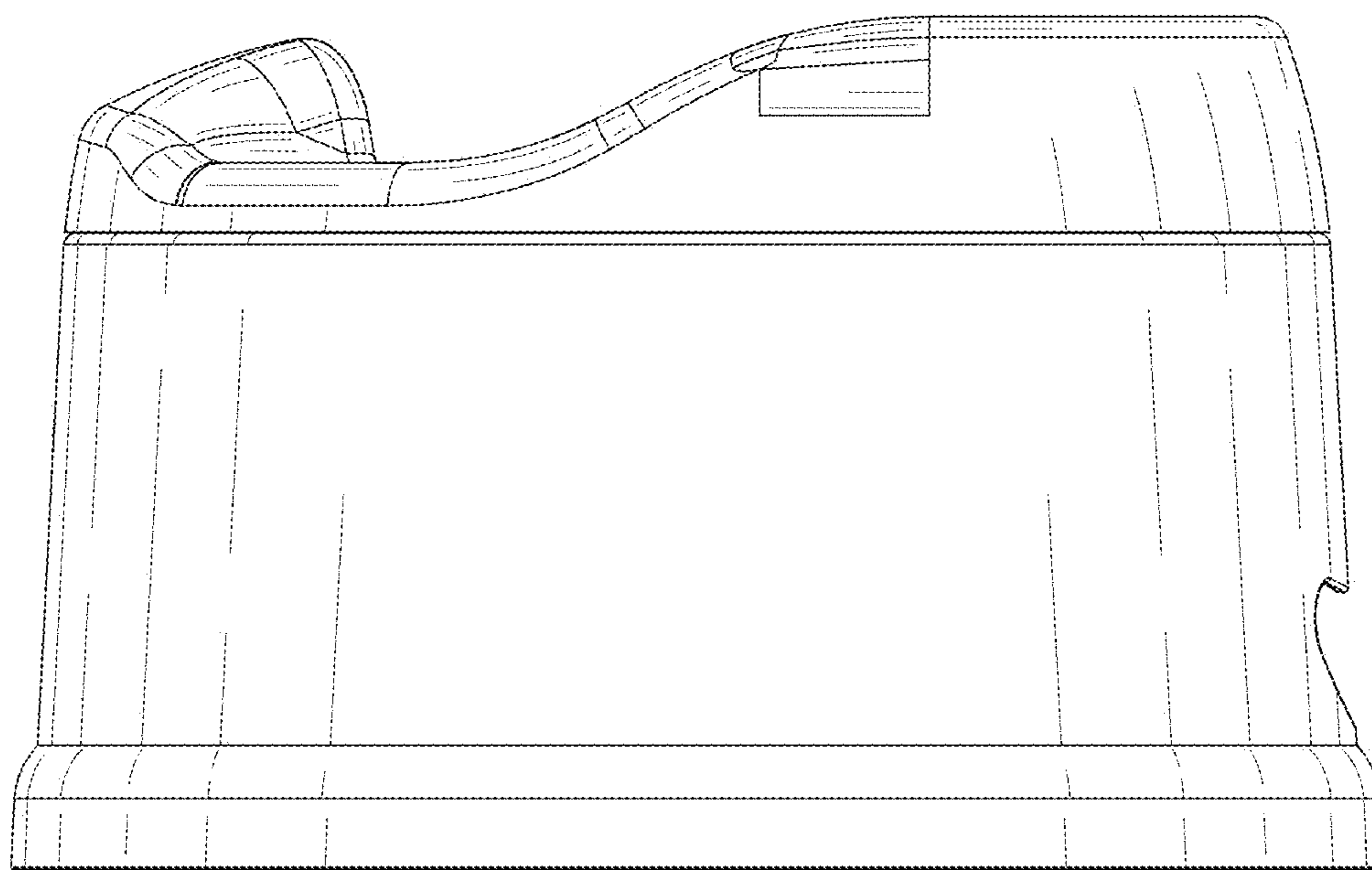


FIG. 10



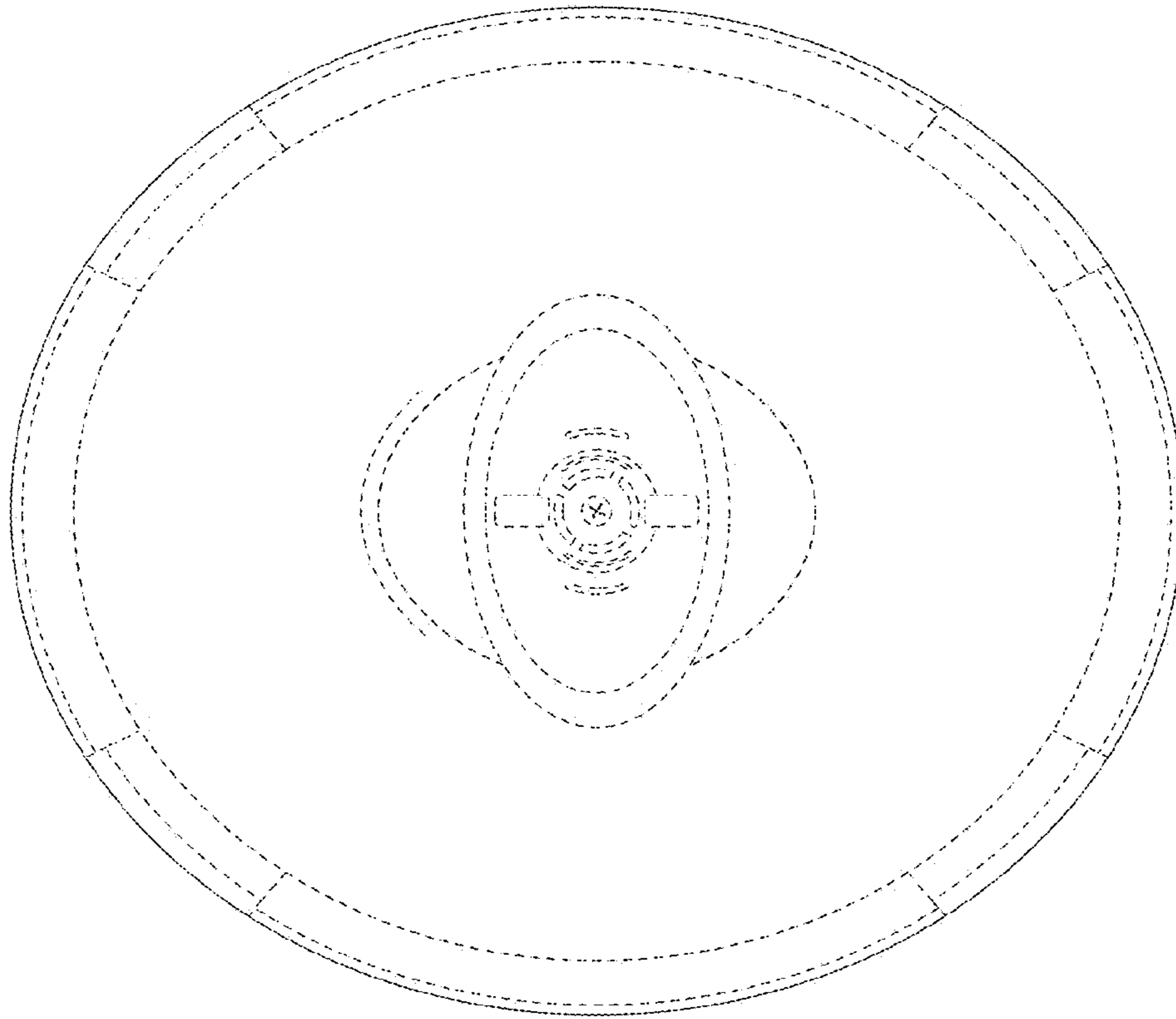


FIG. 12

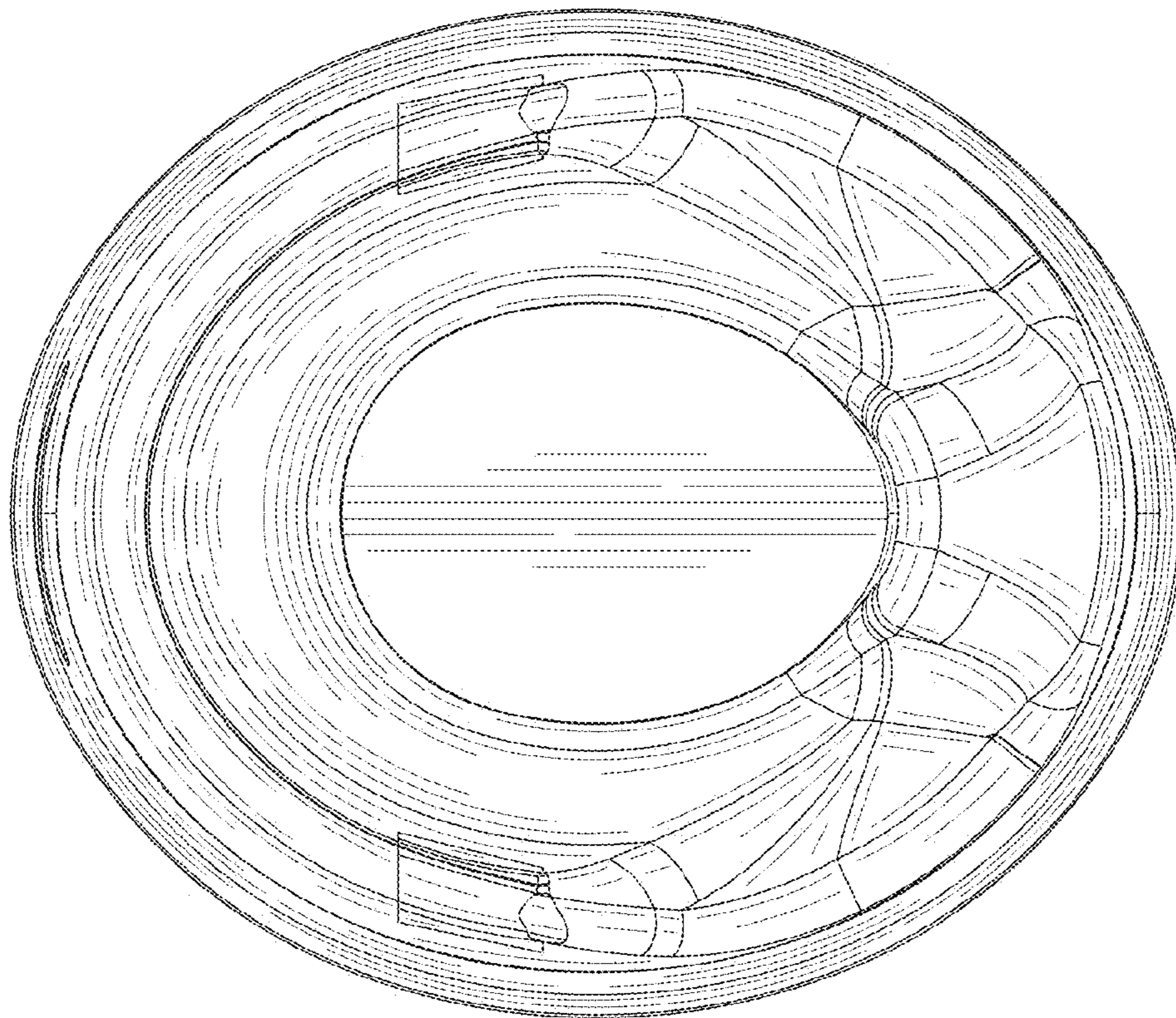


FIG. 11