



US00D716918S

(12) **United States Design Patent**
Kuch et al.

(10) **Patent No.:** **US D716,918 S**

(45) **Date of Patent:** **** Nov. 4, 2014**

(54) **SINK**

(71) Applicant: **BLANCO GmbH + Co KG**,
Oberderdingen (DE)

(72) Inventors: **Oliver Kuch**, Oberderdingen (DE);
Brigitte Ziemann, Eppingen (DE)

(73) Assignee: **BLANCO GmbH + Co KG**,
Oberderdingen (DE)

(**) Term: **14 Years**

(21) Appl. No.: **29/480,186**

(22) Filed: **Jan. 23, 2014**

(51) **LOC (10) Cl.** **23-02**

(52) **U.S. Cl.**
USPC **D23/284**

(58) **Field of Classification Search**
USPC D23/284, 286, 303, 308; 4/619, 630,
4/638, 650, 661
See application file for complete search history.

(56) **References Cited**

U.S. PATENT DOCUMENTS

D541,912 S * 5/2007 Ziemann D23/293.1
D698,905 S * 2/2014 Ziemann et al. D23/293.1

* cited by examiner

Primary Examiner — Robert Delehanty

(74) *Attorney, Agent, or Firm* — Hanley, Flight &
Zimmerman, LLC.

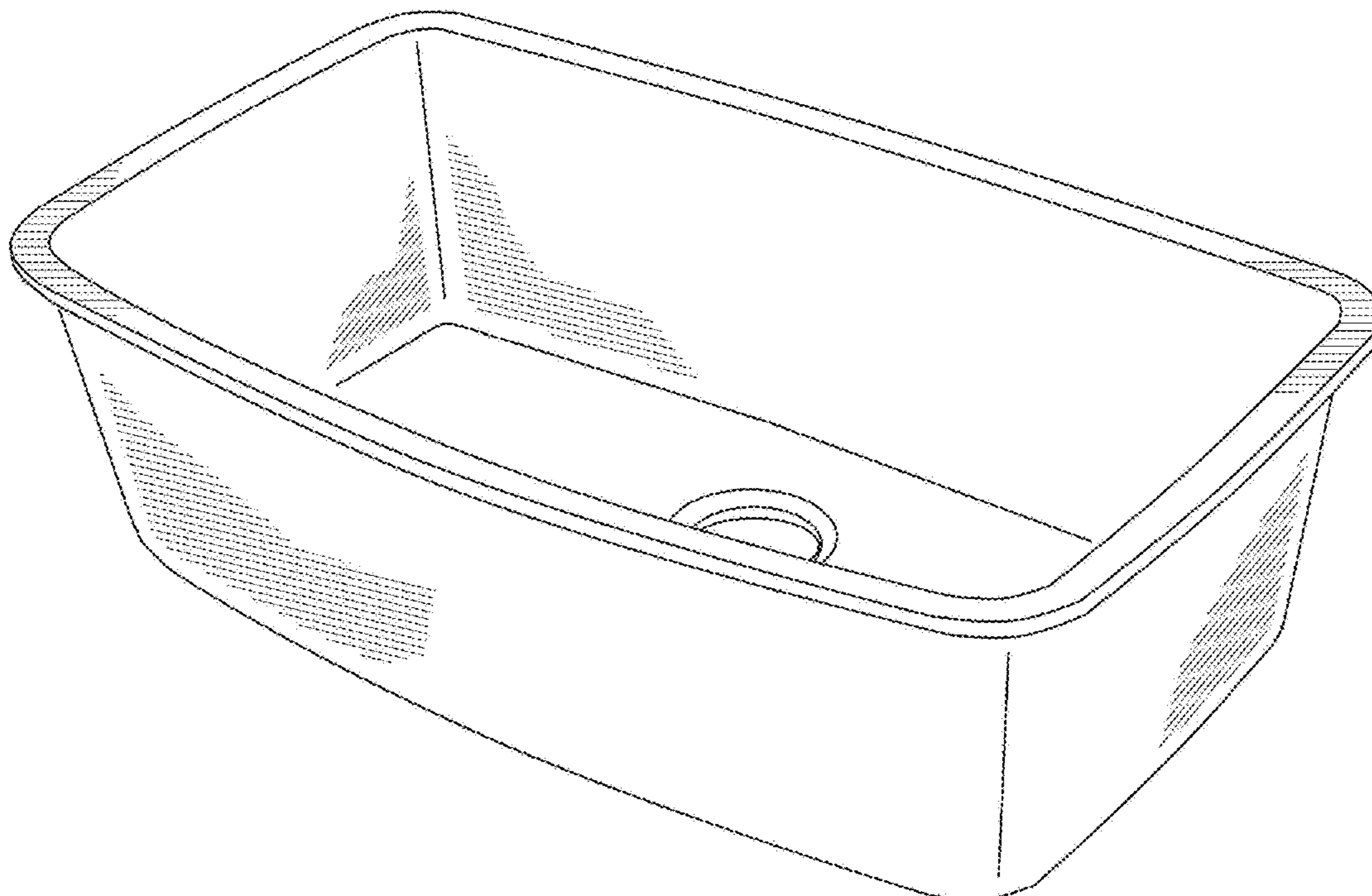
(57) **CLAIM**

The ornamental design for a “sink,” as shown and described.

DESCRIPTION

FIG. 1 is a perspective view of a sink.
FIG. 2 is a top plan view of the sink of FIG. 1.
FIG. 3 is a bottom plan view of the sink of FIG. 1.
FIG. 4 is a front view of the sink of FIG. 1.
FIG. 5 is a rear view of the sink of FIG. 1.
FIG. 6 is a right side view of the sink of FIG. 1; and,
FIG. 7 is a left side view of the sink of FIG. 1.
The features shown in broken lines form no part of the
claimed design. FIGS. 1-7 include solid lines, but it is the
Applicant’s intention to disclose all of the features of FIGS.
1-7 as part of the specification and to reserve the right to claim
any or all of those features in any combination in this or a
continuing application by converting any one or more solid
lines of FIGS. 1-7 into broken lines in order to claim any
aspect(s) of this disclosed design in isolation or in any com-
bination. The Applicant’s disclosure is, thus, not limited to
the initial claim reflected in FIGS. 1-7 but encompasses every
aspect of FIGS. 1-7 alone and/or in combination.

1 Claim, 7 Drawing Sheets



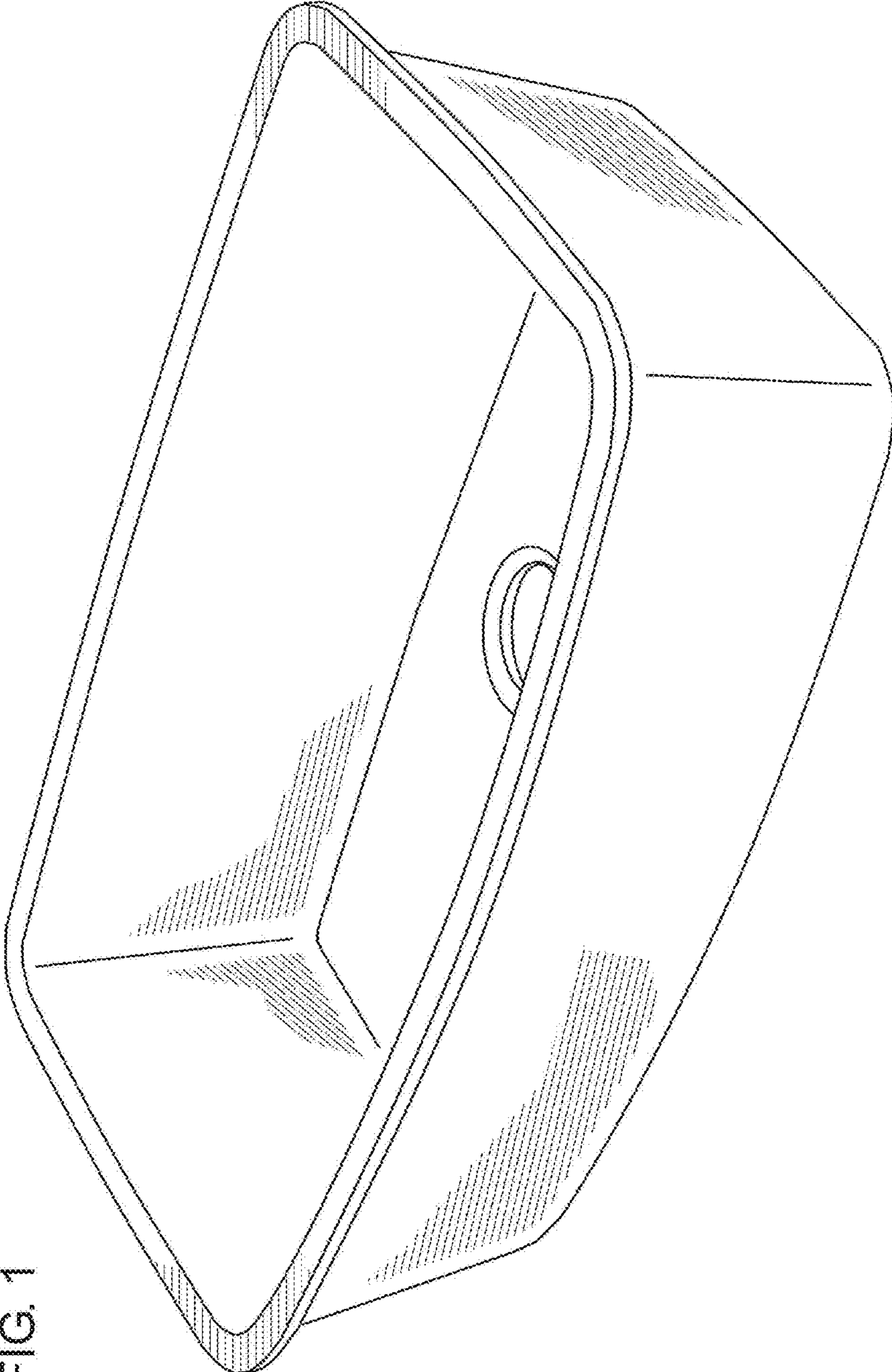


FIG. 1

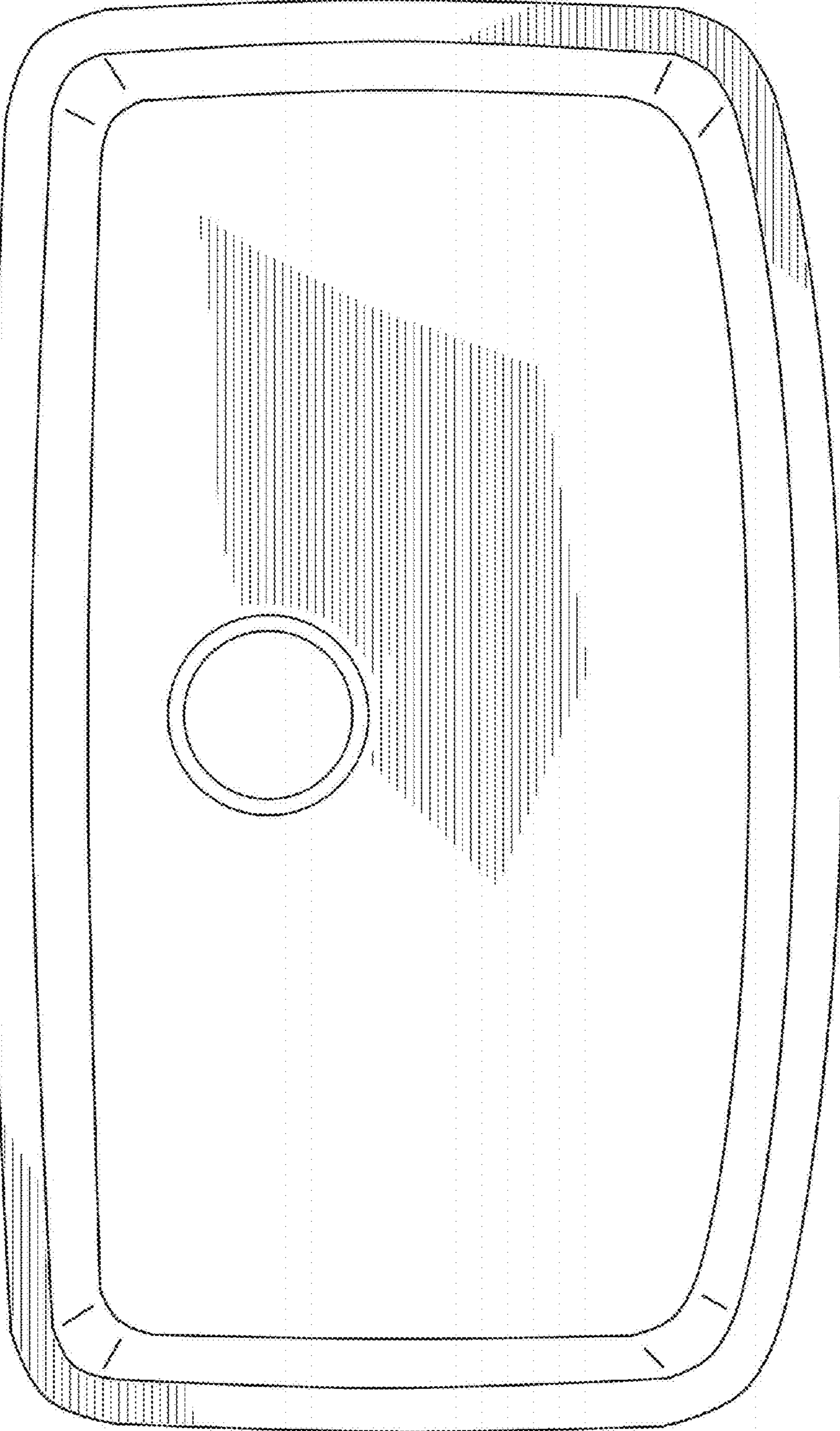


FIG. 2

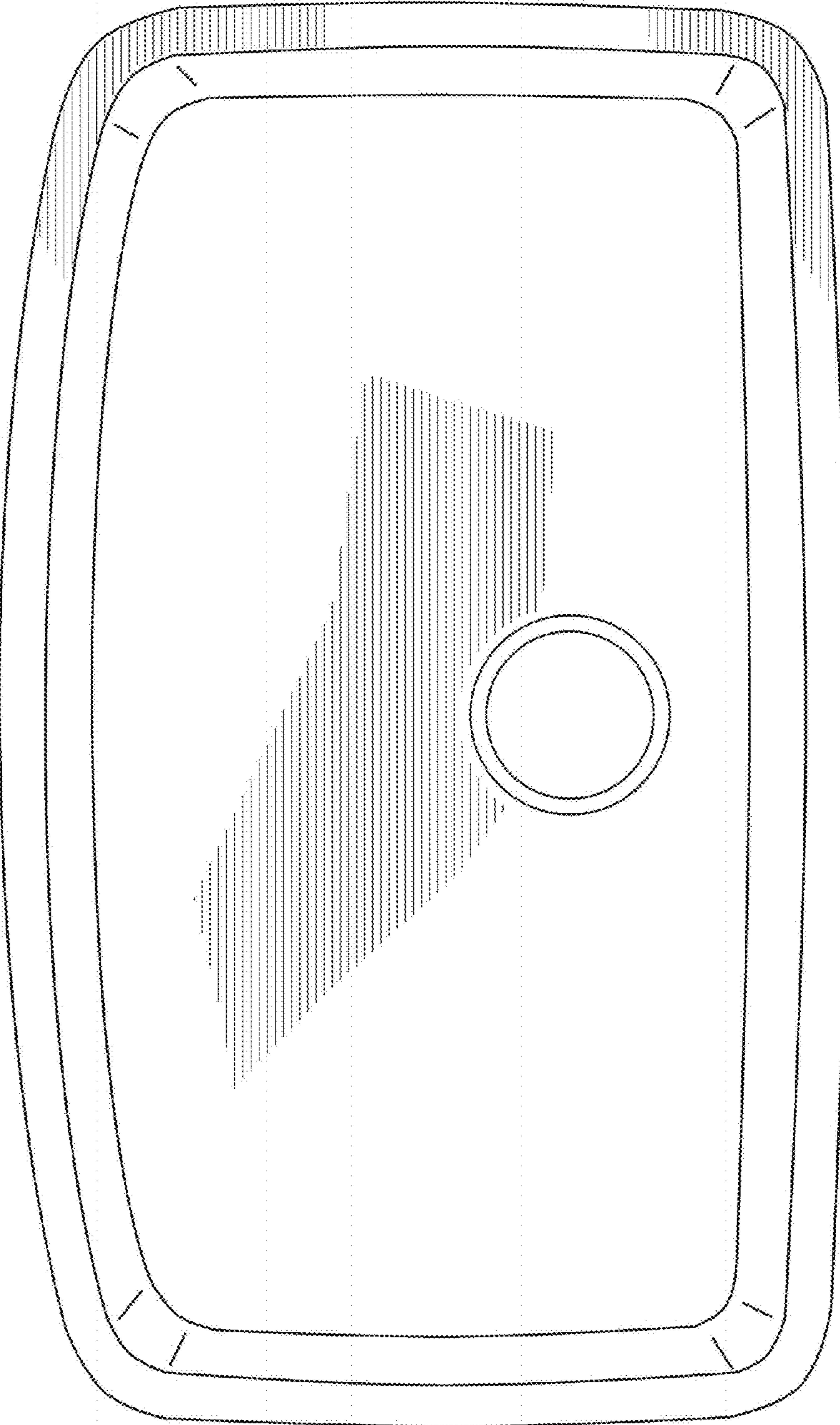


FIG. 3

FIG. 4

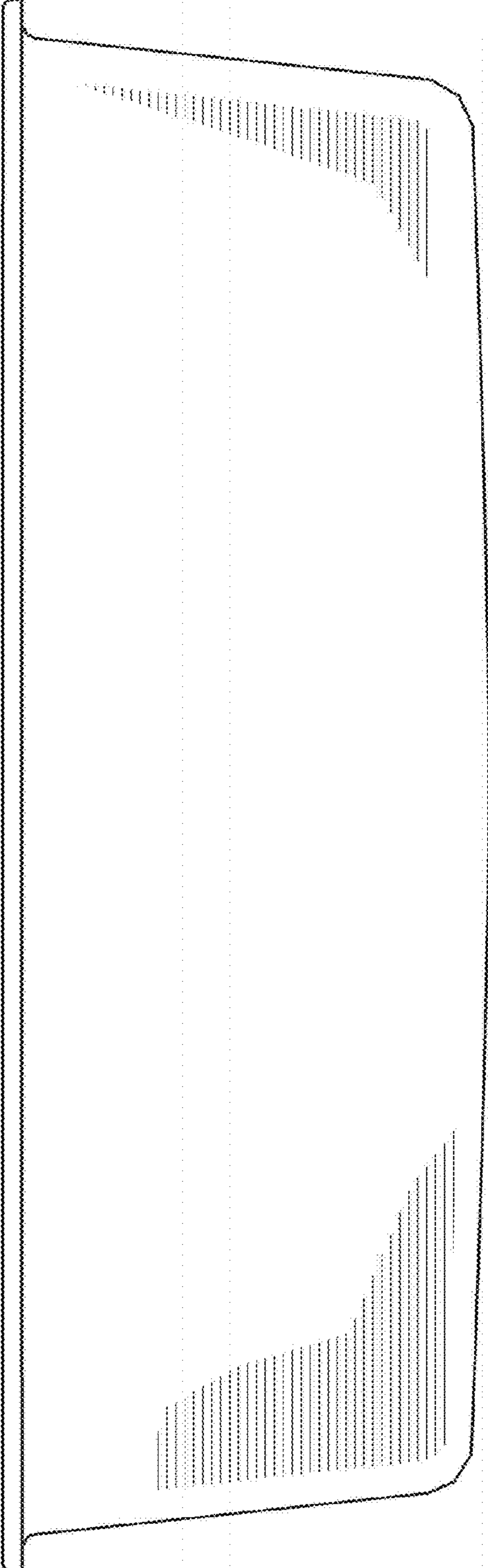


FIG. 5

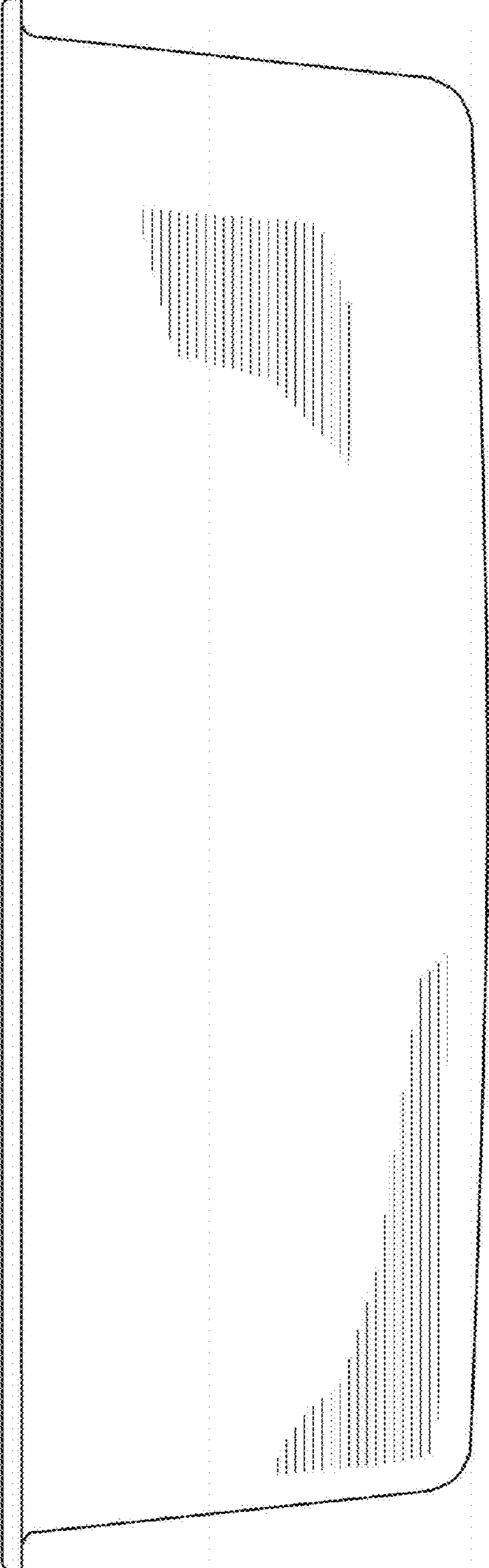


FIG. 6

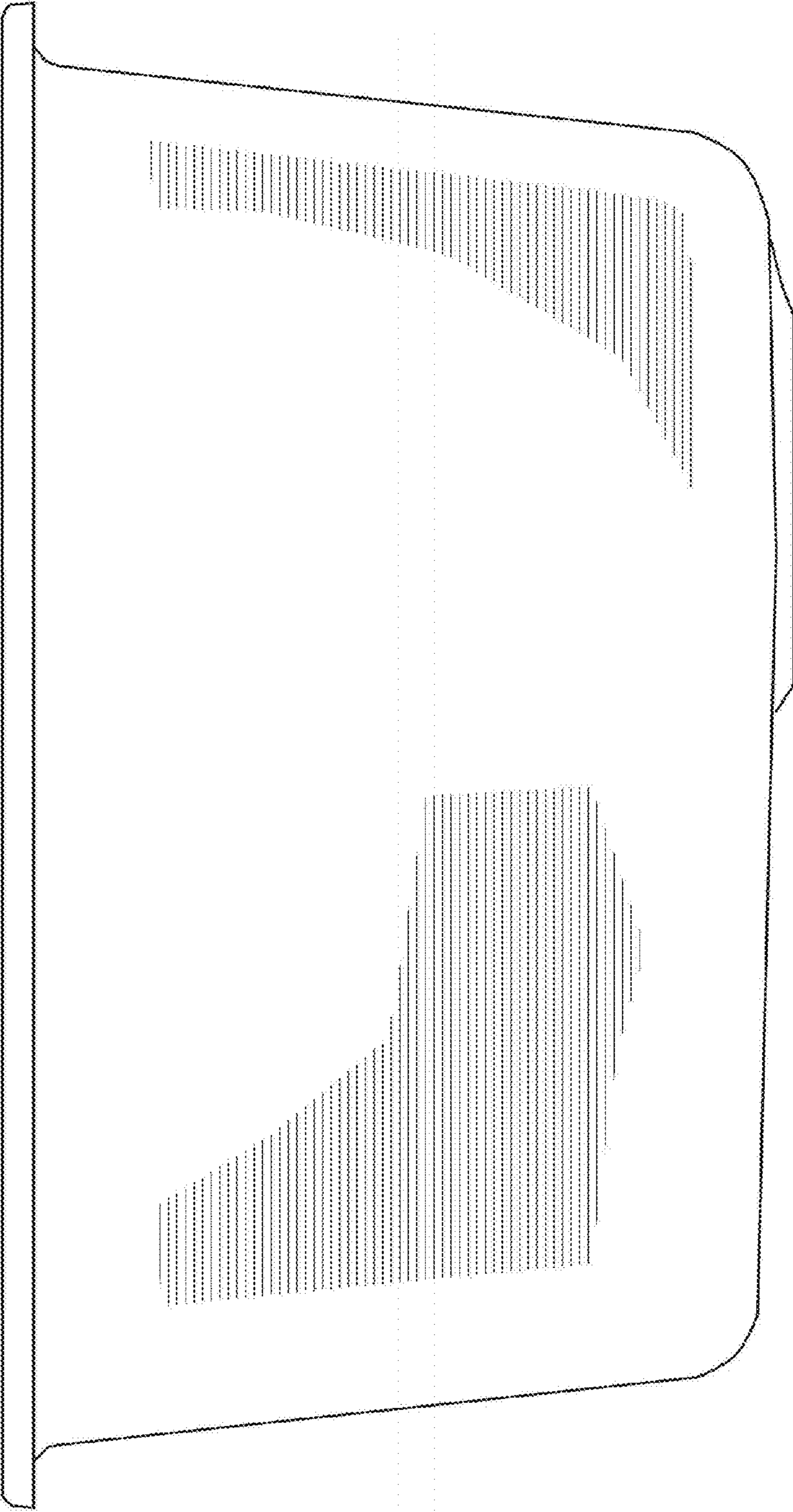


FIG. 7

