



US00D716917S

(12) **United States Design Patent**
Suri

(10) **Patent No.:** **US D716,917 S**

(45) **Date of Patent:** **** *Nov. 4, 2014**

(54) **WALK-IN TUB**

(71) Applicant: **Raj Suri**, San Ramon, CA (US)

(72) Inventor: **Raj Suri**, San Ramon, CA (US)

(*) Notice: This patent is subject to a terminal disclaimer.

(**) Term: **14 Years**

(21) Appl. No.: **29/457,276**

(22) Filed: **Jun. 7, 2013**

(51) **LOC (10) Cl.** **23-02**

(52) **U.S. Cl.**
USPC **D23/279**

(58) **Field of Classification Search**
USPC D24/201, 204, 205; D23/279, 303–306;
601/154–158; 4/555, 556, 538, 584,
4/589, 590, 541.1–541.6, 547, 578.1, 579
See application file for complete search history.

(56) **References Cited**

U.S. PATENT DOCUMENTS

2,322,407 A * 6/1943 Widman D23/280.1
D352,099 S * 11/1994 Andersen D23/279

D617,466 S * 6/2010 Edgar D24/204
8,082,609 B2 * 12/2011 Rydalch 4/590
8,375,478 B2 * 2/2013 Luo 4/556
D686,332 S * 7/2013 Suri D24/204
2005/0102746 A1 * 5/2005 Wright et al. 4/555

* cited by examiner

Primary Examiner — Robert Delehanty

(74) *Attorney, Agent, or Firm* — Theodore J. Bielen, Jr.

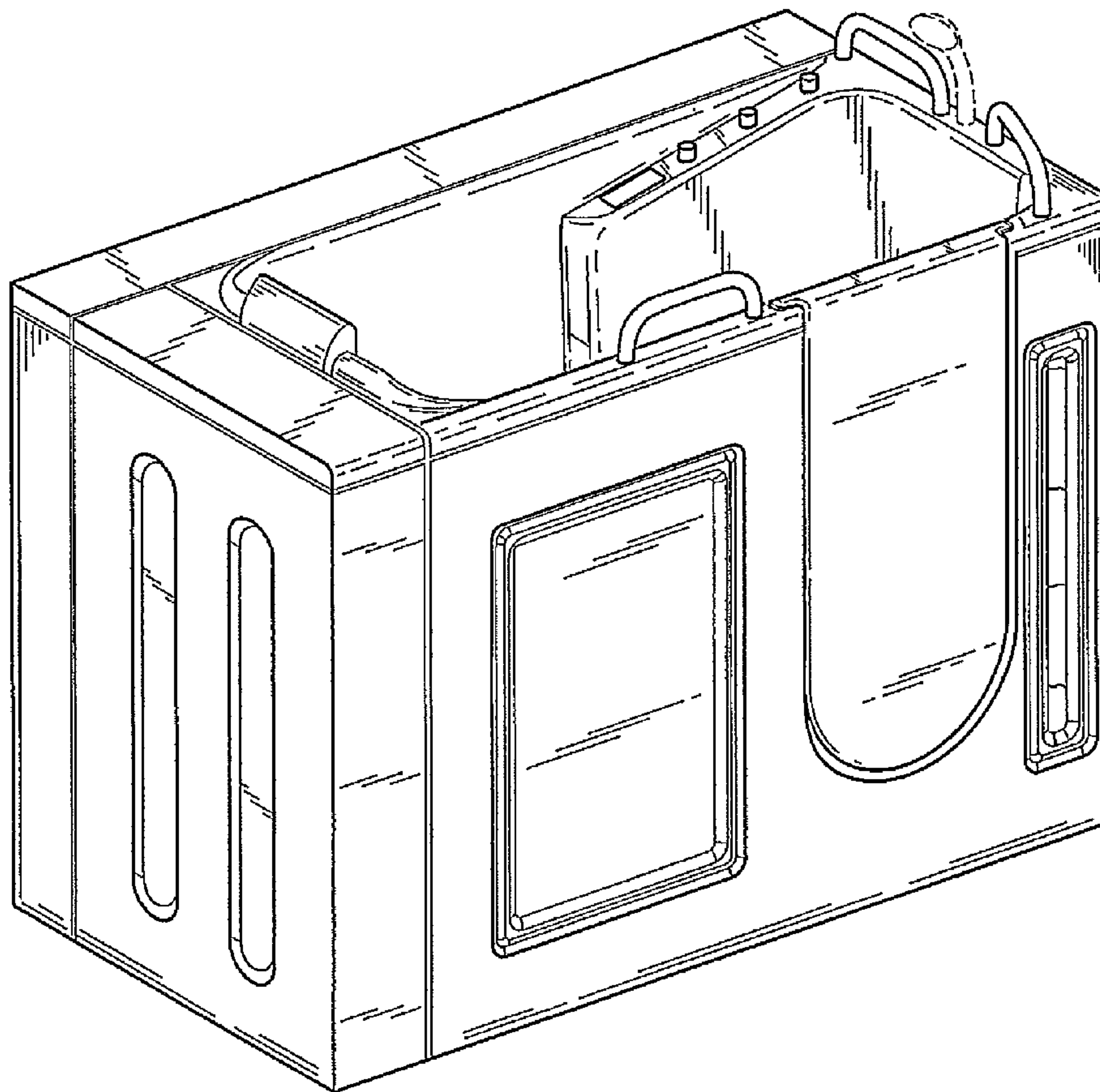
(57) **CLAIM**

The ornamental design for an improved walk-in tub, as shown and described.

DESCRIPTION

FIG. 1 is a top, left side, perspective view of an improved whirlpool tub showing my new design;
FIG. 2 is a front elevational view;
FIG. 3 is a rear elevational view;
FIG. 4 is a top plan view;
FIG. 5 is a left side view;
FIG. 6 is a right side view;
FIG. 7 is a cut-away top right side perspective view showing an interior wall and an interior seat; and,
FIG. 8 is a cut-away, top rear perspective view showing an interior seat, thereof.

1 Claim, 7 Drawing Sheets



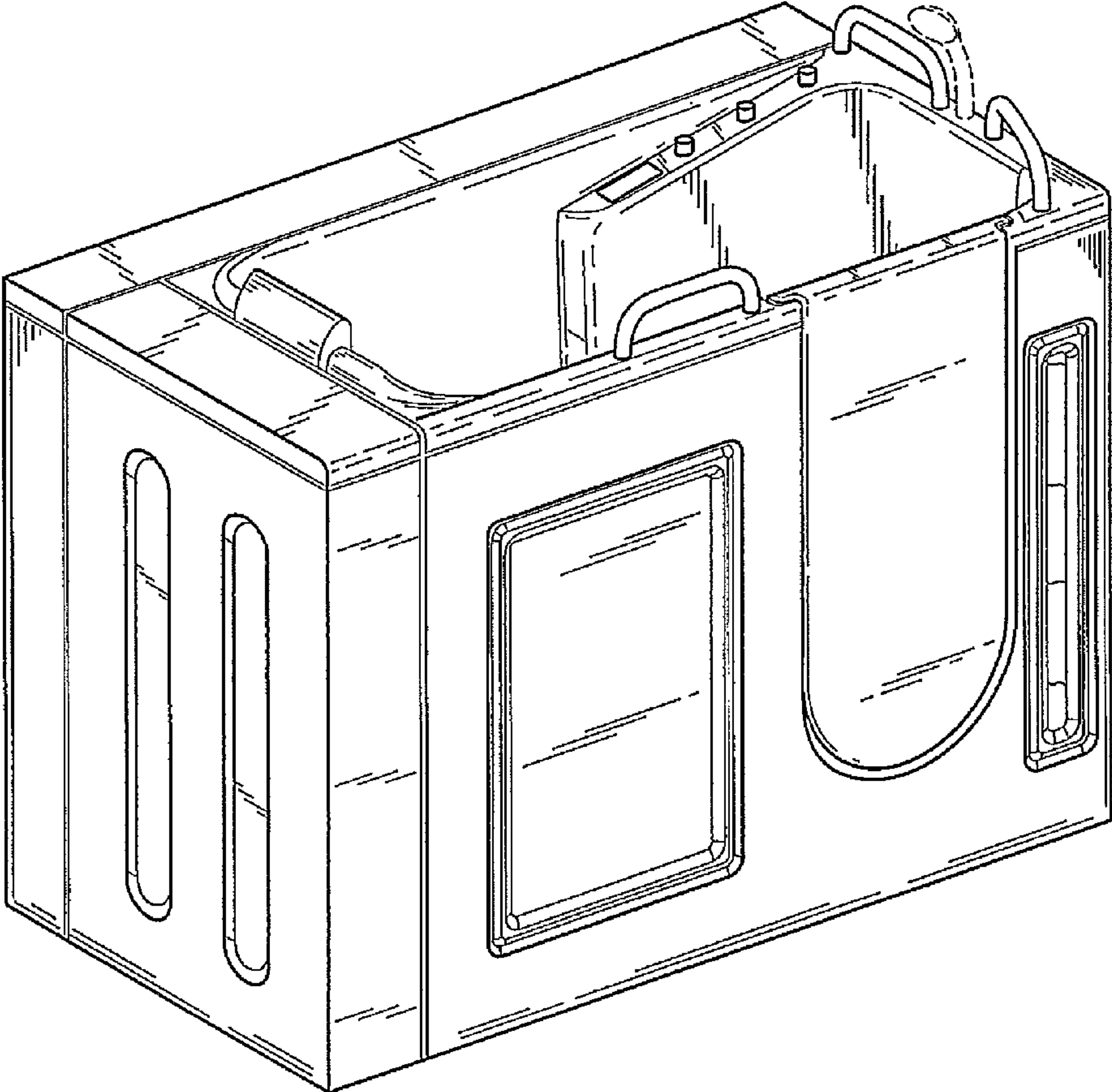


FIG. 1

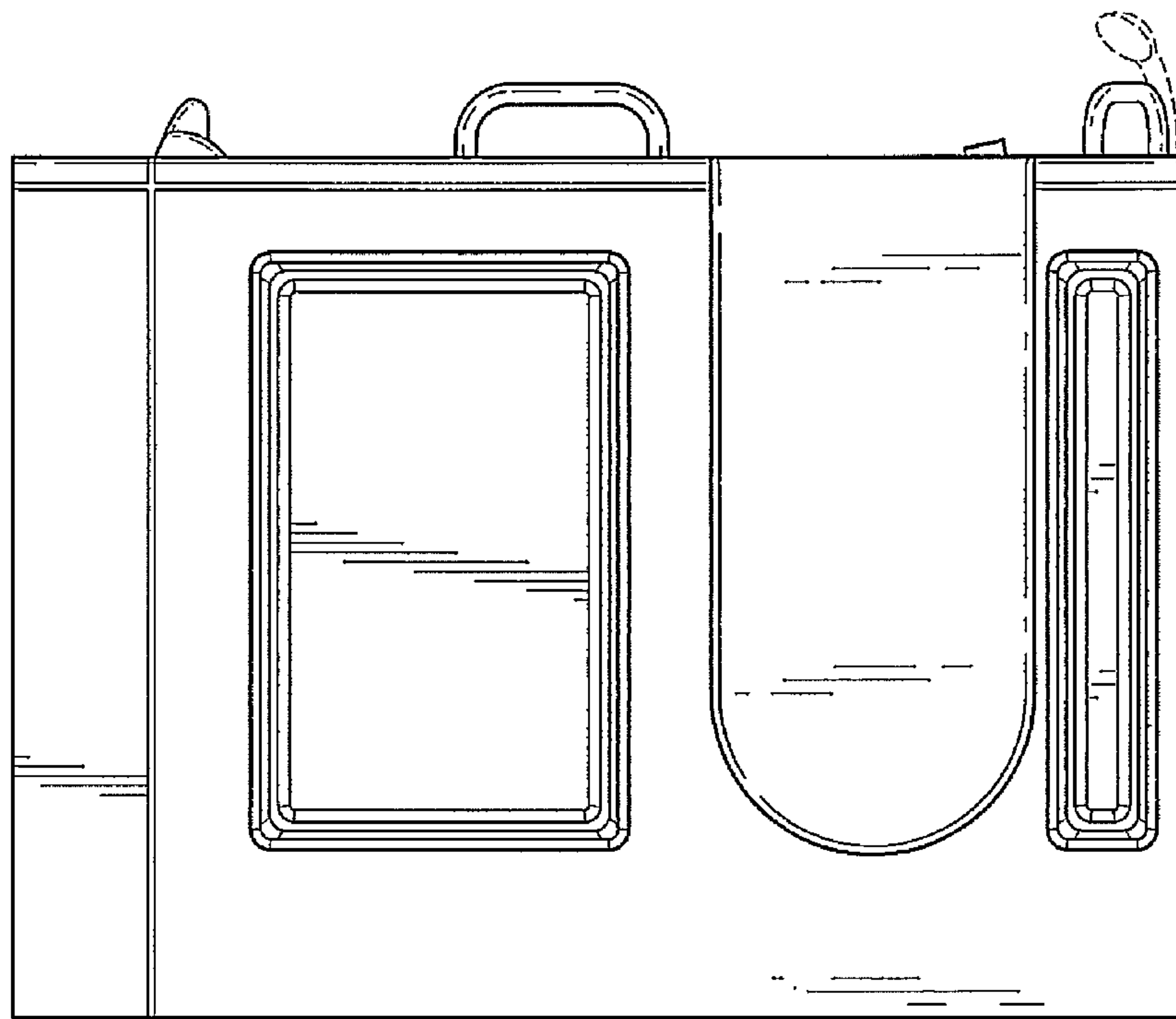


FIG. 2

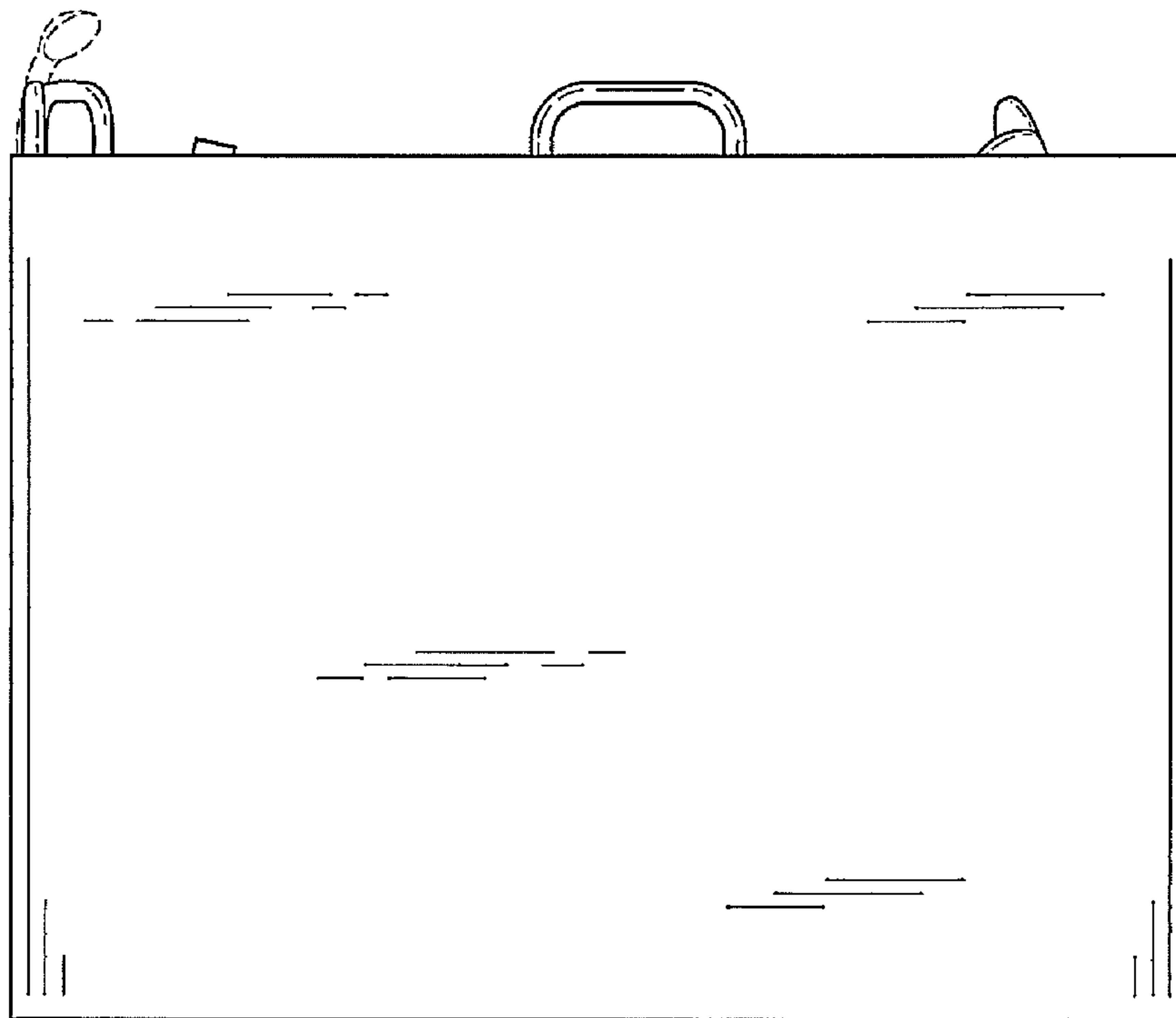


FIG. 3

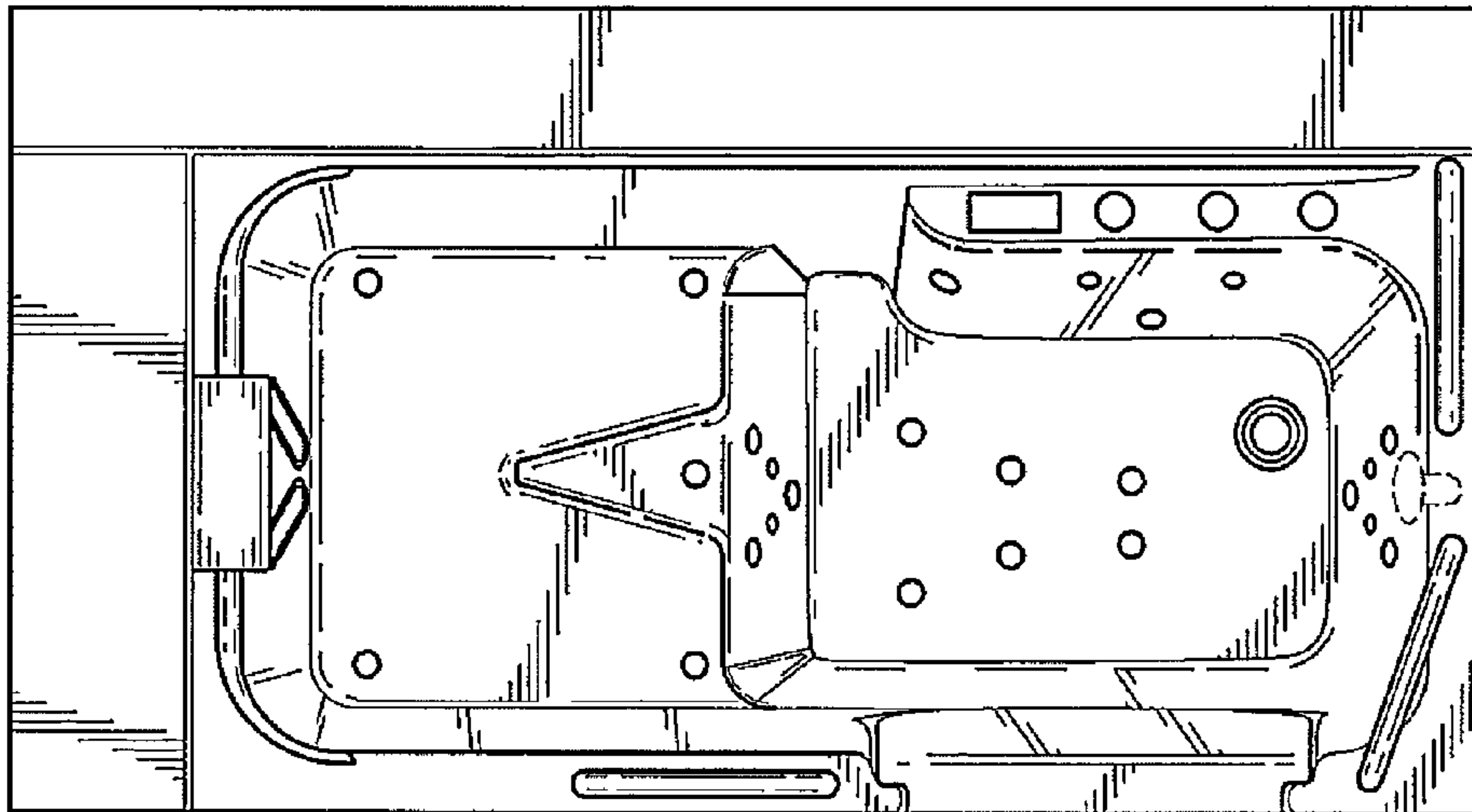


FIG. 4

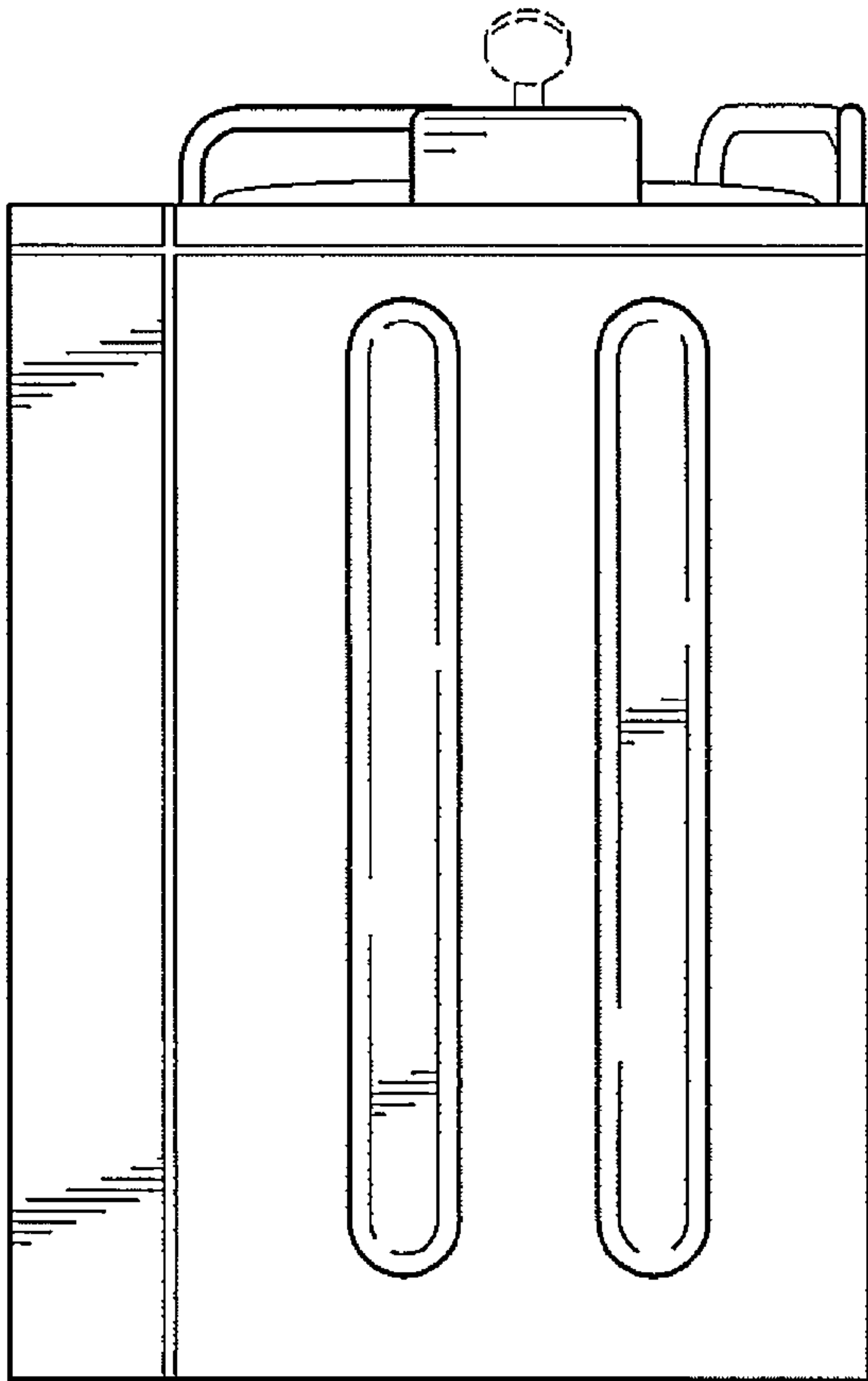


FIG. 5

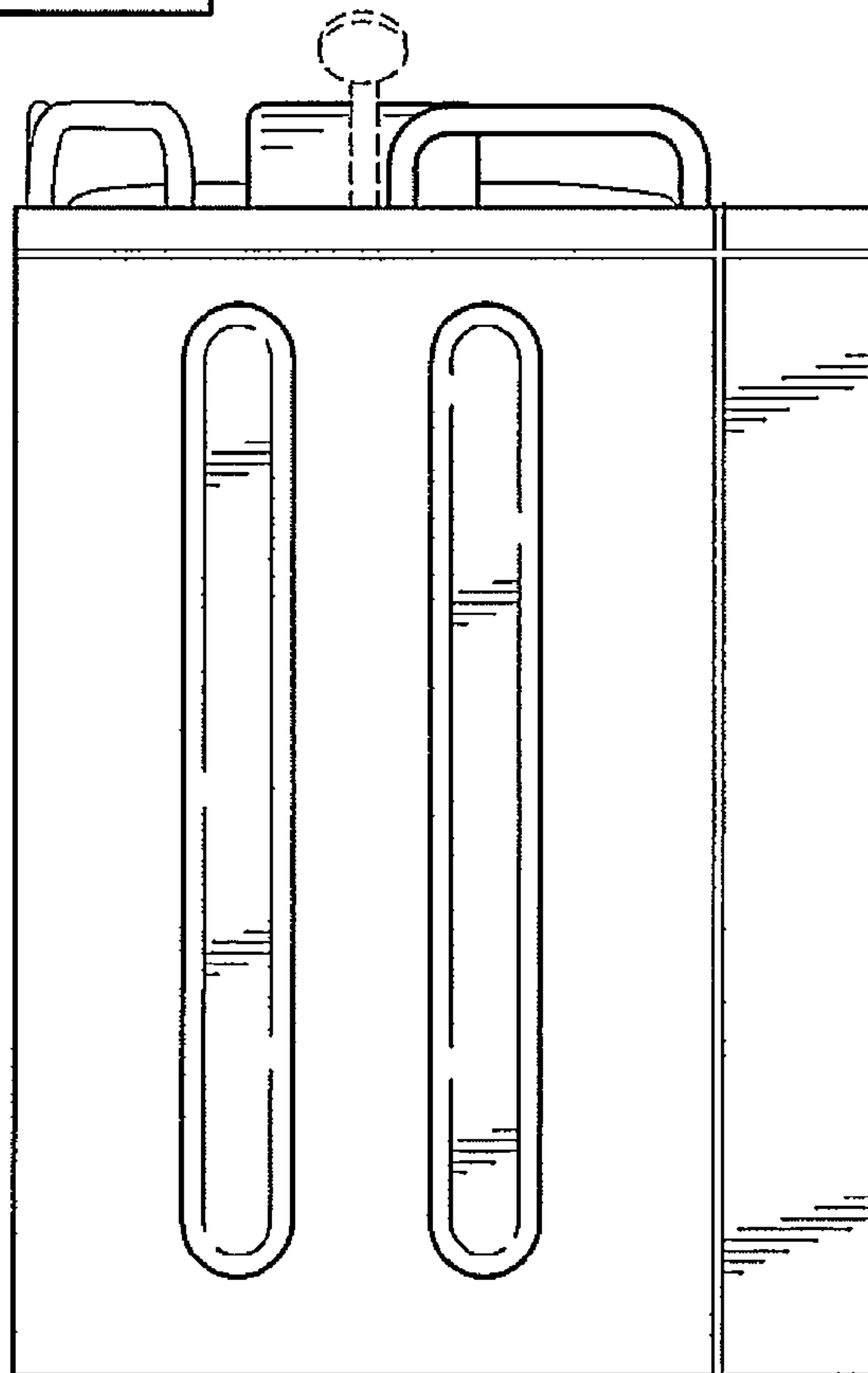


FIG. 6

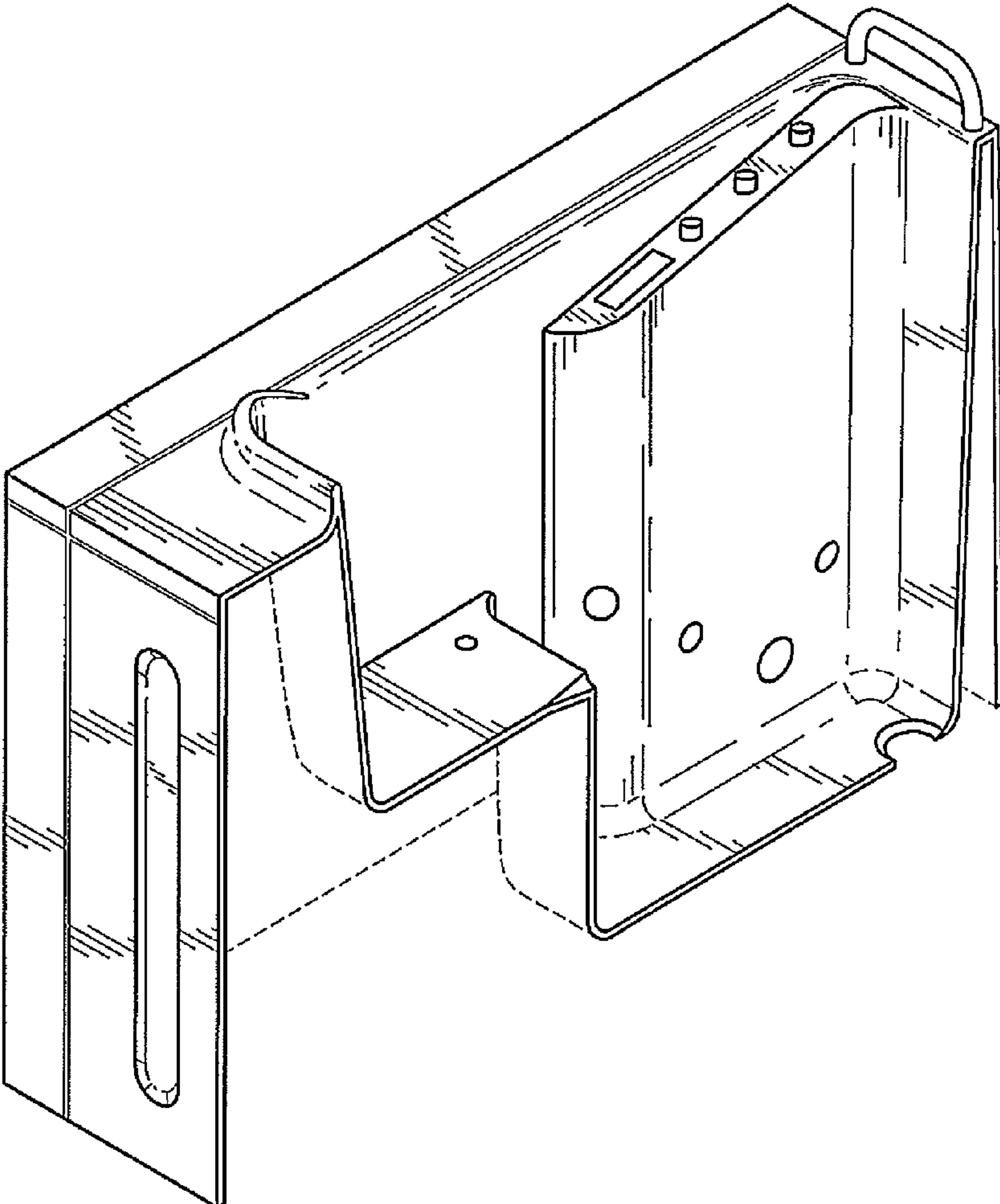


FIG. 7

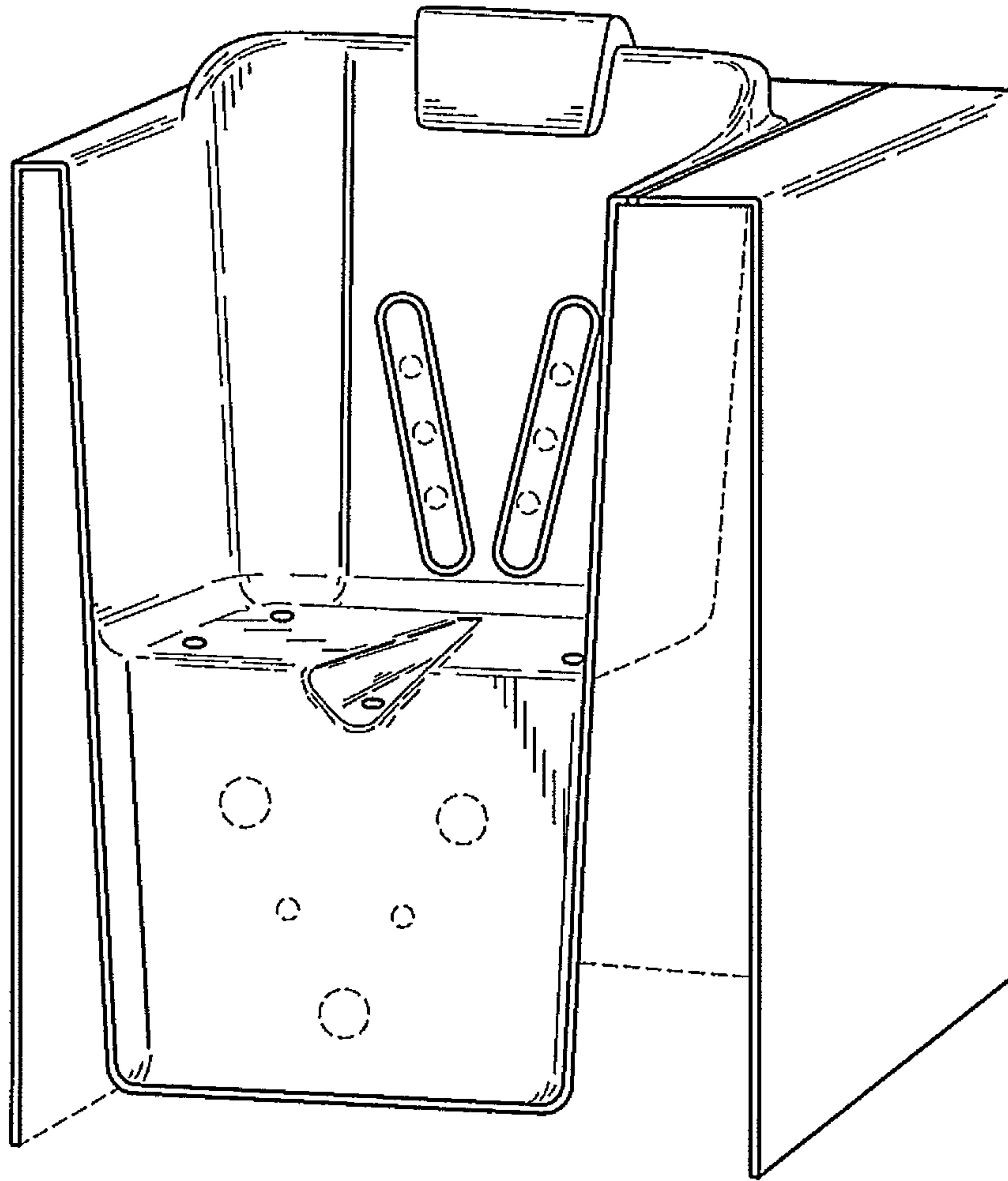


FIG. 8