



US00D716916S

(12) **United States Design Patent**
Snow

(10) **Patent No.:** **US D716,916 S**
(45) **Date of Patent:** **** Nov. 4, 2014**

(54) **VALVED CONNECTOR ASSEMBLY**

(71) Applicant: **Merit Medical Systems, Inc.**, South Jordan, UT (US)

(72) Inventor: **Jeremy W. Snow**, South Jordan, UT (US)

(73) Assignee: **Merit Medical Systems, Inc.**, South Jordan, UT (US)

(**) Term: **14 Years**

(21) Appl. No.: **29/435,009**

(22) Filed: **Oct. 18, 2012**

(51) **LOC (10) Cl.** **23-01**

(52) **U.S. Cl.**
USPC **D23/262**

(58) **Field of Classification Search**
USPC D23/259-269, 386, 393; 285/12, 63, 285/88, 405; 4/252.4; D9/435-437
See application file for complete search history.

(56) **References Cited**

U.S. PATENT DOCUMENTS

D33,260	S	*	9/1900	Kelly	D23/263
1,029,819	A	*	6/1912	Nylander	285/88
3,162,470	A	*	12/1964	Owens et al.	285/86
D213,957	S	*	4/1969	Myerly	D23/262
4,143,853	A		3/1979	Abramson		
4,387,879	A		6/1983	Tauschinski		
4,844,512	A	*	7/1989	Gahwiler	285/39
D313,067	S	*	12/1990	Kotake et al.	D23/262
5,062,836	A		11/1991	Wendell		
5,064,416	A		11/1991	Newgard et al.		

(Continued)

FOREIGN PATENT DOCUMENTS

JP	S6121107	5/1986
JP	2825663	11/1998
JP	4116785	7/2008

OTHER PUBLICATIONS

Office Action dated Sep. 30, 2009 for U.S. Appl. No. 12/151,889.

(Continued)

Primary Examiner — Eric Goodman

Assistant Examiner — John Reickel

(74) *Attorney, Agent, or Firm* — Stoel Rives LLP

(57) **CLAIM**

The ornamental design for a valved connector assembly, as shown and described.

DESCRIPTION

FIG. 1 is a perspective view of a first embodiment of a valved connector assembly.

FIG. 2 is a second perspective view of the valved connector assembly of FIG. 1.

FIG. 3 is a top view of the valved connector assembly of FIG. 1.

FIG. 4 is a bottom view of the valved connector assembly of FIG. 1. Front and rear views of the first embodiment of the valved connector assembly are analogous to the top and bottom views of FIGS. 3 and 4.

FIG. 5 is a right side view of the valved connector assembly of FIG. 1.

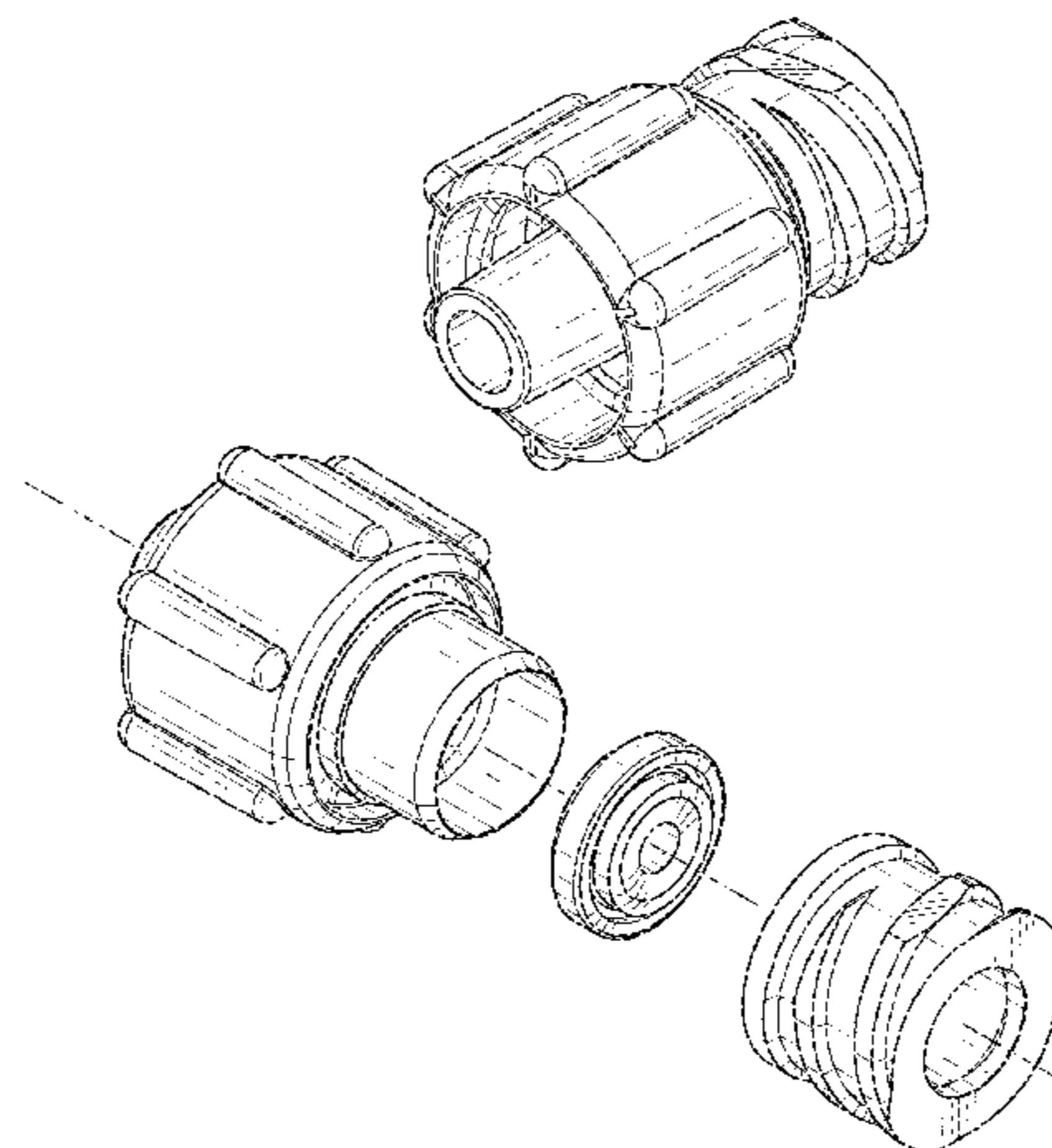
FIG. 6 is a left side view of the valved connector assembly of FIG. 1.

FIG. 7 is an enlarged cross-sectional view of a portion of the valved connector assembly of FIG. 6, taken through plane 7-7.

FIG. 8 is an exploded perspective view of a second embodiment of a valved connector assembly. The second embodiment of the valved connector is identical to the first embodiment shown in FIGS. 1-7 when the second embodiment is in an assembled state; and,

FIG. 9 is a second exploded perspective view of the valved connector assembly of FIG. 8.

1 Claim, 4 Drawing Sheets



(56)

References Cited

U.S. PATENT DOCUMENTS

5,300,034 A 4/1994 Behnke et al.
 5,312,363 A 5/1994 Ryan et al.
 5,456,675 A 10/1995 Wolbring et al.
 5,464,400 A 11/1995 Collins
 5,584,808 A 12/1996 Healy
 D387,146 S * 12/1997 Morrison D23/262
 5,989,233 A 11/1999 Yoon
 6,113,068 A 9/2000 Ryan
 D441,436 S * 5/2001 Chao D23/262
 6,287,280 B1 9/2001 Lampropoulos et al.
 6,482,188 B1 11/2002 Rogers et al.
 D476,957 S * 7/2003 Chudoba et al. D13/151
 D482,761 S * 11/2003 Gotoh et al. D23/262
 6,651,956 B2 11/2003 Miller
 6,669,681 B2 12/2003 Jepson et al.
 D495,050 S * 8/2004 Guala D24/129
 6,971,390 B1 12/2005 Vasek et al.
 7,140,592 B2 11/2006 Phillips
 D569,955 S * 5/2008 Chen D23/262
 D570,457 S * 6/2008 Brown D23/262
 7,434,846 B2 * 10/2008 Baumgartner 285/319
 D583,026 S * 12/2008 Dirneder D23/262
 7,497,484 B2 * 3/2009 Ziman 285/402
 D594,938 S * 6/2009 Dirneder D23/262
 D627,038 S * 11/2010 Yu D23/260

D627,039 S * 11/2010 Yu D23/260
 D645,547 S * 9/2011 Lombardi et al. D23/262
 D648,008 S * 11/2011 Percoco et al. D23/262
 D649,228 S * 11/2011 Drenth D23/259
 D674,058 S * 1/2013 Yu D23/262
 8,377,039 B2 2/2013 Utterberg et al.
 2003/0141477 A1 7/2003 Miller
 2004/0143219 A1 7/2004 Lee et al.
 2007/0043334 A1 2/2007 Guala
 2008/0018105 A1 * 1/2008 Le Bars 285/305
 2008/0140055 A1 6/2008 Shirley
 2010/0022951 A1 1/2010 Ferrera et al.

OTHER PUBLICATIONS

International Search Report and Written Opinion dated Apr. 20, 2010 for PCT/US2010/23491.
 Office Action dated Jun. 23, 2010 for U.S. Appl. No. 12/151,889.
 Office Action dated Dec. 27, 2010 for U.S. Appl. No. 12/151,889.
 Notice of Allowance dated Jun. 3, 2011 for U.S. Appl. No. 12/151,889.
 Notice of Allowance dated Apr. 9, 2012 for U.S. Appl. No. 12/701,995.
 Office Action dated Dec. 22, 2011 for U.S. Appl. No. 12/701,995.
 Office Action dated Jul. 15, 2011 for U.S. Appl. No. 12/701,995.
 Office Action dated Jan. 7, 2014 for U.S. Appl. No. 13/495,608.

* cited by examiner

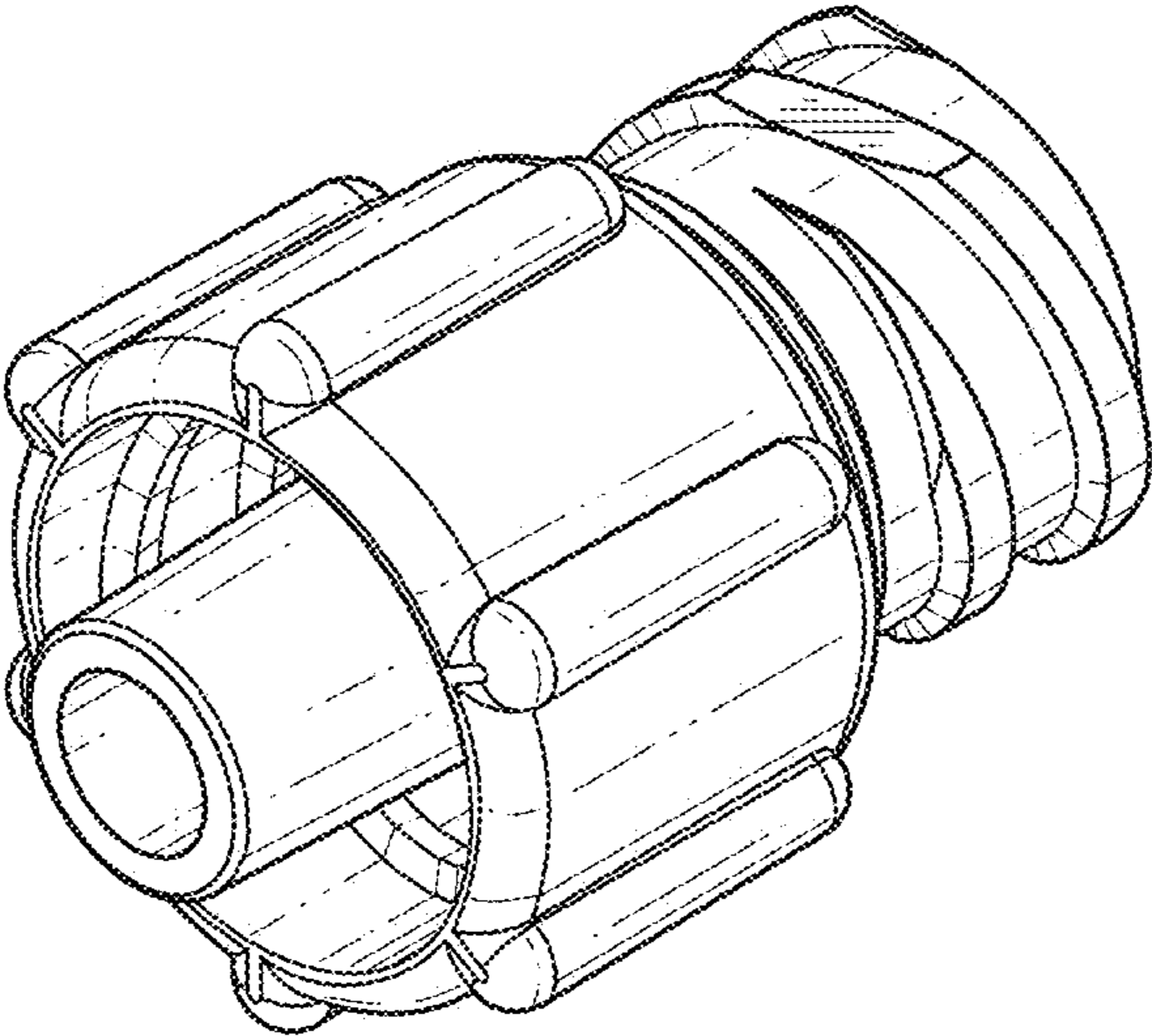


FIG. 1

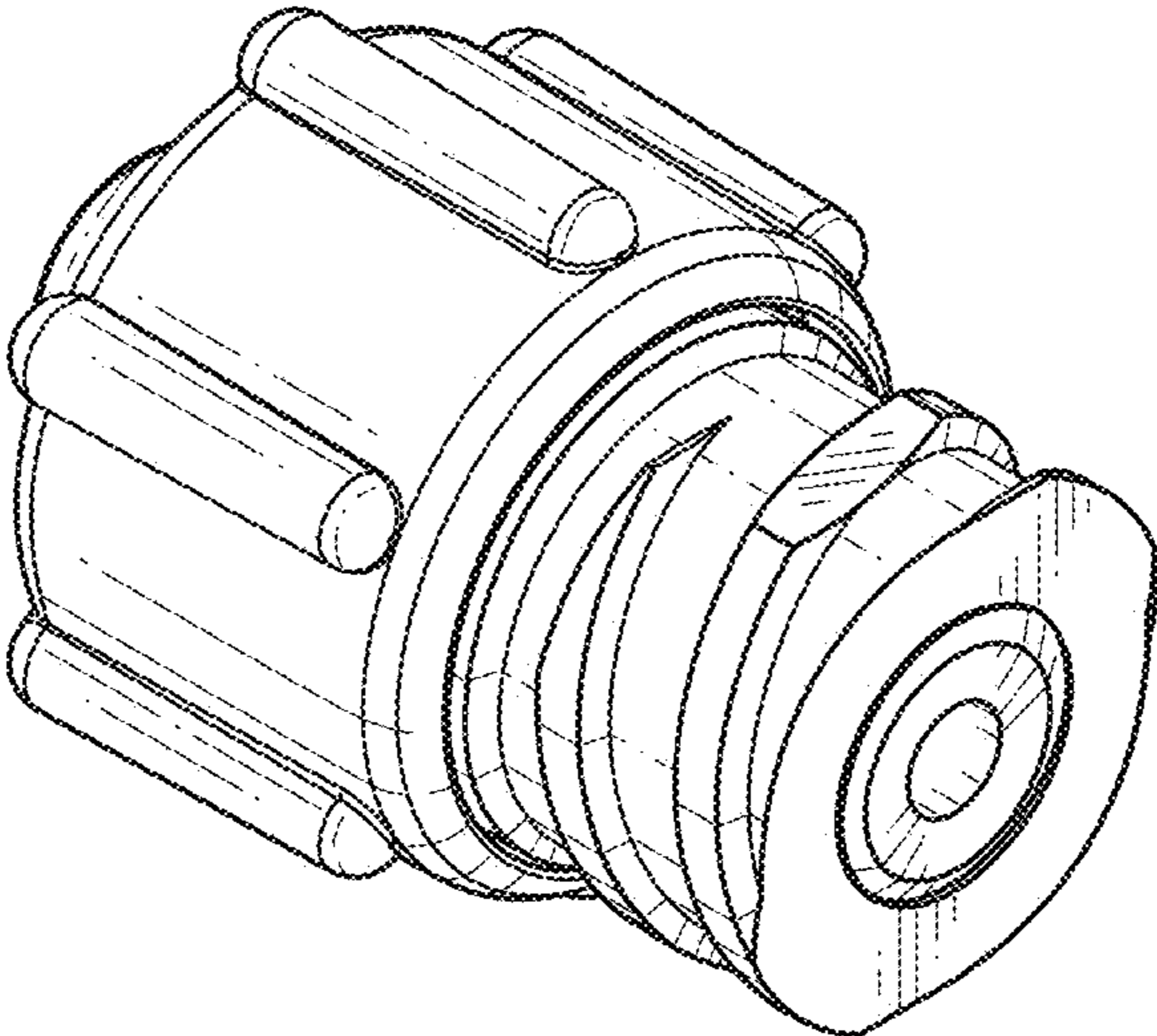


FIG. 2

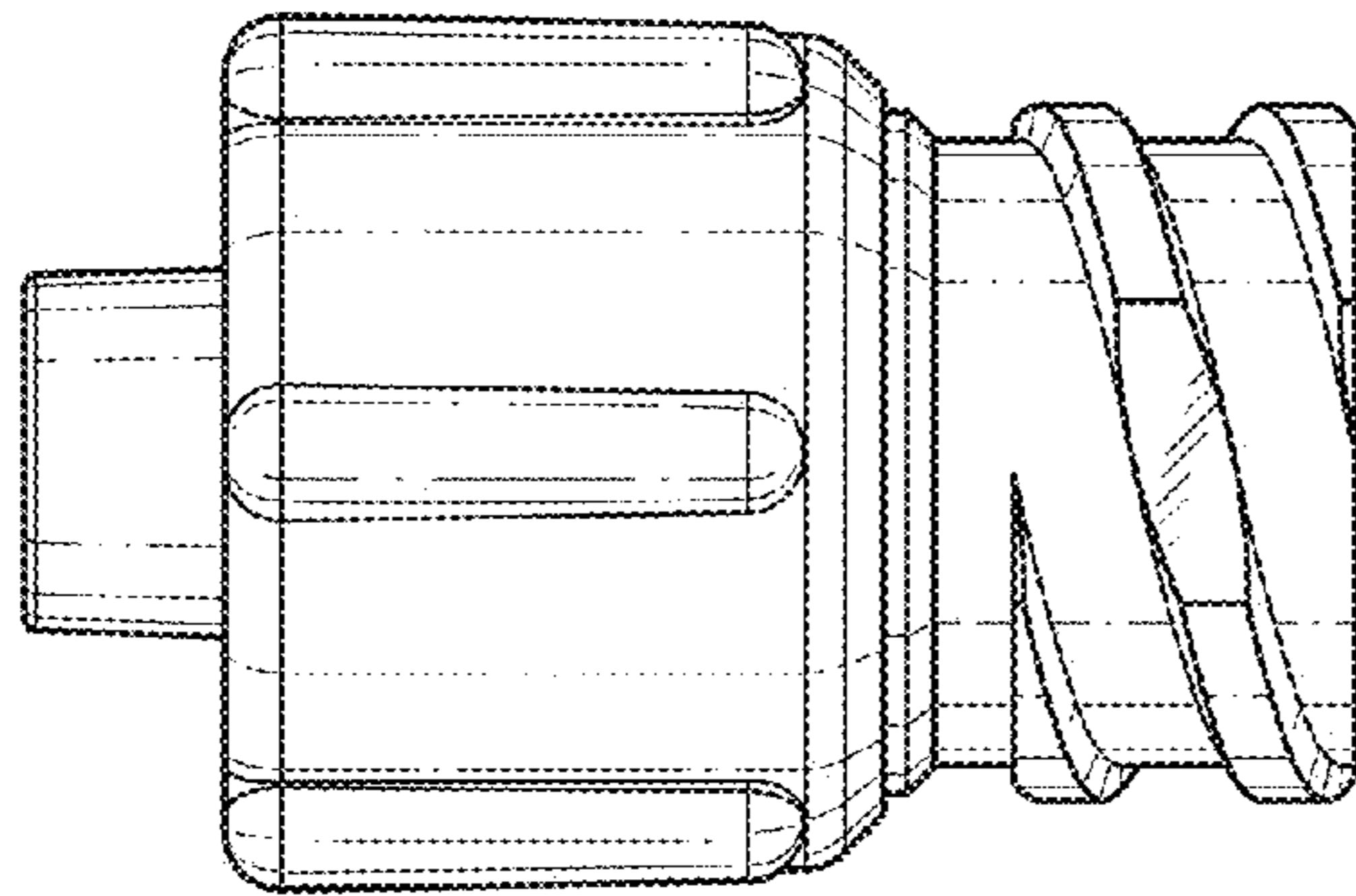


FIG. 3

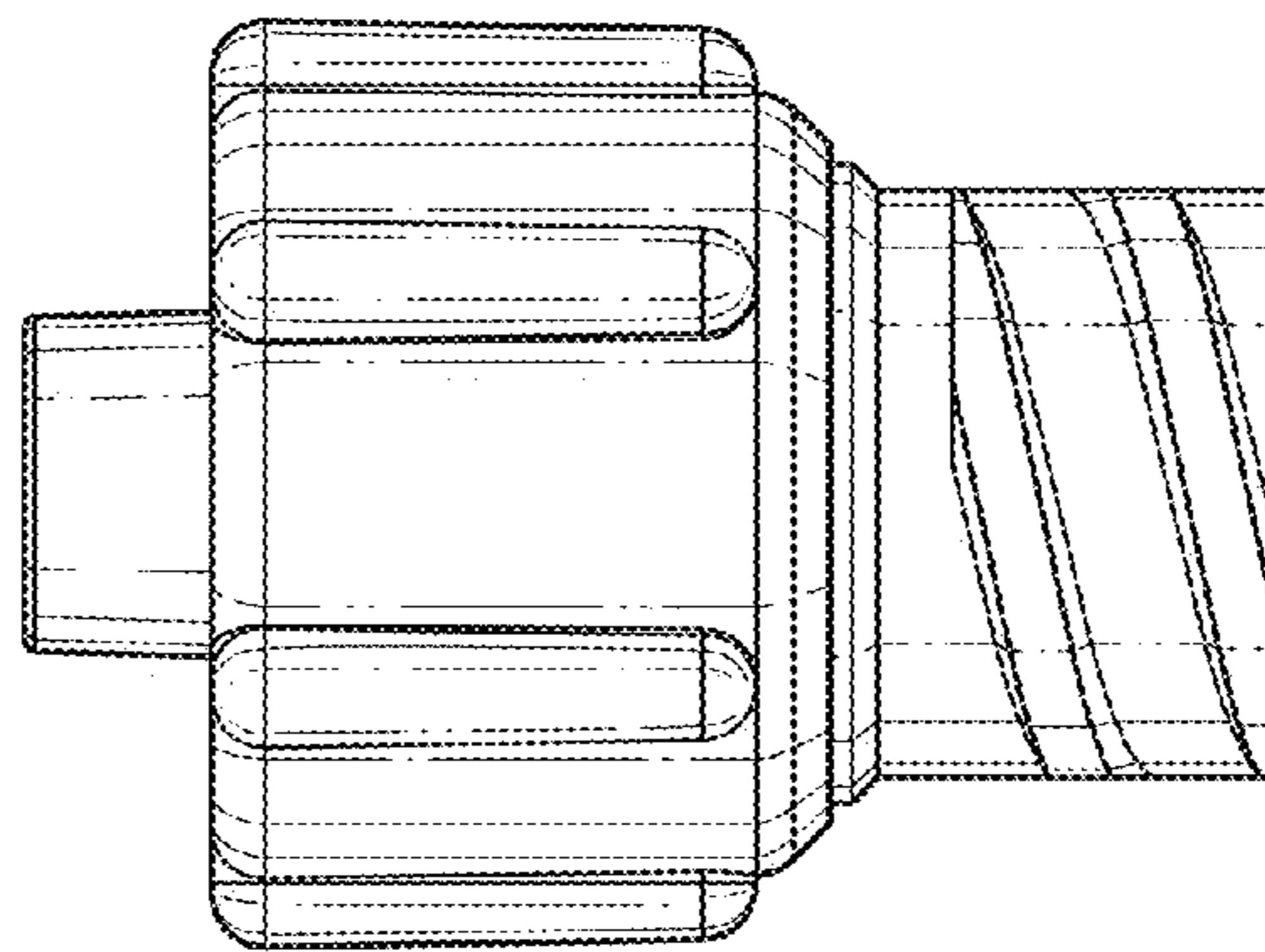


FIG. 4

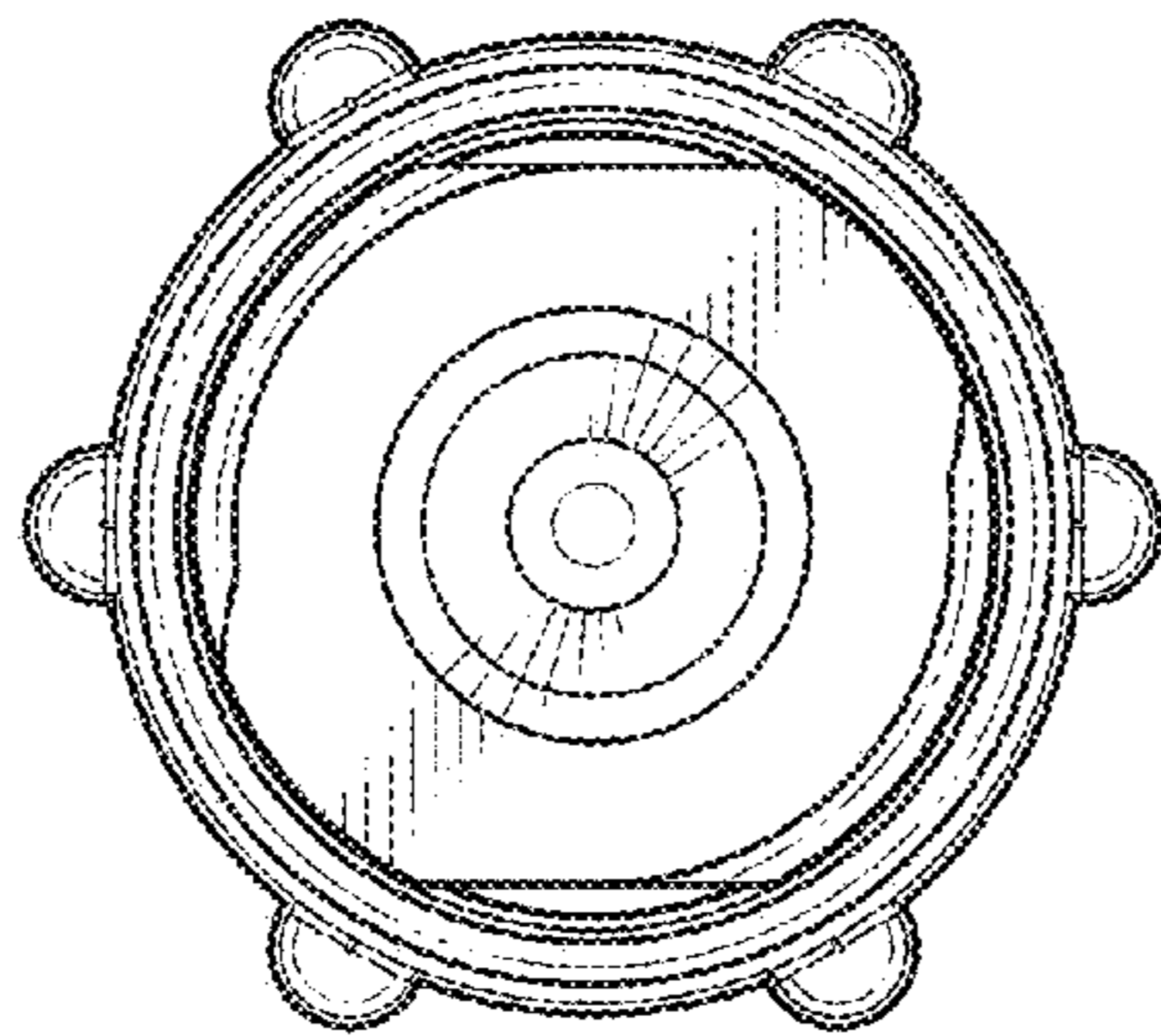


FIG. 5

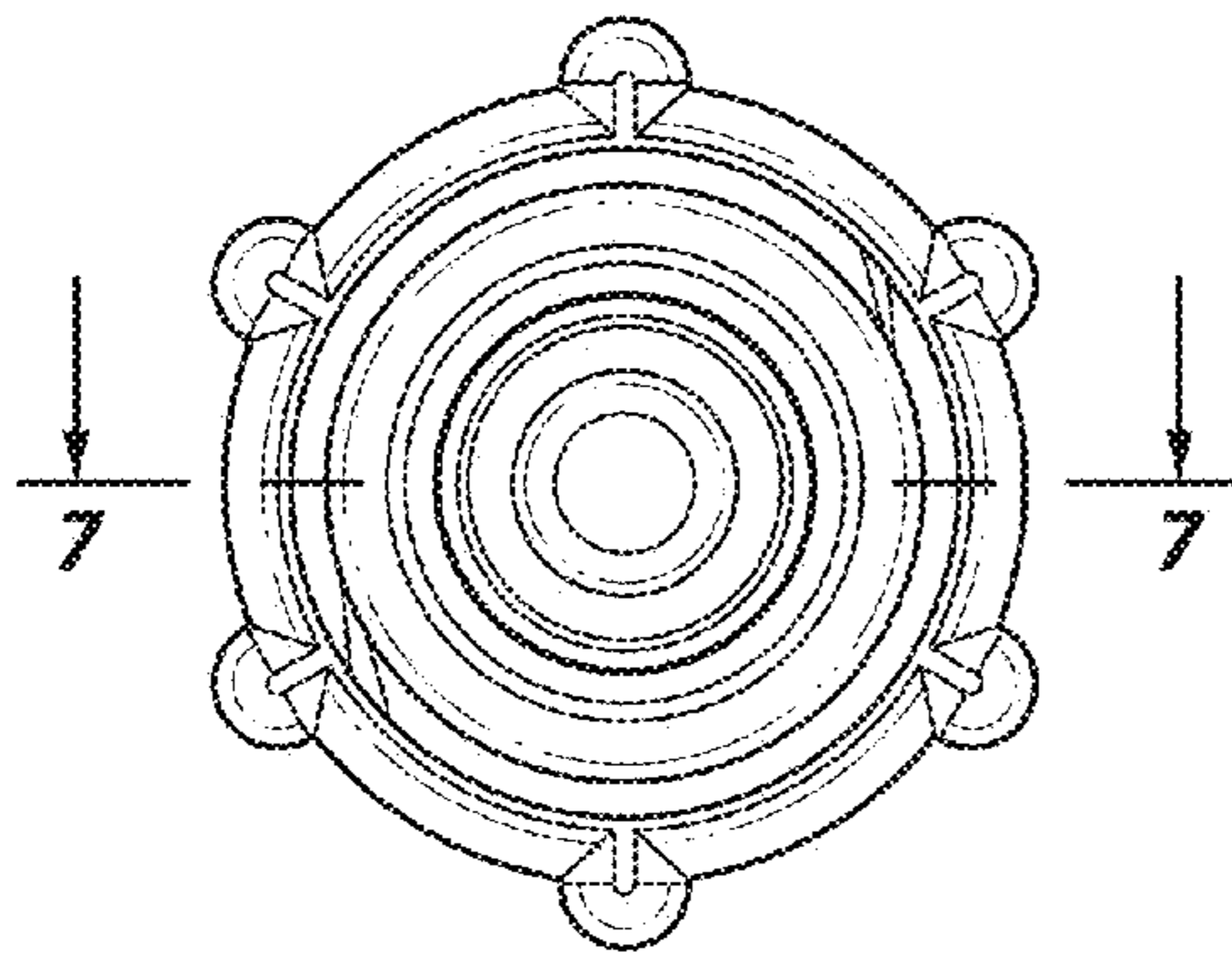


FIG. 6

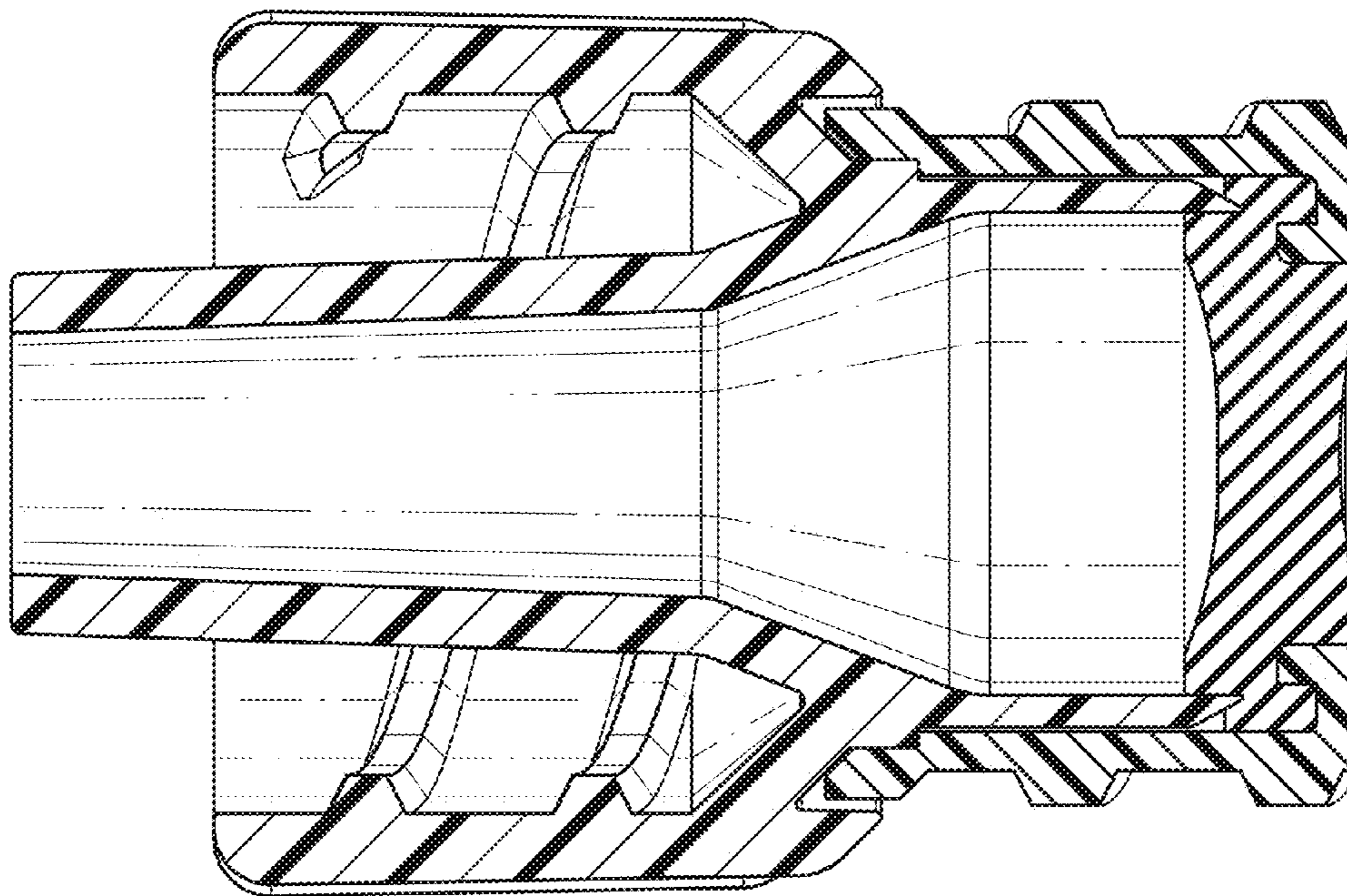


FIG. 7
(X2 Scale)

