

US00D716914S

(12) **United States Design Patent**
Wilbanks

(10) **Patent No.:** **US D716,914 S**

(45) **Date of Patent:** **** Nov. 4, 2014**

(54) **BATHROOM FAUCET ATTACHMENT**

D641,069 S * 7/2011 Sabato D23/233
D685,059 S * 6/2013 Wing D23/233
2013/0042937 A1* 2/2013 Cai 137/861

(71) Applicant: **Danny Wayne Wilbanks**, Bolivar, TN
(US)

* cited by examiner

(72) Inventor: **Danny Wayne Wilbanks**, Bolivar, TN
(US)

Primary Examiner — Cynthia Ramirez
(74) *Attorney, Agent, or Firm* — Waddey Patterson; Mark A. Pitchford

(**) Term: **14 Years**

(57) **CLAIM**

(21) Appl. No.: **29/439,837**

The ornamental design for a bathroom faucet attachment, as shown and described.

(22) Filed: **Feb. 11, 2013**

DESCRIPTION

(51) **LOC (10) Cl.** **23-01**

(52) **U.S. Cl.**
USPC **D23/249**

(58) **Field of Classification Search**
USPC D23/233–237, 244–249; 137/807, 615,
137/625.5, 625.27, 625.44, 625.48, 627.5;
4/675–687

See application file for complete search history.

FIG. 1 is a front perspective view of the bathroom faucet attachment showing my new design;
FIG. 2 is a top plan view thereof;
FIG. 3 is a front elevational view thereof;
FIG. 4 is a bottom plan view thereof;
FIG. 5 is a rear elevational view thereof;
FIG. 6 is a left side view thereof;
FIG. 7 is a right side view thereof; and,
FIG. 8 is a front view of the attachment in relation with the bathroom faucet.

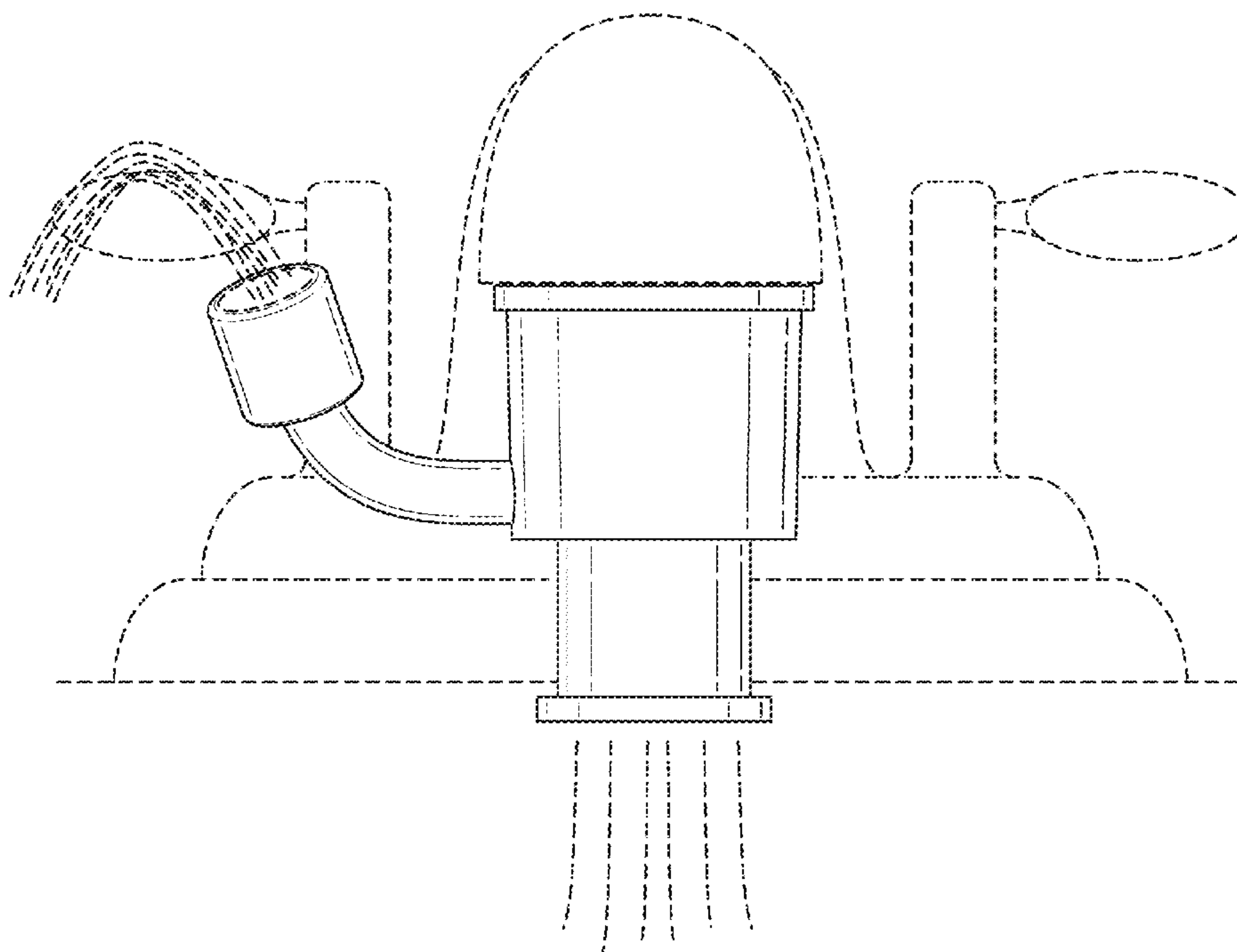
The broken line showing of a faucet is included for the purpose of illustrating environment and forms no part of the claimed design.

(56) **References Cited**

U.S. PATENT DOCUMENTS

2,168,701 A * 8/1939 Buttner 222/6
5,023,961 A * 6/1991 Alonso 4/448
5,419,363 A * 5/1995 Robinson 137/360
D517,656 S * 3/2006 Shieh D23/249

1 Claim, 3 Drawing Sheets



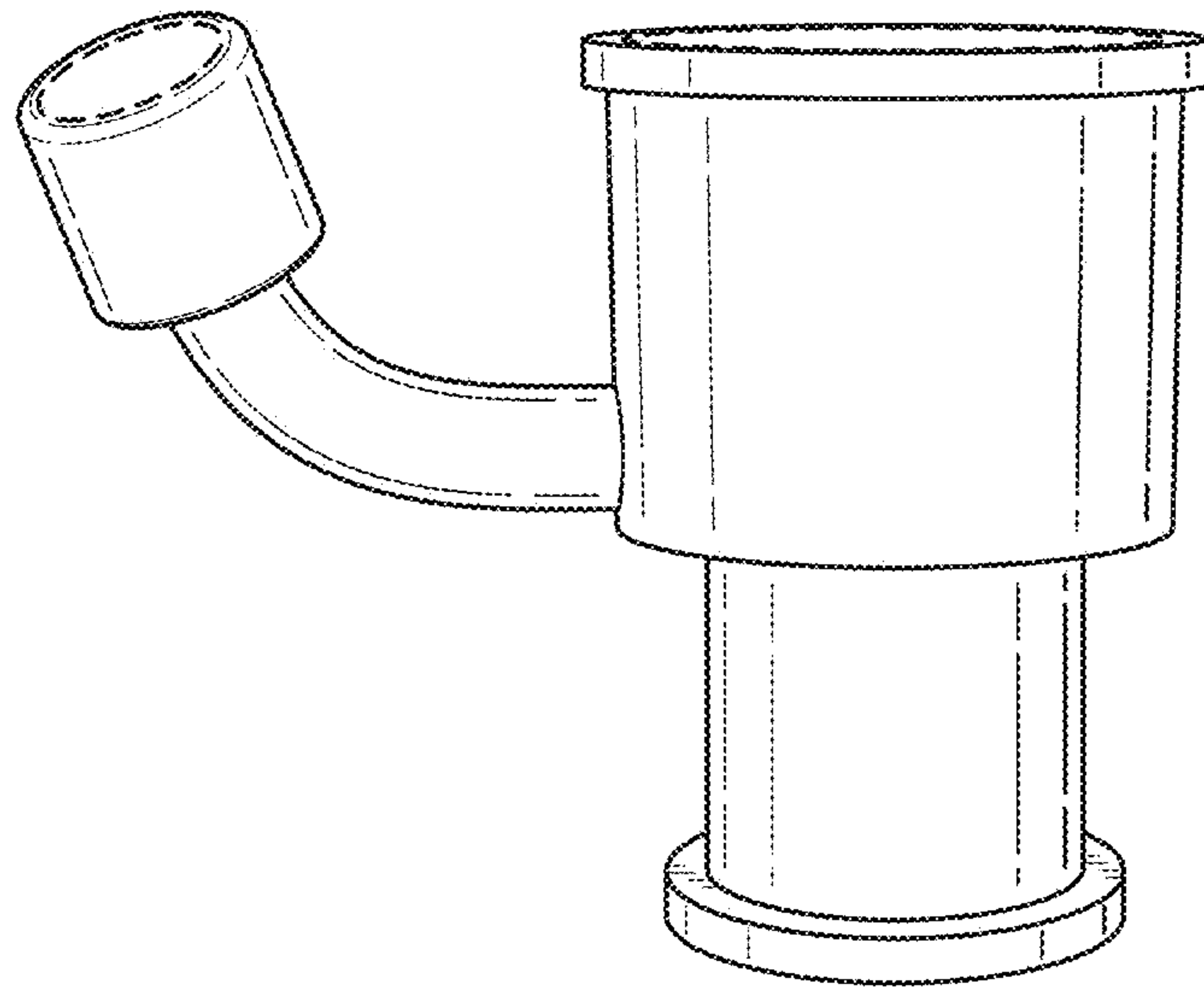


FIG. 1

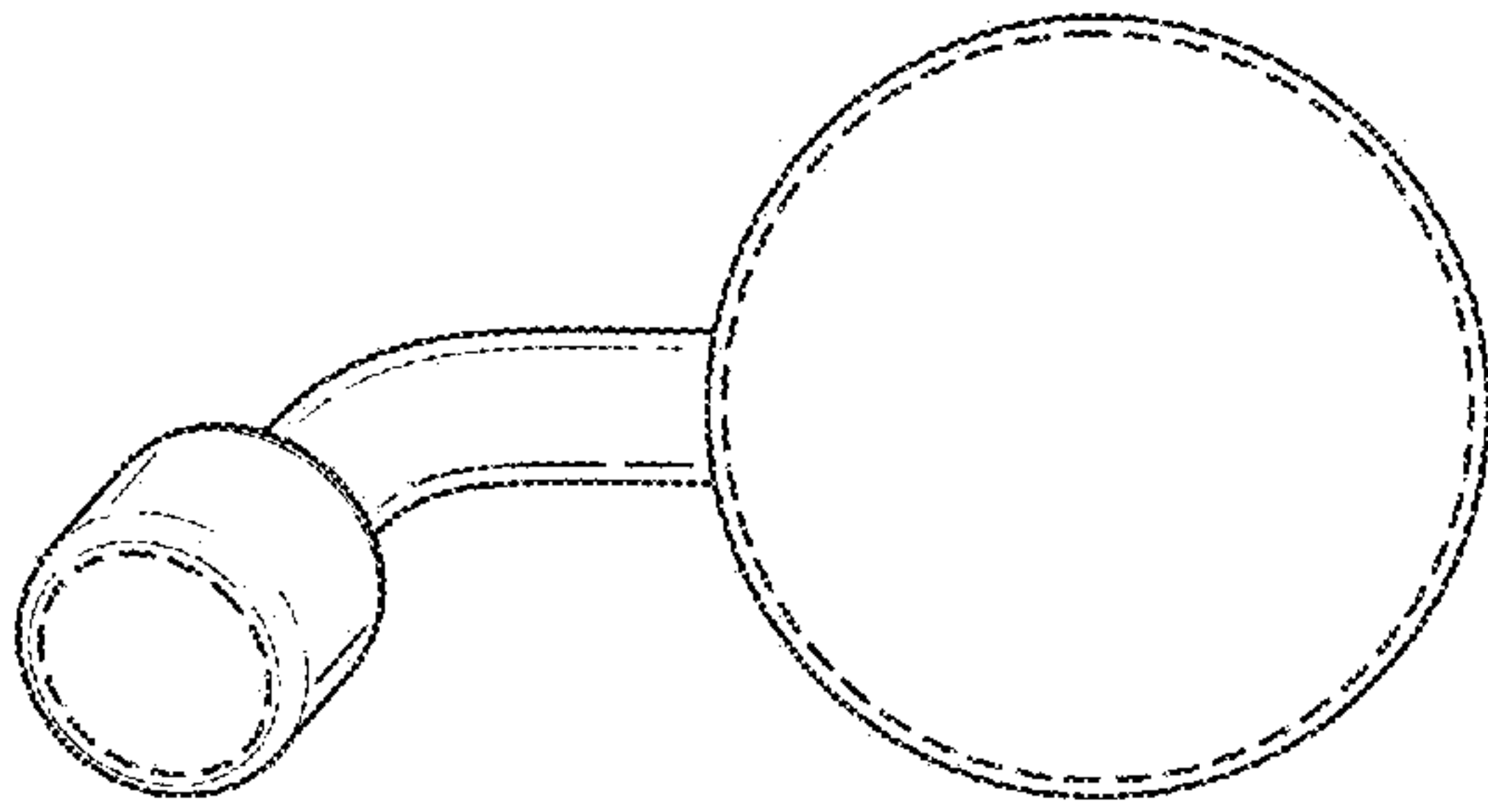


FIG. 2

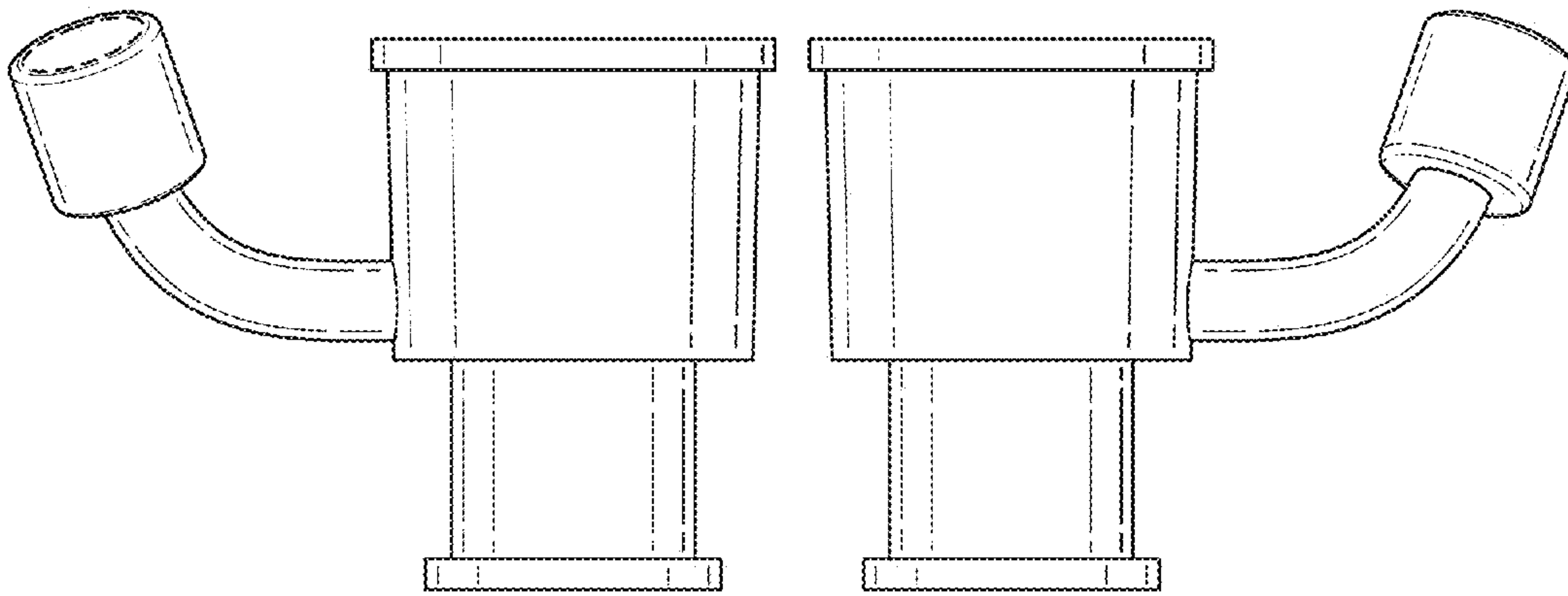


FIG. 3

FIG. 5

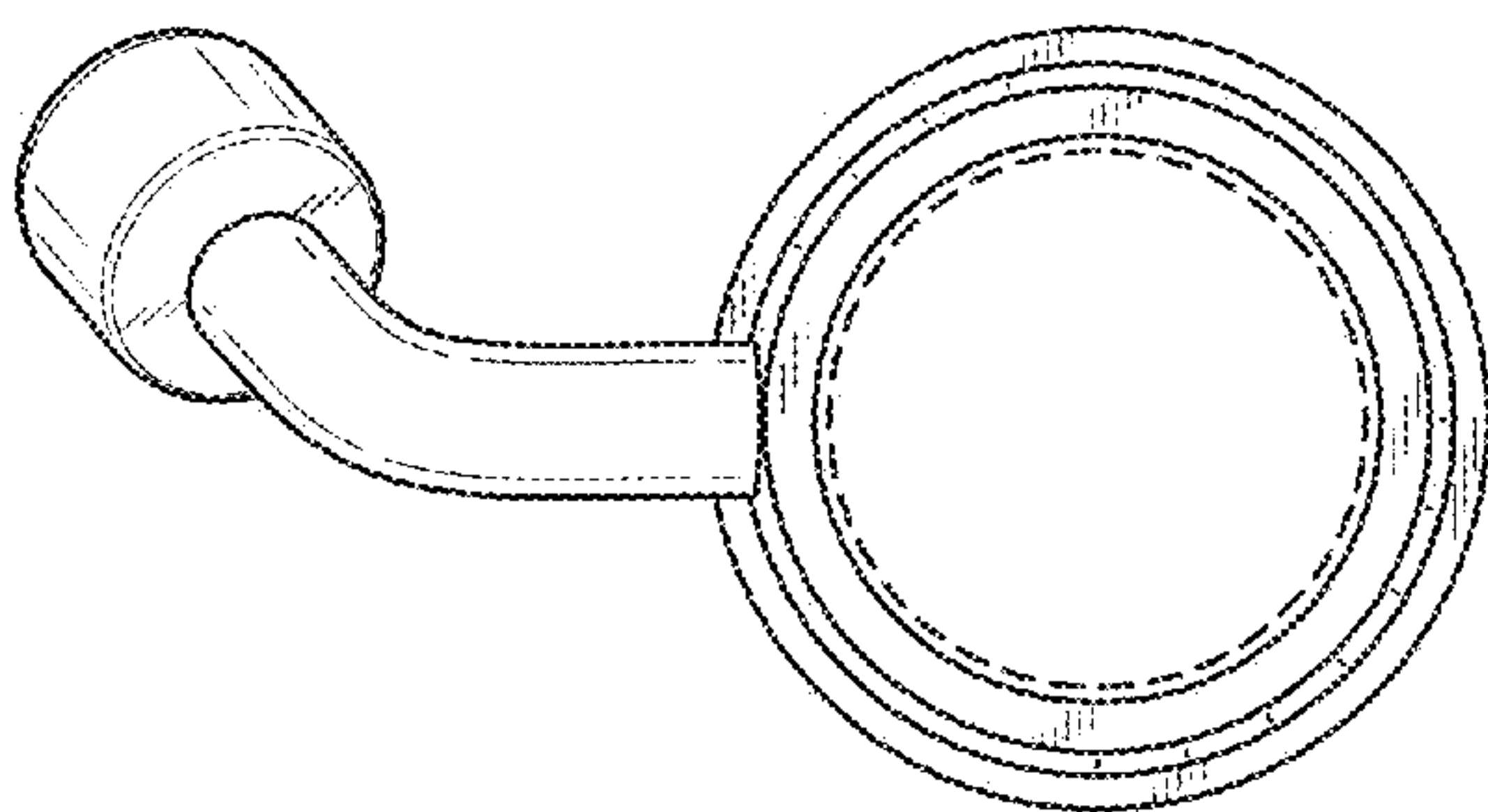


FIG. 4

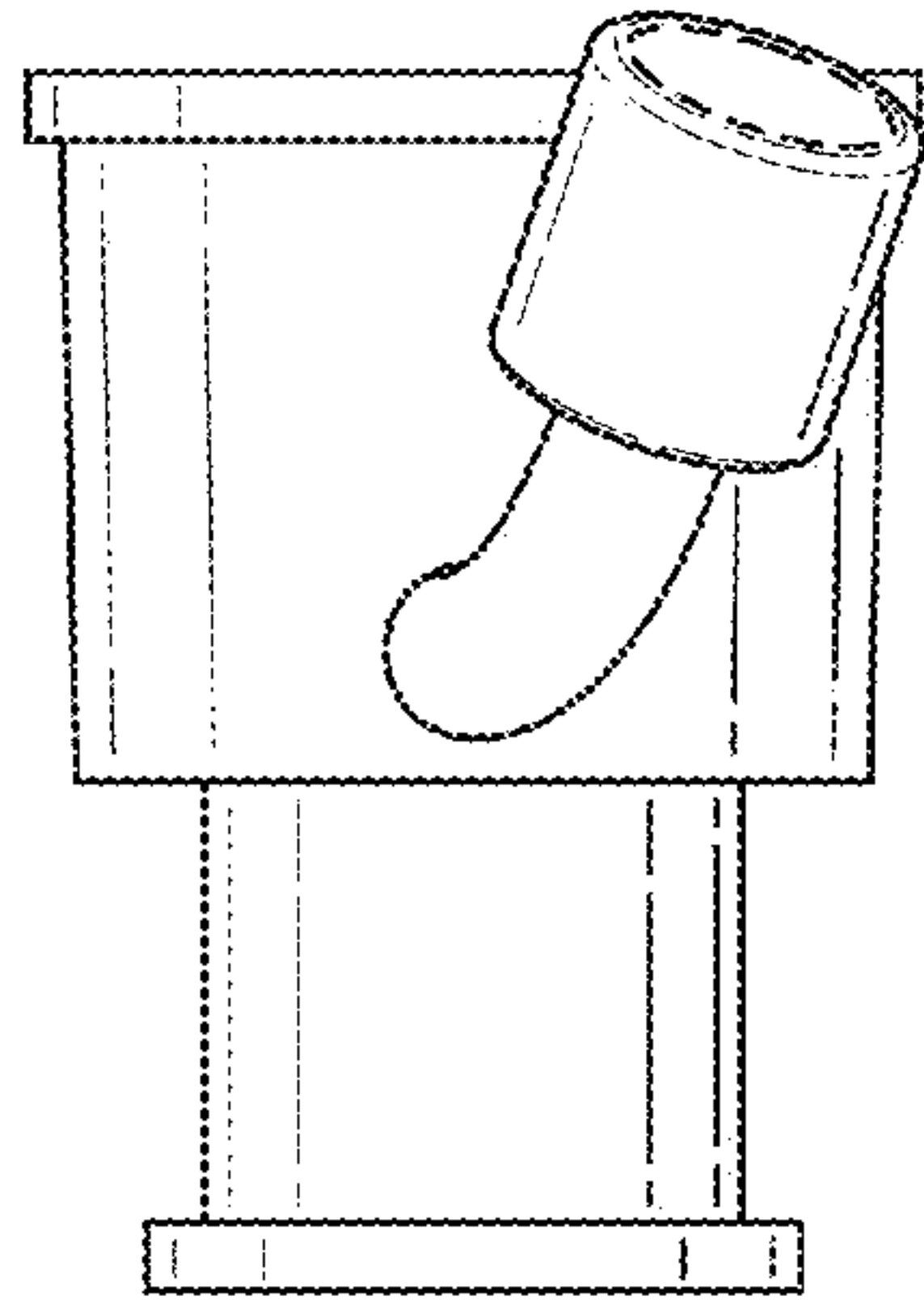


FIG. 6

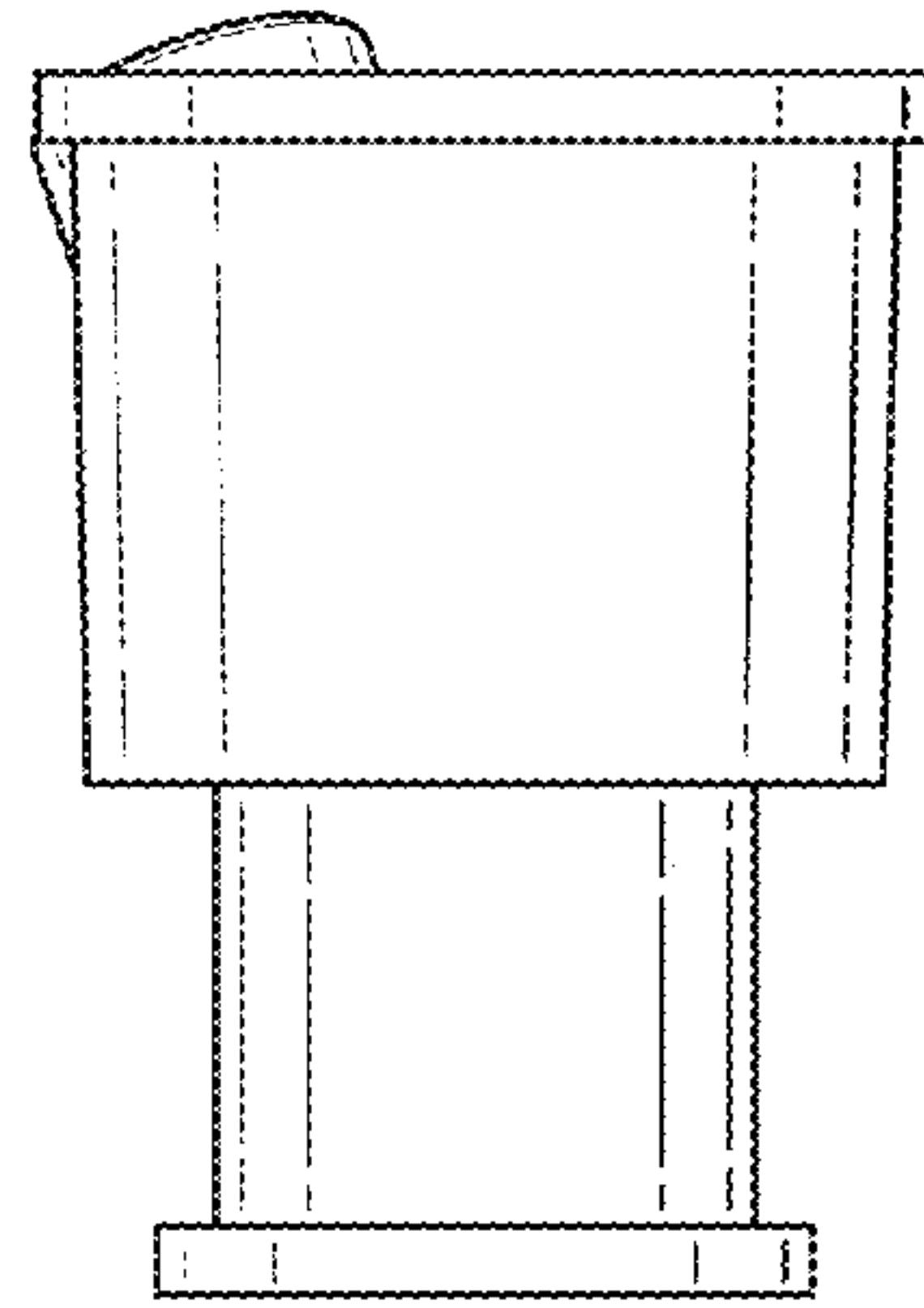


FIG. 7

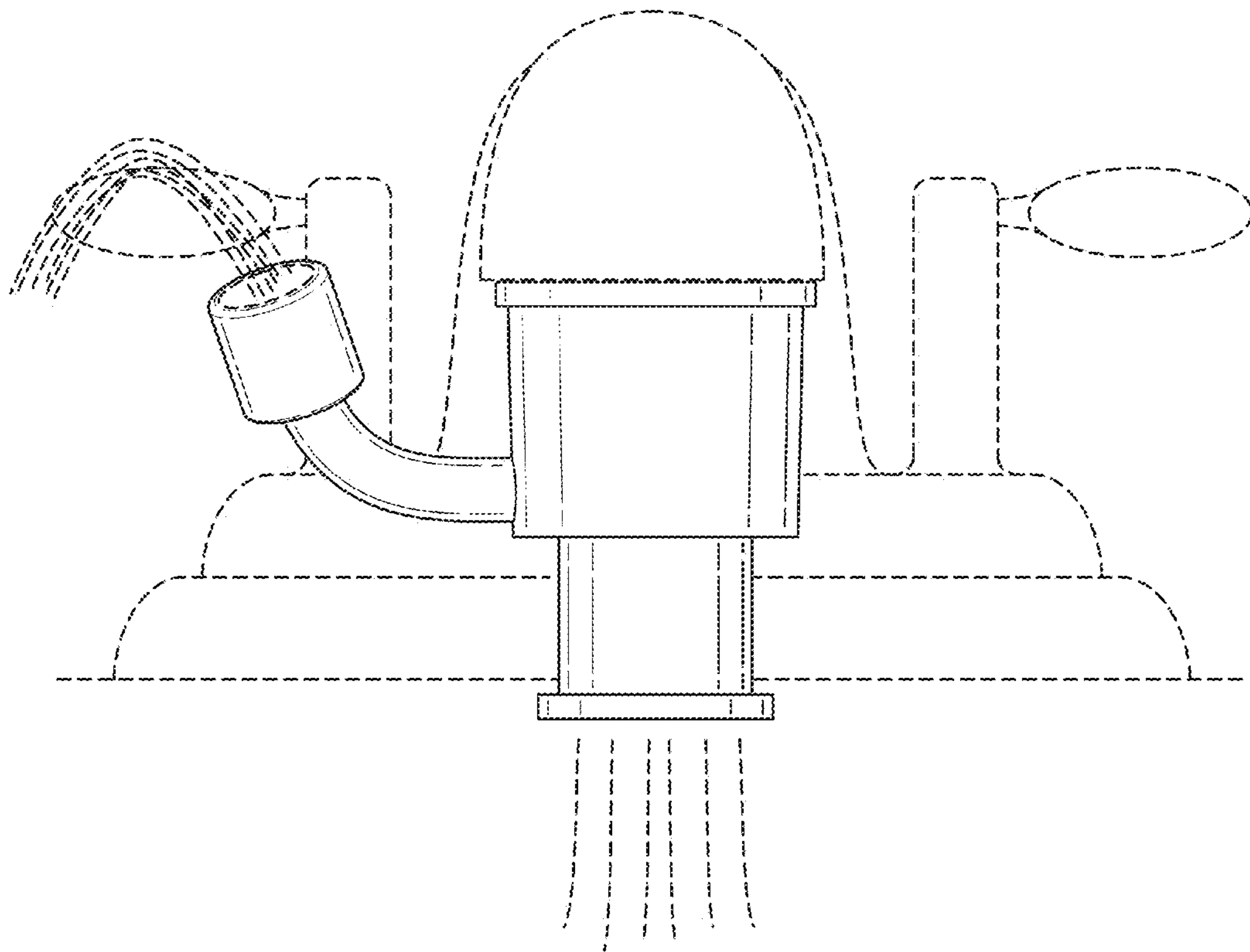


FIG. 8