



US00D716912S

(12) **United States Design Patent**  
**Lee**

(10) **Patent No.:** **US D716,912 S**

(45) **Date of Patent:** **\*\* Nov. 4, 2014**

(54) **THREE WAY HEAD**

(71) Applicant: **Foshan Nanhai Chevan Optical Electronics Co., Ltd.**, Guangdong (CN)

(72) Inventor: **Li-Hwa Lee**, Guangdong (CN)

(73) Assignee: **Foshan Nanhai Chevan Optical Electronics Co., Ltd.**, Carp Industry Area, Dawo, Danzao Town, Nanhai, Foshan, Guangdong (CN)

(\*\*) Term: **14 Years**

(21) Appl. No.: **29/470,532**

(22) Filed: **Oct. 22, 2013**

(30) **Foreign Application Priority Data**

Apr. 23, 2013 (CN) ..... 2013 3 0133563

(51) **LOC (10) Cl.** ..... **23-01**

(52) **U.S. Cl.**  
USPC ..... **D23/233**

(58) **Field of Classification Search**  
USPC ..... D23/233, 234, 235, 236, 237, 244-249;  
251/309, 368, 62, 63, 63.5, 129.1,  
251/129.16, 129.17, 129.18; 137/15.04,  
137/549, 597, 625.4, 625.29, 625.47  
See application file for complete search history.

(56) **References Cited**

**U.S. PATENT DOCUMENTS**

4,580,763 A \* 4/1986 Velan ..... 251/171

5,107,896 A *	4/1992	Otto	.....	137/625.29
D344,785 S *	3/1994	Brown et al.	.....	D23/245
D348,507 S *	7/1994	Plonka	.....	D23/233
5,401,255 A *	3/1995	Sutherland et al.	.....	604/247
5,572,918 A *	11/1996	Grundke et al.	.....	91/417 R
D440,283 S *	4/2001	Cain et al.	.....	D23/244
6,347,640 B1 *	2/2002	Meyer	.....	137/43
D478,965 S *	8/2003	Ferrer Beltran	.....	D23/233
D538,889 S *	3/2007	Marstorp	.....	D23/233
D588,232 S *	3/2009	Giacomini	.....	D23/233
D624,628 S *	9/2010	Haynes	.....	D23/233
D686,298 S *	7/2013	Ching et al.	.....	D23/233
D705,395 S *	5/2014	Hoff et al.	.....	D23/233

\* cited by examiner

*Primary Examiner* — Cynthia Ramirez

(74) *Attorney, Agent, or Firm* — Global IP Services; Tianhua Gu

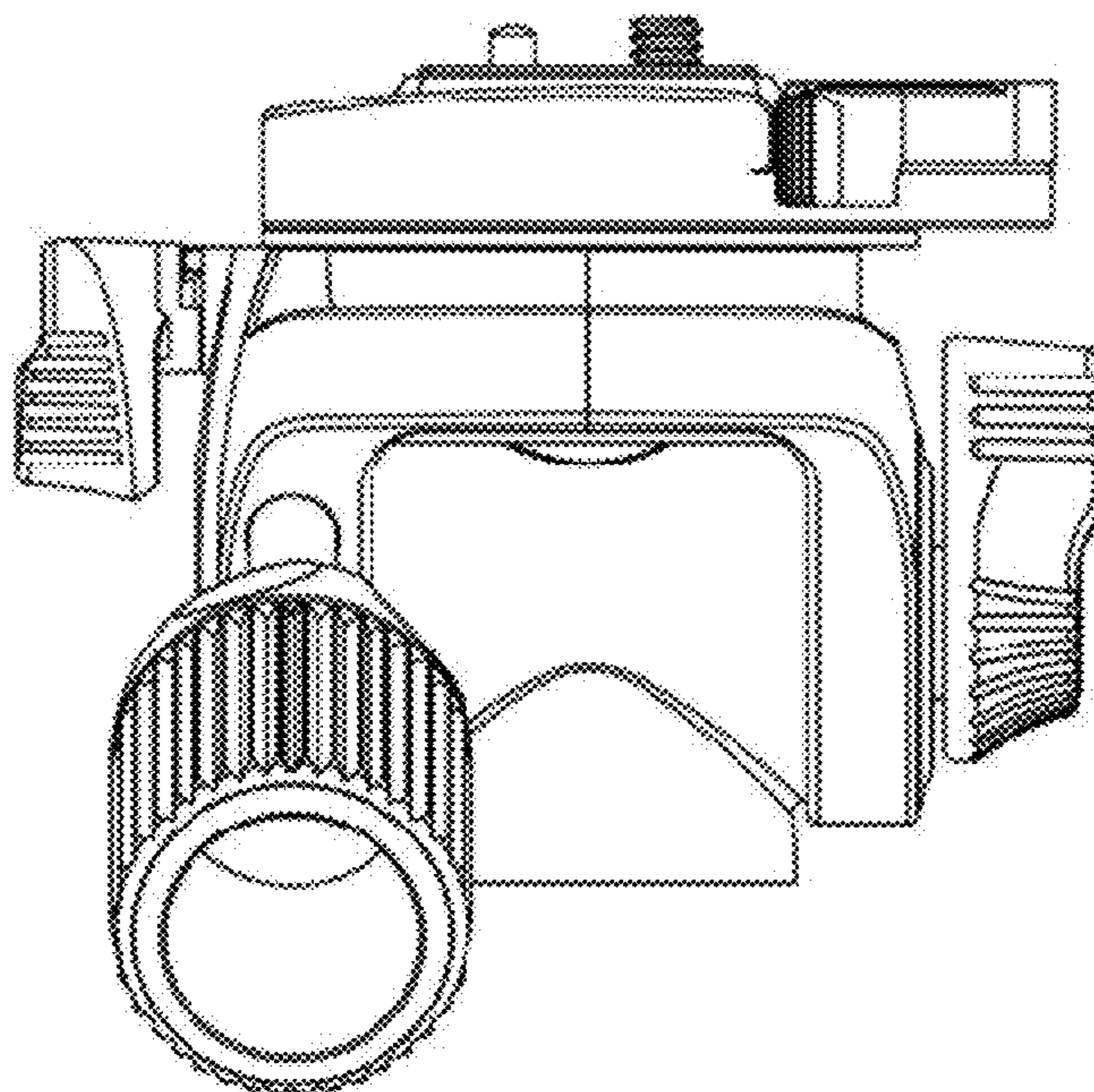
(57) **CLAIM**

The ornamental design for a three way head, as shown and described.

**DESCRIPTION**

FIG. 1 is a front elevation view of a three way head showing my new design;  
FIG. 2 is a rear elevation view thereof;  
FIG. 3 is a left side elevation view thereof;  
FIG. 4 is a right side elevation view thereof;  
FIG. 5 is a top plan view thereof;  
FIG. 6 is a bottom plan view thereof; and,  
FIG. 7 is a left side perspective view thereof.

**1 Claim, 5 Drawing Sheets**



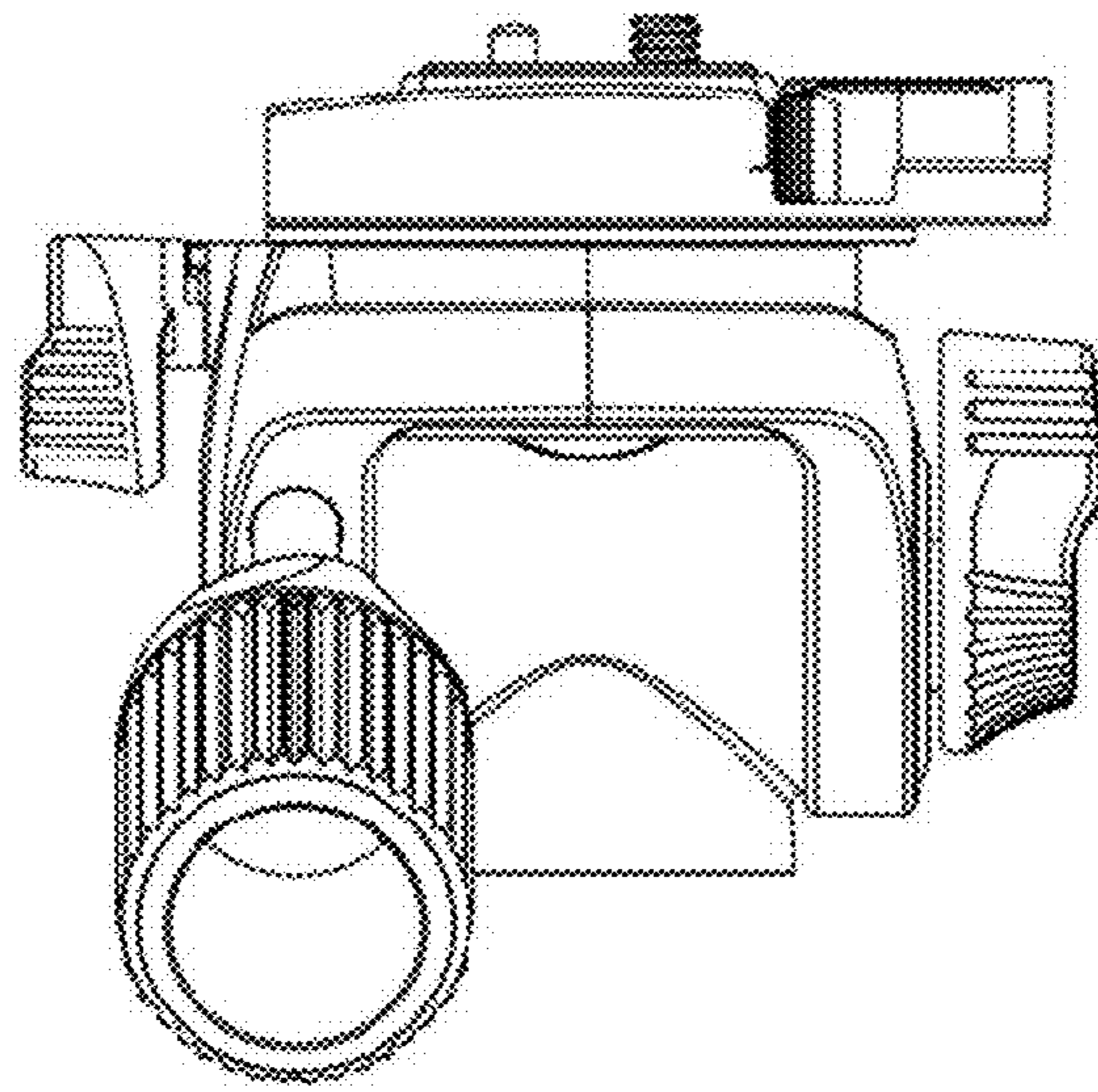


FIG 1

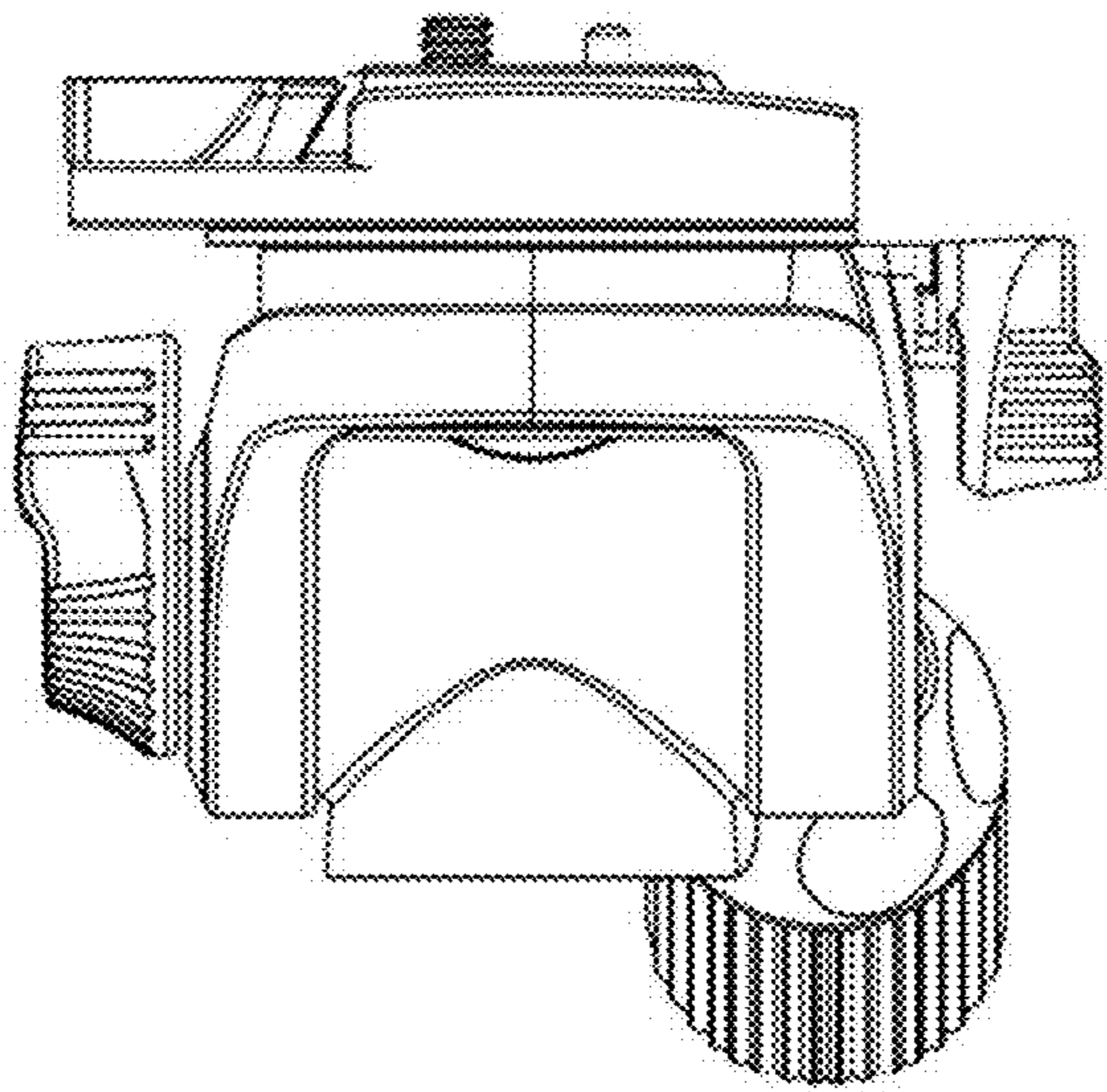


FIG 2



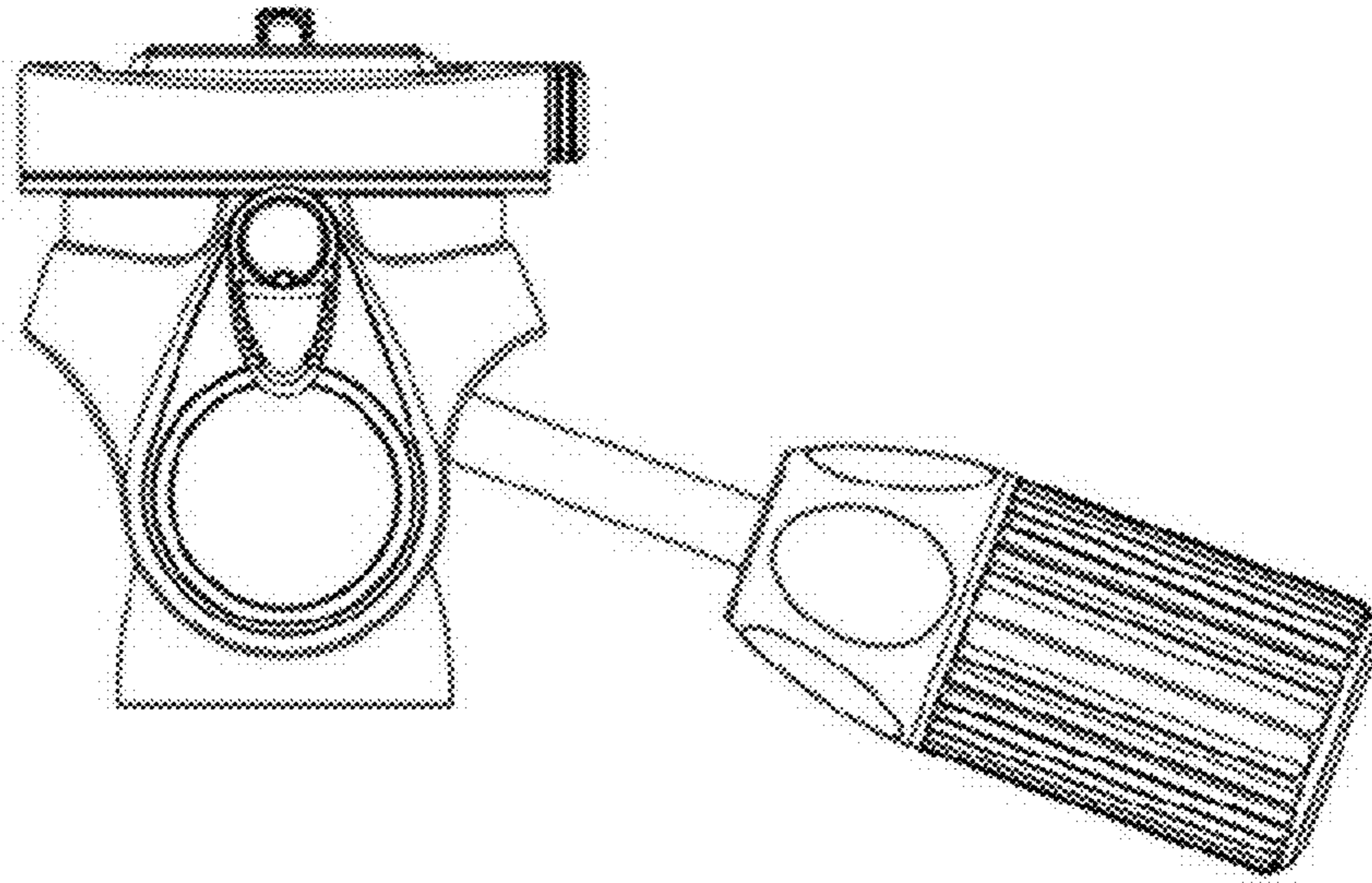


FIG 3

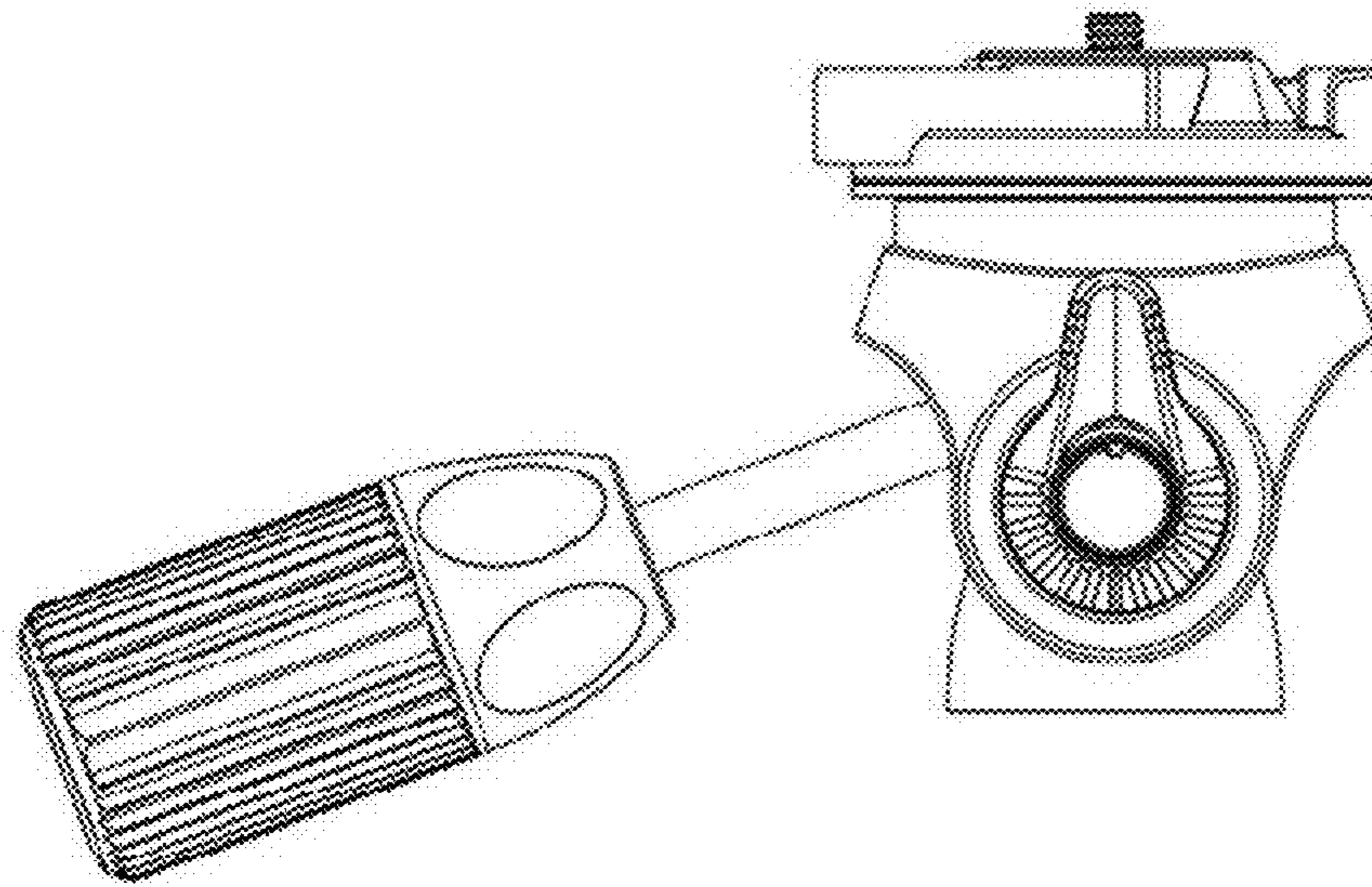


FIG 4

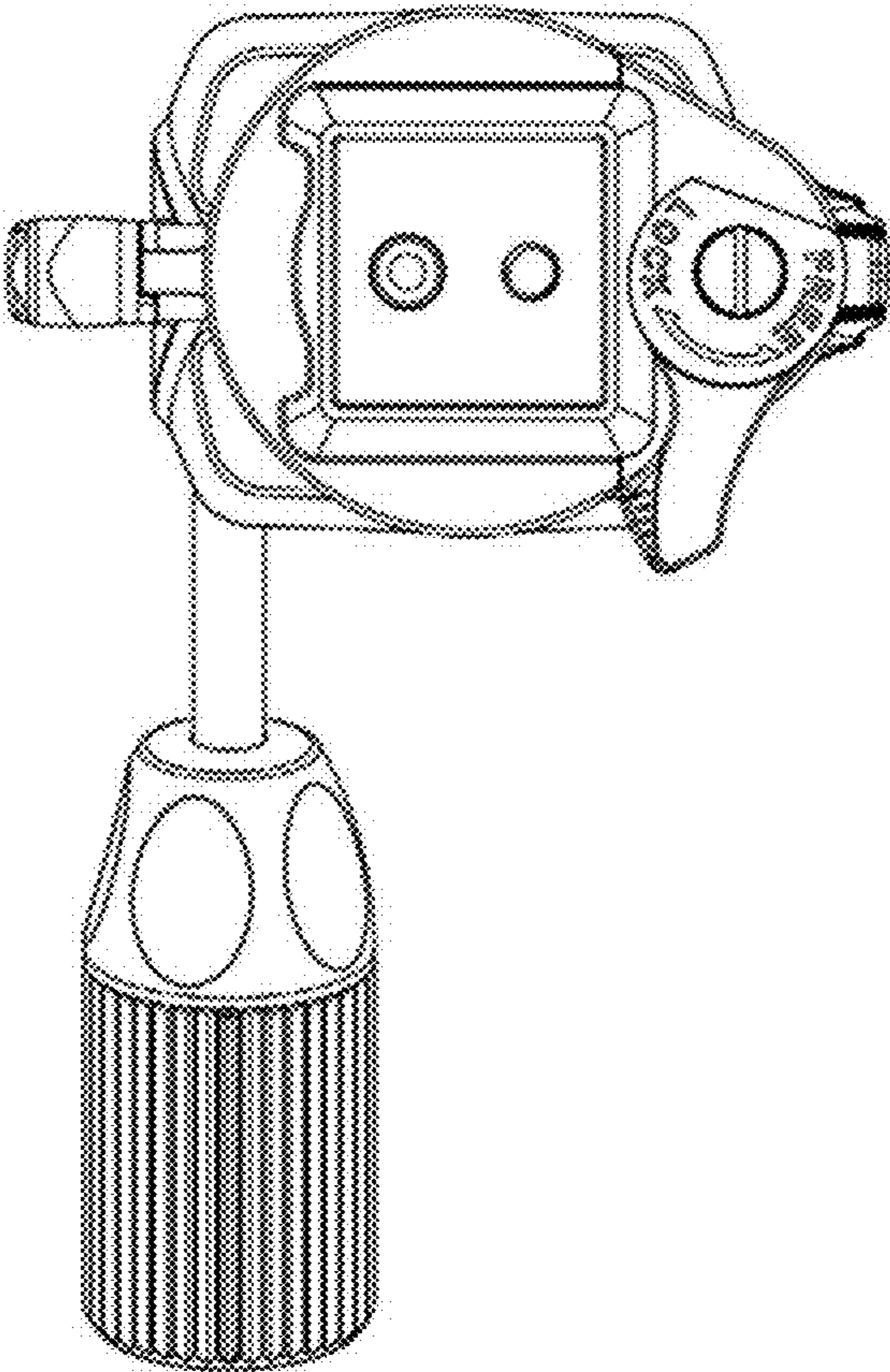


FIG 5

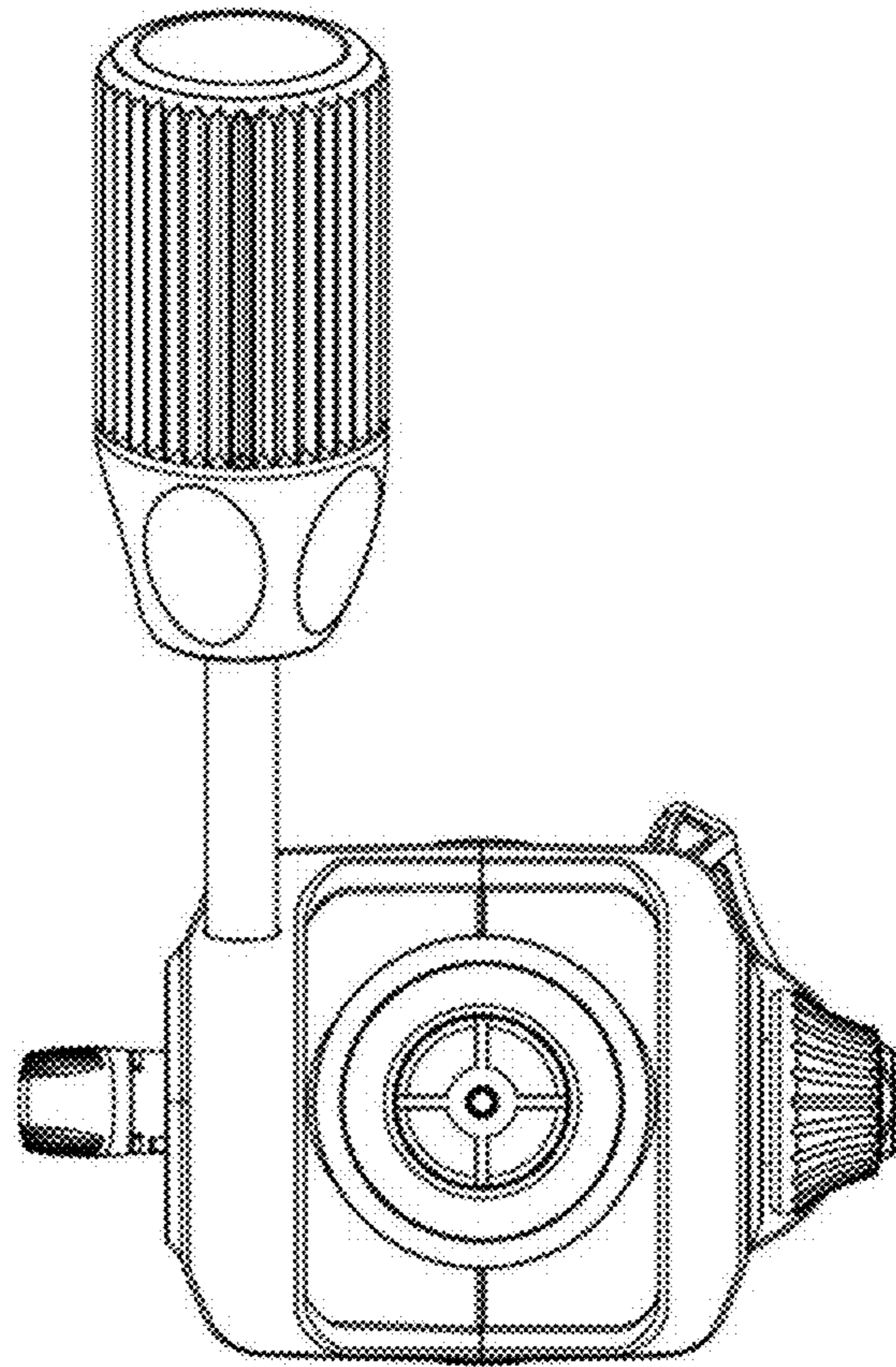


FIG 6



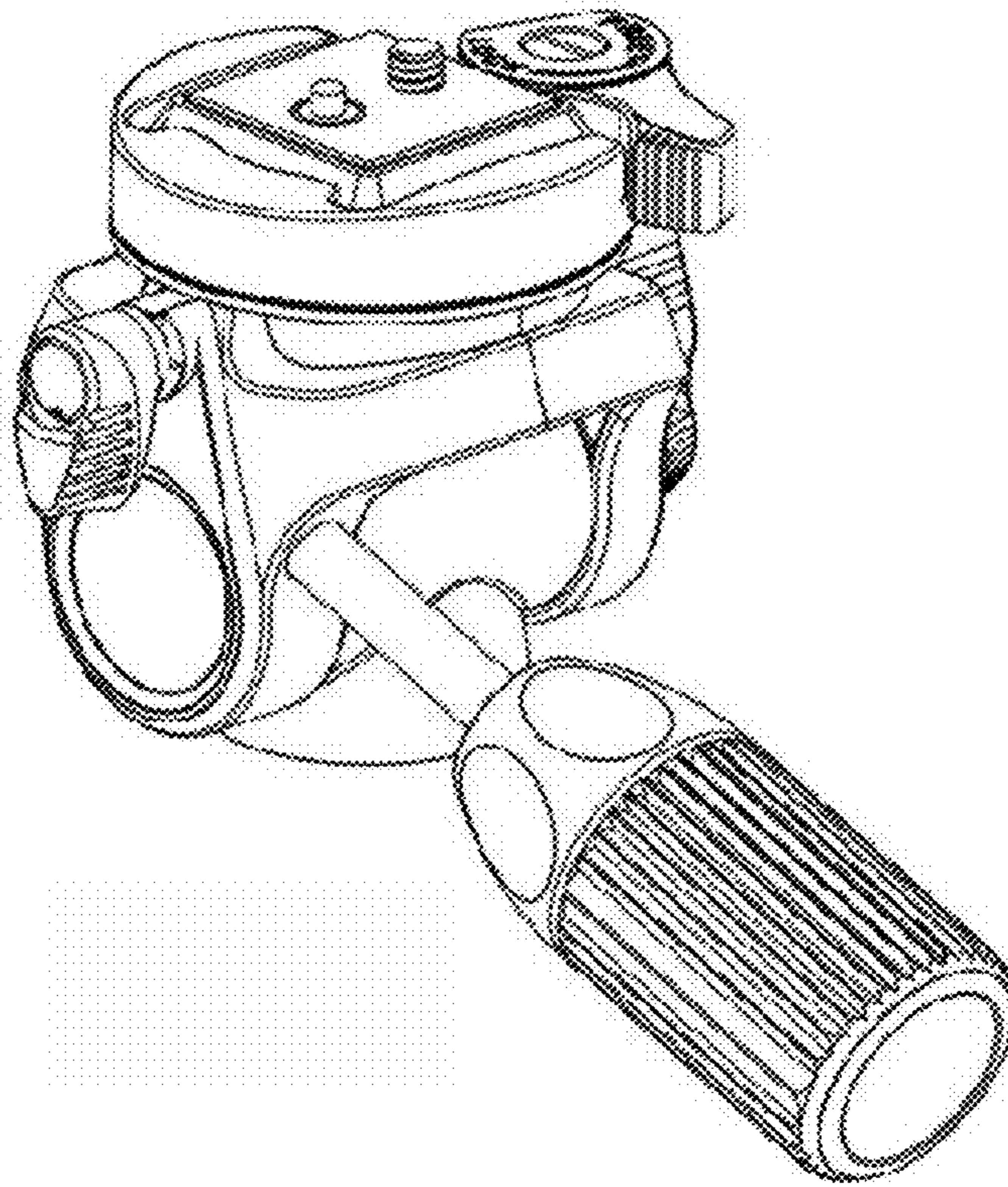


FIG 7